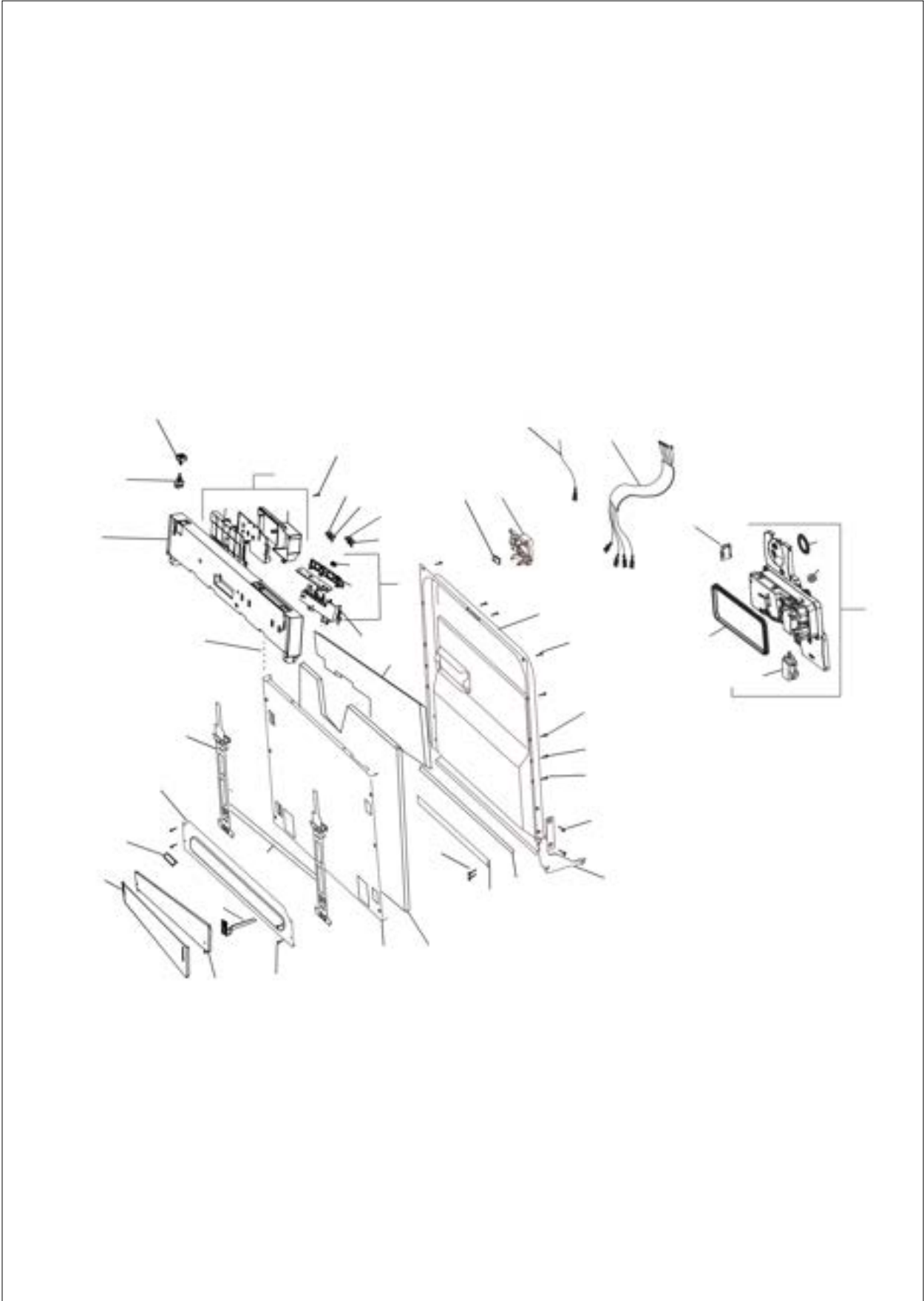


FDW102 Dishwasher

FDW102 Door Parts	1
FDW102 Inner Tub Parts	2
FDW102 MainBody-Parts	3
FDW102 Pump Assy	4
FDW101-102-300 OUTER DOOR PARTS	5
Appendix A:Pages Index	A
Appendix B:Parts Index	B

FDW102 Door Parts



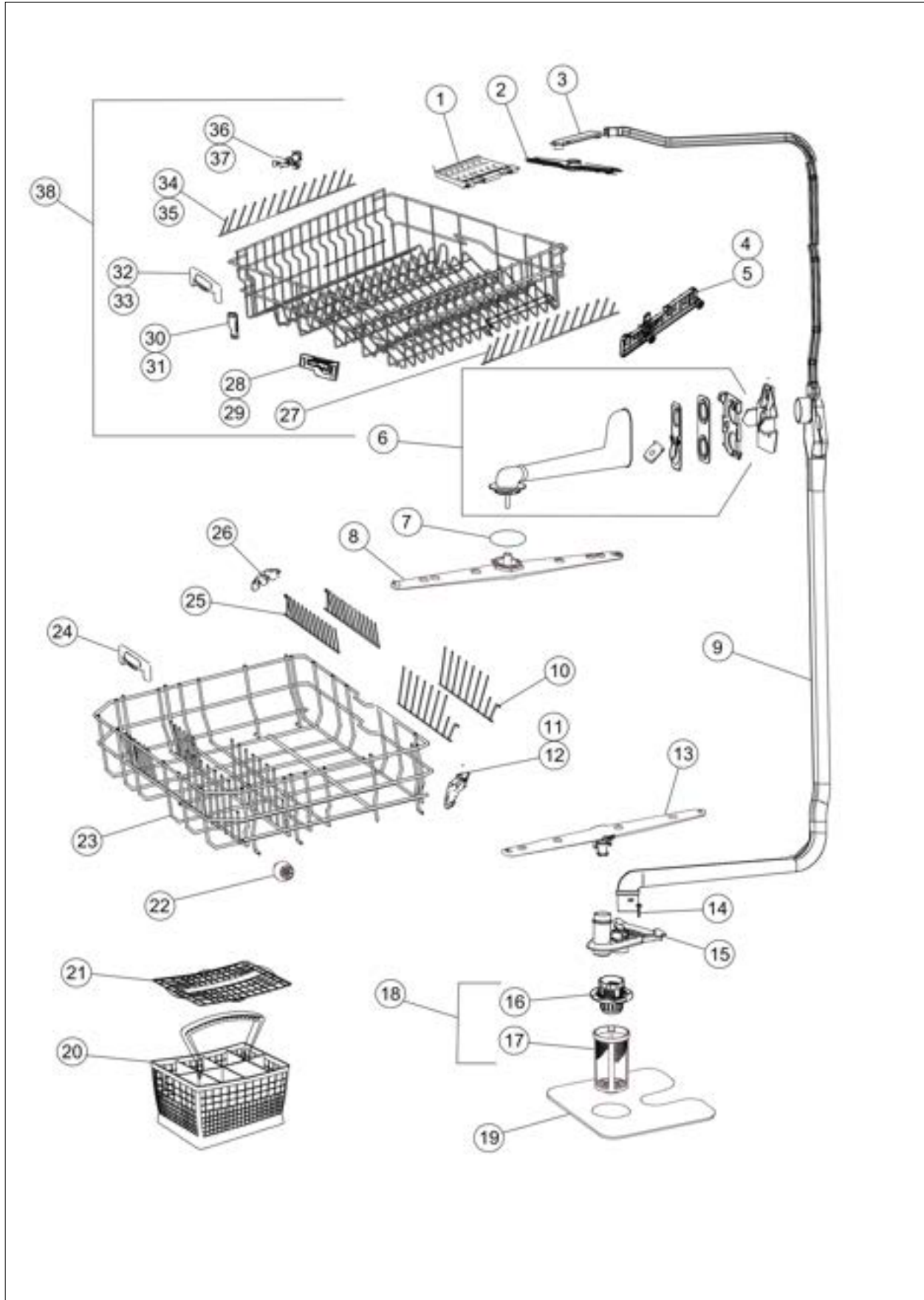


Item	Part No.	Name	Qty	Uom	NOTES
1	039755-000	PANEL GROUP	1	EA	
2	050824-000	rold on off switch	1	EA	
3	050825-000	ANKASTRE ON OFF TUSU STROKE 2.5MM	1	EA	
4	039798-000	CARD HOLDER-FRONT	1	EA	
5	039800-000	CARD HOLDER-BACK	1	EA	
6	039837-000	ELECTRONIC CARD GROUP	1	EA	
7	039879-000	SCREW	4	EA	
8	039852-000	CLAD F5 START STOP BUTTON PRINTED -BLACK	1	EA	
9	039851-000	F5 PRG. SECIM TUSU BASKILI - BLACK	1	EA	
10	050826-000	CLAD F5 HALF LOAD BUTOON PRINTED - BLACK	1	EA	
11	039854-000	CLAD F5 PROGRAM DELAY BUTTON - BLACK	1	EA	
12	059878-000	NEW DOOR SWITCH	1	EA	
13	069402-000	SELFRESETING LOCK GROUP	1	EA	
14	057525-000	GROUND WIRE	1	EA	
15	039838-000	F5 CABLE HARNESS UL	1	EA	
16	039795-000	BUTTON GASKET	2	EA	
17	039797-000	DISPLAY CARD HOLDER-BACK	1	EA	
18	050827-000	DISPLAY CARD GROUP	1	EA	
19	039796-000	DISPLAY CARD HOLDER- FRONT	1	EA	
20	039932-000	DOOR INSULATION	1	EA	
21	039720-000	INNER DOOR GR	1	EA	
22	039914-000	SCREW	6	EA	
23	039916-000	SCREW	4	EA	
24	039912-000	INNER DOOR STOPER	2	EA	
25	039877-000	SCREW	4	EA	
26	039739-000	HINGE ARM RIGHT	1	EA	
27	039738-000	HINGE ARM LEFT	1	EA	
28	039908-000	DOOR SEALING GASKET	1	EA	
29	039935-000	HINGE ARM SUPPORT	1	EA	
30	039917-000	BOLT M4X8 D3731 D3421	21	EA	



Item	Part No.	Name	Qty	Uom	NOTES
31	039903-000	DOOR INSULATION	1	EA	
32	039772-000	B_I OUTER DOOR TALL TUB	1	EA	
33	039946-000	DECORATIVE DOOR FIXATION SUPPORT	1	EA	
34	039876-000	SCREW	22	EA	
35	039924-000	PLINTH ADJUSTMENT SHEET LEFT	1	EA	
36	039925-000	PLINTH ADJUSTMENT SHEET RIGHT	1	EA	
37	060210-000	KICK PLATE SHEET	1	EA	
38	039926-000	KICK PLATE SHEET	1	EA	
39	039928-000	KICK PLATE ADJUSTING LOCKET	1	EA	
40	039773-000	KICK PLATE SHEET	1	EA	
41	039911-000	DECORATIVE DOOR FIXATION SUPPORT	2	EA	
42	039871-000	HOSE	2	EA	
43	040589-000	RINSE AID SWITCH	1	EA	
44	039713-000	RINSE AID GASKET	1	EA	
45	040590-000	COVER SPRING	1	EA	
46	039715-000	DETERGENT DISPENSER GROUP	1	EA	
47	039882-000	THERMOACTUATOR D3731 D3421	1	EA	
48	039714-000	DETERGENT DISPENSER GASKET	1	EA	
NI	041992-000	NAMEPLATE, VIKING, 4.500"	1	EA	
NI	057473-000	PROGRAM END SIGNAL MODULE	1	EA	
Not Shown	NOTE	(INDICATOR LIGHT)		EA	

FDW102 Inner Tub Parts



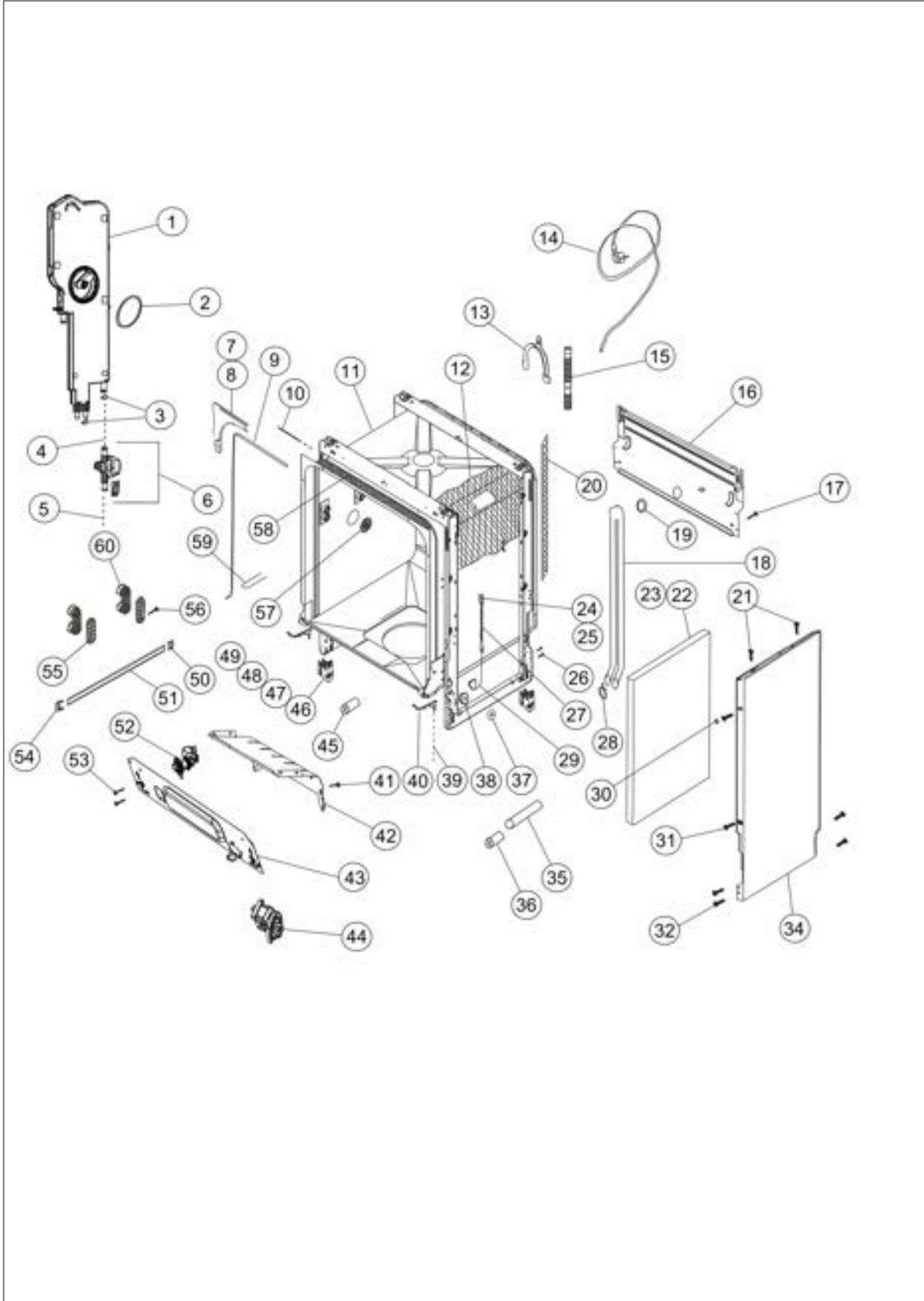


Item	Part No.	Name	Qty	Uom	NOTES
1	039785-000	SHELF GROUP	4	EA	
2	039841-000	CEILING SPRAY GROUP	1	EA	
3	039847-000	CEILING SPRAY ARM FEED PIPE	1	EA	
4	057480-000	UPPER BASKET MECHANISM-LEFT	1	EA	
5	057481-000	UPPER BASKET MECHANISM-RIGHT	1	EA	
6	039862-000	UPPER SPRAY ARM FEED PIPE	1	EA	
7	039870-000	GASKET	1	EA	
8	039892-000	UPPER SPRAY ARM GROUP	1	EA	
9	039840-000	WATER SUPPLY TUBE GROUP	1	EA	
10	039788-000	PLATE HOLDER-LEFT	2	EA	
11	050885-000	FOLDING PART OF BOTTOM BASKET	1	EA	
12	057489-000	FOLDING PART OF BOTTOM BASKET	1	EA	
13	039896-000	LOWER SPRAY ARM GROUP	1	EA	
14	039945-000	SCREW	5	EA	
15	039734-000	FILTER SUPPORT GROUP	1	EA	
16	057474-000	COARSE FILTER	1	EA	
17	039728-000	MICRO FILTER GROUP	1	EA	
18	057475-000	FILTER GROUP	1	EA	
19	039730-000	METAL FILTER GROUP	1	EA	
20	057482-000	CUTLERY BASKET GROUP	1	EA	
21	039791-000	CUTLERY BASKET SEPARATOR	2	EA	
22	039930-000	LOWER BASKET WHEEL GROUP	8	EA	
23	057490-000	LOWER BASKET GROUP	1	EA	
24	050883-000	LOWER BASKET HANDLE	1	EA	
25	039789-000	PLATE HOLDER-RIGHT	2	EA	
26	039855-000	LOWER BASKET CLIPS (LONG)	4	EA	
27	057522-000	CAD ITEM	2	EA	
28	057494-000	GRD FOLDING PART	1	EA	
29	039782-000	FOLDING PART	1	EA	



Item	Part No.	Name	Qty	Uom	NOTES
30	039859-000	BOWL FOLDING PART	1	EA	
31	039860-000	BOWL FOLDING PART CLIPS RIGHT	1	EA	
32	057487-000	UPPER BASKET HANDLE GR	1	EA	Not available online / Call for pricing and availability
33	057486-000	UPPER BASKET HANDLE	1	EA	
34	057519-000	UPPER BASKET SUPPORT WIRE	1	EA	Not available online / Call for pricing and availability
35	050819-000	UPPER BASKET SUPPORT WIRE	1	EA	
36	039861-000	UPPER BASKET CLIPS	11	EA	
37	039783-000	FOLDING PART CLIPS RIGHT	1	EA	
38	057479-000	UPPER BASKET GROUP	1	EA	

FDW102 MainBody-Parts





Item	Part No.	Name	Qty	Uom	NOTES
1	039736-000	REGENERATION UNIT	1	EA	
2	039910-000	AIR FUNNEL GASKET	1	EA	
<p>Comments for Part Num. 039910-000</p> <p>bradleysapplianceservice@shaw.ca on Feb 28, 2017 SUBS TO: 039910-000 AIR FUNNEL GASKET</p>					
3	039958-000	HOSE CLAMP (Ø 15.88)	1	EA	
4	039866-000	HOSE BETWEEN COUNTER AND REGENERATION U.	1	EA	
5	039867-000	HOSE (VALVE-COUNTER)	1	EA	
6	050887-000	COUNTER GROUP	1	EA	
7	039767-000	TOP CORNER BRACKET - LEFT	1	EA	
8	039768-000	TOP CORNER BRACKET - RIGHT	1	EA	
9	039769-000	DOOR SEALING GASKET	1	EA	
10	039904-000	NOISE ISOLATION FOR TUB RAL 7037.	1	EA	
11	039775-000	WELDED MECHANICAL GROUP	1	EA	
12	039774-000	INNER TUB ISOLATION	1	EA	
13	040591-000	Drain Hose Holder	1	EA	
14	039949-000	MAIN POWER PLUG 120V USA	1	EA	
15	039726-000	DRAIN HOSE (88.5" LONG)	1	EA	
<p>Comments for Part Num. 039726-000</p> <p>bradleysapplianceservice@shaw.ca on Jul 15, 2016 IF LONG EXTERIOR DRAIN HOSE IS REQUIRED - FROM BACK OF DISHWASHER TO DRAIN OUTLET - ORDER PART NUMBER: 039726-000 DRAIN HOSE IF SUMP TO BACK OF UNIT DRAIN HOSE IS REQUIRED - INSIDE OF UNIT - ORDER PART NUMBER: 039725-000 SUMP DRAIN HOSE (16 INCHES LONG) Reply by profixappliances@gmail.com on Dec 12, 2017 Thank you for the clarification!</p>					
16	040592-000	REAR BOTTOM SUPPORT	1	EA	
17	039876-000	SCREW	22	EA	
18	039792-000	COLUMN ASSY	1	EA	
19	039918-000	DRAIN HOSE HOLDER 7037	2	EA	

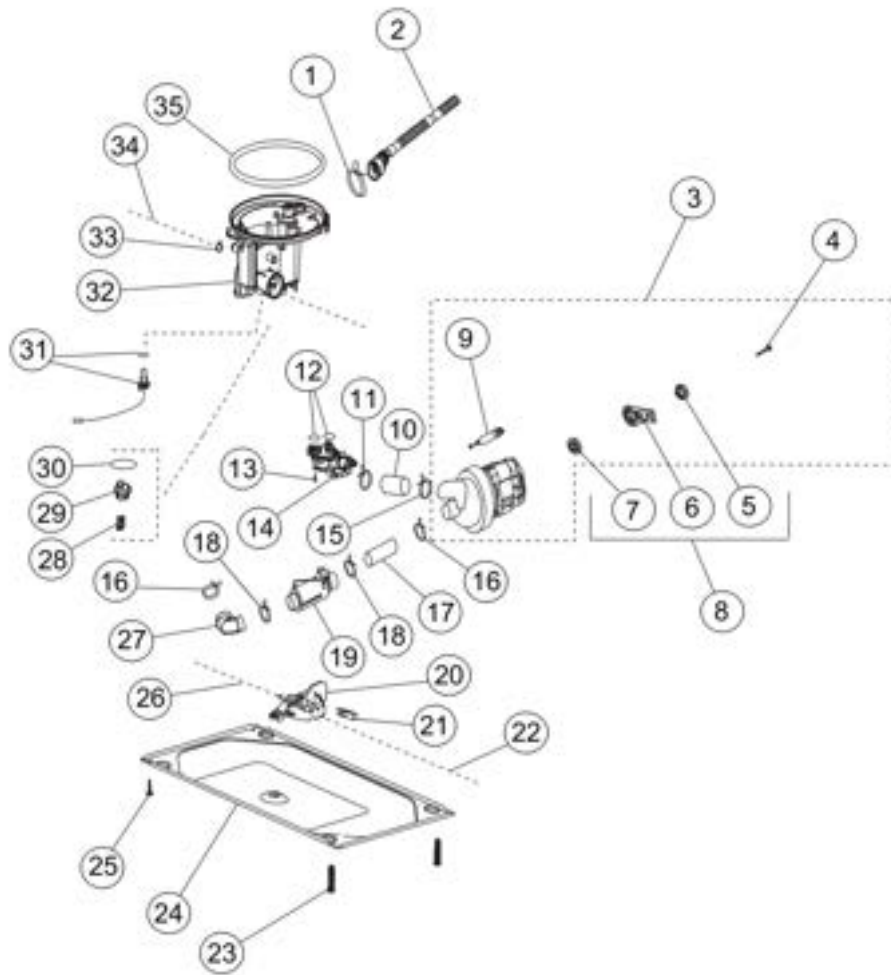


Item	Part No.	Name	Qty	Uom	NOTES
20	039922-000	REAR FRAME COTTON FLEECE	1	EA	
21	039876-000	SCREW	22	EA	
22	057529-000	NOISE ISOLATION	2	EA	
Not Shown	NOTE	SLIDES ON TRIM OF TUB		EA	
23	039760-000	NOISE ISOLATION	2	EA	
Not Shown	NOTE	STICKS ON SIDE OF UNIT		EA	
24	039763-000	DOOR ADJUSTMENT GROUP-LEFT	1	EA	
25	039764-000	DOOR ADJUSTMENT GROUP-RIGHT	1	EA	
26	039917-000	BOLT M4X8 D3731 D3421	21	EA	
27	057495-000	HINGE SPRING	2	EA	
28	039952-000	HOSE CLAMP (Ø 28_7)	2	EA	
29	039894-000	HINGE ROPE GROUP	2	EA	
30	039905-000	SCREW CAP SIDE WALLS	2	EA	
31	039876-000	SCREW	22	EA	
32	057516-000	SIDE PANEL-LEFT	1	EA	
34	057517-000	SIDE PANEL-RIGHT	1	EA	
35	039938-000	REAR ADJUSTABLE DOOR CONNECTION PART	2	EA	
36	039937-000	REAR ADJUSTABLE FOOT CONNECTION PART	2	EA	
37	039883-000	WASHER	2	EA	
38	039893-000	HINGE WHEEL	2	EA	
39	039872-000	HOSE	1	EA	
40	039921-000	OVERFLOW SIPHON	2	EA	
41	039917-000	BOLT M4X8 D3731 D3421	21	EA	
42	039885-000	LOWER SUPPORT - FRONT	1	EA	
43	039773-000	KICK PLATE SHEET	1	EA	
44	039758-000	DRAIN PUMP GROUP	1	EA	
45	039765-000	DOOR ADJUSTING ADAPTOR	2	EA	
46	039943-000	Rear feet Adjustable LEFT BACK	1	EA	
47	039942-000	FOOT GROUP-ADJUSTABLE-LEFT-FRONT	1	EA	



Item	Part No.	Name	Qty	Uom	NOTES
48	039941-000	FOOT GROUP-ADJUSTABLE-RIGHT-BACK	1	EA	
49	039898-000	FOOT SUPPORT PART	1	EA	
50	050782-000	rail cap front back	2	EA	
51	039887-000	RAIL	2	EA	
52	039756-000	WATER INLET VALVE	1	EA	
53	039761-000	SCREW	2	EA	
54	039717-000	RAIL CAP	2	EA	
55	039777-000	RAIL WHEEL HOLDER	4	EA	
56	039766-000	RAIL WHEEL SCREW	8	EA	
57	039909-000	AIR FUNNEL COVER	1	EA	
58	039923-000	DOOR LOCK COTTON FLEECE	1	EA	
59	039901-000	DOOR LOCK HOOK	1	EA	
60	039793-000	RAIL WHEEL GROUP	4	EA	
NI	057530-000	ACCESSORIES	1	EA	
NI	064528-000	LEFT MOUNTING BRACKET	1	EA	
Not Shown	NOTE	TO SECURE UNIT TO CABINET		EA	
NI	064529-000	RIGHT MOUNTING BRACKET	1	EA	
Not Shown	NOTE	TO SECURE UNIT TO CABINET		EA	
NI	057470-000	DUAL SPRING HOLDER TOP PART	1	EA	
NI	057471-000	DUAL SPRING HOLDER LOWER PART	1	EA	

FDW102 Pump Assy





Item	Part No.	Name	Qty	Uom	NOTES
1	039954-000	Hose Clamp	1	EA	
2	039725-000	DRAIN HOSE (16" LONG)	1	EA	
<p>Comments for Part Num. 039725-000</p> <p>profixappliances@gmail.com on Dec 12, 2017</p> <p>Per Bradleysapplianceservice: IF LONG EXTERIOR DRAIN HOSE IS REQUIRED - FROM BACK OF DISHWASHER TO DRAIN OUTLET - ORDER PART NUMBER: 039726-000 DRAIN HOSE</p> <p>IF SUMP TO BACK OF UNIT DRAIN HOSE IS REQUIRED - INSIDE OF UNIT - ORDER PART NUMBER: 039725-000 SUMP DRAIN HOSE (16 INCHES LONG)</p>					
3	039732-000	MOTOR & SPRAY PUMP	1	EA	
4	039915-000	SCREW	1	EA	
5	039890-000	MOTOR FIXING CAP	1	EA	
6	039724-000	MOTOR BRACKET GROUP	1	EA	
7	039897-000	DAMPENING RUBBER	1	EA	
8	039731-000	MOTOR BRACKET GROUP	1	EA	
9	039759-000	CAPACITOR	1	EA	
10	039727-000	HOSE	1	EA	
11	039953-000	HOSE CLAMP.(+ 34_1)	1	EA	
12	039902-000	O-RING (FLOW DIVERTER)	2	EA	
13	039880-000	SCREW	4	EA	
14	039863-000	THREE WAY VALVE	1	EA	
15	039957-000	HOSE CLAMP	2	EA	
16	039955-000	HOSE CLAMP	1	EA	
17	039716-000	PUMP INLET HOSE	1	EA	
18	039955-000	HOSE CLAMP	1	EA	
19	039757-000	FLOW THROUGH HEATER	1	EA	
20	039934-000	OVERFLOW FLOAT GROUP	1	EA	
21	039913-000	MICRO SWITCH	1	EA	
22	039872-000	HOSE	1	EA	
23	039889-000	FOOT GROUP-ADJUSTABLE	4	EA	
24	039886-000	BOTTOM TRAY	1	EA	
25	039876-000	SCREW	22	EA	
26	039873-000	HOSE (OVERFLOW SIPHON TO OVERFLOW FLOAT)	1	EA	



Item	Part No.	Name	Qty	Uom	NOTES
27	039723-000	HOSE BETWEEN SUMP AND HEATER	1	EA	
28	039950-000	TURBIDITY CARD AND LED HOLDER GR	1	EA	
29	039900-000	TURBIDITY FRAME	1	EA	
30	039868-000	O-RING (TURBIDITY)	1	EA	
31	039933-000	NTC GROUP	1	EA	
32	039735-000	SUMP GROUP	1	EA	
33	039951-000	HOSE CLAMP (DIA 17.3)	1	EA	
34	039874-000	HOSE (REGENERATION TO SUMP)	1	EA	
35	039722-000	SUMP GASKET	1	EA	

FDW101-102-300 OUTER DOOR PARTS





Item	Part No.	Name	Qty	Uom	NOTES
1	036189-000	OUTER DOOR ASSY- PART NLA	1	EA	
2	036188-000	DOOR SKIN	1	EA	Not available online / Call for pricing and availability
3	034825-000	HANDLE, DW	1	EA	
4	026965-000	END CAP, ASM, DOOR HANDLE	2	EA	
5	PD010019	BLT-1/4-20X3/8"HEX WASHER SERATED	4	EA	
6	PE010016	LOGO (ALL RANGES) *BK/CHR 307997W	1	EA	
7	PD030008	HEX NUT	2	EA	
8	PD030178	CLIP, DOOR SKIN LOCATOR	2	EA	
NI	PB870209	SOUND ABSORBER, DOOR	1	EA	
NI	023879-000	TRUSS, AB, TORX, #8-18 X 1.75, SS, PASSIVATED	4	EA	



Appendix A:Pages Index

FDW101-102-300 OUTER DOOR PARTS 5
FDW102 Door Parts 1
FDW102 Inner Tub Parts 2
FDW102 MainBody-Parts 3
FDW102 Pump Assy 4



Appendix B:Parts Index

023879-000	5	039772-000	1
026965-000	5	039773-000	1, 3
034825-000	5	039774-000	3
036188-000	5	039775-000	3
036189-000	5	039777-000	3
039713-000	1	039782-000	2
039714-000	1	039783-000	2
039715-000	1	039785-000	2
039716-000	4	039788-000	2
039717-000	3	039789-000	2
039720-000	1	039791-000	2
039722-000	4	039792-000	3
039723-000	4	039793-000	3
039724-000	4	039795-000	1
039725-000	4	039796-000	1
039726-000	3	039797-000	1
039727-000	4	039798-000	1
039728-000	2	039800-000	1
039730-000	2	039837-000	1
039731-000	4	039838-000	1
039732-000	4	039840-000	2
039734-000	2	039841-000	2
039735-000	4	039847-000	2
039736-000	3	039851-000	1
039738-000	1	039852-000	1
039739-000	1	039854-000	1
039755-000	1	039855-000	2
039756-000	3	039859-000	2
039757-000	4	039860-000	2
039758-000	3	039861-000	2
039759-000	4	039862-000	2
039760-000	3	039863-000	4
039761-000	3	039866-000	3
039763-000	3	039867-000	3
039764-000	3	039868-000	4
039765-000	3	039870-000	2
039766-000	3	039871-000	1
039767-000	3	039872-000	3, 4
039768-000	3	039873-000	4
039769-000	3	039874-000	4
		039876-000	1, 3, 3, 3, 4



FDW102 Dishwasher

039877-000	1	039932-000	1
039879-000	1	039933-000	4
039880-000	4	039934-000	4
039882-000	1	039935-000	1
039883-000	3	039937-000	3
039885-000	3	039938-000	3
039886-000	4	039941-000	3
039887-000	3	039942-000	3
039889-000	4	039943-000	3
039890-000	4	039945-000	2
039892-000	2	039946-000	1
039893-000	3	039949-000	3
039894-000	3	039950-000	4
039896-000	2	039951-000	4
039897-000	4	039952-000	3
039898-000	3	039953-000	4
039900-000	4	039954-000	4
039901-000	3	039955-000	4, 4
039902-000	4	039957-000	4
039903-000	1	039958-000	3
039904-000	3	040589-000	1
039905-000	3	040590-000	1
039908-000	1	040591-000	3
039909-000	3	040592-000	3
039910-000	3	041992-000	1
039911-000	1	050782-000	3
039912-000	1	050819-000	2
039913-000	4	050824-000	1
039914-000	1	050825-000	1
039915-000	4	050826-000	1
039916-000	1	050827-000	1
039917-000	1, 3, 3	050883-000	2
039918-000	3	050885-000	2
039921-000	3	050887-000	3
039922-000	3	057470-000	3
039923-000	3	057471-000	3
039924-000	1	057473-000	1
039925-000	1	057474-000	2
039926-000	1	057475-000	2
039928-000	1	057479-000	2
039930-000	2	057480-000	2



057481-000	2
057482-000	2
057486-000	2
057487-000	2
057489-000	2
057490-000	2
057494-000	2
057495-000	3
057516-000	3
057517-000	3
057519-000	2
057522-000	2
057525-000	1
057529-000	3
057530-000	3
059878-000	1
060210-000	1
064528-000	3
064529-000	3
069402-000	1
PB870209	5
PD010019	5
PD030008	5
PD030178	5
PE010016	5