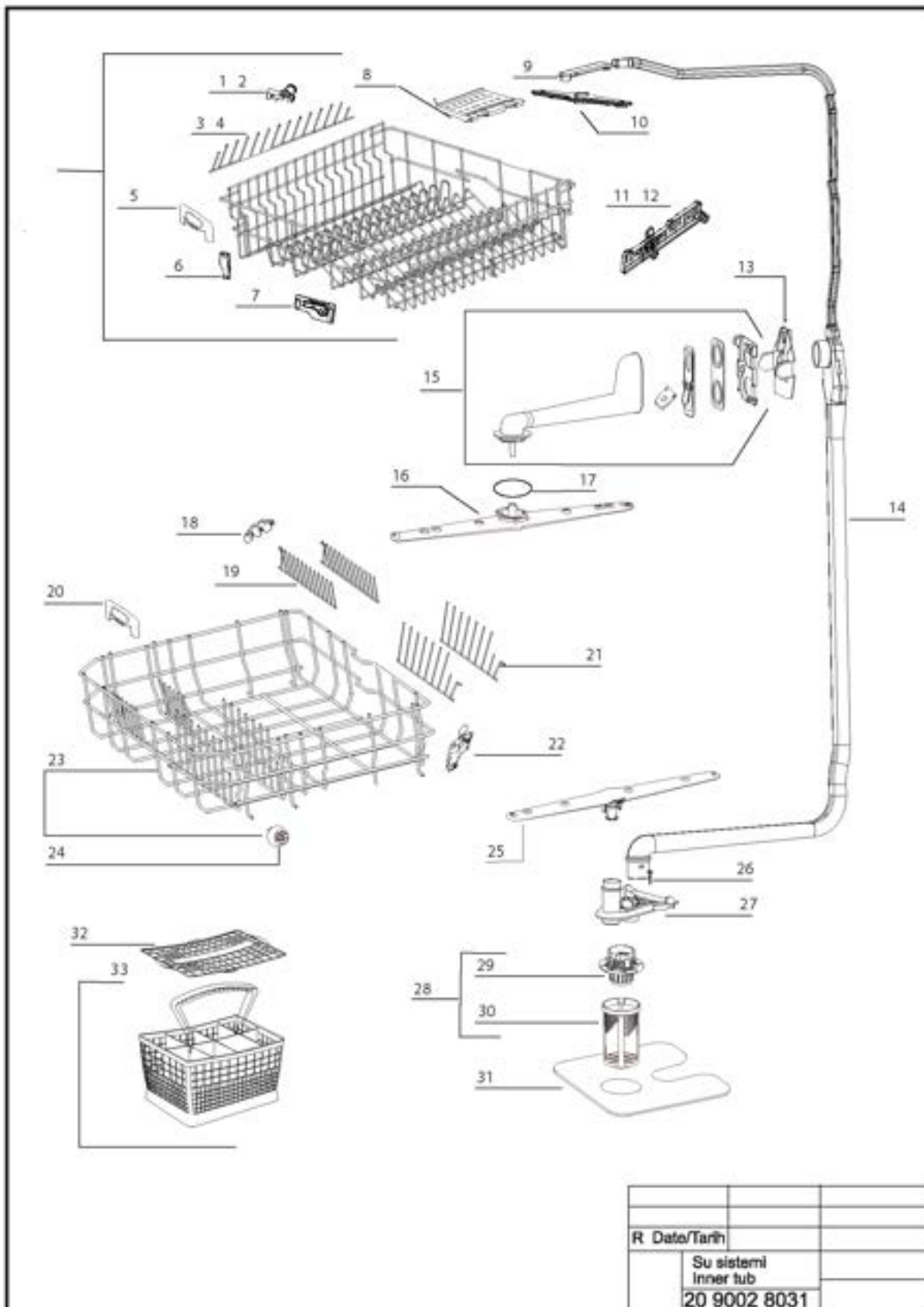


FDW103WS

FDW103WS Inner Tub Parts	1
FDW103WS Chassis Parts	2
FDW103WS Door Parts	3
Appendix A:Pages Index	A
Appendix B:Parts Index	B

FDW103WS Inner Tub Parts



R	Data/Tarih	
	Su sistemi inner tub	
	20 9002 8031	



Item	Part No.	Name	Qty	Uom	NOTES
1	039861-000	UPPER BASKET CLIPS	11	EA	
2	039783-000	FOLDING PART CLIPS RIGHT	1	EA	
3	059870-000	UPPER BASKET SUPPORT WIRE	1	EA	
4	059871-000	UPPER BASKET SUPPORT WIRE	1	EA	
5	057486-000	UPPER BASKET HANDLE	1	EA	
6	039783-000	FOLDING PART CLIPS RIGHT	1	EA	
7	057494-000	GRD FOLDING PART	1	EA	
8	039785-000	SHELF GROUP	4	EA	
9	039847-000	CEILING SPRAY ARM FEED PIPE	1	EA	
10	039841-000	CEILING SPRAY GROUP	1	EA	
11	057480-000	UPPER BASKET MECHANISM-LEFT	1	EA	
12	057481-000	UPPER BASKET MECHANISM-RIGHT	1	EA	
13	050882-000	UPPER SPRAY ARM GUIDE ADJUSTABLE BASKET	1	EA	
14	039840-000	WATER SUPPLY TUBE GROUP	1	EA	
15	039862-000	UPPER SPRAY ARM FEED PIPE	1	EA	
16	060165-000	UPPER SPRAY ARM GROUP	1	EA	
17	039870-000	GASKET	1	EA	
18	057489-000	FOLDING PART OF BOTTOM BASKET	1	EA	
19	039789-000	PLATE HOLDER-RIGHT	2	EA	
20	050883-000	LOWER BASKET HANDLE	1	EA	
21	039788-000	PLATE HOLDER-LEFT	2	EA	
22	050885-000	FOLDING PART OF BOTTOM BASKET	1	EA	
23	057490-000	LOWER BASKET GROUP	1	EA	
24	039930-000	LOWER BASKET WHEEL GROUP	8	EA	
25	060164-000	LOWER SPRAY ARM GROUP	1	EA	
26	039945-000	SCREW	3	EA	



Item	Part No.	Name	Qty	Uom	NOTES
27	060708-000	HALF FILTER SUPPORT ZONE	1	EA	Not available online / Call for pricing and availability
28	060197-000	FILTER GROUP_2	1	EA	
29	057474-000	COARSE FILTER	1	EA	
30	060196-000	MICRO FILTER GROUP_2	1	EA	
31	060198-000	METAL FILTER GROUP	1	EA	
32	039791-000	CUTLERY BASKET SEPARATOR	2	EA	
33	057482-000	CUTLERY BASKET GROUP	1	EA	
34	057479-000	UPPER BASKET GROUP	1	EA	



Item	Part No.	Name	Qty	Uom	NOTES
1	039736-000	REGENERATION UNIT	1	EA	
2	039910-000	AIR FUNNEL GASKET	1	EA	
Comments for Part Num. 039910-000					
bradleysapplianceservice@shaw.ca on Feb 28, 2017					
SUBS TO: 039910-000 AIR FUNNEL GASKET					
3	039958-000	HOSE CLAMP (Ø 15.88)	2	EA	
4	039866-000	HOSE BETWEEN COUNTER AND REGENERATION U.	1	EA	
5	050887-000	COUNTER GROUP	1	EA	
6	039867-000	HOSE (VALVE-COUNTER)	1	EA	
7	059869-000	RAIL WHEEL GROUP	4	EA	Not available online / Call for pricing and availability
8	039777-000	RAIL WHEEL HOLDER	4	EA	
9	039766-000	RAIL WHEEL SCREW	8	EA	
10	050782-000	rail cap front back	2	EA	
11	039887-000	RAIL	2	EA	
12	039901-000	DOOR LOCK HOOK	1	EA	
13	039873-000	HOSE (OVERFLOW SIPHON TO OVERFLOW FLOAT)	1	EA	
14	039767-000	TOP CORNER BRACKET - LEFT	1	EA	
15	039768-000	TOP CORNER BRACKET - RIGHT	1	EA	
16	039769-000	DOOR SEALING GASKET	1	EA	
17	039904-000	NOISE ISOLATION FOR TUB RAL 7037.	1	EA	
18	039923-000	DOOR LOCK COTTON FLEECE	1	EA	
19	050778-000	air funnel cup	1	EA	
20	063286-000	WELDED MECHANICAL GROUP	1	EA	
21	039774-000	INNER TUB ISOLATION	1	EA	
22	040591-000	Drain Hose Holder	1	EA	
23	039726-000	DRAIN HOSE (88.5" LONG)	1	EA	



Item	Part No.	Name	Qty	Uom	NOTES
Comments for Part Num. 039726-000					
bradleysapplianceservice@shaw.ca on Jul 15, 2016					
IF LONG EXTERIOR DRAIN HOSE IS REQUIRED - FROM BACK OF DISHWASHER TO DRAIN OUTLET - ORDER PART NUMBER: 039726-000 DRAIN HOSE					
IF SUMP TO BACK OF UNIT DRAIN HOSE IS REQUIRED - INSIDE OF UNIT - ORDER PART NUMBER: 039725-000 SUMP DRAIN HOSE (16 INCHES LONG)					
Reply by profixappliances@gmail.com on Dec 12, 2017					
Thank you for the clarification!					
24	039949-000	MAIN POWER PLUG 120V USA	1	EA	
25	045092-000	101570 TC SCREW, #6-32 X 1/2 LG, PPH, SS	1	EA	Not available online / Call for pricing and availability
26	039876-000	SCREW	24	EA	
27	039918-000	DRAIN HOSE HOLDER 7037	2	EA	
28	039763-000	DOOR ADJUSTMENT GROUP-LEFT	1	EA	
29	059866-000	DOOR ADJUSTMENT GROUP - RIGHT	1	EA	
30	057470-000	DUAL SPRING HOLDER TOP PART	2	EA	
31	057471-000	DUAL SPRING HOLDER LOWER PART	2	EA	
32	057495-000	HINGE SPRING	4	EA	
33	039917-000	BOLT M4X8 D3731 D3421	21	EA	
34	039894-000	HINGE ROPE GROUP	2	EA	
35	039883-000	WASHER	2	EA	
36	039792-000	COLUMN ASSY	1	EA	
37	057529-000	NOISE ISOLATION	2	EA	
Not Shown	NOTE	SLIDES ON TRIM OF TUB		EA	
38	039760-000	NOISE ISOLATION	2	EA	
Not Shown	NOTE	STICKS ON SIDE OF UNIT		EA	
39	057516-000	SIDE PANEL-LEFT	1	EA	
40	057517-000	SIDE PANEL-RIGHT	1	EA	
41	039905-000	SCREW CAP SIDE WALLS	2	EA	
42	060203-000	SCREW CAP SIDE WALLS	2	EA	



Item	Part No.	Name	Qty	Uom	NOTES
43	060204-000	SCREW CAP SIDE WALLS	2	EA	
44	039952-000	HOSE CLAMP (Ø 28_7)	2	EA	
45	039725-000	DRAIN HOSE (16" LONG)	1	EA	
<p>Comments for Part Num. 039725-000</p> <p>profixappliances@gmail.com on Dec 12, 2017</p> <p>Per Bradleysappliance-service: IF LONG EXTERIOR DRAIN HOSE IS REQUIRED - FROM BACK OF DISHWASHER TO DRAIN OUTLET - ORDER PART NUMBER: 039726-000 DRAIN HOSE</p> <p>IF SUMP TO BACK OF UNIT DRAIN HOSE IS REQUIRED - INSIDE OF UNIT - ORDER PART NUMBER: 039725-000 SUMP DRAIN HOSE (16 INCHES LONG)</p>					
46	039765-000	DOOR ADJUSTING ADAPTOR	2	EA	
47	039921-000	OVERFLOW SIPHON	2	EA	
48	039893-000	HINGE WHEEL	2	EA	
49	039872-000	HOSE	1	EA	
50	039898-000	FOOT SUPPORT PART	4	EA	
51	050779-000	FOOT GROUP-ADJUSTABLE-RIGHT-FRONT	1	EA	
52	039941-000	FOOT GROUP-ADJUSTABLE-RIGHT-BACK	1	EA	
53	039942-000	FOOT GROUP-ADJUSTABLE-LEFT-FRONT	1	EA	
54	039943-000	Rear feet Adjustable LEFT BACK	1	EA	
55	039756-000	WATER INLET VALVE	1	EA	
56	039885-000	LOWER SUPPORT - FRONT	1	EA	
57	039773-000	KICK PLATE SHEET	1	EA	
58	039761-000	SCREW	2	EA	
59	039758-000	DRAIN PUMP GROUP	1	EA	
60	039722-000	SUMP GASKET	1	EA	
61	060723-000	HOSE CLAMP (Ø 16.4)	4	EA	
62	060721-000	SUMP GROUP	1	EA	Not available online / Call for pricing and availability
63	039954-000	Hose Clamp	1	EA	
64	039725-000	DRAIN HOSE (16" LONG)	1	EA	

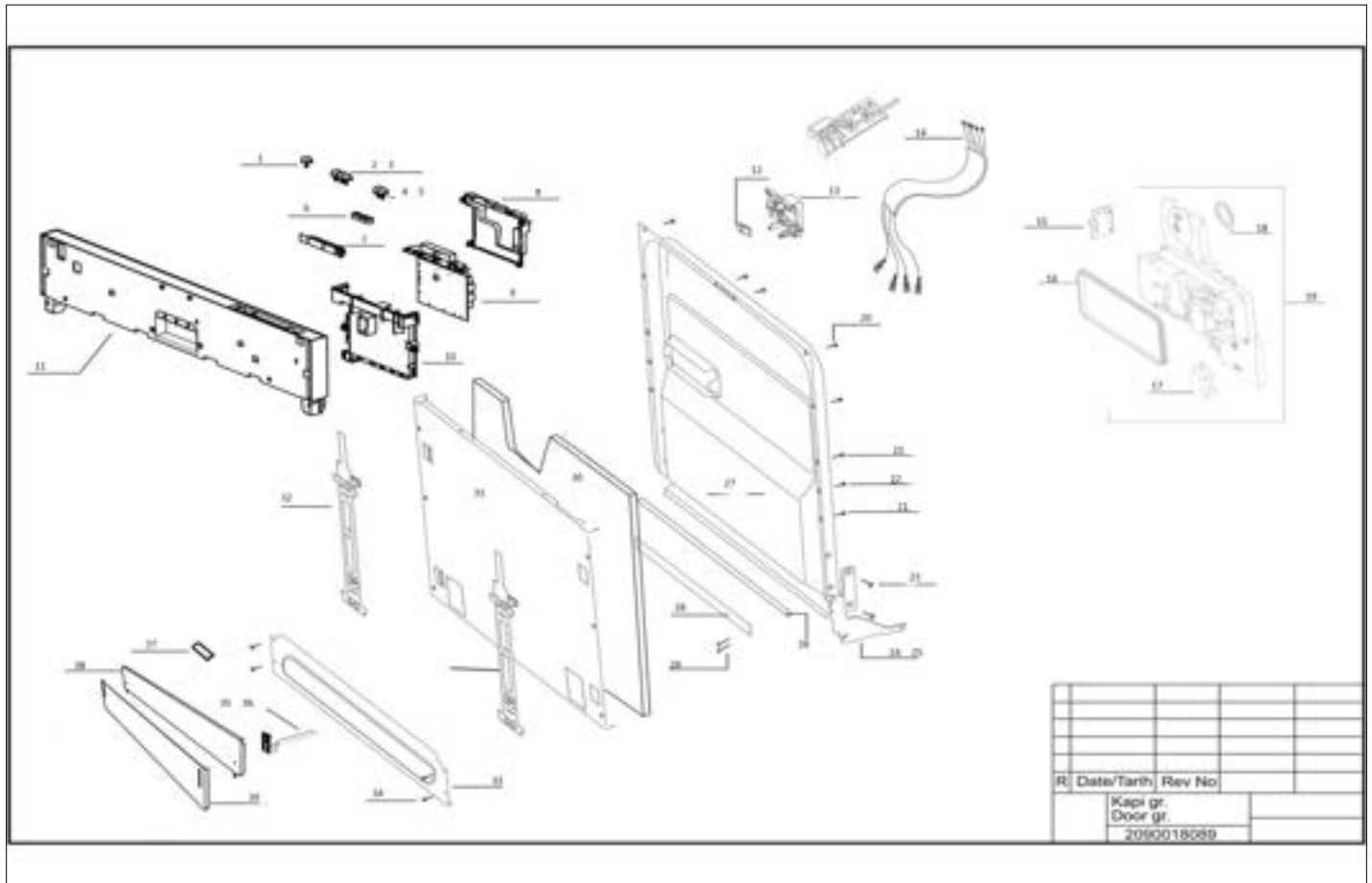


Item	Part No.	Name	Qty	Uom	NOTES
Comments for Part Num. 039725-000					
profixappliances@gmail.com on Dec 12, 2017					
Per Bradleysappliance-service: IF LONG EXTERIOR DRAIN HOSE IS REQUIRED - FROM BACK OF DISHWASHER TO DRAIN OUTLET - ORDER PART NUMBER: 039726-000 DRAIN HOSE					
IF SUMP TO BACK OF UNIT DRAIN HOSE IS REQUIRED - INSIDE OF UNIT - ORDER PART NUMBER: 039725-000 SUMP DRAIN HOSE (16 INCHES LONG)					
65	039933-000	NTC GROUP	1	EA	
66	039953-000	HOSE CLAMP.(+ 34_1)	1	EA	
67	060722-000	QUADRO PUMP OUTLET HOSE VALVE NO	1	EA	Not available online / Call for pricing and availability
68	060182-000	CIRCULATION PUMP DAMPENING RUBBER	3	EA	
69	060181-000	MOTOR BRACKET GROUP	1	EA	
70	060187-000	QUADRO CIRCULATION MOTOR GROUP	1	EA	
71	060720-000	PUMP INLET HOSE	1	EA	Not available online / Call for pricing and availability
72	060167-000	FLOW THROUGH HEATER	1	EA	
73	050799-000	HOSE CLAMP	1	EA	
74	039723-000	HOSE BETWEEN SUMP AND HEATER	1	EA	
75	039873-000	HOSE (OVERFLOW SIPHON TO OVERFLOW FLOAT)	1	EA	
76	039934-000	OVERFLOW FLOAT GROUP	1	EA	
77	039913-000	MICRO SWITCH	1	EA	
78	039872-000	HOSE	1	EA	
79	039886-000	BOTTOM TRAY	1	EA	
80	039889-000	FOOT GROUP-ADJUSTABLE	4	EA	
81	039868-000	O-RING (TURBIDITY)	1	EA	
82	039900-000	TURBIDITY FRAME	1	EA	
83	039950-000	TURBIDITY CARD AND LED HOLDER GR	1	EA	
84	050805-000	WATER SOFTENER CAP GROUP 2	1	EA	



Item	Part No.	Name	Qty	Uom	NOTES
85	050806-000	WATER SOFTENER CAP GASKET	1	EA	
86	057592-000	WATER SOFTENER NUT	1	EA	
87	050807-000	SOFTENER O-RING	1	EA	
88	057585-000	WATER SOFTENER GROUP	1	EA	
89	039753-000	O RING -WATER SOFTENER	2	EA	
90	039865-000	SALT INDICATOR SWITCH	1	EA	Not available online / Call for pricing and availability
91	039937-000	REAR ADJUSTABLE FOOT CONNECTION PART	2	EA	
92	039938-000	REAR ADJUSTABLE DOOR CONNECTION PART	2	EA	
93	061501-000	SUMP CLAMP SCREW TYPE	1	EA	
94	039717-000	RAIL CAP	2	EA	
NI	057472-000	FRAME COVER PART	2	EA	
NI	057530-000	ACCESSORIES	1	EA	
Not Shown	NOTE	INSTALL KIT		EA	
NI	071566-000	MOUNTING BRACKET KIT	1	EA	
Not Shown	NOTE	TO SECURE UNIT TO CABINET		EA	

FDW103WS Door Parts





Item	Part No.	Name	Qty	Uom	NOTES
1	060156-000	ON-OFF BUTTON BLACK	1	EA	
2	060153-000	F1-F2 FUNCTION BUTTON BLACK	1	EA	
3	060155-000	PROGRAME DELAY BUTTON BLACK	1	EA	
4	060180-000	DELAY BUTTON BLACK	1	EA	
5	060155-000	PROGRAME DELAY BUTTON BLACK	1	EA	
6	060192-000	E5-E6 BUTTON GASKET	1	EA	
7	066057-000	E5-E6 BOTTON HOLDER PART	1	EA	
8	060190-000	E5-E6 CARD HOLDER BACK PART	1	EA	
9	059863-000	ELECTRONIC CARD E5	1	EA	
10	060189-000	E5-E6 CARD HOLDER FRONT PART	1	EA	
11	059864-000	PANEL GR FDW103	1	EA	
12	059878-000	NEW DOOR SWITCH	1	EA	
13	069402-000	SELFRESETING LOCK GROUP	1	EA	
14	063287-000	D1 CABLE HARNESS	1	EA	
15	050831-000	RINSE AID GLASS	1	EA	
16	039714-000	DTERGENT DISPENSER GASKET	1	EA	
17	039882-000	THERMOACTUATOR D3731 D3421	1	EA	
18	039713-000	RINSE AID GASKET	1	EA	
19	039715-000	DETERGENT DISPENSER GROUP	1	EA	
20	039914-000	SCREW	6	EA	
21	060711-000	SCREW	4	EA	
22	039912-000	INNER DOOR STOPER	2	EA	
23	039877-000	SCREW	4	EA	
24	039739-000	HINGE ARM RIGHT	1	EA	
25	039738-000	HINGE ARM LEFT	1	EA	
26	039908-000	DOOR SEALING GASKET	1	EA	
27	039720-000	INNER DOOR GR	1	EA	
28	039935-000	HINGE ARM SUPPORT	1	EA	
29	039917-000	BOLT M4X8 D3731 D3421	21	EA	



Item	Part No.	Name	Qty	Uom	NOTES
30	039903-000	DOOR INSULATION	1	EA	
31	059867-000	OUTER DOOR	1	EA	Not available online / Call for pricing and availability
32	060709-000	BOARD CONNECTION PART - LEFT	1	EA	Not available online / Call for pricing and availability
33	039773-000	KICK PLATE SHEET	1	EA	
34	039876-000	SCREW	24	EA	
35	039924-000	PLINTH ADJUSTMENT SHEET LEFT	1	EA	
36	039925-000	PLINTH ADJUSTMENT SHEET RIGHT	1	EA	
37	039928-000	KICK PLATE ADJUSTING LOCKET	1	EA	
38	039926-000	KICK PLATE SHEET	1	EA	
39	060210-000	KICK PLATE SHEET	1	EA	



Appendix A:Pages Index

FDW103WS Chassis Parts	2
FDW103WS Door Parts	3
FDW103WS Inner Tub Parts	1



Appendix B:Parts Index

039713-000	3	039868-000	2
039714-000	3	039870-000	1
039715-000	3	039872-000	2, 2
039717-000	2	039873-000	2, 2
039720-000	3	039876-000	2, 3
039722-000	2	039877-000	3
039723-000	2	039882-000	3
039725-000	2, 2	039883-000	2
039726-000	2	039885-000	2
039736-000	2	039886-000	2
039738-000	3	039887-000	2
039739-000	3	039889-000	2
039753-000	2	039893-000	2
039756-000	2	039894-000	2
039758-000	2	039898-000	2
039760-000	2	039900-000	2
039761-000	2	039901-000	2
039763-000	2	039903-000	3
039765-000	2	039904-000	2
039766-000	2	039905-000	2
039767-000	2	039908-000	3
039768-000	2	039910-000	2
039769-000	2	039912-000	3
039773-000	2, 3	039913-000	2
039774-000	2	039914-000	3
039777-000	2	039917-000	2, 3
039783-000	1, 1	039918-000	2
039785-000	1	039921-000	2
039788-000	1	039923-000	2
039789-000	1	039924-000	3
039791-000	1	039925-000	3
039792-000	2	039926-000	3
039840-000	1	039928-000	3
039841-000	1	039930-000	1
039847-000	1	039933-000	2
039861-000	1	039934-000	2
039862-000	1	039935-000	3
039865-000	2	039937-000	2
039866-000	2	039938-000	2
039867-000	2	039941-000	2
		039942-000	2



039943-000	2	059863-000	3
039945-000	1	059864-000	3
039949-000	2	059866-000	2
039950-000	2	059867-000	3
039952-000	2	059869-000	2
039953-000	2	059870-000	1
039954-000	2	059871-000	1
039958-000	2	059878-000	3
040591-000	2	060153-000	3
045092-000	2	060155-000	3, 3
050778-000	2	060156-000	3
050779-000	2	060164-000	1
050782-000	2	060165-000	1
050799-000	2	060167-000	2
050805-000	2	060180-000	3
050806-000	2	060181-000	2
050807-000	2	060182-000	2
050831-000	3	060187-000	2
050882-000	1	060189-000	3
050883-000	1	060190-000	3
050885-000	1	060192-000	3
050887-000	2	060196-000	1
057470-000	2	060197-000	1
057471-000	2	060198-000	1
057472-000	2	060203-000	2
057474-000	1	060204-000	2
057479-000	1	060210-000	3
057480-000	1	060708-000	1
057481-000	1	060709-000	3
057482-000	1	060711-000	3
057486-000	1	060720-000	2
057489-000	1	060721-000	2
057490-000	1	060722-000	2
057494-000	1	060723-000	2
057495-000	2	061501-000	2
057516-000	2	063286-000	2
057517-000	2	063287-000	3
057529-000	2	066057-000	3
057530-000	2	069402-000	3
057585-000	2	071566-000	2
057592-000	2		