

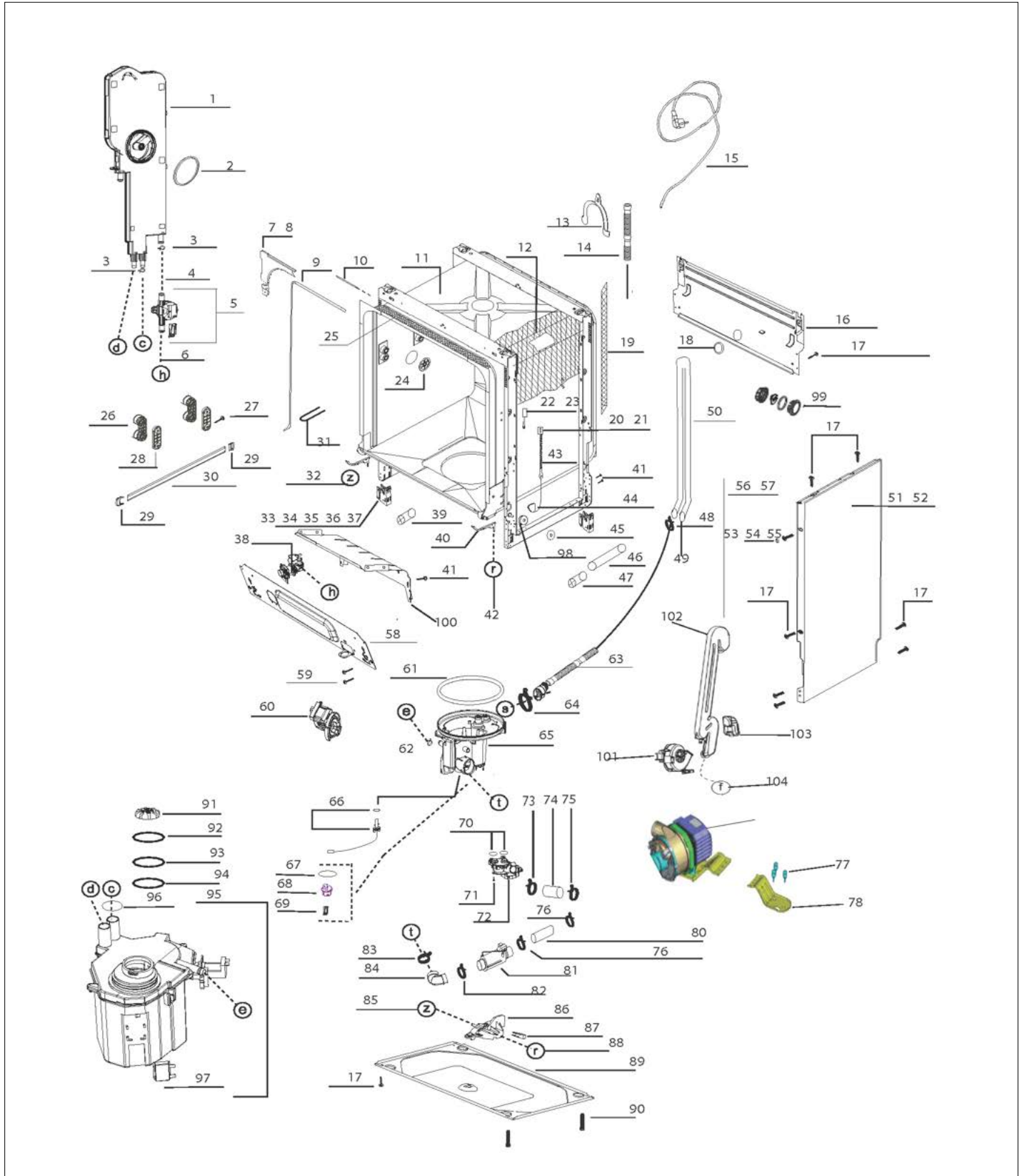
# **FDW302WS**

**BI DISHWASHER - CUSTOM PANEL WATER  
SOFTENER**

FDW302WS Chassis Parts .....	1
FDW302WS Door Parts .....	2
FDW302WS Washer System Parts .....	3
Appendix A:Pages Index .....	A
Appendix B:Parts Index .....	B

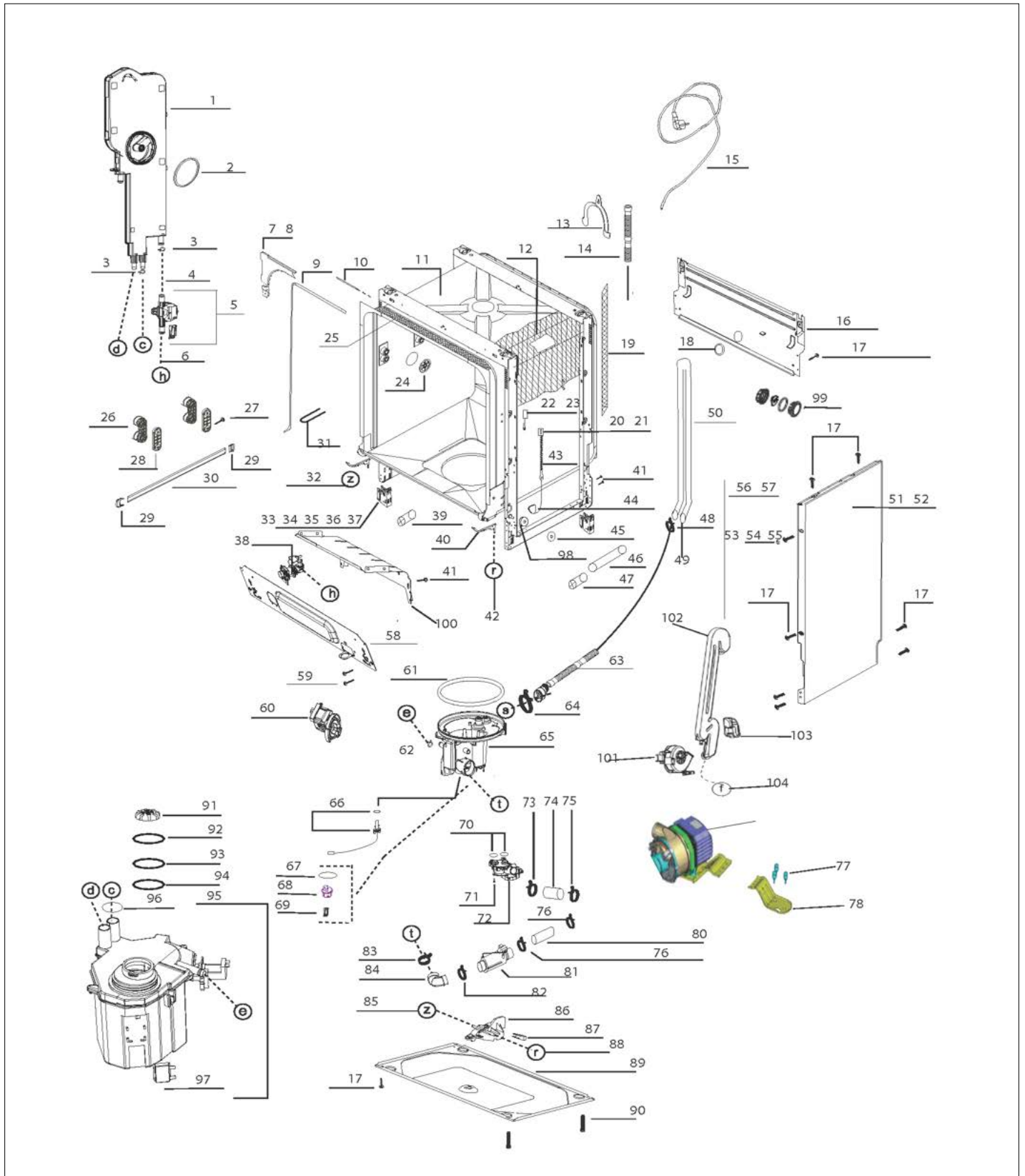


FDW302WS Chassis Parts

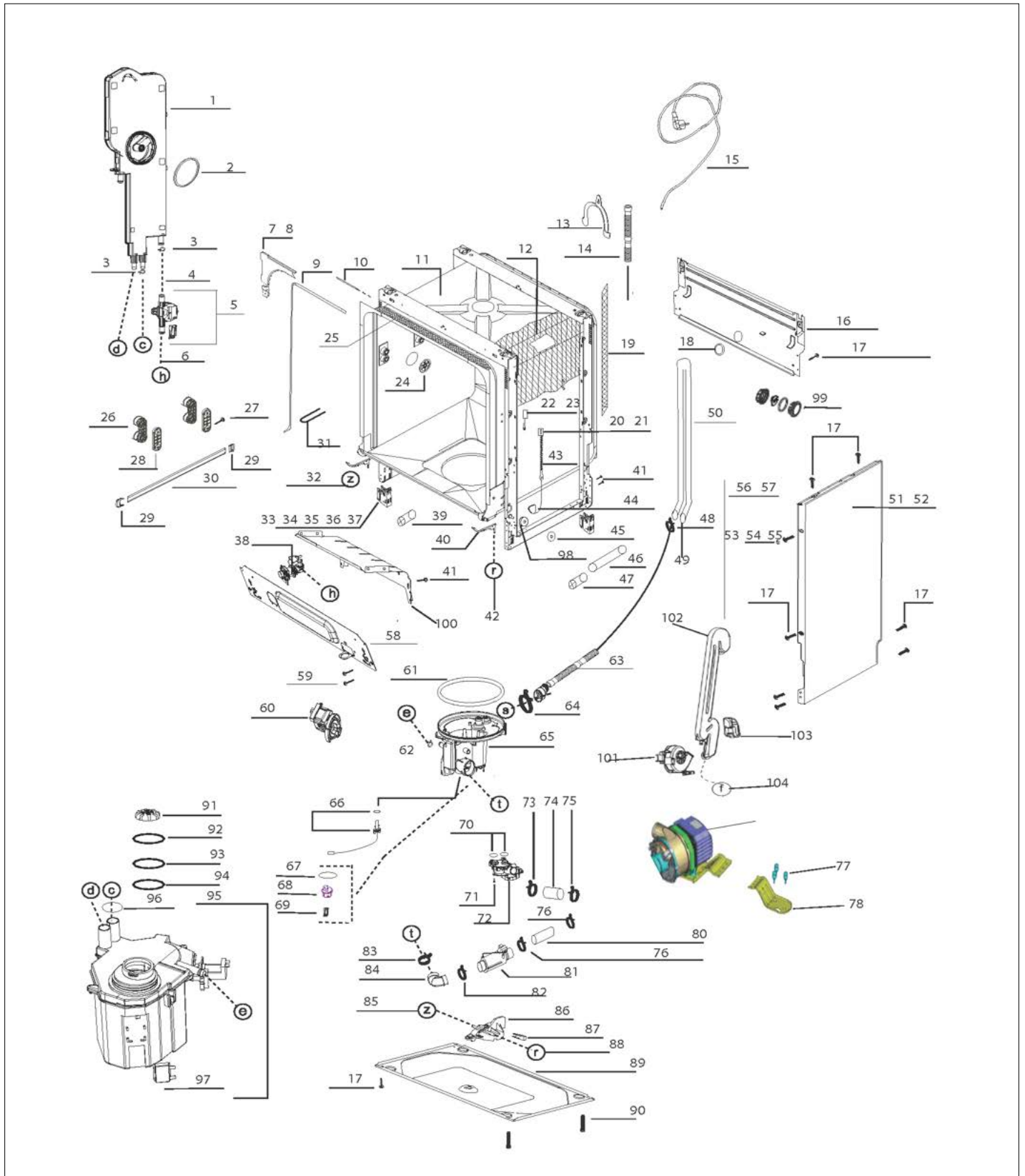




Item	Part No.	Name	Qty	Uom	NOTES
1	050775-000	REGENERATION UNIT	1	EA	
2	039910-000	AIR FUNNEL GASKET	1	EA	
<p>Comments for Part Num. 039910-000</p> <p>bradleysapplianceservice@shaw.ca on Feb 28, 2017  SUBS TO: 039910-000 AIR FUNNEL GASKET</p>					
3	039958-000	HOSE CLAMP (Ø 15.88)	2	EA	
4	039866-000	HOSE BETWEEN COUNTER AND REGENERATION U.	1	EA	
5	050887-000	COUNTER GROUP	1	EA	
6	039867-000	HOSE (VALVE-COUNTER)	1	EA	
7	039767-000	TOP CORNER BRACKET - LEFT	1	EA	
8	039768-000	TOP CORNER BRACKET - RIGHT	1	EA	
9	039769-000	DOOR SEALING GASKET	1	EA	
10	060202-000	NOISE ISOLATION FOR TUB	1	EA	
11	060168-000	STRUCTURE GROUP	1	EA	
12	050777-000	INNER TUB ISOLATION (TUB INSULATION)	1	EA	
13	039958-000	HOSE CLAMP (Ø 15.88)	1	EA	
14	039725-000	DRAIN HOSE	1	EA	
<p>Comments for Part Num. 039725-000</p> <p>profixappliances@gmail.com on Dec 12, 2017  Per Bradleysapplianceservice: IF LONG EXTERIOR DRAIN HOSE IS REQUIRED - FROM BACK OF DISHWASHER TO DRAIN OUTLET - ORDER PART NUMBER: 039726-000 DRAIN HOSE  IF SUMP TO BACK OF UNIT DRAIN HOSE IS REQUIRED - INSIDE OF UNIT - ORDER PART NUMBER: 039725-000 SUMP DRAIN HOSE (16 INCHES LONG)</p>					
15	039949-000	MAIN POWER PLUG 120V USA	1	EA	
16	050891-000	REAR BOTTOM SUPPORT	1	EA	
17	060711-000	SCREW	11	EA	
18	039918-000	DRAIN HOSE HOLDER 7037	2	EA	
19	060157-000	FELT	1	EA	
20	057470-000	DUAL SPRING HOLDER TOP PART	2	EA	



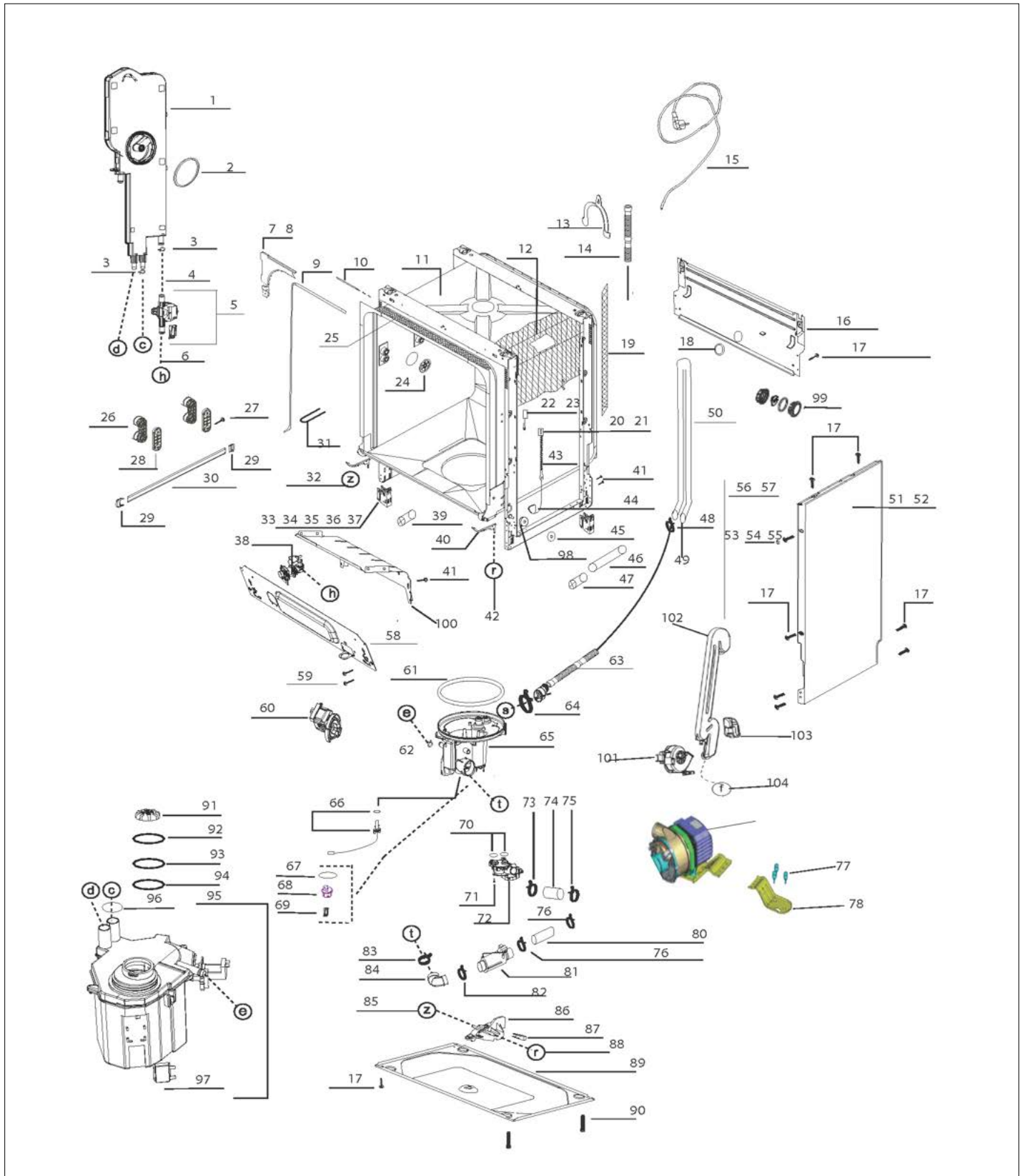
Item	Part No.	Name	Qty	Uom	NOTES
21	057471-000	DUAL SPRING HOLDER LOWER PART	2	EA	
22	039763-000	DOOR ADJUSTMENT GROUP-LEFT	1	EA	
23	059866-000	DOOR ADJUSTMENT GROUP - RIGHT	1	EA	
24	050778-000	air funnel cup	2	EA	
25	039923-000	DOOR LOCK COTTON FLEECE	1	EA	
26	050780-000	GRD BALL BEARING ROLLER GROUP	4	EA	
27	050781-000	SCREW	8	EA	
28	039777-000	RAIL WHEEL HOLDER	4	EA	
29	050782-000	rail cap front back	4	EA	
30	039887-000	RAIL	2	EA	
31	039901-000	DOOR LOCK HOOK	1	EA	
32	039873-000	HOSE (OVERFLOW SIPHON TO OVERFLOW FLOAT)	1	EA	
33	039898-000	FOOT SUPPORT PART	4	EA	
34	050779-000	FOOT GROUP-ADJUSTABLE-RIGHT-FRONT	1	EA	
35	039941-000	FOOT GROUP-ADJUSTABLE-RIGHT-BACK	1	EA	
36	039942-000	FOOT GROUP-ADJUSTABLE-LEFT-FRONT	1	EA	
37	039943-000	Rear feet Adjustable LEFT BACK	1	EA	
38	039756-000	WATER INLET VALVE	1	EA	
39	039765-000	DOOR ADJUSTING ADAPTOR	2	EA	
40	039921-000	OVERFLOW SIPHON	2	EA	
41	039912-000	INNER DOOR STOPER	2	EA	
42	039872-000	HOSE	1	EA	
43	057495-000	HINGE SPRING	4	EA	
44	039894-000	HINGE ROPE GROUP	2	EA	
45	060200-000	SCREW CAP SIDE WALLS	2	EA	
46	039938-000	REAR ADJUSTABLE DOOR CONNECTION PART	2	EA	
47	039937-000	REAR ADJUSTABLE FOOT CONNECTION PART	2	EA	
48	039952-000	HOSE CLAMP (Ø 28_7)	2	EA	







Item	Part No.	Name	Qty	Uom	NOTES
49	039725-000	DRAIN HOSE	1	EA	
<p>Comments for Part Num. 039725-000</p> <p>profixappliances@gmail.com on Dec 12, 2017</p> <p>Per Bradleysapplianceservice: IF LONG EXTERIOR DRAIN HOSE IS REQUIRED - FROM BACK OF DISHWASHER TO DRAIN OUTLET - ORDER PART NUMBER: 039726-000 DRAIN HOSE</p> <p>IF SUMP TO BACK OF UNIT DRAIN HOSE IS REQUIRED - INSIDE OF UNIT - ORDER PART NUMBER: 039725-000 SUMP DRAIN HOSE (16 INCHES LONG)</p>					
50	039792-000	COLUMN ASSY	1	EA	
51	057516-000	SIDE PANEL-LEFT	1	EA	
52	057517-000	SIDE PANEL-RIGHT	1	EA	
53	039877-000	SCREW	2	EA	
54	039905-000	SCREW CAP SIDE WALLS	2	EA	
55	060203-000	SCREW CAP SIDE WALLS	2	EA	
56	057529-000	NOISE ISOLATION	2	EA	
Not Shown	NOTE	SLIDES ON TRIM OF TUB		EA	
57	039760-000	NOISE ISOLATION	2	EA	
Not Shown	NOTE	STICKS ON SIDE OF UNIT		EA	
58	039773-000	KICK PLATE SHEET	1	EA	
59	039761-000	SCREW	2	EA	
60	039758-000	DRAIN PUMP GROUP	1	EA	
61	039722-000	SUMP GASKET	1	EA	
62	060723-000	HOSE CLAMP (Ø 16.4)	5	EA	
63	039726-000	DRAIN HOSE	1	EA	
<p>Comments for Part Num. 039726-000</p> <p>bradleysapplianceservice@shaw.ca on Jul 15, 2016</p> <p>IF LONG EXTERIOR DRAIN HOSE IS REQUIRED - FROM BACK OF DISHWASHER TO DRAIN OUTLET - ORDER PART NUMBER: 039726-000 DRAIN HOSE</p> <p>IF SUMP TO BACK OF UNIT DRAIN HOSE IS REQUIRED - INSIDE OF UNIT - ORDER PART NUMBER: 039725-000 SUMP DRAIN HOSE (16 INCHES LONG)</p> <p>Reply by profixappliances@gmail.com on Dec 12, 2017</p> <p>Thank you for the clarification!</p>					
64	039955-000	HOSE CLAMP	1	EA	



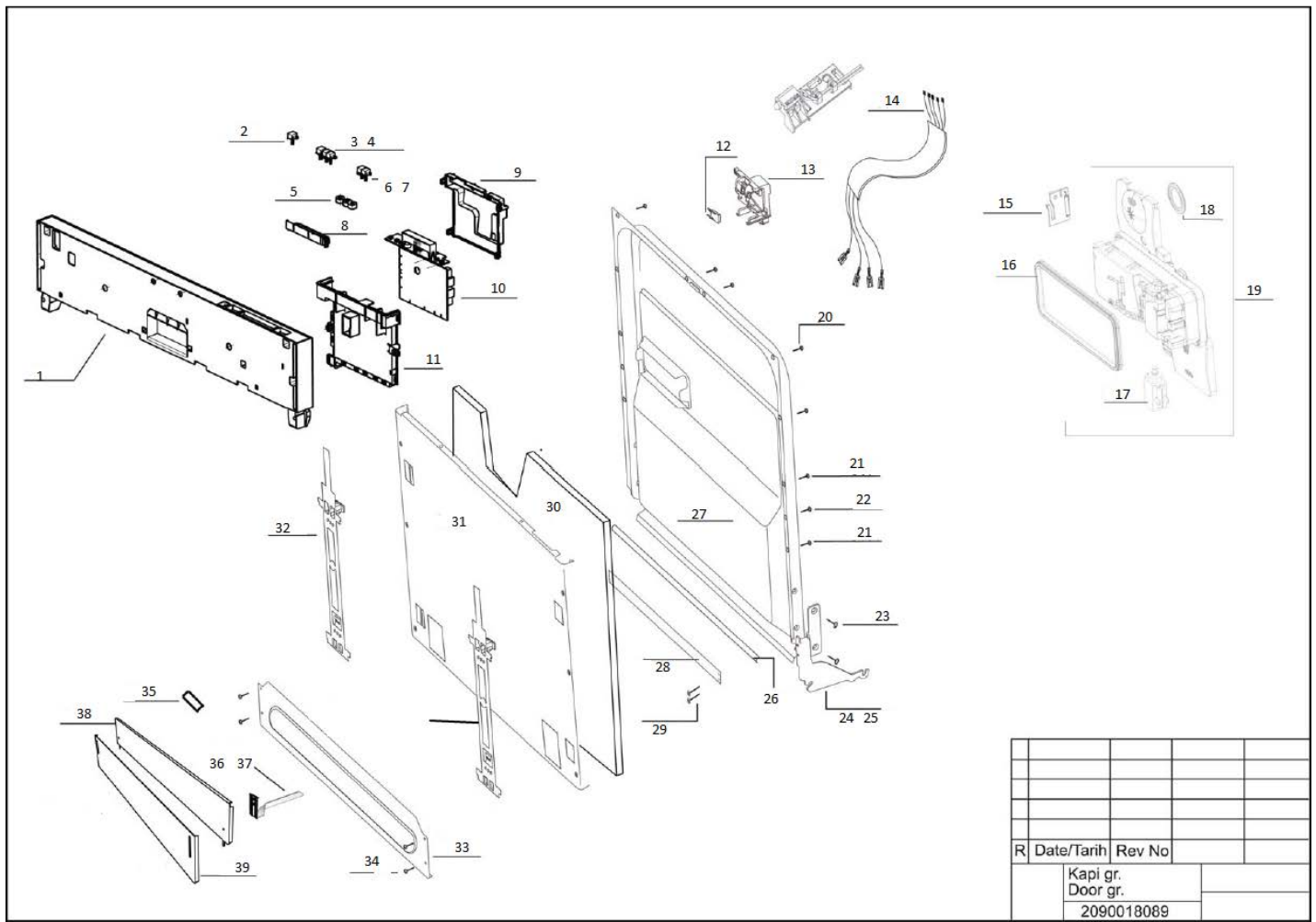
Item	Part No.	Name	Qty	Uom	NOTES
65	062826-000	SUMP-VDW300	1	EA	
66	039933-000	NTC GROUP	1	EA	
67	039868-000	O-RING (TURBIDITY)	1	EA	
68	039900-000	TURBIDITY FRAME	1	EA	
69	039950-000	TURBIDITY CARD AND LED HOLDER GR	1	EA	
70	039883-000	WASHER	2	EA	
71	039945-000	SCREW	1	EA	
72	060194-000	6 WAY VALVE GROUP	1	EA	
73	039953-000	HOSE CLAMP.(+ 34_1)	1	EA	
74	050798-000	HOSE	1	EA	
75	061501-000	SUMP CLAMP SCREW TYPE	1	EA	
76	039955-000	HOSE CLAMP	2	EA	
77	060182-000	CIRCULATION PUMP DAMPENING RUBBER	3	EA	
78	060181-000	MOTOR BRACKET GROUP	1	EA	
79	060187-000	QUADRO CIRCULATION MOTOR GROUP	1	EA	
80	060188-000	PUMP INLET HOSE	1	EA	
81	060167-000	FLOW THROUGH HEATER	1	EA	
82	039955-000	HOSE CLAMP	1	EA	
83	050799-000	HOSE CLAMP	1	EA	
84	039723-000	HOSE BETWEEN SUMP AND HEATER	1	EA	
85	039873-000	HOSE (OVERFLOW SIPHON TO OVERFLOW FLOAT)	1	EA	
86	039934-000	OVERFLOW FLOAT GROUP	1	EA	
87	039913-000	MICRO SWITCH	1	EA	
88	039872-000	HOSE	1	EA	
89	039886-000	BOTTOM TRAY	1	EA	
90	039889-000	FOOT GROUP-ADJUSTABLE	4	EA	
91	050805-000	WATER SOFTENER CAP GROUP 2	1	EA	
92	050806-000	WATER SOFTENER CAP GASKET	1	EA	
93	057592-000	WATER SOFTENER NUT	1	EA	





Item	Part No.	Name	Qty	Uom	NOTES
94	050807-000	SOFTENER O-RING	1	EA	
95	057585-000	WATER SOFTENER GROUP	1	EA	
96	039753-000	O RING -WATER SOFTENER	2	EA	
97	039865-000	SALT INDICATOR SWITCH	1	EA	Not available online / Call for pricing and availability
98	039893-000	HINGE WHEEL	2	EA	
99	060174-000	INNER ILLUMINATION CARD HOLDER GR	1	EA	
100	039885-000	LOWER SUPPORT - FRONT	1	EA	
101	050179-000	FAN MOTOR GROUP	1	EA	Not available online / Call for pricing and availability
102	050784-000	FAN SUCTION PIPE	1	EA	
103	050796-000	FAN OUTLET PIPE	1	EA	
104	050797-000	HOSE BETWEEN FAN AND SUMP	1	EA	
NI	057530-000	ACCESSORIES	1	EA	
Not Shown	NOTE	INSTALL HARDWARE		EA	
NI	071566-000	MOUNTING BRACKET KIT	1	EA	
Not Shown	NOTE	TO SECURE UNIT TO CABINET		EA	
NI	061473-000	AMERICA BOBBIN TERFERENCE FILTER	1	EA	

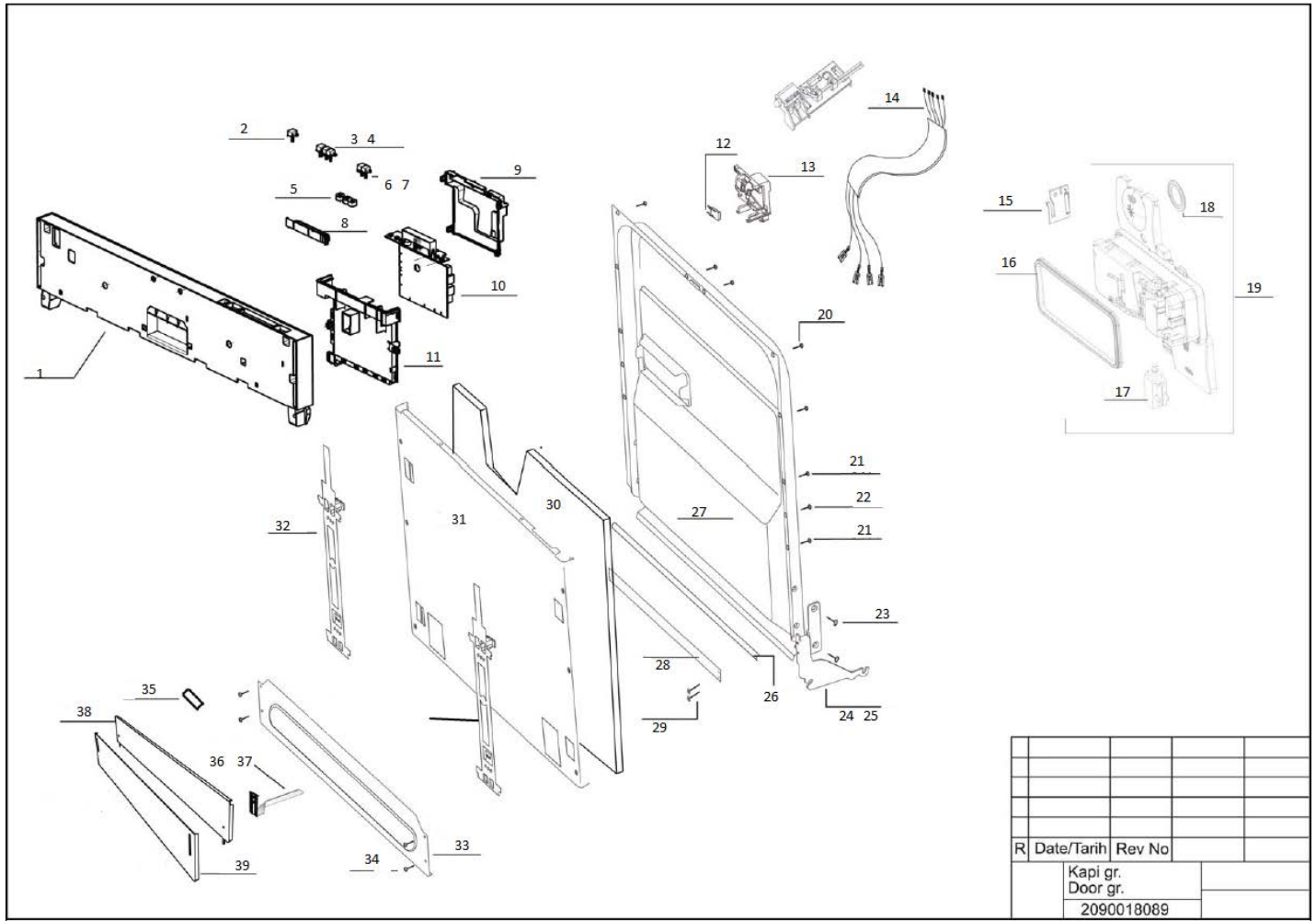
FDW302WS Door Parts



R	Date/Tarih	Rev No	
	Kapi gr. Door gr.		
	2090018089		

Item	Part No.	Name	Qty	Uom	NOTES
1	060163-000	PANEL GR FDW302	1	EA	
2	060156-000	ON-OFF BUTTON BLACK	1	EA	
3	060153-000	F1-F2 FUNCTION BUTTON BLACK	1	EA	
4	060155-000	PROGRAME DELAY BUTTON BLACK	1	EA	
5	060192-000	E5-E6 BUTTON GASKET	1	EA	
6	060154-000	F3-F4 FUNCTION BUTTON BLACK	1	EA	
7	060180-000	DELAY BUTTON BLACK	1	EA	
8	060191-000	E5-E6 BOTTON HOLDER PART	1	EA	
9	060190-000	E5-E6 CARD HOLDER BACK PART	1	EA	
10	060161-000	ELECTRONIC CARD E5	1	EA	
11	060189-000	E5-E6 CARD HOLDER FRONT PART	1	EA	
12	059878-000	NEW DOOR SWITCH	1	EA	
13	060170-000	DOOR LOCK GROUP	1	EA	
14	060185-000	D1 CABLE HARNESS	1	EA	
15	050831-000	RINSE AID GLASS	1	EA	
16	039714-000	DTERGENT DISPENSER GASKET	1	EA	
17	039882-000	THERMOACTUATOR D3731 D3421	1	EA	
18	039713-000	RINSE AID GASKET	1	EA	
19	039715-000	DETERGENT DISPENSER GROUP	1	EA	
20	039880-000	SCREW	6	EA	
21	039917-000	BOLT M4X8 D3731 D3421	4	EA	
22	063627-000	INNER DOOR STOPER	2	EA	
23	060158-000	SCREW	4	EA	
24	039739-000	HINGE ARM RIGHT	1	EA	
25	039738-000	HINGE ARM LEFT	1	EA	
26	039908-000	DOOR SEALING GASKET	1	EA	
27	039720-000	INNER DOOR GR	1	EA	
28	039935-000	HINGE ARM SUPPORT	1	EA	
29	039912-000	INNER DOOR STOPER	4	EA	



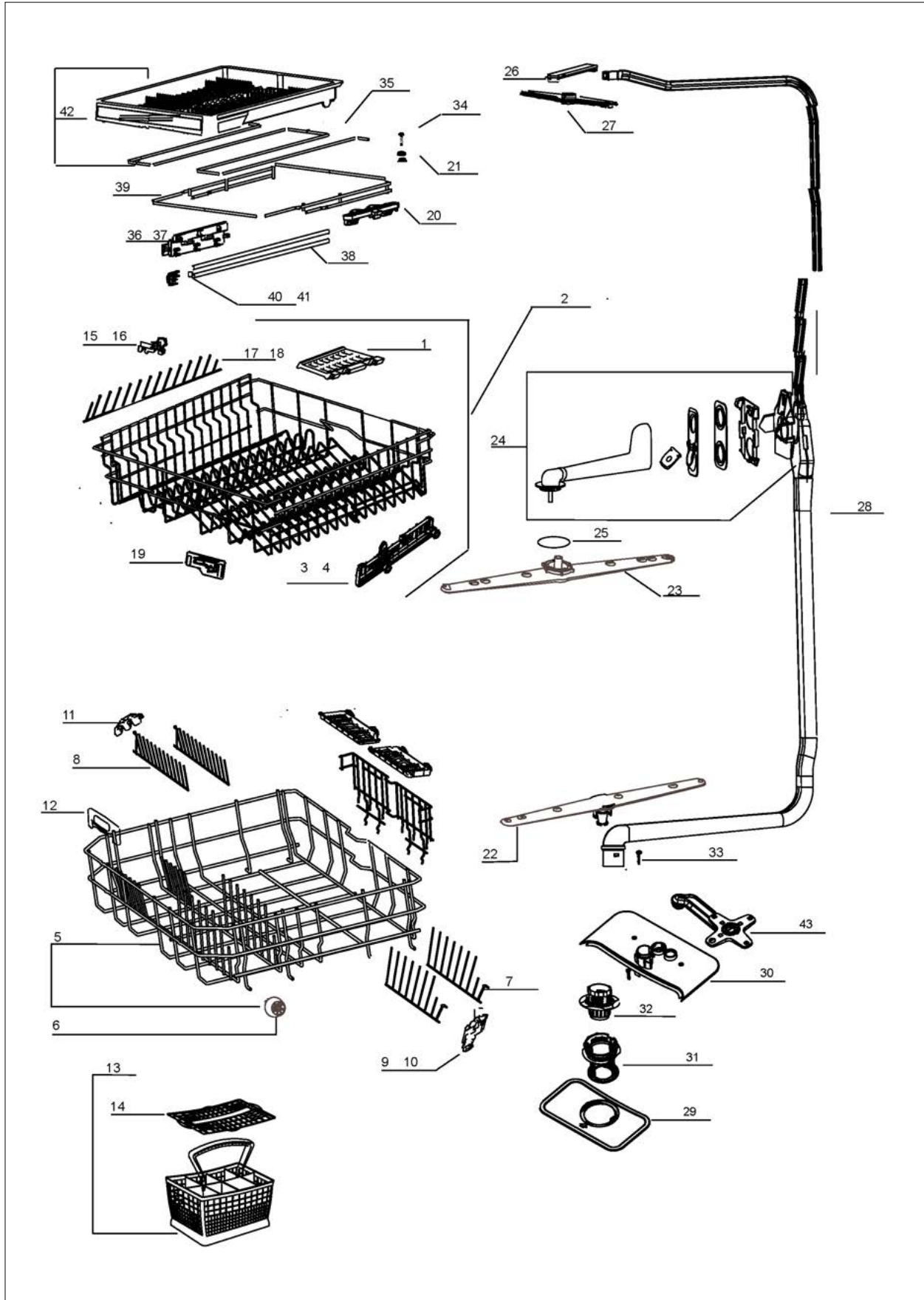




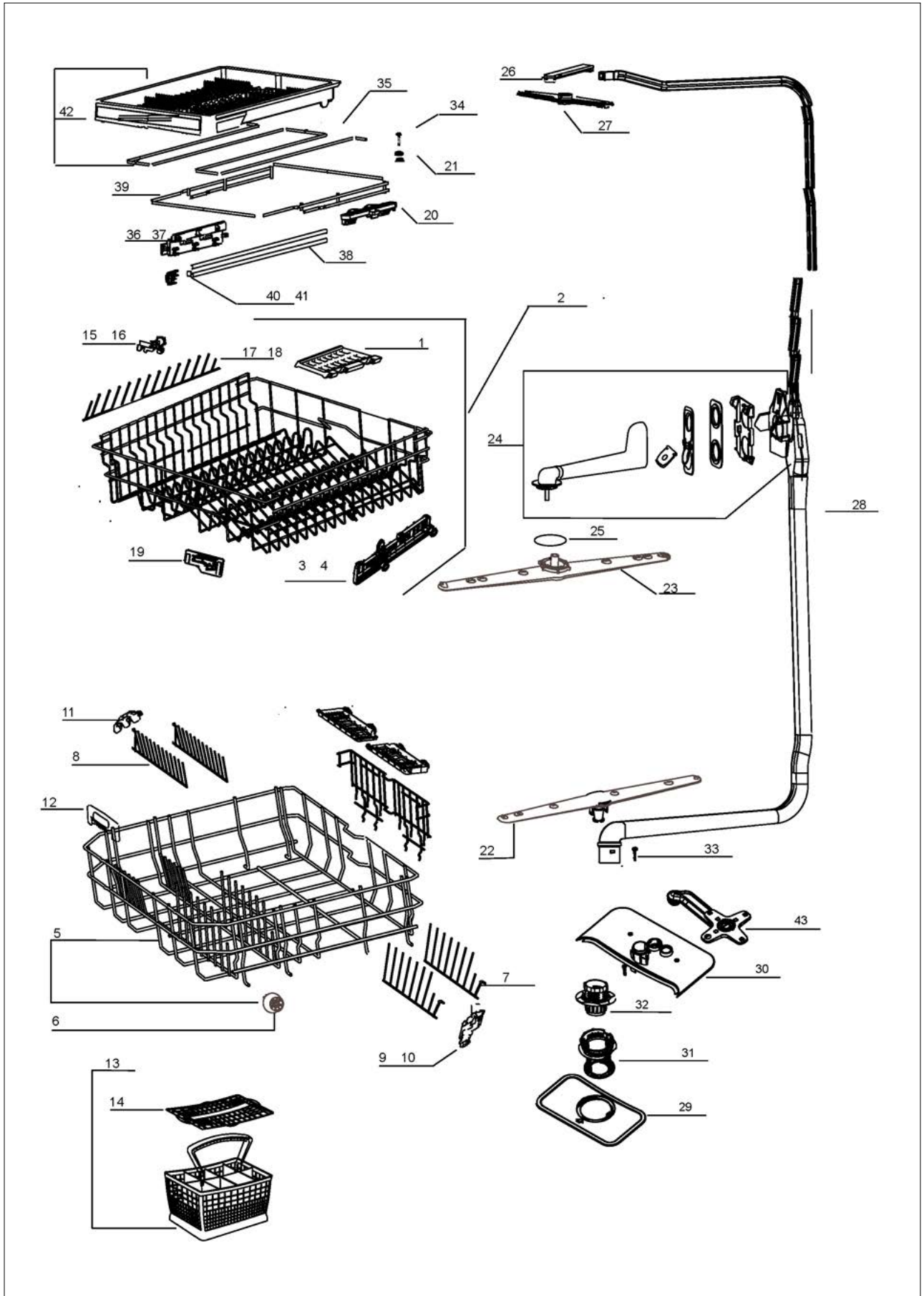


Item	Part No.	Name	Qty	Uom	NOTES
30	039903-000	DOOR INSULATION	1	EA	
31	059867-000	OUTER DOOR	1	EA	Not available online / Call for pricing and availability
32	060709-000	BOARD CONNECTION PART - LEFT	2	EA	Not available online / Call for pricing and availability
33	039773-000	KICK PLATE SHEET	1	EA	
34	039876-000	SCREW	4	EA	
35	039928-000	KICK PLATE ADJUSTING LOCKET	1	EA	
36	039924-000	PLINTH ADJUSTMENT SHEET LEFT	1	EA	
37	039925-000	PLINTH ADJUSTMENT SHEET RIGHT	1	EA	
38	039926-000	KICK PLATE SHEET	1	EA	
39	060210-000	KICK PLATE SHEET	1	EA	
NI	063681-000	INSULATION MATERIAL	1	EA	
Not Shown	NOTE	GOES BEHIND KICKPLATE		EA	

FDW302WS Washer System Parts



Item	Part No.	Name	Qty	Uom	NOTES
1	039785-000	SHELF GROUP	4	EA	
2	060241-000	UPPER RACK GR. RAL 7037	1	EA	
3	057480-000	UPPER BASKET MECHANISM-LEFT	1	EA	
4	057481-000	UPPER BASKET MECHANISM-RIGHT	1	EA	
5	060184-000	LOWER BASKET GROUP	1	EA	
6	060707-000	GRD LOWER BASKET WHEEL GROUP	8	EA	Not available online / Call for pricing and availability
7	039788-000	PLATE HOLDER-LEFT	2	EA	
8	039789-000	PLATE HOLDER-RIGHT	2	EA	
9	050885-000	FOLDING PART OF BOTTOM BASKET	1	EA	
10	057489-000	FOLDING PART OF BOTTOM BASKET	1	EA	
11	050821-000	LOWER BASKET CLIPS (SHORT)	3	EA	
11	039855-000	LOWER BASKET CLIPS (LONG)	3	EA	
12	050883-000	LOWER BASKET HANDLE	1	EA	
13	057482-000	CUTLERY BASKET GROUP	1	EA	
14	039791-000	CUTLERY BASKET SEPARATOR	2	EA	
15	039861-000	UPPER BASKET CLIPS	11	EA	
16	039783-000	FOLDING PART CLIPS RIGHT	1	EA	
17	059870-000	UPPER BASKET SUPPORT WIRE	1	EA	
18	059871-000	UPPER BASKET SUPPORT WIRE	1	EA	
19	057494-000	GRD FOLDING PART	1	EA	
20	050816-000	UPPER TRAY RAIL HOLDER	2	EA	
21	050817-000	CONNECTING WASHER	4	EA	
22	060164-000	LOWER SPRAY ARM GROUP	1	EA	
23	060165-000	UPPER SPRAY ARM GROUP	1	EA	
24	039862-000	UPPER SPRAY ARM FEED PIPE	1	EA	
25	039870-000	GASKET	1	EA	





Item	Part No.	Name	Qty	Uom	NOTES
26	039847-000	CEILING SPRAY ARM FEED PIPE	1	EA	
27	039841-000	CEILING SPRAY GROUP	1	EA	
28	039840-000	WATER SUPPLY TUBE GROUP	1	EA	
29	060198-000	METAL FILTER GROUP	1	EA	
30	060199-000	HALF FILTER SUPPORT ZONE	1	EA	
31	060196-000	MICRO FILTER GROUP_2	1	EA	
32	057474-000	COARSE FILTER	1	EA	
33	039945-000	SCREW	3	EA	
34	039880-000	SCREW	5	EA	
35	050809-000	UPPER TRAY FRAME WIRE	1	EA	
36	050811-000	UPPER TRAY DRAWER HOLDER-LEFT	1	EA	
37	050812-000	UPPER TRAY DRAWER HOLDER-RIGHT	1	EA	
38	050815-000	CEILING RAIL	2	EA	
39	050810-000	UPPER TRAY HOLDER	1	EA	
40	060177-000	UPPER TRAY RAIL CAP-RIGHT RAL 7037	1	EA	
41	060178-000	UPPER TRAY RAIL CAP-LEFT RAL7037	1	EA	
42	060176-000	UPPER TRAY GROUP	1	EA	
43	060195-000	ZONE WASH GROUP	1	EA	



Appendix A:Pages Index

FDW302WS Chassis Parts ..... 1  
FDW302WS Door Parts ..... 2  
FDW302WS Washer System Parts ..... 3



## Appendix B:Parts Index

039713-000	2	039873-000	1, 1
039714-000	2	039876-000	2
039715-000	2	039877-000	1
039720-000	2	039880-000	2, 3
039722-000	1	039882-000	2
039723-000	1	039883-000	1
039725-000	1, 1	039885-000	1
039726-000	1	039886-000	1
039738-000	2	039887-000	1
039739-000	2	039889-000	1
039753-000	1	039893-000	1
039756-000	1	039894-000	1
039758-000	1	039898-000	1
039760-000	1	039900-000	1
039761-000	1	039901-000	1
039763-000	1	039903-000	2
039765-000	1	039905-000	1
039767-000	1	039908-000	2
039768-000	1	039910-000	1
039769-000	1	039912-000	1, 2
039773-000	1, 2	039913-000	1
039777-000	1	039917-000	2
039783-000	3	039918-000	1
039785-000	3	039921-000	1
039788-000	3	039923-000	1
039789-000	3	039924-000	2
039791-000	3	039925-000	2
039792-000	1	039926-000	2
039840-000	3	039928-000	2
039841-000	3	039933-000	1
039847-000	3	039934-000	1
039855-000	3	039935-000	2
039861-000	3	039937-000	1
039862-000	3	039938-000	1
039865-000	1	039941-000	1
039866-000	1	039942-000	1
039867-000	1	039943-000	1
039868-000	1	039945-000	1, 3
039870-000	3	039949-000	1
039872-000	1, 1	039950-000	1
		039952-000	1



039953-000	1	057516-000	1
039955-000	1, 1, 1	057517-000	1
039958-000	1, 1	057529-000	1
050179-000	1	057530-000	1
050775-000	1	057585-000	1
050777-000	1	057592-000	1
050778-000	1	059866-000	1
050779-000	1	059867-000	2
050780-000	1	059870-000	3
050781-000	1	059871-000	3
050782-000	1	059878-000	2
050784-000	1	060153-000	2
050796-000	1	060154-000	2
050797-000	1	060155-000	2
050798-000	1	060156-000	2
050799-000	1	060157-000	1
050805-000	1	060158-000	2
050806-000	1	060161-000	2
050807-000	1	060163-000	2
050809-000	3	060164-000	3
050810-000	3	060165-000	3
050811-000	3	060167-000	1
050812-000	3	060168-000	1
050815-000	3	060170-000	2
050816-000	3	060174-000	1
050817-000	3	060176-000	3
050821-000	3	060177-000	3
050831-000	2	060178-000	3
050883-000	3	060180-000	2
050885-000	3	060181-000	1
050887-000	1	060182-000	1
050891-000	1	060184-000	3
057470-000	1	060185-000	2
057471-000	1	060187-000	1
057474-000	3	060188-000	1
057480-000	3	060189-000	2
057481-000	3	060190-000	2
057482-000	3	060191-000	2
057489-000	3	060192-000	2
057494-000	3	060194-000	1
057495-000	1	060195-000	3





060196-000	3
060198-000	3
060199-000	3
060200-000	1
060202-000	1
060203-000	1
060210-000	2
060241-000	3
060707-000	3
060709-000	2
060711-000	1
060723-000	1
061473-000	1
061501-000	1
062826-000	1
063627-000	2
063681-000	2
071566-000	1