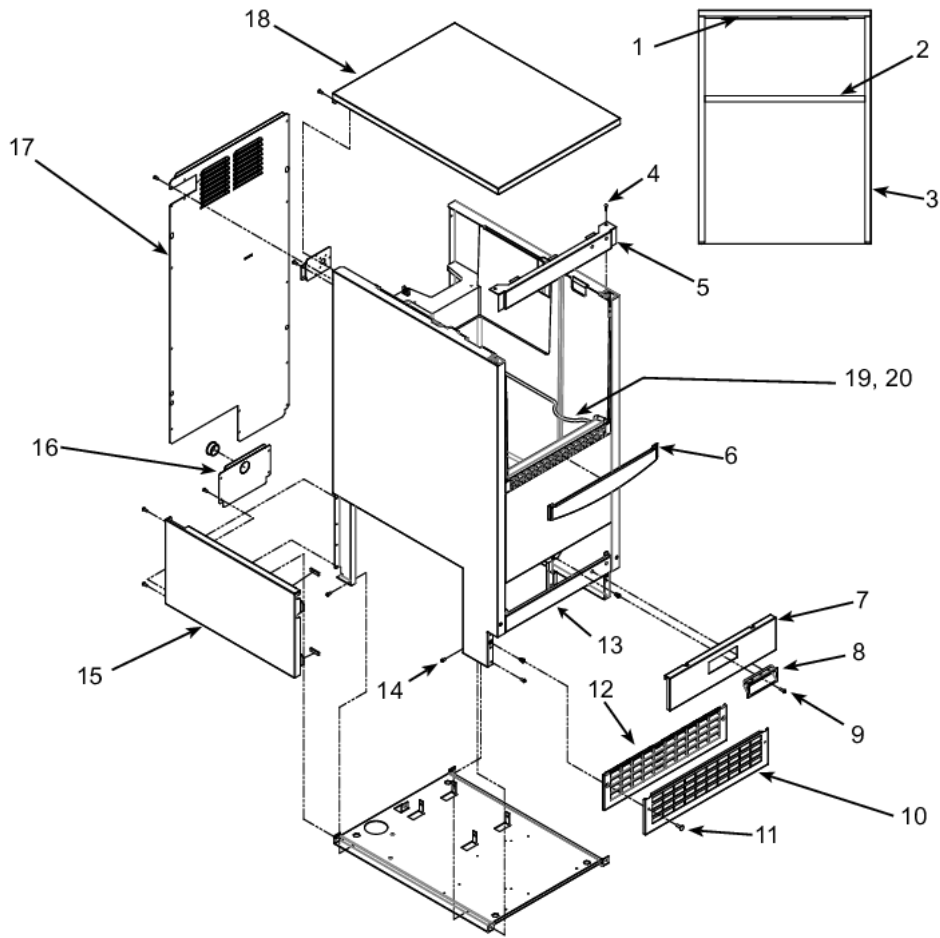


FPNI515 Pump Model nugget IM

CABINET	1
ICE MAKING	2
CONTROL SYSTEM	3
DOOR COMPONENTS	4
STORAGE BIN AND ICE CHUTE	5
RESERVOIR	6
REFRIGERATION	7
FPNI515 Under Bin Parts	8
Appendix A:Pages Index	A
Appendix B:Parts Index	B

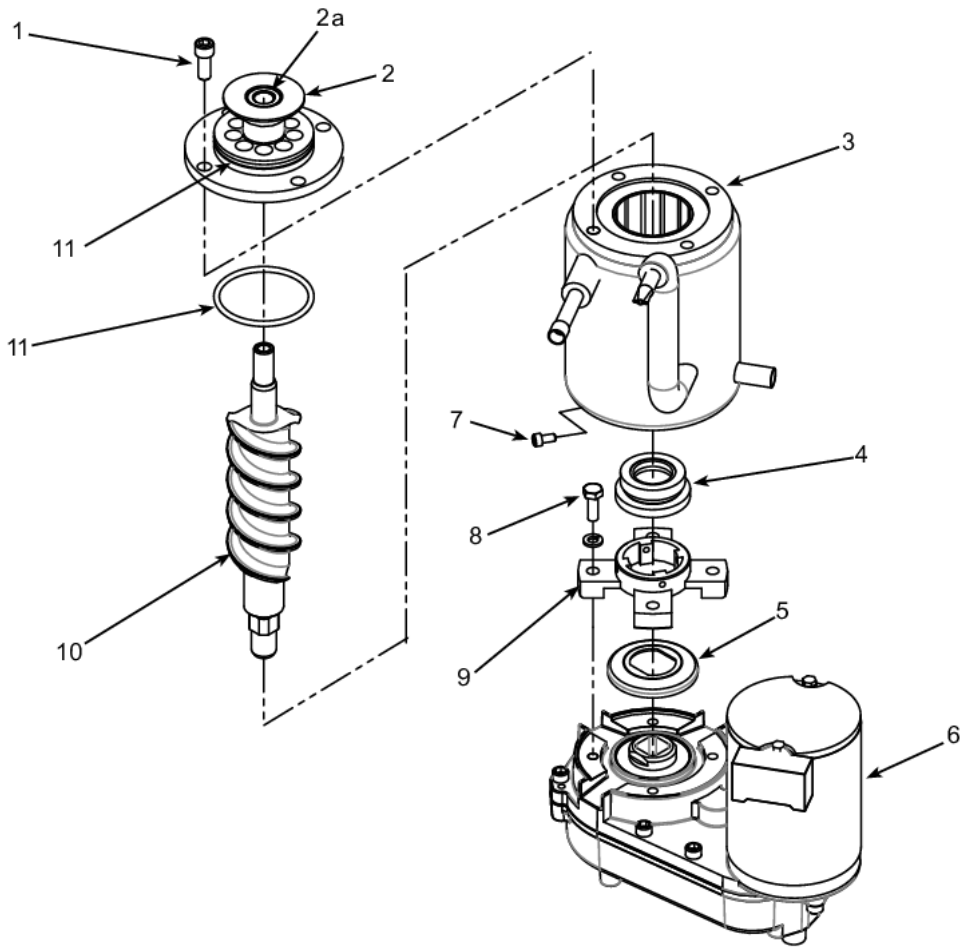
CABINET





Item	Part No.	Name	Qty	Uom	NOTES
1	022597-000	FRONT GASKET	1	EA	
2	022599-000	MIDDLE GASKET	1	EA	
3	022598-000	SIDE GASKET	1	EA	
4	022569-000	SCREW	1	EA	
5	022611-000	TOP HINGE BRKT, RH SS	1	EA	
5	022612-000	TOP HINGE BRKT, LH SS	1	EA	
6	022557-000	INSULATION PAD	1	EA	
7	022625-000	SERVICE PANEL, SS	1	EA	
8	022525-000	HOLE PLUG	1	EA	
9	022563-000	SCREW	1	EA	
10	022620-000	KICKPLATE, SS	1	EA	
11	022567-000	SCREW, SS	1	EA	
12	022549-000	KICKPLATE	1	EA	
13	022622-000	BTM HINGE BRKT, RIGHT SS	1	EA	
13	022623-000	BTM HINGE BRKT, LEFT SS	1	EA	
14	022565-000	SCREW	1	EA	
15	046797-000	Side service panel	1	EA	
16	046800-000	Drain panel	1	EA	
17	051853-000	BACK PANEL	1	EA	
18	022624-000	TOP PANEL, SS	1	EA	
18a	051855-000	TOP PANEL INSULATION	1	EA	
19	022606-000	BIN STAT BRACKET/SCOOP HLDR	1	EA	
20	022550-000	SCOOP	1	EA	
NI	057532-000	Power cord	1	EA	Not available online / Call for pricing and availability
NI	057533-000	Lo Voltage Harness/Transformer to Board	1	EA	Not available online / Call for pricing and availability
NI	057534-000	Hi Voltage Harness	1	EA	Not available online / Call for pricing and availability

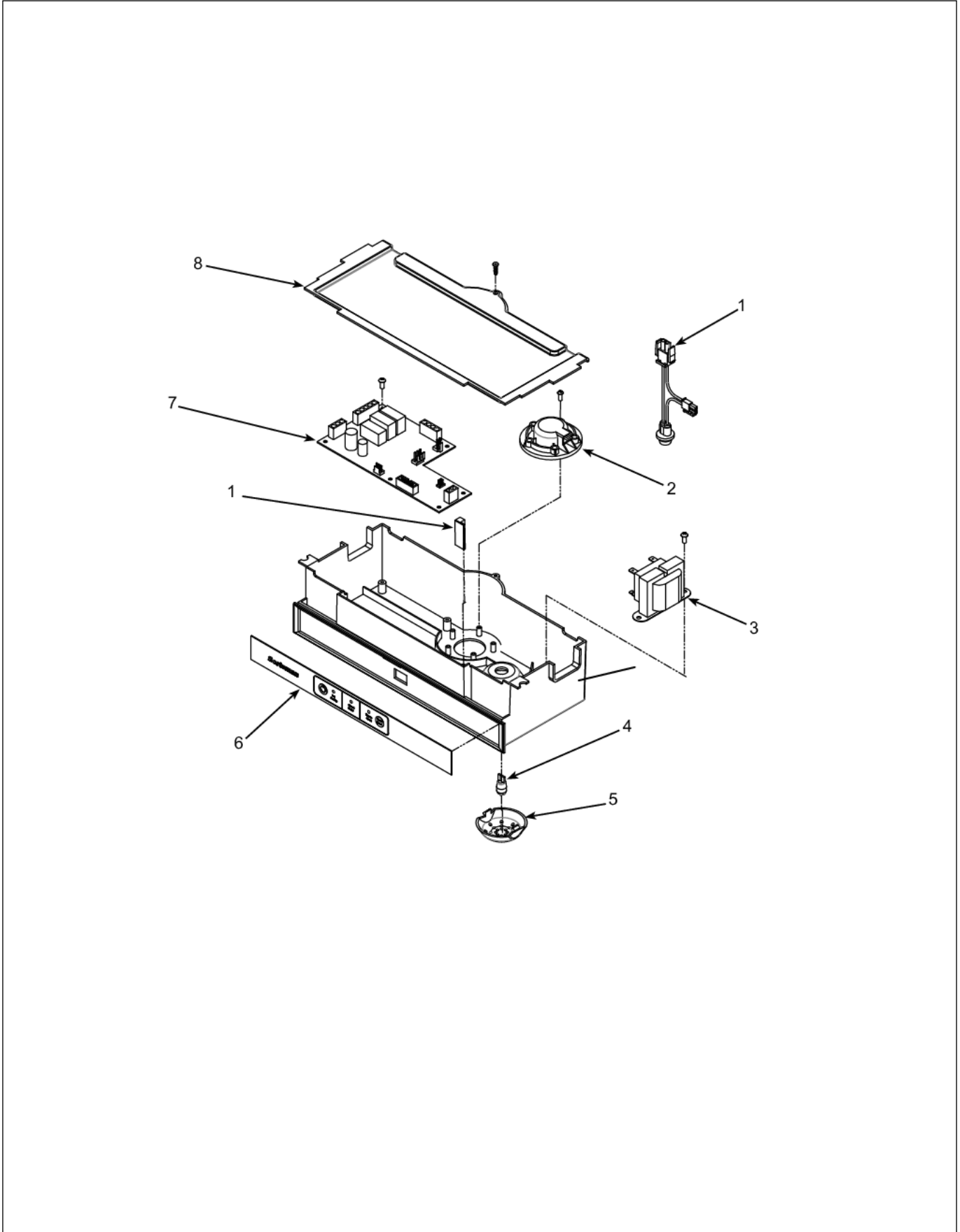
ICE MAKING





Item	Part No.	Name	Qty	Uom	NOTES
1	046756-000	Cap screw	1	EA	
2	046795-000	Breaker w/bearing	1	EA	
2a	046744-000	Bearing only	1	EA	
3	046737-000	Evaporator	1	EA	
4	046743-000	Water seal	1	EA	
5	046747-000	Water shed	1	EA	
6	046739-000	Gear reducer complete	1	EA	
7	046755-000	Cap screw	1	EA	
8	046752-000	Cap screw	1	EA	
9	046745-000	Adapter	1	EA	
10	046742-000	Auger	1	EA	
11	046777-000	O-ring	1	EA	

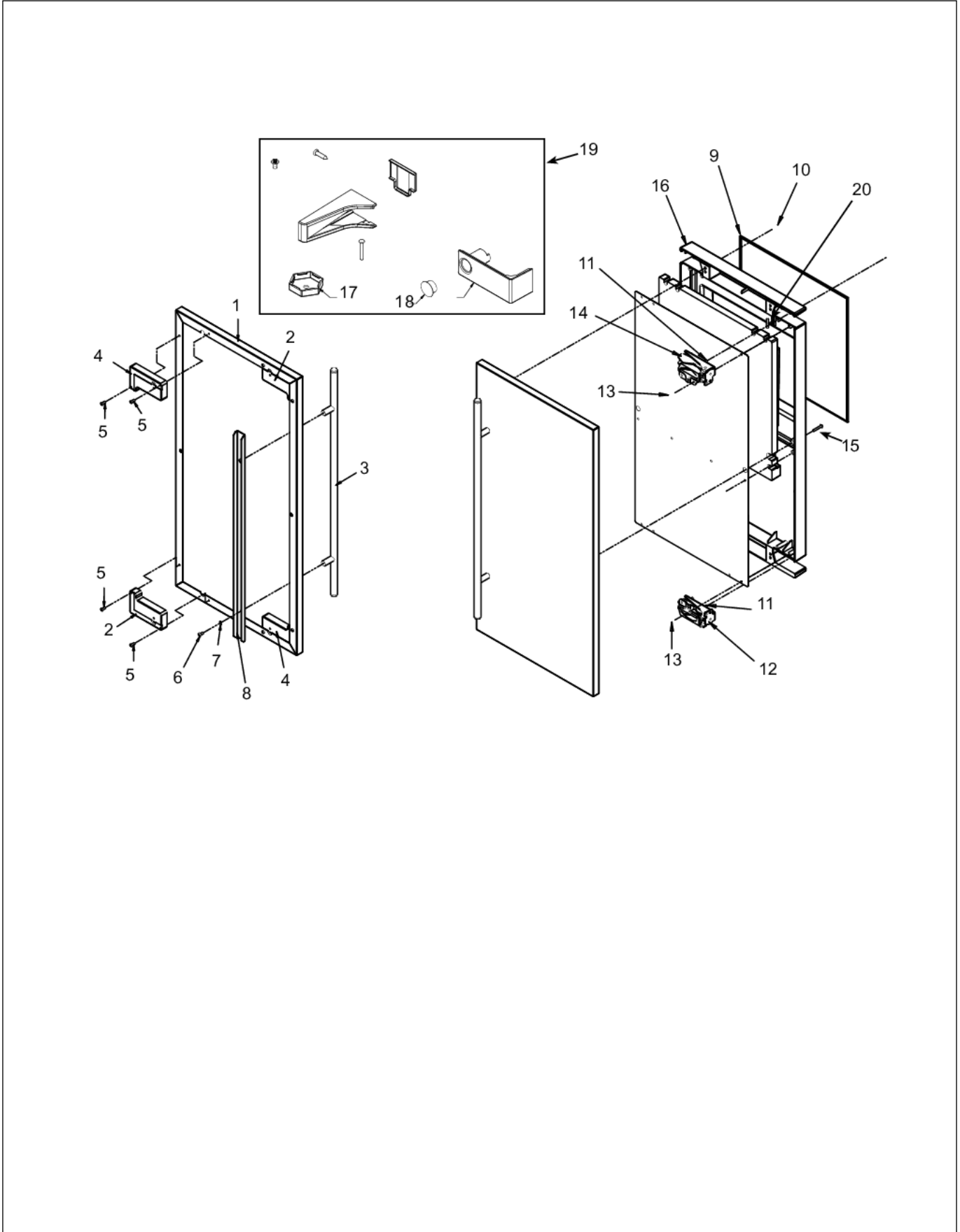
CONTROL SYSTEM





Item	Part No.	Name	Qty	Uom	NOTES
1	022586-000	BIN LIGHT SENSOR		EA	
2	046768-000	Ice level sensor		EA	
3	022583-000	TRANSFORMER		EA	
4	022584-000	BULB		EA	
5	022542-000	LIGHT COVER		EA	
6	051856-000	MEMBRANE		EA	
7	046769-000	Controller		EA	
8	022548-000	COVER		EA	
NI	044176-000	POWER CORD		EA	
9	062555-000	Control Box		EA	

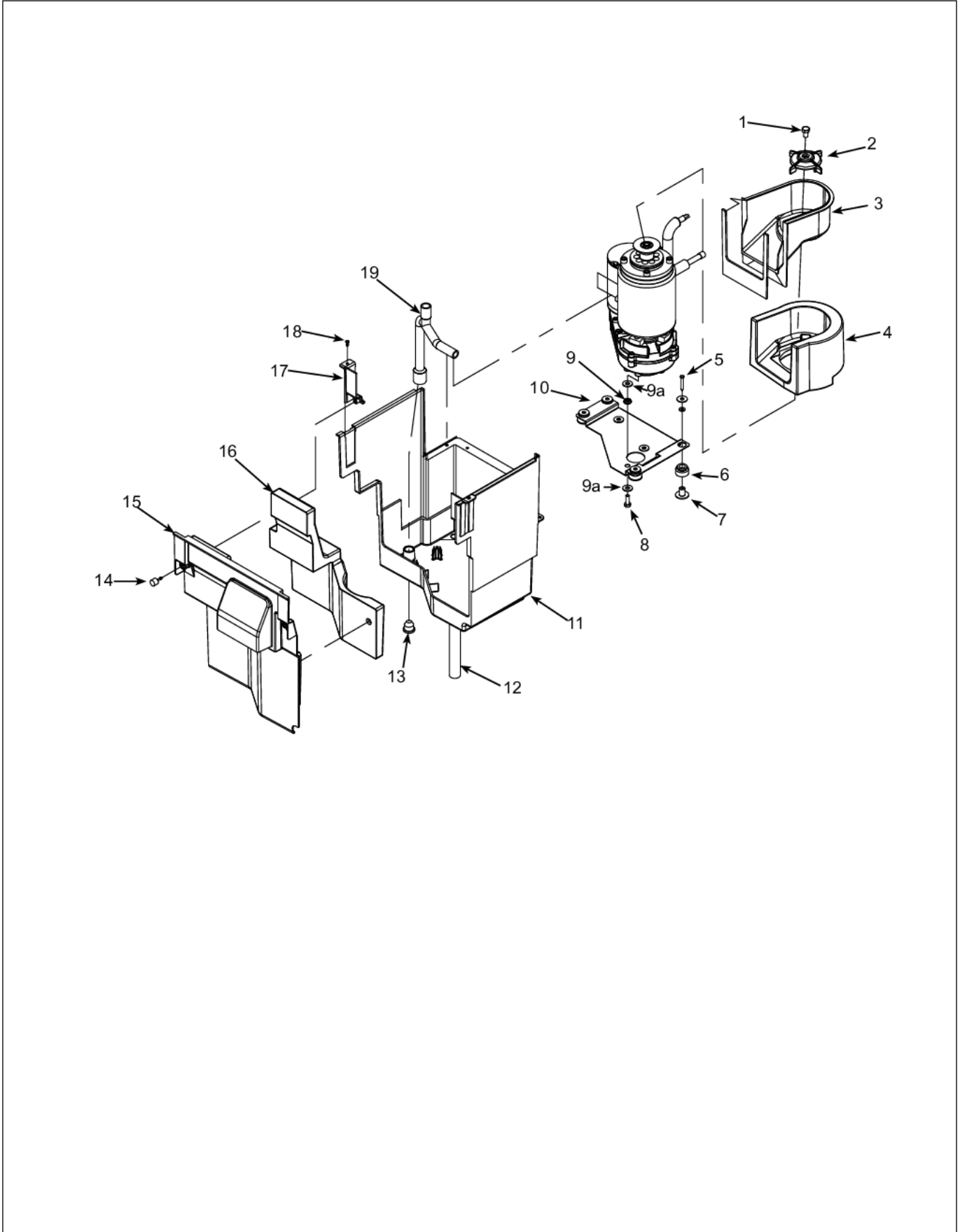
DOOR COMPONENTS





Item	Part No.	Name	Qty	Uom	NOTES
1	PIDP15L or PIDP15R	DOOR PANEL (SALES ITEM)	1	EA	Not available online / Call for pricing and availability
9	022633-000	DOOR GASKET	1	EA	
10	022631-000	SCREW	1	EA	
11	022632-000	SCREW-HINGE TO CABINET	1	EA	
12	022627-000	HINGE-TOP LEFT/BOTTOM RIGHT	1	EA	
13	022630-000	SCREW-HINGE TO DOOR	1	EA	
14	022628-000	HINGE-TOP RIGHT/BOTTOM LEFT	1	EA	
15	022629-000	SCREW	1	EA	
16	022635-000	DOOR ASSEMBLY, DOES NOT INCLUDE DOOR PANEL OR HINGES	1	EA	
17	022555-000	LEG CAP, PACK OF 4	1	EA	
18	022626-000	HOLE PLUG - WHITE	1	EA	
19	022560-000	HINGE COVER PACKAGE/HARDWARE	1	EA	
20	046708-000	Magnet, door switch	1	EA	

STORAGE BIN AND ICE CHUTE

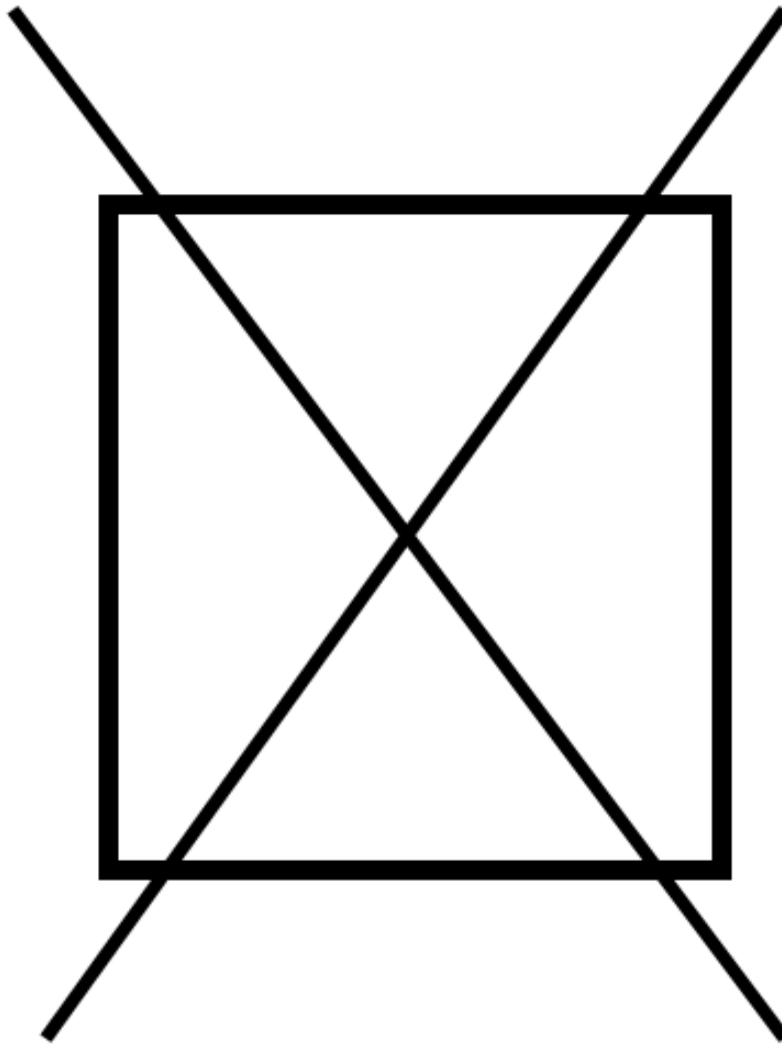




Item	Part No.	Name	Qty	Uom	NOTES
1	046751-000	Screw, 5/16-18	1	EA	
2	046746-000	Ice sweep	1	EA	
3	046736-000	Chute	1	EA	
4	N/A	CHUTE INSULATION, PART OF ITEM 3	1	EA	
5	046749-000	Screw	1	EA	
6	046762-000	Grommet	1	EA	
7	046763-000	Flanged bushing	1	EA	
8	046750-000	Cap screw	1	EA	
9	046764-000	Vibration grommet	1	EA	
9a	046753-000	Washer	1	EA	
10	046798-000	Mounting plate only	1	EA	
11	046740-000	Shelf, gear and evap asy	1	EA	
12	046803-000	Drain	1	EA	
13	046778-000	Drain plug	1	EA	
14	022570-000	THUMB SCREW	1	EA	
15	046741-000	Cover	1	EA	
16	N/A	COVER INSULATION, PART OF ITEM 15	1	EA	
17	022539-000	EVAP BRACKET, RIGHT	1	EA	
Not Shown	022573-000	EVAP BRACKET, LEFT	1	EA	
18	022569-000	SCREW	1	EA	
19	046738-000	Tube, reservoir to evap	1	EA	

RESERVOIR

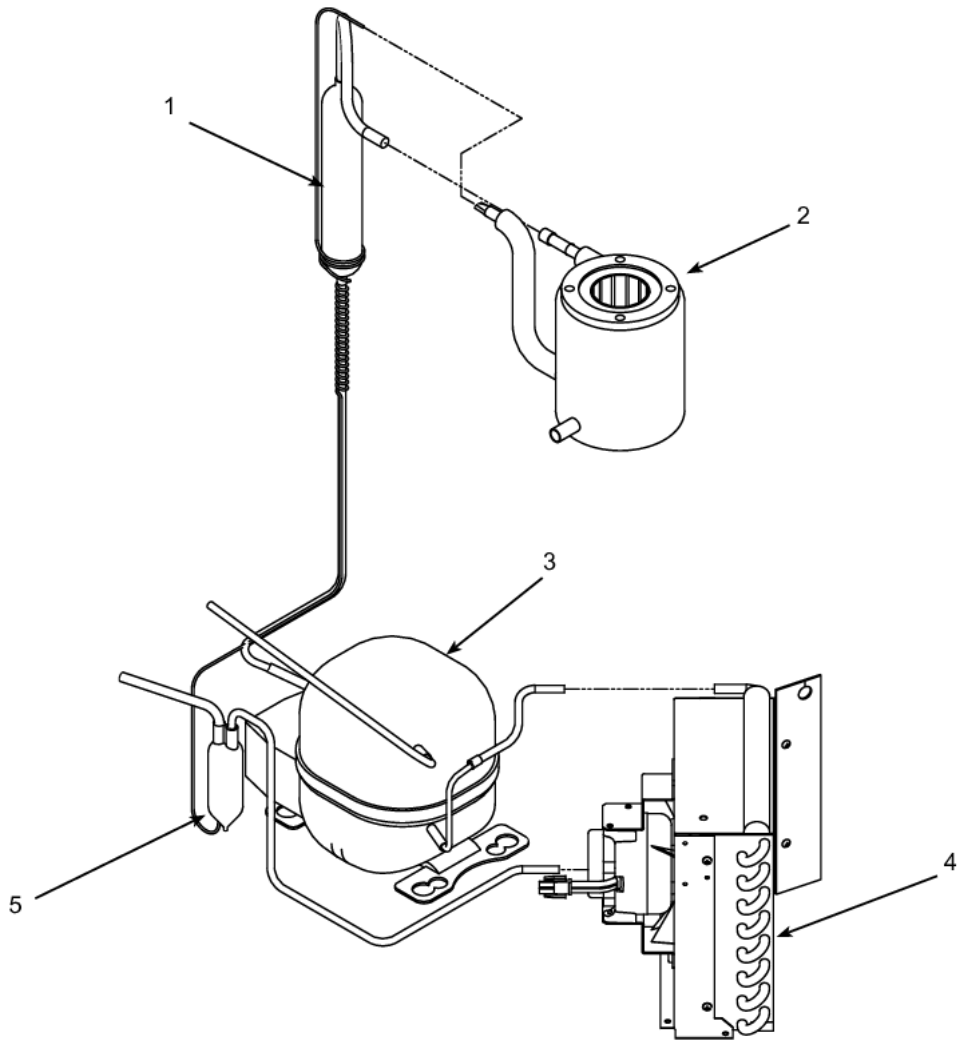
NON
ILLUSTRATED PART





Item	Part No.	Name	Qty	Uom	NOTES
1	046807-000	Brace	1	EA	
2	046801-000	Bracket	1	EA	
3	046802-000	Reservoir mounting bracket	1	EA	
4	046805-000	Water level sensor	1	EA	
5	046774-000	Water sensor harness	1	EA	
6	046804-000	Reservoir w/valve and cover	1	EA	
7	046719-000	Float and valve only	1	EA	

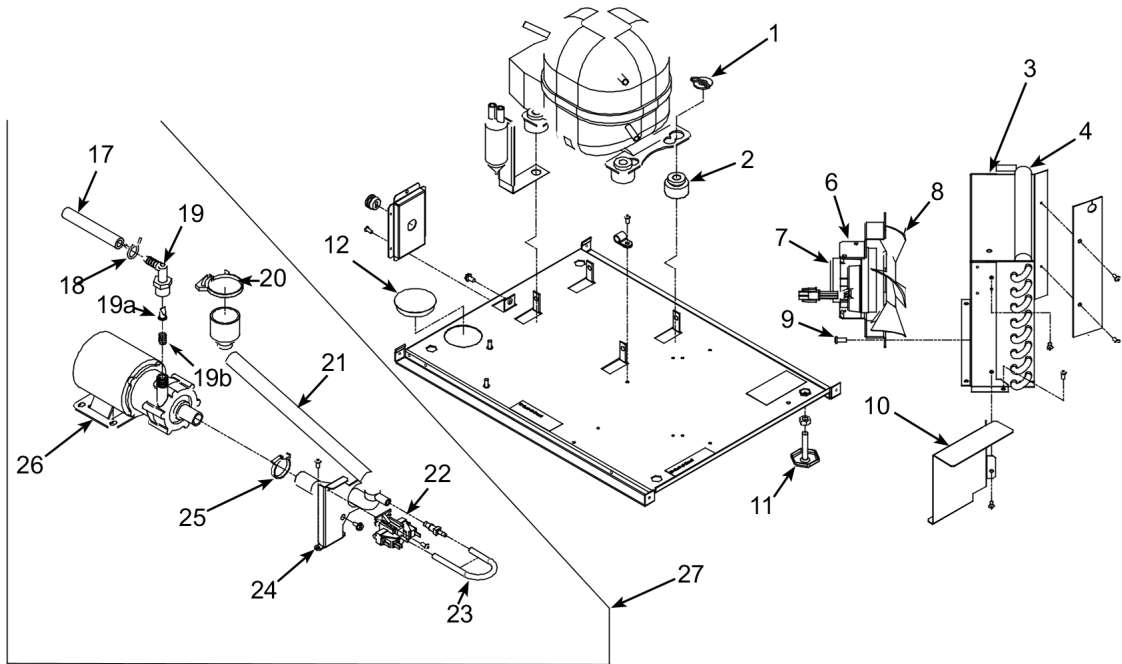
REFRIGERATION





Item	Part No.	Name	Qty	Uom	NOTES
1	046791-000	Suction line w/cap tube	1	EA	
2	046737-000	Evaporator	1	EA	
3	046782-000	Compressor	1	EA	
Not Shown	NOTE	(COMPRESSOR INCLUDES OVERLOAD, RELAY AND DRYER)		EA	
3a	046784-000	Overload	1	EA	
3b	046783-000	Relay	1	EA	
4	022605-000	CONDENSER	1	EA	
5	046723-000	Dryer	1	EA	

FPNI515 Under Bin Parts





Item	Part No.	Name	Qty	Uom	NOTES
1	022568-000	CLIP		EA	
NI	022564-000	WASHER		EA	
2	022601-000	GROMMET		EA	
3	022619-000	FAN SHROUD		EA	Not available online / Call for pricing and availability
4	022596-000	GASKET		EA	
6	022621-000	FAN MOTOR BRACKET		EA	
7	022593-000	FAN MOTOR		EA	
8	022532-000	FAN BLADE		EA	
9	022632-000	SCREW-HINGE TO CABINET		EA	
10	046806-000	Pump model rain shield		EA	
11	022566-000	LEG LEVELER		EA	
12	022526-000	HOLE PLUG		EA	
17	022607-000	DISCHARGE HOSE		EA	
18	022524-000	HOSE CLAMP		EA	
19	022531-000	ELBOW		EA	Not available online / Call for pricing and availability
19a	022529-000	CHECK VALVE		EA	
19b	022571-000	SPRING		EA	
20	022528-000	HOSE CLAMP		EA	
21	022553-000	DRAIN TUBE		EA	
22	022574-000	PRESSURE SWITCH		EA	
23	022572-000	SWITCH HOSE		EA	
24	022613-000	SWITCH BRACKET		EA	
25	022528-000	HOSE CLAMP		EA	
26	022582-000	PUMP & MOTOR ONLY		EA	
27	DPFGIM	PUMP KIT		EA	



Appendix A:Pages Index

CABINET	1
CONTROL SYSTEM	3
DOOR COMPONENTS	4
FPNI515 Under Bin Parts	8
ICE MAKING	2
REFRIGERATION	7
RESERVOIR	6
STORAGE BIN AND ICE CHUTE	5



Appendix B:Parts Index

022524-000	8	022607-000	8
022525-000	1	022611-000	1
022526-000	8	022612-000	1
022528-000	8, 8	022613-000	8
022529-000	8	022619-000	8
022531-000	8	022620-000	1
022532-000	8	022621-000	8
022539-000	5	022622-000	1
022542-000	3	022623-000	1
022548-000	3	022624-000	1
022549-000	1	022625-000	1
022550-000	1	022626-000	4
022553-000	8	022627-000	4
022555-000	4	022628-000	4
022557-000	1	022629-000	4
022560-000	4	022630-000	4
022563-000	1	022631-000	4
022564-000	8	022632-000	4, 8
022565-000	1	022633-000	4
022566-000	8	022635-000	4
022567-000	1	044176-000	3
022568-000	8	046708-000	4
022569-000	1, 5	046719-000	6
022570-000	5	046723-000	7
022571-000	8	046736-000	5
022572-000	8	046737-000	2, 7
022573-000	5	046738-000	5
022574-000	8	046739-000	2
022582-000	8	046740-000	5
022583-000	3	046741-000	5
022584-000	3	046742-000	2
022586-000	3	046743-000	2
022593-000	8	046744-000	2
022596-000	8	046745-000	2
022597-000	1	046746-000	5
022598-000	1	046747-000	2
022599-000	1	046749-000	5
022601-000	8	046750-000	5
022605-000	7	046751-000	5
022606-000	1	046752-000	2
		046753-000	5



046755-000	2
046756-000	2
046762-000	5
046763-000	5
046764-000	5
046768-000	3
046769-000	3
046774-000	6
046777-000	2
046778-000	5
046782-000	7
046783-000	7
046784-000	7
046791-000	7
046795-000	2
046797-000	1
046798-000	5
046800-000	1
046801-000	6
046802-000	6
046803-000	5
046804-000	6
046805-000	6
046806-000	8
046807-000	6
051853-000	1
051855-000	1
051856-000	3
057532-000	1
057533-000	1
057534-000	1
062555-000	3
DPFGIM	8
PIDP15L or PIDP15R	4