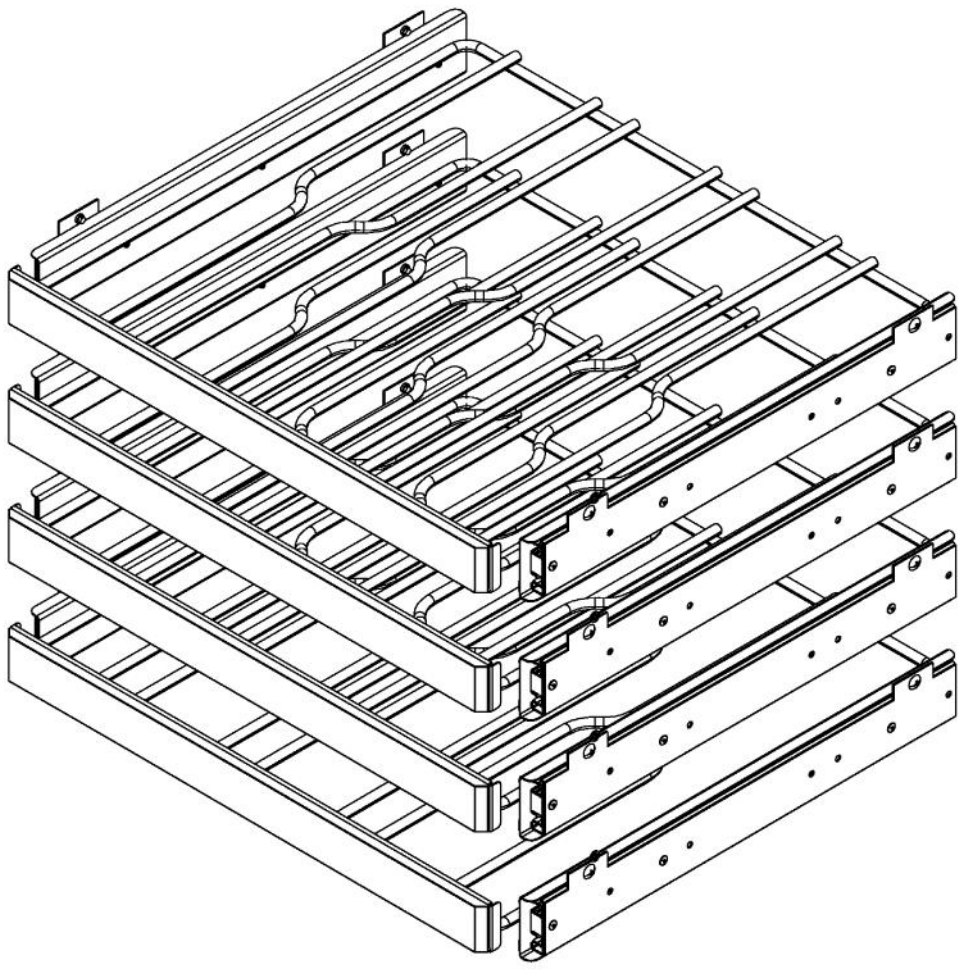
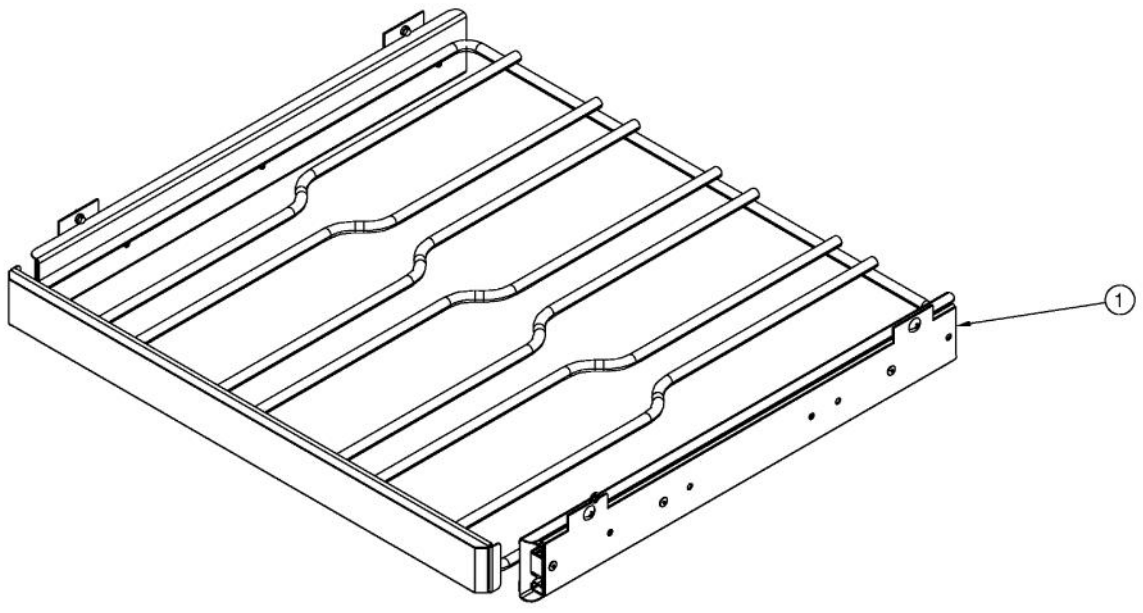
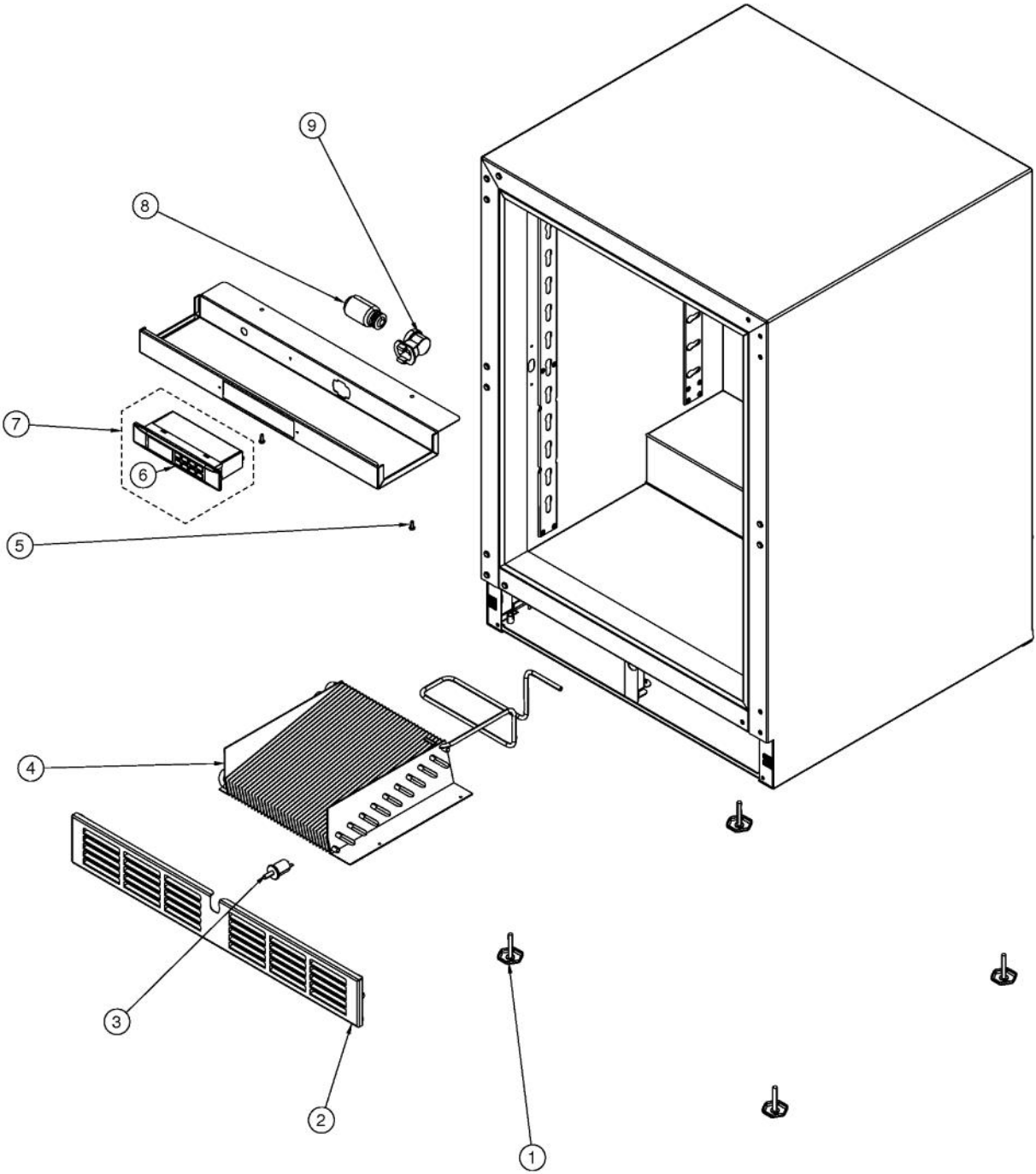


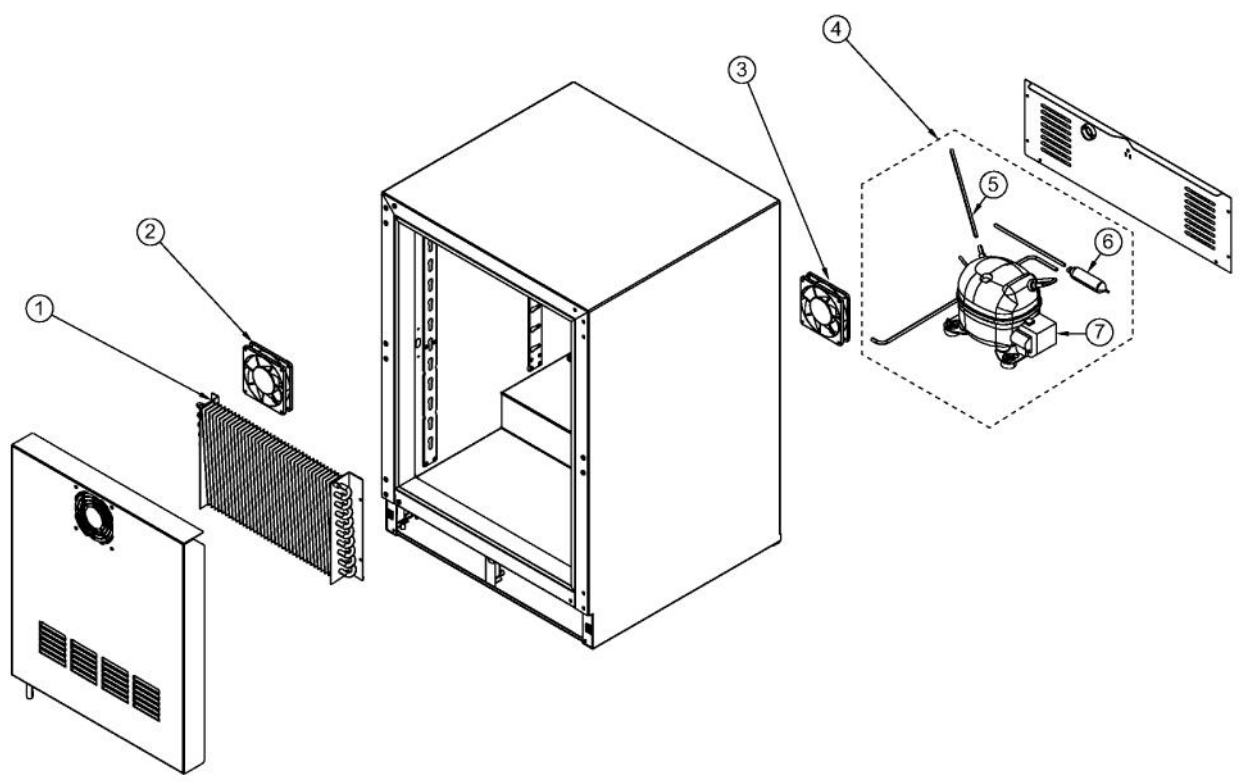
| Ref # | Part Number | Qty. | Description |
|-------|-------------|------|---|
| 1 | 033104-000 | 1 | RD-VK-24-L4, CLEAR GLASS WWOOD BORDER DOOR PAN... |
| 2 | 033020-000 | 1 | HINGE KIT, LH |
| 3 | 032972-000 | 1 | DOOR GASKET, 24 |
| 4 | 033015-000 | 2 | PLUNGER FASTENER |
| 5 | 032973-000 | 1 | PLUNGER BRACKET |



| Ref # | Part Number | Qty. | Description |
|-------|-------------|------|--------------------|
| 1 | 033019-000 | 5 | SHELF ASSEMBLY, 24 |

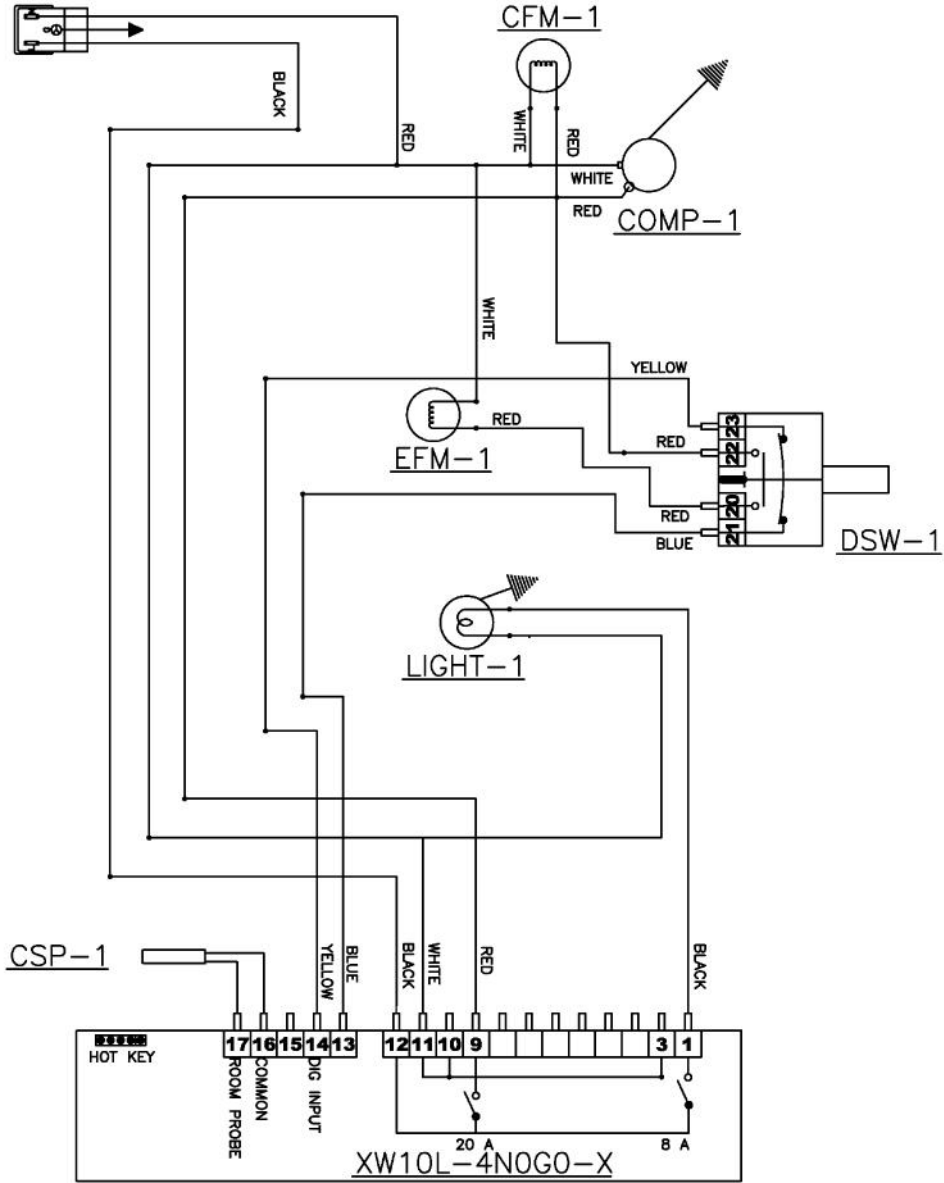


| Ref # | Part Number | Qty. | Description |
|-------|-------------|------|------------------------------|
| 1 | 033033-000 | 4 | LEVELLING LEG |
| 2 | 033032-000 | 1 | GRILLE ASSEMBLY, 24 |
| 3 | 033040-000 | 1 | DOOR SWITCH |
| 4 | 033041-000 | 1 | CONDENSER |
| 5 | 033024-000 | 2 | FASTENER, CONTROL MOUNTING |
| 6 | 033023-000 | 1 | CONTROLLER FACE PLATE |
| 7 | 033022-000 | 1 | CONTROLLER ASSY |
| 8 | 033026-000 | 1 | LIGHT BULB |
| 9 | 033027-000 | 1 | LIGHT SOCKET |
| NI | 033028-000 | 1 | HARNESS, CONTROLLER |
| NI | 033039-000 | 1 | HARNESS, MACHINE COMPARTMENT |
| NI | 033025-000 | 1 | SENSOR |



| Ref # | Part Number | Qty. | Description |
|-------|-------------|------|------------------------|
| 1 | 033029-000 | 1 | EVAP ASSEMBLY |
| 2 | 033030-000 | 1 | FAN MOTOR |
| 3 | 033030-000 | 1 | FAN MOTOR |
| 4 | 033034-000 | 1 | COMPRESSOR KIT |
| 5 | 033037-000 | 2 | PROCESS TUBE |
| 6 | 033035-000 | 1 | DRIER |
| 7 | 033036-000 | 1 | COMP. START COMPONENTS |
| NI | 033031-000 | 1 | HARNESS, FAN MOTOR |
| NI | 033042-000 | 1 | POWER CORD |

VIKING UC PRODUCT



- XW10L--REFRIGERATION SYSTEM CONTROLLER
- DSW-1--LIGHT AND EVAP FAN MOTOR DOOR SWITCH
- LIGHT 1--COMPARTMENT LIGHT
- EFM 1--EVAPORATOR FAN MOTOR
- CSP-1--REFRIGERATED COMPARTMENT 1 SENSOR PROBE
- CFM-1--CONDENSER FAN MOTOR

| Ref # | Part Number | Qty. | Description |
|-------|-------------|------|-------------|
|-------|-------------|------|-------------|
