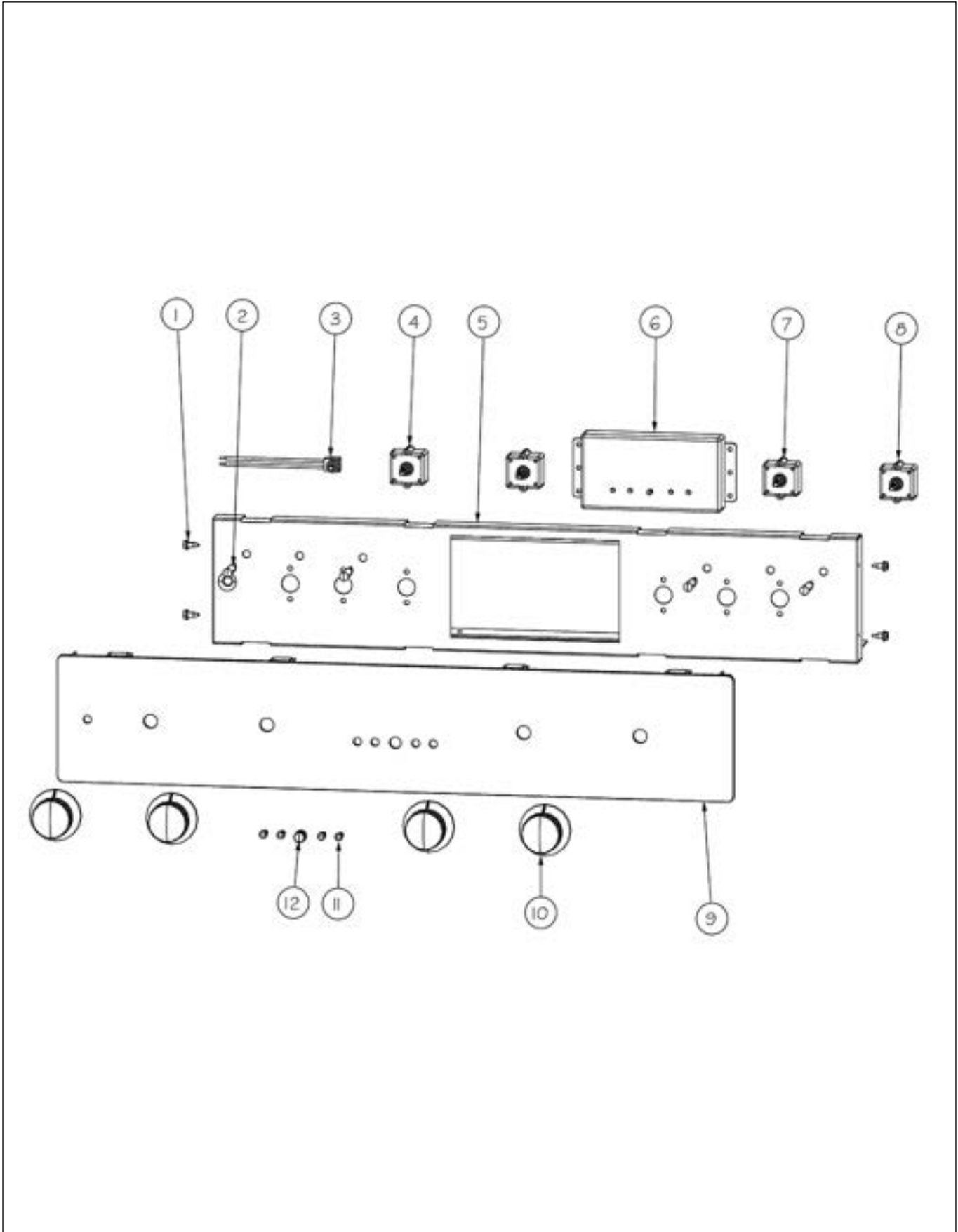


**LDDOE301**

|                              |   |
|------------------------------|---|
| CONTROL AREA .....           | 1 |
| LOWER DOOR ASSEMBLY .....    | 2 |
| LOWER EXTERIOR AREA .....    | 3 |
| LOWER OVEN CAVITY .....      | 4 |
| MIDDLE EXTERIOR AREA .....   | 5 |
| REAR UNIT AREA .....         | 6 |
| UPPER DOOR ASSEMBLY .....    | 7 |
| UPPER EXTERIOR .....         | 8 |
| UPPER OVEN CAVITY .....      | 9 |
| Appendix A:Pages Index ..... | A |
| Appendix B:Parts Index ..... | B |

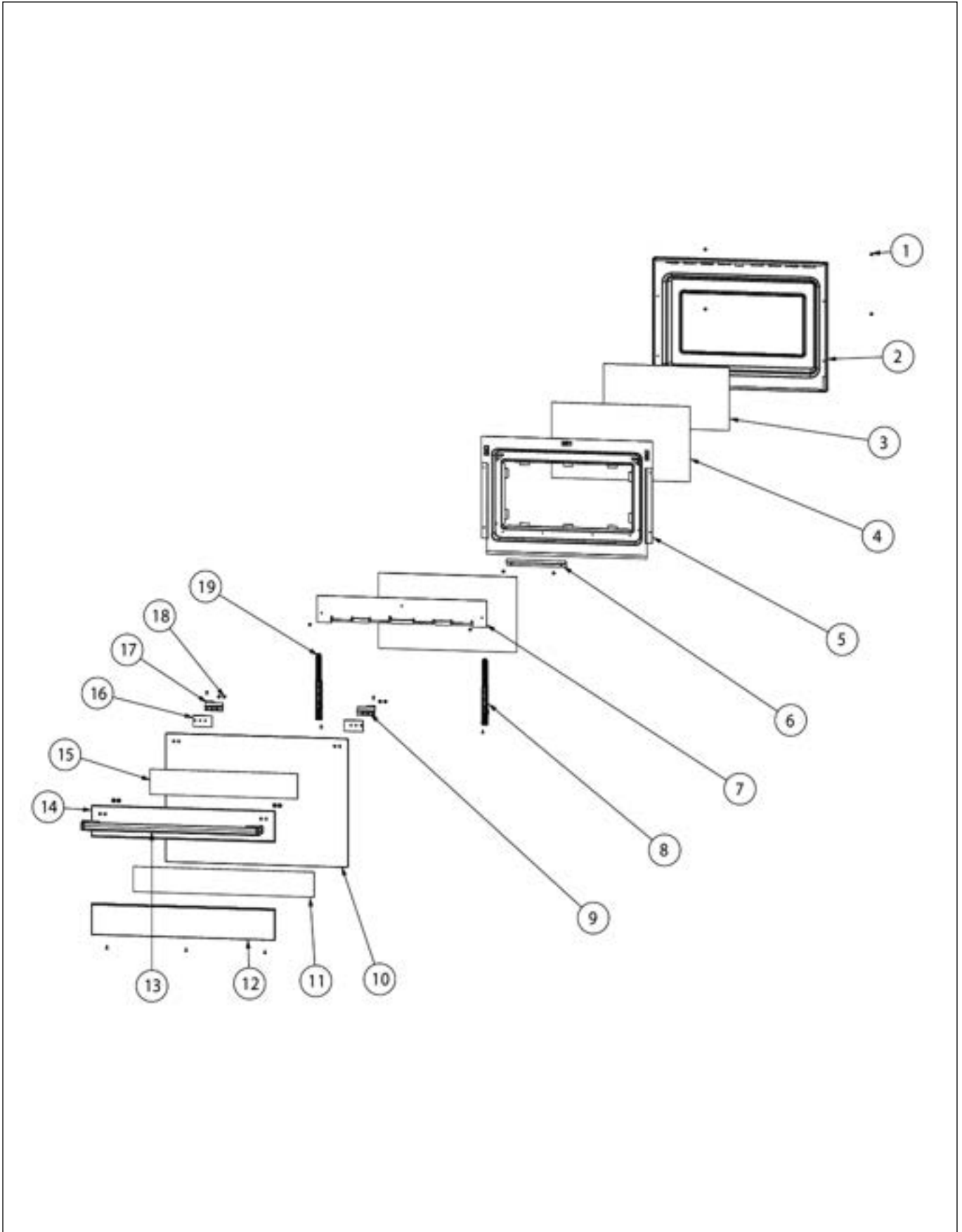
CONTROL AREA





| Item                                                                                                                      | Part No.   | Name                                                       | Qty | Uom | NOTES                                                                                     |
|---------------------------------------------------------------------------------------------------------------------------|------------|------------------------------------------------------------|-----|-----|-------------------------------------------------------------------------------------------|
| 1                                                                                                                         | 003860-000 | 10-18 x .500<br>FASTNR,SCR,HXWH,STL,ZPLT                   | 4   | EA  |                                                                                           |
| 2                                                                                                                         | 015043-000 | INDICATOR, LIGHT, BLUE LED                                 | 4   | EA  |                                                                                           |
| 3                                                                                                                         | G40015469  | LIGHT SWITCH ASSEMBLY                                      | 1   | EA  |                                                                                           |
| 4                                                                                                                         | PJ030033   | SELECTOR (10 POS)                                          | 1   | EA  |                                                                                           |
| 5                                                                                                                         | 019340-000 | CONTROL MOUNT                                              | 1   | EA  |                                                                                           |
| 6                                                                                                                         | 015195-000 | CLOCK, TOD2, DESIGNER (See<br>TC-0125-SP Service Bulletin) | 1   | EA  |                                                                                           |
| <p>Comments for Part Num. 015195-000</p> <p>gboltz@VikingRange.com on Jun 3, 2019<br/>SEE Service Bulletin TC-0125-SP</p> |            |                                                            |     |     |                                                                                           |
| 7                                                                                                                         | PJ030034   | SELECTOR, 6 POS                                            | 1   | EA  |                                                                                           |
| 8                                                                                                                         | PJ030035   | THERMOSTAT                                                 | 2   | EA  |                                                                                           |
| 9                                                                                                                         | 014719-000 | PANEL,CTRL, ASM, DBL,<br>DESIGNER                          | 1   | EA  | NO LONGER<br>AVAILABLE, Not<br>available online /<br>Call for pricing<br>and availability |
| 10                                                                                                                        | 009675-000 | KNOB                                                       | 4   | EA  |                                                                                           |
| 11                                                                                                                        | PB010315   | DES. CLOCK BUTTON                                          | 4   | EA  |                                                                                           |
| 12                                                                                                                        | PB010222   | CLOCK SET KNOB                                             | 1   | EA  | NO LONGER<br>AVAILABLE                                                                    |

# LOWER DOOR ASSEMBLY

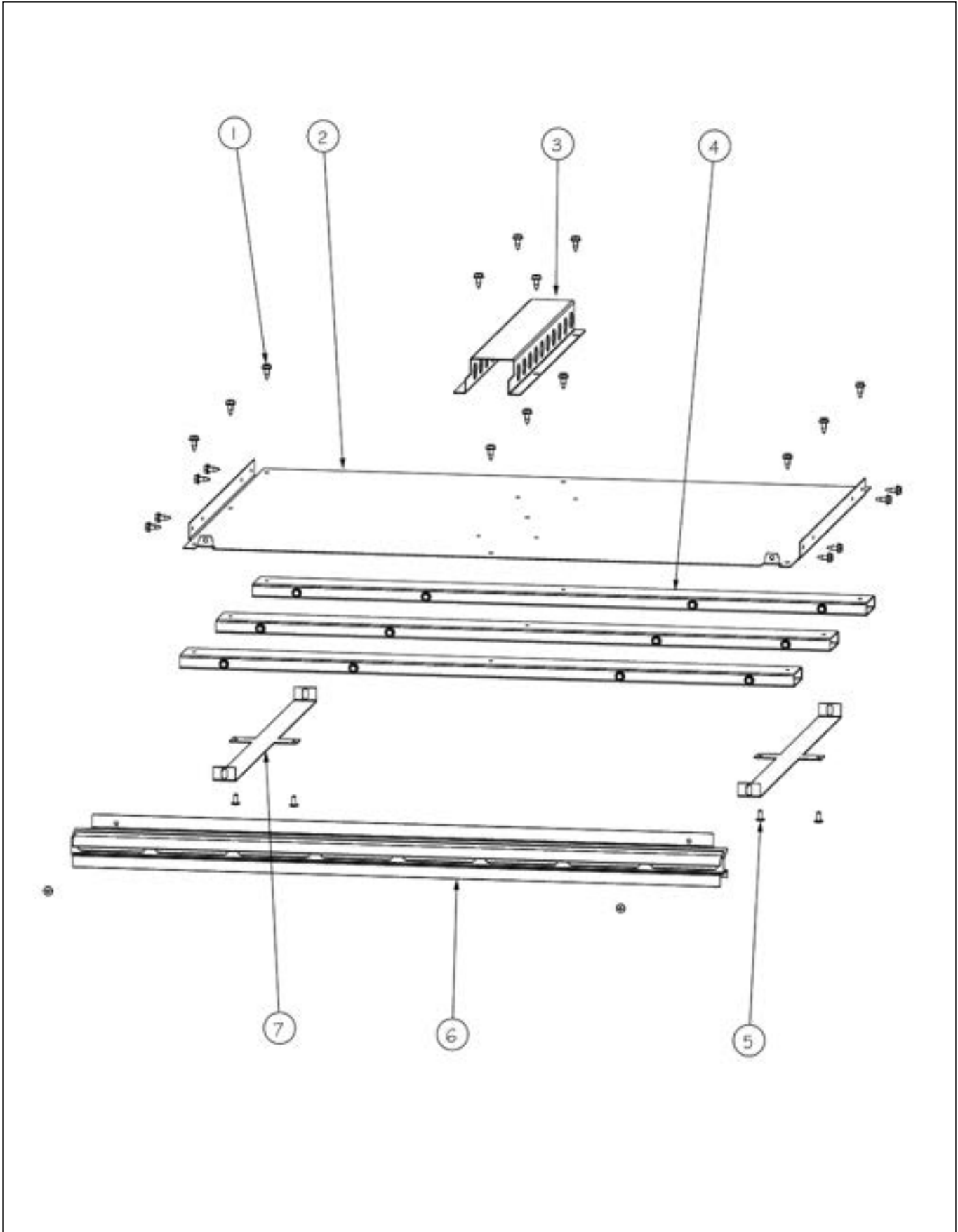


| Item | Part No.   | Name                                              | Qty | Uom | NOTES                                                             |
|------|------------|---------------------------------------------------|-----|-----|-------------------------------------------------------------------|
| 1    | 008863-000 | SCREW NO.8 - 18 X 3/8, PHIL,<br>LOW PROFILE TRUSS | 15  | EA  |                                                                   |
| 2    | 013585-000 | DOOR PLUG W/PORC                                  | 1   | EA  |                                                                   |
| 3    | 008949-000 | INNER DOOR GLASS                                  | 1   | EA  |                                                                   |
| 4    | 008952-000 | INNER DOOR GLASS                                  | 2   | EA  |                                                                   |
| 5    | 013589-000 | DOOR INS RET W/PORC                               | 1   | EA  | Not available<br>online / Call for<br>pricing and<br>availability |
| 6    | 008954-000 | RETAINER, GL, BOT                                 | 1   | EA  |                                                                   |
| 7    | 008959-000 | RETAINER, GL, TOP                                 | 1   | EA  |                                                                   |
| 8    | 008955-000 | HINGE RH                                          | 1   | EA  |                                                                   |
| 9    | 008972-000 | CLIP, GL, DOOR, RH                                | 1   | EA  |                                                                   |
| 10   | 009078-000 | OUTER DOOR DECORATIVE<br>GLASS                    | 1   | EA  |                                                                   |
| 11   | 014194-000 | 3M VHB TAPE, 4991                                 | 1   | EA  |                                                                   |
| 12   | 011640-000 | LOWER DOOR SKIN, SS, W/O<br>LOGO                  | 1   | EA  |                                                                   |
| 13   | 009602-000 | HANDLE, ASM                                       | 1   | EA  |                                                                   |
| 14   | 011639-000 | UPPER DOOR PANEL, SS                              | 1   | EA  |                                                                   |
| 15   | 014195-000 | 3M VHB TAPE, 4991, UPPER<br>DOOR                  | 1   | EA  |                                                                   |
| 16   | 008971-000 | SPACER, DOOR, HANDLE                              | 1   | EA  |                                                                   |
| 17   | 008973-000 | CLIP, GL, DOOR, LH                                | 1   | EA  |                                                                   |
| 18   | 008974-000 | SCREW 10 - 32 X 3/4 SLOT HEX<br>WASHER W/ LOCTITE | 4   | EA  |                                                                   |
| 19   | 008958-000 | HINGE LH                                          | 1   | EA  |                                                                   |
| NI   | 009092-000 | OUTER DOOR ASM, SS, W/O<br>LOGO                   | 1   | EA  |                                                                   |
| NI   | 016855-002 | OUTER DOOR ASM, W/O<br>LOGO, BK                   | 1   | EA  |                                                                   |
| NI   | 016855-006 | OUTER DOOR ASM, W/O<br>LOGO, WH                   | 1   | EA  | Not available<br>online / Call for<br>pricing and<br>availability |
| NI   | 009093-000 | DOOR ASM (SS) W/O LOGO                            | 1   | EA  |                                                                   |
| NI   | 016856-002 | DOOR ASM, W/O LOGO, BK                            | 1   | EA  | Not available<br>online / Call for<br>pricing and<br>availability |



| Item | Part No.   | Name                   | Qty | Uom | NOTES |
|------|------------|------------------------|-----|-----|-------|
| NI   | 016856-006 | DOOR ASM, W/O LOGO, WH | 1   | EA  |       |

LOWER EXTERIOR AREA

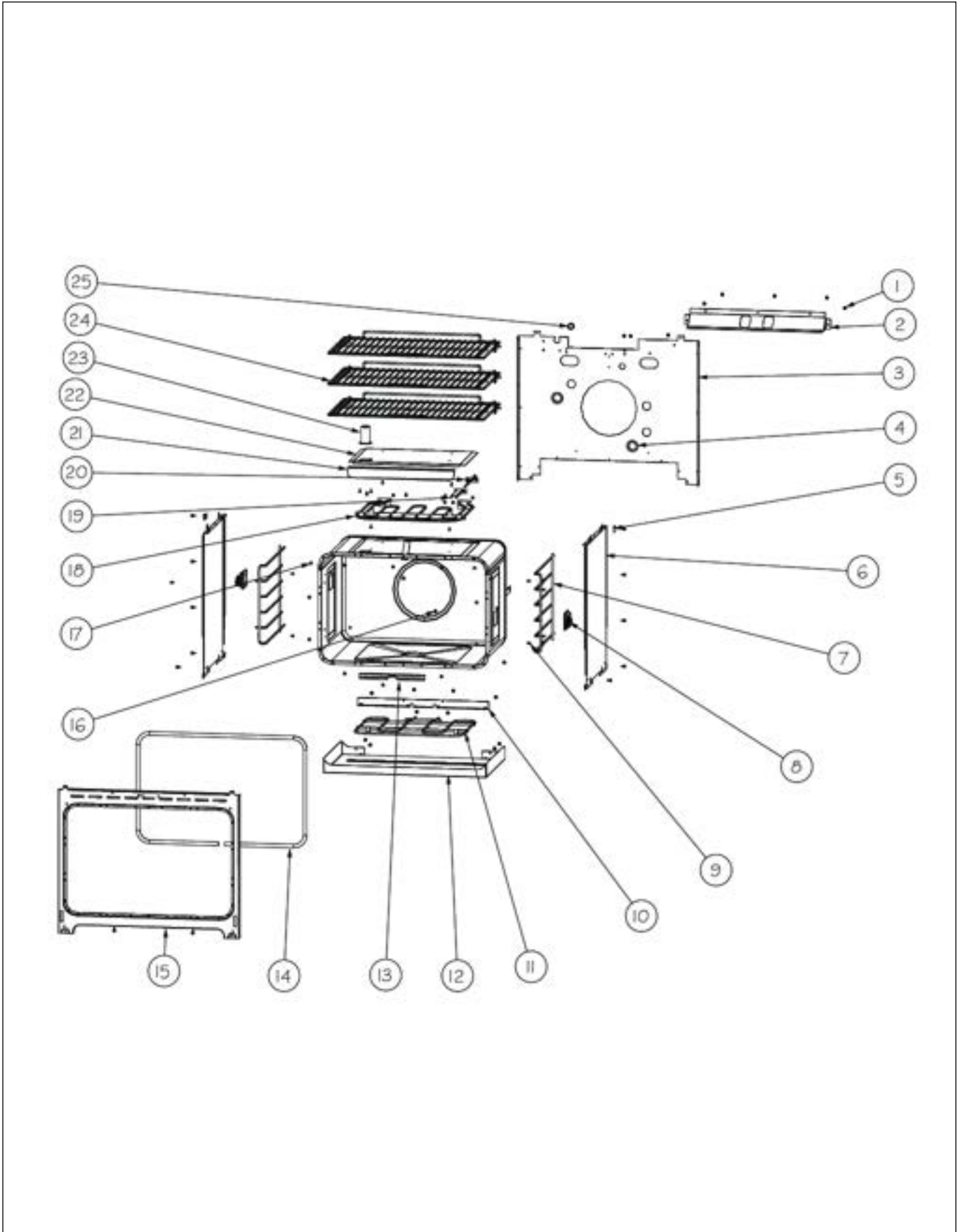






| Item | Part No.   | Name                                              | Qty | Uom | NOTES |
|------|------------|---------------------------------------------------|-----|-----|-------|
| 1    | 003860-000 | 10-18 x .500<br>FASTNR,SCR,HXWH,STL,ZPLT          | 21  | EA  |       |
| 2    | 008923-000 | BASE COVER                                        | 1   | EA  |       |
| 3    | 014278-000 | BOTTOM SUPPORT                                    | 1   | EA  |       |
| 4    | 008927-000 | CROSS BRACE ASM                                   | 3   | EA  |       |
| 5    | 008863-000 | SCREW NO.8 - 18 X 3/8, PHIL,<br>LOW PROFILE TRUSS | 6   | EA  |       |
| 6    | 009015-000 | TRIM, VENT, BTM, ASM                              | 1   | EA  |       |
| 7    | 008928-000 | SLIDE, BASE                                       | 2   | EA  |       |

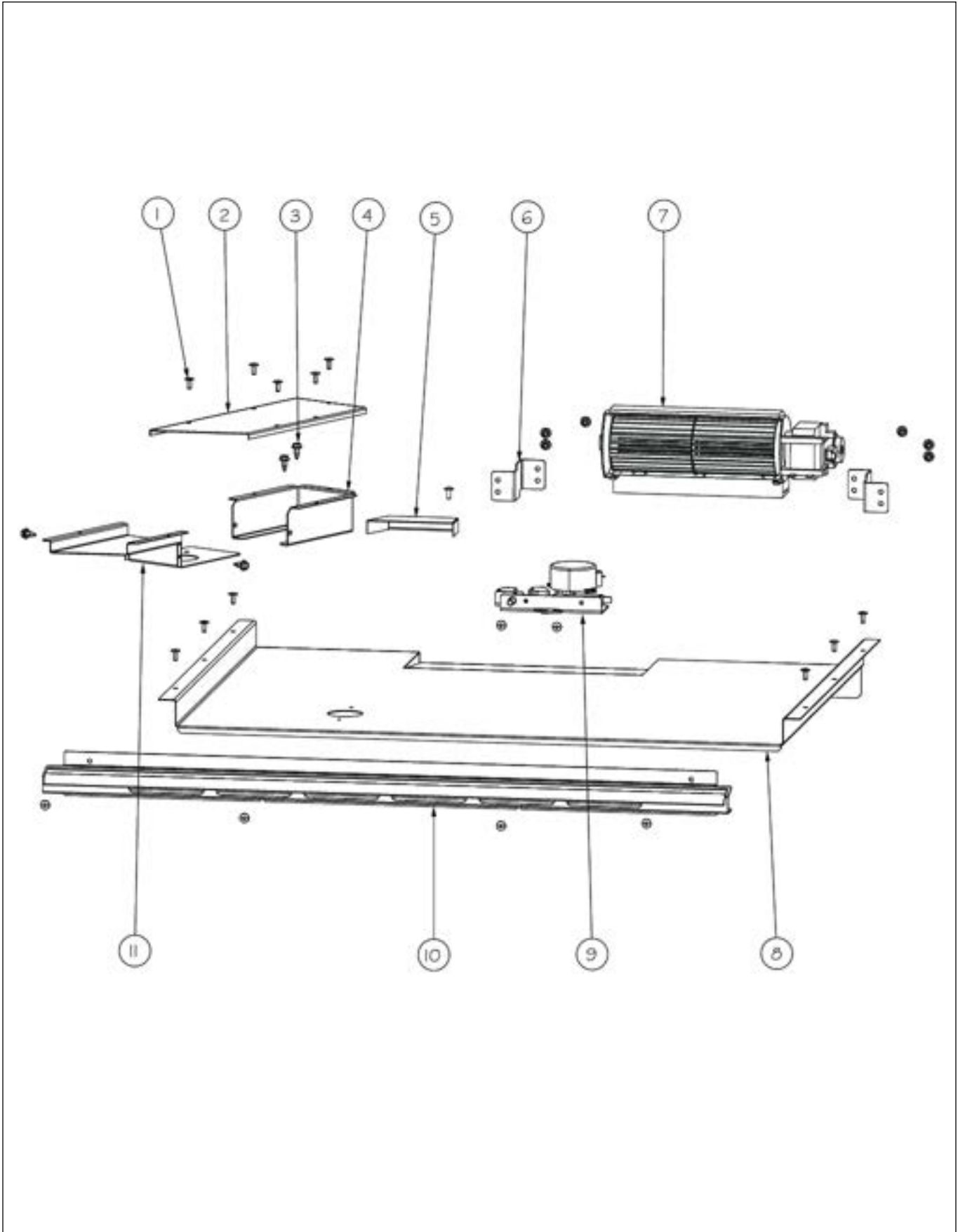
# LOWER OVEN CAVITY





| Item | Part No.   | Name                                                                | Qty | Uom | NOTES |
|------|------------|---------------------------------------------------------------------|-----|-----|-------|
| 1    | 003860-000 | 10-18 x .500<br>FASTNR,SCR,HXWH,STL,ZPLT                            | 31  | EA  |       |
| 2    | 008898-000 | INSULATION, RTNR, BOT,<br>BACK                                      | 1   | EA  |       |
| 3    | 008888-000 | BACK, INS, RETAINER                                                 | 1   | EA  |       |
| 4    | PB070320   | SILICONE EXTRUSION                                                  | 2   | EA  |       |
| 5    | 013070-000 | SIDE SPACER                                                         | 2   | EA  |       |
| 6    | 008896-000 | COVER,INSL,SIDE                                                     | 2   | EA  |       |
| 7    | 008866-000 | RACK SUPPORT W/ PORC                                                | 2   | EA  |       |
| 8    | 068038-601 | ASM, OVEN, LIGHT, 120V, 40W<br>(REPLACEMENT LAMP USE<br>078926-000) | 2   | EA  |       |
| 9    | 008863-000 | SCREW NO.8 - 18 X 3/8, PHIL,<br>LOW PROFILE TRUSS                   | 29  | EA  |       |
| 10   | 008855-000 | COVER BAKE TRAY                                                     | 1   | EA  |       |
| 11   | 021111-000 | ELEMENT, BAKE, ASM, 208V                                            | 1   | EA  |       |
| 12   | 008857-000 | BAKE ELEMENT BOX                                                    | 1   | EA  |       |
| 13   | 009005-000 | GASKET CLIP RAW                                                     | 1   | EA  |       |
| 14   | 009007-000 | DOOR GASKET                                                         | 1   | EA  |       |
| 15   | 013505-000 | FRONT FRAME W/PORC                                                  | 1   | EA  |       |
| 16   | PD020063   | SCREW-#8(A) X 3/8"PH WFR<br>HD/BK OXID                              | 2   | EA  |       |
| 17   | 008864-000 | SILICONE BUMPER                                                     | 2   | EA  |       |
| 18   | 021110-000 | ELEMENT, BROIL, ASM, 208V                                           | 1   | EA  |       |
| 19   | 008872-000 | OVEN, SNSR, COVER                                                   | 1   | EA  |       |
| 20   | 008870-000 | RTD                                                                 | 1   | EA  |       |
| 21   | 013753-000 | DEFLECTOR, BRL                                                      | 1   | EA  |       |
| 22   | 008867-000 | BROIL, REFLECTOR, PLATE                                             | 1   | EA  |       |
| 23   | 008868-000 | SMOKE ELIMINATOR                                                    | 1   | EA  |       |
| 24   | 013646-000 | RACK, OVEN, DESIGNER, 30                                            | 3   | EA  |       |
| 25   | PD040005   | SNAP BUSHING - 7/8"                                                 | 1   | EA  |       |

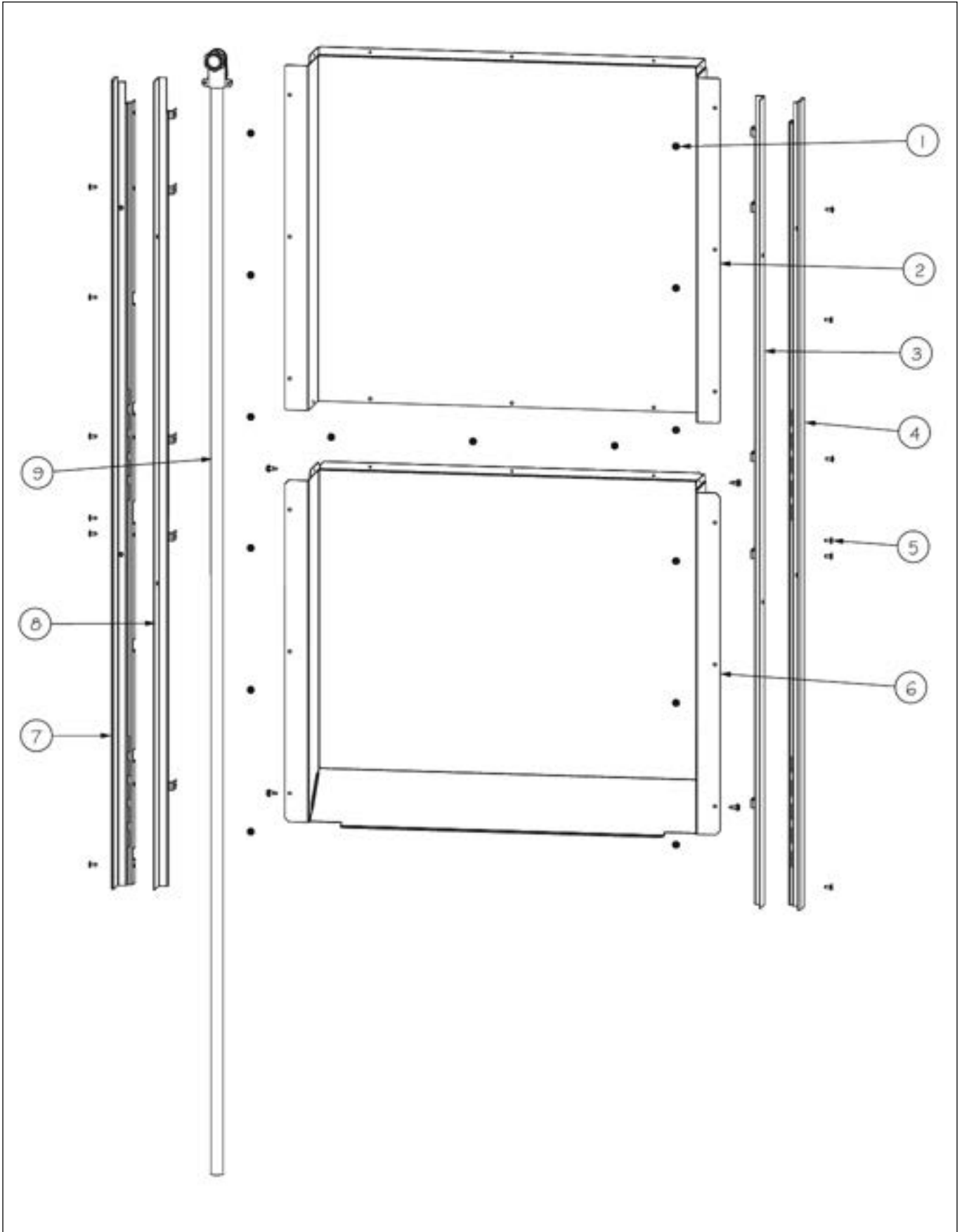
MIDDLE EXTERIOR AREA





| Item                                                                                                                                                                                                                                                                                             | Part No.   | Name                                              | Qty | Uom | NOTES |
|--------------------------------------------------------------------------------------------------------------------------------------------------------------------------------------------------------------------------------------------------------------------------------------------------|------------|---------------------------------------------------|-----|-----|-------|
| 1                                                                                                                                                                                                                                                                                                | 008863-000 | SCREW NO.8 - 18 X 3/8, PHIL,<br>LOW PROFILE TRUSS | 18  | EA  |       |
| 2                                                                                                                                                                                                                                                                                                | 008913-000 | VENT, OVEN, TOP                                   | 1   | EA  |       |
| 3                                                                                                                                                                                                                                                                                                | 003860-000 | 10-18 x .500<br>FASTNR,SCR,HXWH,STL,ZPLT          | 10  | EA  |       |
| 4                                                                                                                                                                                                                                                                                                | 008912-000 | VENT, BOX, SIDE                                   | 1   | EA  |       |
| 5                                                                                                                                                                                                                                                                                                | 008914-000 | TRIM, VENT, SEAL                                  | 1   | EA  |       |
| 6                                                                                                                                                                                                                                                                                                | 008899-000 | FAN, MTG, BRKT                                    | 2   | EA  |       |
| 7                                                                                                                                                                                                                                                                                                | PE050250   | Blower                                            | 1   | EA  |       |
| <p>Comments for Part Num. PE050250</p> <p>highendappsvc@gmail.com on Jan 28, 2019</p> <p>If you need to replace cooling fan for the model vgsc5486gss serial date code 031412, do not order this fan, this fan is larger and configured wrong. The correct fan is 007794-000. it is smaller.</p> |            |                                                   |     |     |       |
| 8                                                                                                                                                                                                                                                                                                | 008901-000 | RETAINER, INSL, TOP                               | 1   | EA  |       |
| 9                                                                                                                                                                                                                                                                                                | 035630-000 | LATCH, ELEC, DOOR ASSY                            | 1   | EA  |       |
| 10                                                                                                                                                                                                                                                                                               | 015829-000 | MID VENT ASM                                      | 1   | EA  |       |
| 11                                                                                                                                                                                                                                                                                               | 008902-000 | VENT, BOX, BOT                                    | 1   | EA  |       |

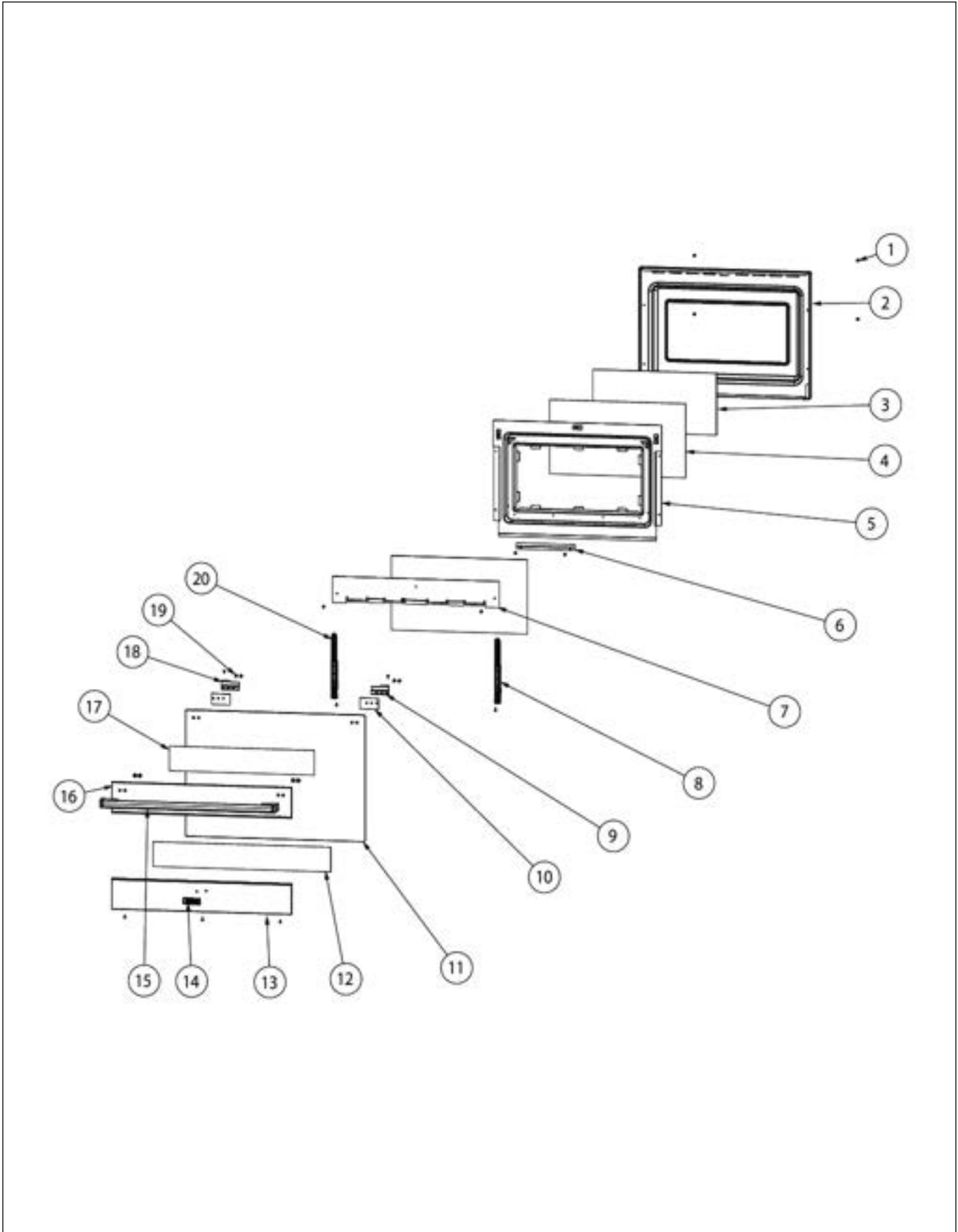
REAR UNIT AREA





| Item | Part No.   | Name                                              | Qty | Uom | NOTES                                                             |
|------|------------|---------------------------------------------------|-----|-----|-------------------------------------------------------------------|
| 1    | 003860-000 | 10-18 x .500<br>FASTNR,SCR,HXWH,STL,ZPLT          | 19  | EA  |                                                                   |
| 2    | 009008-000 | COVER, BACK, NON-REF                              | 1   | EA  | Not available<br>online / Call for<br>pricing and<br>availability |
| 3    | 009608-000 | TRIM,SIDE,RIGHT                                   | 1   | EA  |                                                                   |
| 4    | 011323-000 | DOUBLE RH SIDE TRIM<br>EXTRUSION                  | 1   | EA  |                                                                   |
| 5    | 008863-000 | SCREW NO.8 - 18 X 3/8, PHIL,<br>LOW PROFILE TRUSS | 12  | EA  |                                                                   |
| 6    | 009009-000 | COVER, BACK, LWR, NON-REF                         | 1   | EA  | Not available<br>online / Call for<br>pricing and<br>availability |
| 7    | 011324-000 | DOUBLE LH SIDE TRIM<br>EXTRUSION                  | 1   | EA  |                                                                   |
| 8    | 009607-000 | TRIM,SIDE,LEFT                                    | 1   | EA  | Not available<br>online / Call for<br>pricing and<br>availability |
| 9    | 040197-000 | CONDUIT, ELECTRICAL CORD,<br>70"                  | 1   | EA  |                                                                   |

# UPPER DOOR ASSEMBLY



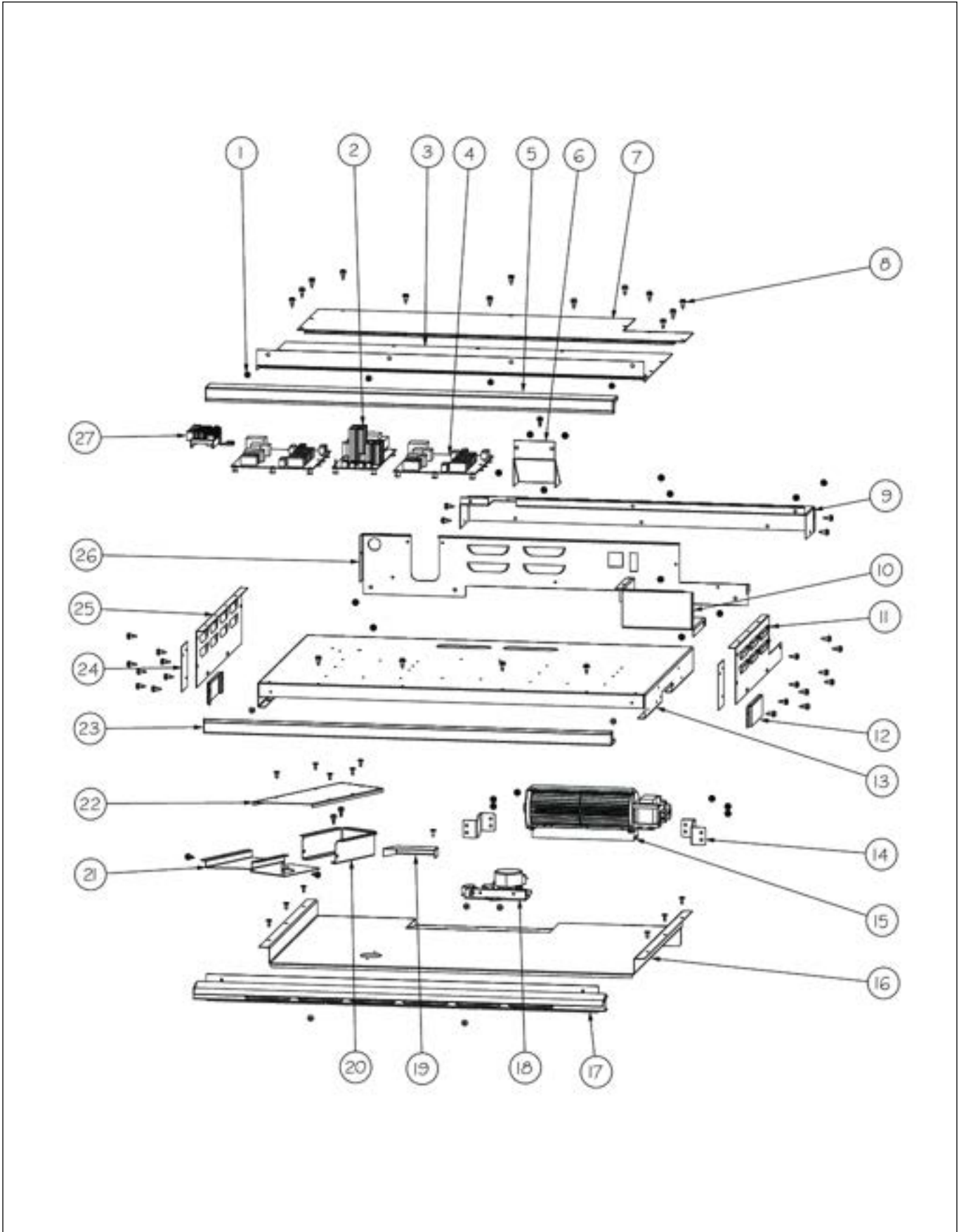


| Item | Part No.   | Name                                              | Qty | Uom | NOTES                                                             |
|------|------------|---------------------------------------------------|-----|-----|-------------------------------------------------------------------|
| 1    | 008863-000 | SCREW NO.8 - 18 X 3/8, PHIL,<br>LOW PROFILE TRUSS | 12  | EA  |                                                                   |
| 2    | 013585-000 | DOOR PLUG W/PORC                                  | 1   | EA  |                                                                   |
| 3    | 008949-000 | INNER DOOR GLASS                                  | 1   | EA  |                                                                   |
| 4    | 008952-000 | INNER DOOR GLASS                                  | 2   | EA  |                                                                   |
| 5    | 013589-000 | DOOR INS RET W/PORC                               | 1   | EA  | Not available<br>online / Call for<br>pricing and<br>availability |
| 6    | 008954-000 | RETAINER, GL, BOT                                 | 1   | EA  |                                                                   |
| 7    | 008959-000 | RETAINER, GL, TOP                                 | 1   | EA  |                                                                   |
| 8    | 008955-000 | HINGE RH                                          | 1   | EA  |                                                                   |
| 9    | 008972-000 | CLIP, GL, DOOR, RH                                | 1   | EA  |                                                                   |
| 10   | 008971-000 | SPACER, DOOR, HANDLE                              | 2   | EA  |                                                                   |
| 11   | 009078-000 | OUTER DOOR DECORATIVE<br>GLASS                    | 1   | EA  |                                                                   |
| 12   | 014194-000 | 3M VHB TAPE, 4991                                 | 1   | EA  |                                                                   |
| 13   | 014188-000 | LOWER PANEL,DOOR, SS,<br>W/LOGO                   | 1   | EA  |                                                                   |
| 14   | 013700-000 | 2.75" DESIGNER LOGO WITH<br>PINS                  | 1   | EA  |                                                                   |
| 15   | 009602-000 | HANDLE, ASM                                       | 1   | EA  |                                                                   |
| 16   | 011639-000 | UPPER DOOR PANEL, SS                              | 1   | EA  |                                                                   |
| 17   | 014195-000 | 3M VHB TAPE, 4991, UPPER<br>DOOR                  | 1   | EA  |                                                                   |
| 18   | 008973-000 | CLIP, GL, DOOR, LH                                | 1   | EA  |                                                                   |
| 19   | 008974-000 | SCREW 10 - 32 X 3/4 SLOT HEX<br>WASHER W/ LOCTITE | 4   | EA  |                                                                   |
| 20   | 008958-000 | HINGE LH                                          | 1   | EA  |                                                                   |
| NI   | 014219-000 | OUTER DOOR ASM, SS,<br>W/LOGO                     | 1   | EA  |                                                                   |
| NI   | 016854-002 | OUTER DOOR ASM, W/LOGO,<br>BK                     | 1   | EA  |                                                                   |
| NI   | 016854-006 | OUTER DOOR ASM, W/LOGO,<br>WH                     | 1   | EA  | Not available<br>online / Call for<br>pricing and<br>availability |
| NI   | 014220-000 | DOOR ASM (SS) W/ LOGO                             | 1   | EA  |                                                                   |



| Item | Part No.   | Name                 | Qty | Uom | NOTES                                                    |
|------|------------|----------------------|-----|-----|----------------------------------------------------------|
| NI   | 016853-002 | DOOR ASM, W/LOGO, BK | 1   | EA  | Not available online / Call for pricing and availability |
| NI   | 016853-006 | DOOR ASM, W/LOGO, WH | 1   | EA  | Not available online / Call for pricing and availability |

UPPER EXTERIOR



| Item | Part No.   | Name                                              | Qty | Uom | NOTES                                                             |
|------|------------|---------------------------------------------------|-----|-----|-------------------------------------------------------------------|
| 1    | 008863-000 | SCREW NO.8 - 18 X 3/8, PHIL,<br>LOW PROFILE TRUSS | 22  | EA  |                                                                   |
| 2    | 015201-000 | LINEAR POWER SUPPLY                               | 1   | EA  |                                                                   |
| 3    | 012541-000 | PANEL, ACS, FRONT                                 | 1   | EA  |                                                                   |
| 4    | 046142-571 | CONTROL, EOC4, LED, V39/V51<br>& FAMILY           | 2   | EA  |                                                                   |
| 5    | 011667-000 | TRIM, CTRL, UPPER, SS, NOT<br>FIELD REPLACEABLE   | 1   | EA  |                                                                   |
| 6    | 009004-000 | COVER, WIRE                                       | 1   | EA  | Not available<br>online / Call for<br>pricing and<br>availability |
| 7    | 015776-000 | COVER, REAR, TOP                                  | 1   | EA  |                                                                   |
| 8    | 003860-000 | 10-18 x .500<br>FASTNR,SCR,HXWH,STL,ZPLT          | 62  | EA  |                                                                   |
| 9    | 009003-000 | COVER, BACK, TOP                                  | 1   | EA  | Not available<br>online / Call for<br>pricing and<br>availability |
| 10   | 015774-000 | COVER, TOP CORNER                                 | 1   | EA  |                                                                   |
| 11   | 015777-000 | TOP SIDE, RH                                      | 1   | EA  | NO LONGER<br>AVAILABLE                                            |
| 12   | 013740-000 | COVER, SIDE, DESIGNER                             | 2   | EA  | Not available<br>online / Call for<br>pricing and<br>availability |
| 13   | 015797-000 | ELECTRONICS MOUNT                                 | 1   | EA  | Not available<br>online / Call for<br>pricing and<br>availability |
| 14   | 008899-000 | FAN, MTG, BRKT                                    | 2   | EA  |                                                                   |
| 15   | PE050250   | Blower                                            | 1   | EA  |                                                                   |

Comments for Part Num. PE050250

highendappsvc@gmail.com on Jan 28, 2019

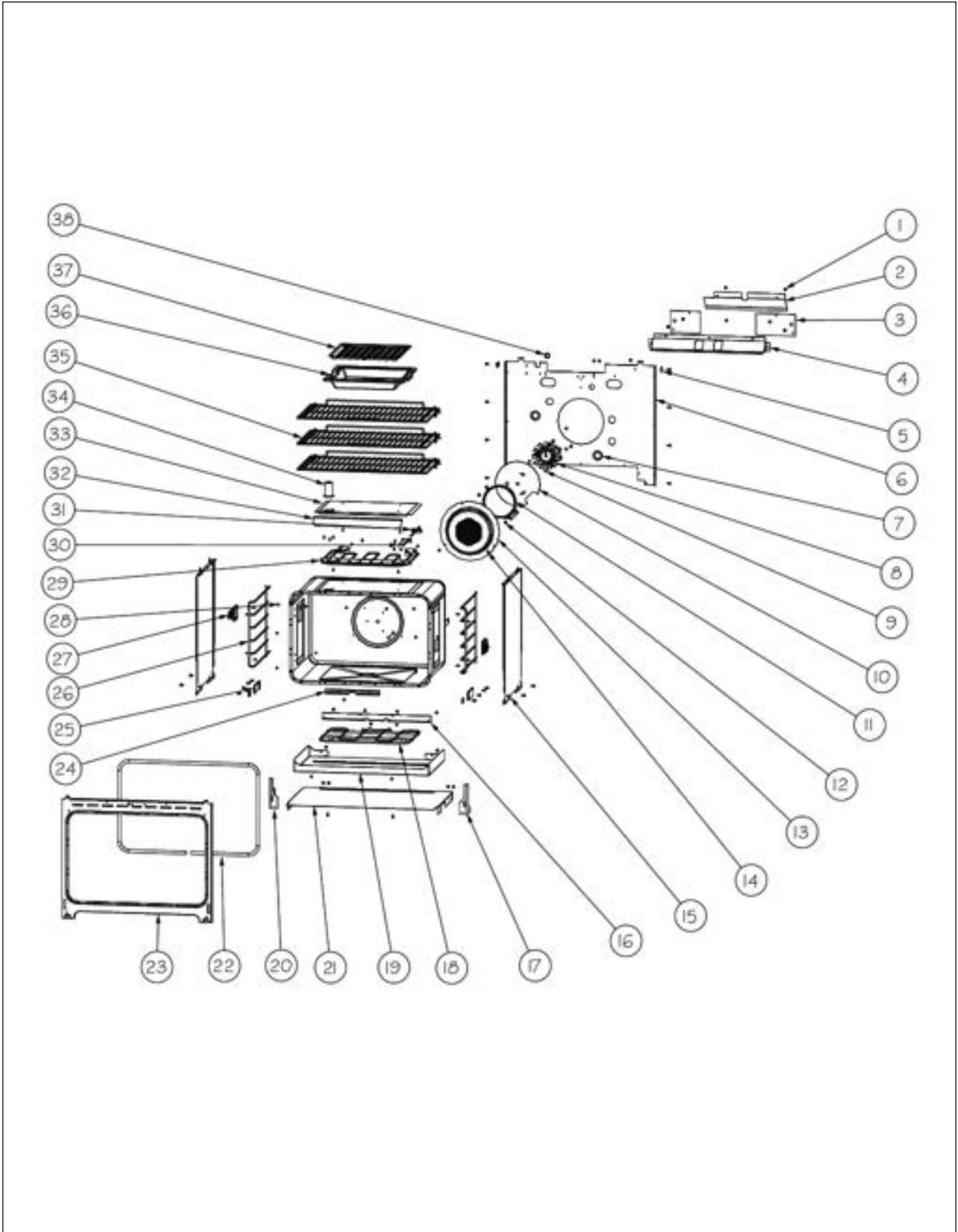
If you need to replace cooling fan for the model vgsc5486gss serial date code 031412, do not order this fan, this fan is larger and configured wrong. The correct fan is 007794-000. it is smaller.

|    |            |                        |   |    |  |
|----|------------|------------------------|---|----|--|
| 16 | 008901-000 | RETAINER, INSL, TOP    | 1 | EA |  |
| 17 | 009012-000 | UPPER VENT ASM         | 1 | EA |  |
| 18 | 035630-000 | LATCH, ELEC, DOOR ASSY | 1 | EA |  |
| 19 | 008914-000 | TRIM, VENT, SEAL       | 1 | EA |  |
| 20 | 008912-000 | VENT, BOX, SIDE        | 1 | EA |  |



| Item | Part No.   | Name                                            | Qty | Uom | NOTES                                                                                     |
|------|------------|-------------------------------------------------|-----|-----|-------------------------------------------------------------------------------------------|
| 21   | 008902-000 | VENT, BOX, BOT                                  | 1   | EA  |                                                                                           |
| 22   | 008913-000 | VENT, OVEN, TOP                                 | 1   | EA  |                                                                                           |
| 23   | 014542-000 | TRIM, CTRL, LOWER, SS, NOT<br>FIELD REPLACEABLE | 1   | EA  | MUST ALSO<br>ORDER 023199-<br>000 FOR<br>INSTALLATION                                     |
| 24   | 012542-000 | FILLER PLATE                                    | 2   | EA  | NO LONGER<br>AVAILABLE, Not<br>available online /<br>Call for pricing<br>and availability |
| 25   | 012540-000 | TOP SIDE, LH                                    | 1   | EA  | NO LONGER<br>AVAILABLE                                                                    |
| 26   | 015775-000 | PANEL, ENCL, BACK,<br>W/LOUVERS                 | 1   | EA  | NO LONGER<br>AVAILABLE, Not<br>available online /<br>Call for pricing<br>and availability |
| 27   | PE070147   | TERMINAL BLOCK (VDSC)                           | 1   | EA  |                                                                                           |

# UPPER OVEN CAVITY





| Item | Part No.   | Name                                              | Qty | Uom | NOTES                                                             |
|------|------------|---------------------------------------------------|-----|-----|-------------------------------------------------------------------|
| 1    | 003860-000 | 10-18 x .500<br>FASTNR,SCR,HXWH,STL,ZPLT          | 48  | EA  |                                                                   |
| 2    | 009010-000 | AIR DEFLECTOR                                     | 1   | EA  |                                                                   |
| 3    | 009018-000 | COVER, LWR, FAN, L                                | 1   | EA  |                                                                   |
| 4    | 008898-000 | INSULATION, RTNR, BOT,<br>BACK                    | 1   | EA  |                                                                   |
| 5    | 013070-000 | SIDE SPACER                                       | 4   | EA  |                                                                   |
| 6    | 008888-000 | BACK, INS, RETAINER                               | 1   | EA  |                                                                   |
| 7    | PB070320   | SILICONE EXTRUSION                                | 2   | EA  |                                                                   |
| 8    | 008874-000 | CONV FAN MOTOR                                    | 1   | EA  |                                                                   |
| 9    | 008877-000 | CONV MOTOR MOUNT SCREW                            | 3   | EA  | Not available<br>online / Call for<br>pricing and<br>availability |
| 10   | 008873-000 | CONVECTION, FAN,<br>INSULATION, RETAINER          | 1   | EA  |                                                                   |
| 11   | 021112-000 | ELEMENT, CNVN, ASM, 208V                          | 1   | EA  |                                                                   |
| 12   | PD020063   | SCREW-#8(A) X 3/8"PH WFR<br>HD/BK OXID            | 2   | EA  |                                                                   |
| 13   | 013580-000 | CONV, COVER, W/PORC                               | 1   | EA  |                                                                   |
| 14   | 008863-000 | SCREW NO.8 - 18 X 3/8, PHIL,<br>LOW PROFILE TRUSS | 30  | EA  |                                                                   |
| 15   | 008896-000 | COVER,INSL,SIDE                                   | 2   | EA  |                                                                   |
| 16   | 008855-000 | COVER BAKE TRAY                                   | 1   | EA  |                                                                   |
| 17   | 008895-000 | RECEIVER, HINGE, RIGHT                            | 1   | EA  |                                                                   |
| 18   | 021111-000 | ELEMENT, BAKE, ASM, 208V                          | 1   | EA  |                                                                   |
| 19   | 008857-000 | BAKE ELEMENT BOX                                  | 1   | EA  |                                                                   |
| 20   | 008894-000 | RECEIVER, HINGE, LEFT                             | 1   | EA  |                                                                   |
| 21   | 008889-000 | BOTTOM, INSULATION, RTNR                          | 1   | EA  |                                                                   |
| 22   | 009007-000 | DOOR GASKET                                       | 1   | EA  |                                                                   |
| 23   | 013505-000 | FRONT FRAME W/PORC                                | 1   | EA  |                                                                   |
| 24   | 009005-000 | GASKET CLIP RAW                                   | 1   | EA  |                                                                   |
| 25   | 013740-000 | COVER, SIDE, DESIGNER                             | 2   | EA  | Not available<br>online / Call for<br>pricing and<br>availability |
| 26   | 008866-000 | RACK SUPPORT W/ PORC                              | 1   | EA  |                                                                   |



| Item | Part No.   | Name                                                                | Qty | Uom | NOTES                                                             |
|------|------------|---------------------------------------------------------------------|-----|-----|-------------------------------------------------------------------|
| 27   | 068038-601 | ASM, OVEN, LIGHT, 120V, 40W<br>(REPLACEMENT LAMP USE<br>078926-000) | 2   | EA  |                                                                   |
| 28   | 008864-000 | SILICONE BUMPER                                                     | 2   | EA  |                                                                   |
| 29   | 021110-000 | ELEMENT, BROIL, ASM, 208V                                           | 1   | EA  |                                                                   |
| 30   | 008872-000 | OVEN, SNSR, COVER                                                   | 1   | EA  |                                                                   |
| 31   | 008870-000 | RTD                                                                 | 1   | EA  |                                                                   |
| 32   | 013753-000 | DEFLECTOR, BRL                                                      | 1   | EA  |                                                                   |
| 33   | 008867-000 | BROIL, REFLECTOR, PLATE                                             | 1   | EA  |                                                                   |
| 34   | 008868-000 | SMOKE ELIMINATOR                                                    | 1   | EA  |                                                                   |
| 35   | 013646-000 | RACK, OVEN, DESIGNER, 30                                            | 3   | EA  |                                                                   |
| 36   | 014923-000 | PAN, BROILER, BLUE<br>PORCELAIN                                     | 1   | EA  |                                                                   |
| 37   | 014924-000 | INSERT, BROILER PAN, BLUE<br>PORCELAIN                              | 1   | EA  | Not available<br>online / Call for<br>pricing and<br>availability |
| 38   | PD040005   | SNAP BUSHING - 7/8"                                                 | 1   | EA  |                                                                   |





Appendix A:Pages Index

CONTROL AREA ..... 1  
LOWER DOOR ASSEMBLY ..... 2  
LOWER EXTERIOR AREA ..... 3  
LOWER OVEN CAVITY ..... 4  
MIDDLE EXTERIOR AREA ..... 5  
REAR UNIT AREA ..... 6  
UPPER DOOR ASSEMBLY ..... 7  
UPPER EXTERIOR ..... 8  
UPPER OVEN CAVITY ..... 9



Appendix B:Parts Index

|            |                        |            |      |
|------------|------------------------|------------|------|
| 003860-000 | 1, 3, 4, 5, 6, 8, 9    | 009005-000 | 4, 9 |
| 008855-000 | 4, 9                   | 009007-000 | 4, 9 |
| 008857-000 | 4, 9                   | 009008-000 | 6    |
| 008863-000 | 2, 3, 4, 5, 6, 7, 8, 9 | 009009-000 | 6    |
| 008864-000 | 4, 9                   | 009010-000 | 9    |
| 008866-000 | 4, 9                   | 009012-000 | 8    |
| 008867-000 | 4, 9                   | 009015-000 | 3    |
| 008868-000 | 4, 9                   | 009018-000 | 9    |
| 008870-000 | 4, 9                   | 009078-000 | 2, 7 |
| 008872-000 | 4, 9                   | 009092-000 | 2    |
| 008873-000 | 9                      | 009093-000 | 2    |
| 008874-000 | 9                      | 009602-000 | 2, 7 |
| 008877-000 | 9                      | 009607-000 | 6    |
| 008888-000 | 4, 9                   | 009608-000 | 6    |
| 008889-000 | 9                      | 009675-000 | 1    |
| 008894-000 | 9                      | 011323-000 | 6    |
| 008895-000 | 9                      | 011324-000 | 6    |
| 008896-000 | 4, 9                   | 011639-000 | 2, 7 |
| 008898-000 | 4, 9                   | 011640-000 | 2    |
| 008899-000 | 5, 8                   | 011667-000 | 8    |
| 008901-000 | 5, 8                   | 012540-000 | 8    |
| 008902-000 | 5, 8                   | 012541-000 | 8    |
| 008912-000 | 5, 8                   | 012542-000 | 8    |
| 008913-000 | 5, 8                   | 013070-000 | 4, 9 |
| 008914-000 | 5, 8                   | 013505-000 | 4, 9 |
| 008923-000 | 3                      | 013580-000 | 9    |
| 008927-000 | 3                      | 013585-000 | 2, 7 |
| 008928-000 | 3                      | 013589-000 | 2, 7 |
| 008949-000 | 2, 7                   | 013646-000 | 4, 9 |
| 008952-000 | 2, 7                   | 013700-000 | 7    |
| 008954-000 | 2, 7                   | 013740-000 | 8, 9 |
| 008955-000 | 2, 7                   | 013753-000 | 4, 9 |
| 008958-000 | 2, 7                   | 014188-000 | 7    |
| 008959-000 | 2, 7                   | 014194-000 | 2, 7 |
| 008971-000 | 2, 7                   | 014195-000 | 2, 7 |
| 008972-000 | 2, 7                   | 014219-000 | 7    |
| 008973-000 | 2, 7                   | 014220-000 | 7    |
| 008974-000 | 2, 7                   | 014278-000 | 3    |
| 009003-000 | 8                      | 014542-000 | 8    |
| 009004-000 | 8                      | 014719-000 | 1    |
|            |                        | 014923-000 | 9    |



014924-000 ..... 9  
015043-000 ..... 1  
015195-000 ..... 1  
015201-000 ..... 8  
015774-000 ..... 8  
015775-000 ..... 8  
015776-000 ..... 8  
015777-000 ..... 8  
015797-000 ..... 8  
015829-000 ..... 5  
016853-002 ..... 7  
016853-006 ..... 7  
016854-002 ..... 7  
016854-006 ..... 7  
016855-002 ..... 2  
016855-006 ..... 2  
016856-002 ..... 2  
016856-006 ..... 2  
019340-000 ..... 1  
021110-000 ..... 4, 9  
021111-000 ..... 4, 9  
021112-000 ..... 9  
035630-000 ..... 5, 8  
040197-000 ..... 6  
046142-571 ..... 8  
068038-601 ..... 4, 9  
G40015469 ..... 1  
PB010222 ..... 1  
PB010315 ..... 1  
PB070320 ..... 4, 9  
PD020063 ..... 4, 9  
PD040005 ..... 4, 9  
PE050250 ..... 5, 8  
PE070147 ..... 8  
PJ030033 ..... 1  
PJ030034 ..... 1  
PJ030035 ..... 1