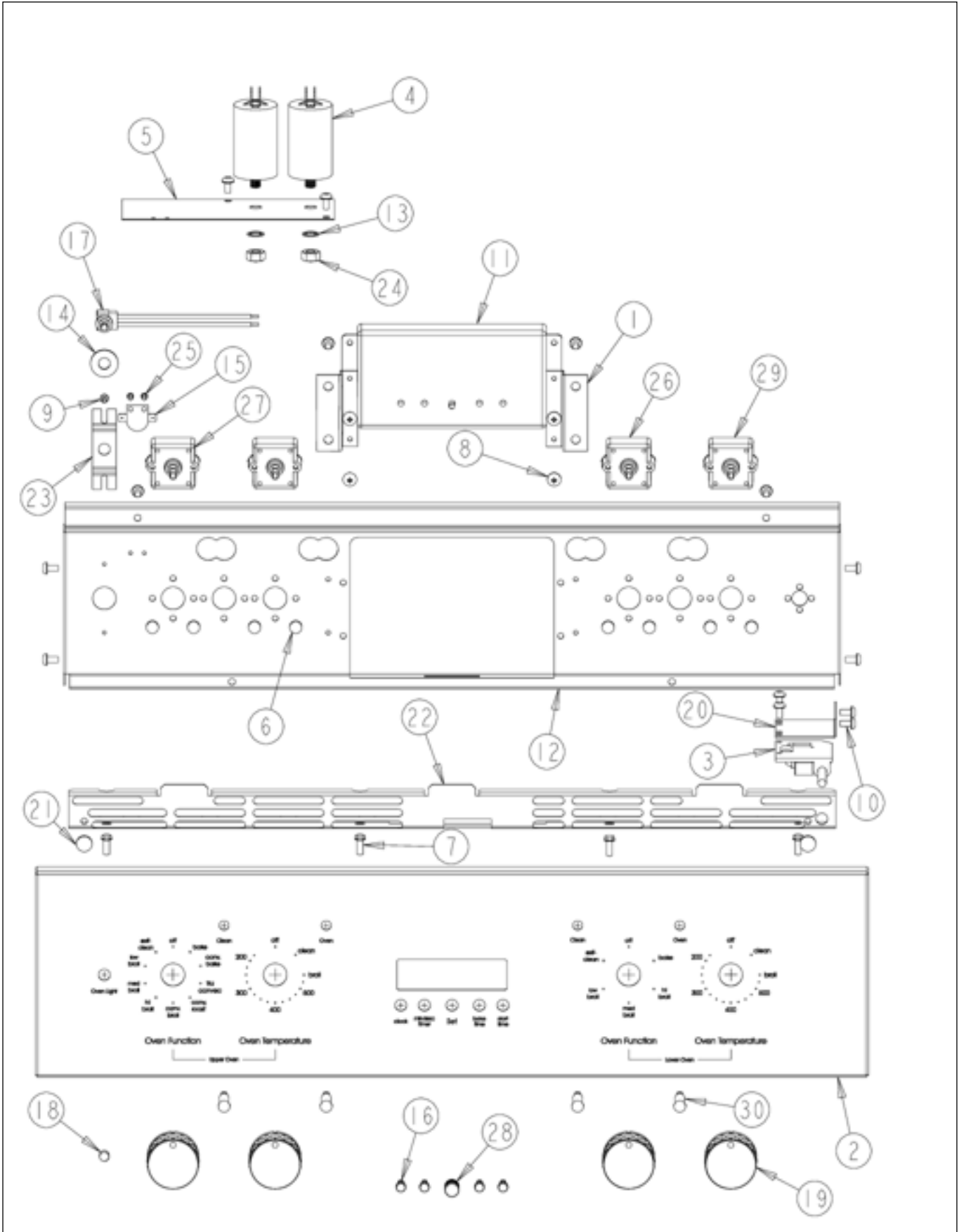


LDEDO127

CONTROL AREA	1
LOWER CONTROL HARNESS	2
LOWER DOOR	3
LOWER LATCH HARNESS	4
LOWER OVEN LOWER AREA	5
LOWER OVEN MAIN CAVITY INTERIOR	6
MAIN OVEN CAVITY EXTERIOR	7
MIDDLE UNIT AND SIDE TRIM	8
REAR UNIT AREA	9
SIMPLE HARNESSES 1	10
SIMPLE HARNESSES 2	11
UPPER CONTROL HARNESS	12
UPPER DOOR	13
UPPER OVEN CAVITY	14
UPPER OVEN LOWER AREA	15
UPPER OVEN MAIN CAVITY INTERIOR	16
UPPER UNIT AREA AFTER 07-20-06	17
UPPER UNIT AREA BEFORE 07-20-06	18
Appendix A:Pages Index	A
Appendix B:Parts Index	B

CONTROL AREA





Item	Part No.	Name	Qty	Uom	NOTES
1	A20012638	CLOCK BRACKET	1	EA	NO LONGER AVAILABLE, Not available online / Call for pricing and availability
2	B92012629	27" PREM. DOUBLE CONTROL PNL.	1	EA	NO LONGER AVAILABLE
Not Shown	C92012629BK	27" PREM. DOUBLE CONTROL PNL. *BK*	1	EA	NO LONGER AVAILABLE, Not available online / Call for pricing and availability
Not Shown	C92012629BT	27" PREM. DOUBLE CONTROL PNL. *BT*	1	EA	NO LONGER AVAILABLE, Not available online / Call for pricing and availability
Not Shown	C92012629GG	27" PREM. DOUBLE CONTROL PNL. *GG*	1	EA	NO LONGER AVAILABLE, Not available online / Call for pricing and availability
Not Shown	C92012629SG	27" PREM. DOUBLE CONTROL PNL. *SG*	1	EA	NO LONGER AVAILABLE, Not available online / Call for pricing and availability
Not Shown	C92012629WH	27" PREM. DOUBLE CONTROL PNL. *WH*	1	EA	NO LONGER AVAILABLE, Not available online / Call for pricing and availability
3	PE050208	DOOR SWITCH	1	EA	
4	036047-000	CAPACITOR, CONV MOTOR, INTL	1	EA	
5	A10014028	2 CAPACITOR BRACKET	1	EA	
<p>Comments for Part Num. A10014028</p> <p>service@priorityappliance.com on Jan 17, 2019</p> <p>The capacitors are part # 036047-000, found by looking up a VEDO130. Confirmed - they're the same capacitor.</p>					
6	PD020261	' #8-32X1/2" PH PANHEAD MACH. SCREW	1	EA	
7	PD020060	10 X 1/2" (5/16)HEX WSHER HD.(T)A	1	EA	
8	PD010003	10-24 X 1/2 PH.TR.HD.SERD.M.S.	1	EA	
9	PD020006	' #6-32 X 1/4" PH.PAN HD. T(F)	1	EA	

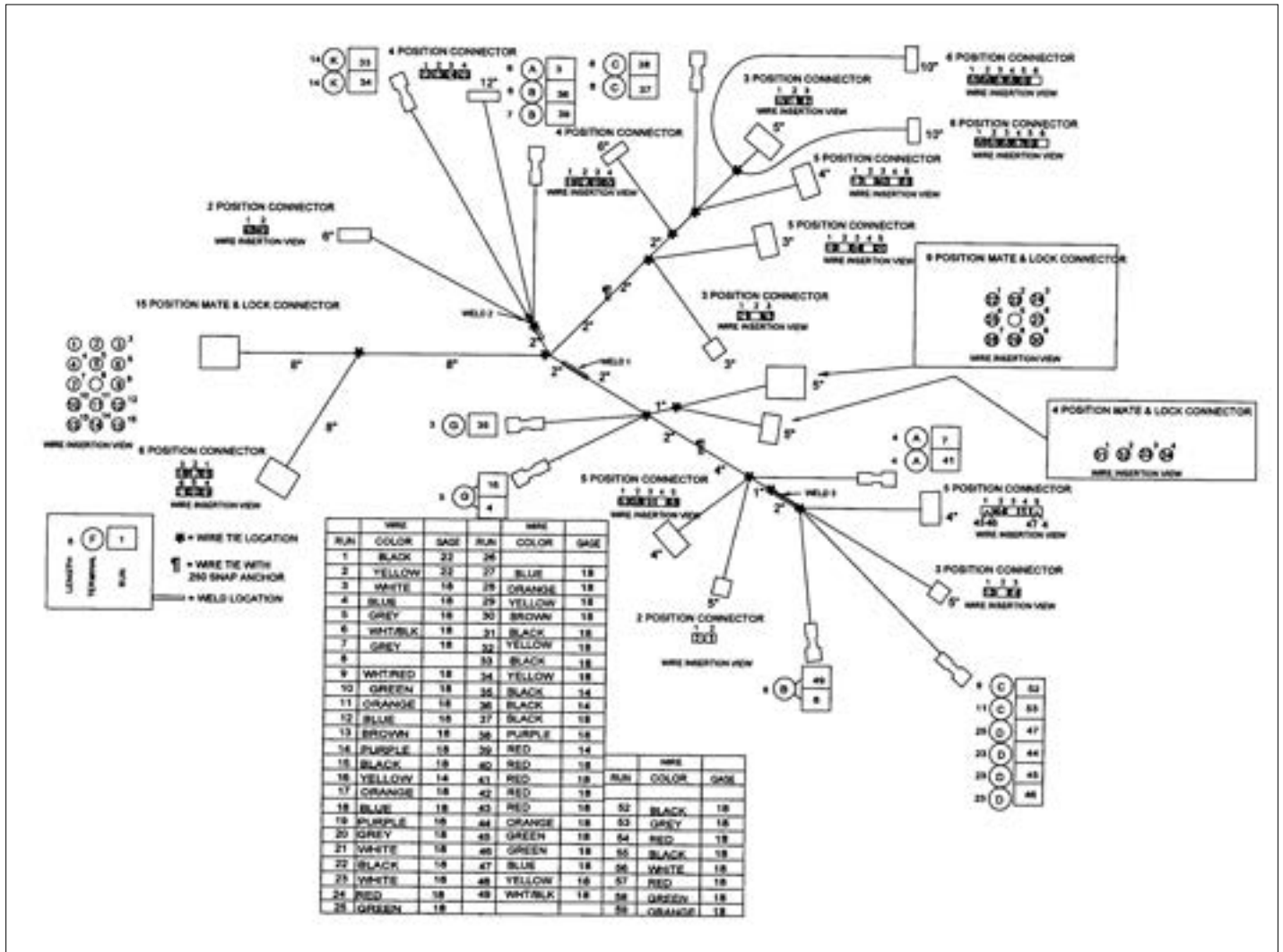


Item	Part No.	Name	Qty	Uom	NOTES
10	PD020004	10X3/8PH.HD.TYPE 25 REPL PD040125	1	EA	
11	PE050214	CLOCK (DIGITAL 230V 50/60HZ)	1	EA	
12	A20012636	27" CONTROL MTG. PANEL	1	EA	NO LONGER AVAILABLE, Not available online / Call for pricing and availability
13	PD040164	5/16 INTERNAL TOOTH LOCK WASHER TYPE A	1	EA	
14	PD040160	3/8" STEEL WASHER	1	EA	
15	G50015486	DESIGNER LIMIT SWITCH KIT	1	EA	
Not Shown	NOTE	(BEFORE 07-24-06)		EA	
Not Shown	PJ030043	BI-METAL THERMOSTAT	1	EA	
Not Shown	NOTE	(AFTER 07-24-06)		EA	
16	PB010315	DES. CLOCK BUTTON	1	EA	
17	G40015469	LIGHT SWITCH ASSEMBLY	1	EA	
18	PA010093	DESIGNER OVEN LT SWITCH KNOB	1	EA	
Not Shown	PA010093PVD	DESIGNER OVEN LT SWITCH KNOB-BRASS	1	EA	
19	PA010194	DES. SELECTOR/THERMOSTAT KNOB	1	EA	
Not Shown	PA010194PVD	DES. SELECTOR/THERMOSTAT KNOB-BRASS	1	EA	
Not Shown	PA010195	DES. SELECTOR/THERMOSTAT KNOB - GREY	1	EA	NO LONGER AVAILABLE
Not Shown	PA010195PVD	SELECTOR / THERMOSTAT KNOB - GR / BR	1	EA	Not available online / Call for pricing and availability
20	A20012649	DOOR SWITCH BRACKET	1	EA	
21	PD040004	GROMMET BUMPER	1	EA	
22	C90014073BK	27" INLET GRILL	1	EA	
23	A10014045	LIGHT SWITCH BRACKET	1	EA	
24	PD030172	M8 X 1.25MM NUT	1	EA	



Item	Part No.	Name	Qty	Uom	NOTES
25	PD020013	TYPE "AB" #6 X 3/8 PH PAN HD. SMS	1	EA	
26	PJ030034	SELECTOR, 6 POS	1	EA	
27	PJ030033	SELECTOR (10 POS)	1	EA	
28	PB010314	TEST DESIGNER BIT GENERATOR KNOB	1	EA	
Not Shown	PB010314PVD	TEST DESIGNER BIT GENERATOR KNOB-BRASS	1	EA	
29	PJ030035	THERMOSTAT	1	EA	
30	PE050078	VECU POWER LIGHT	1	EA	

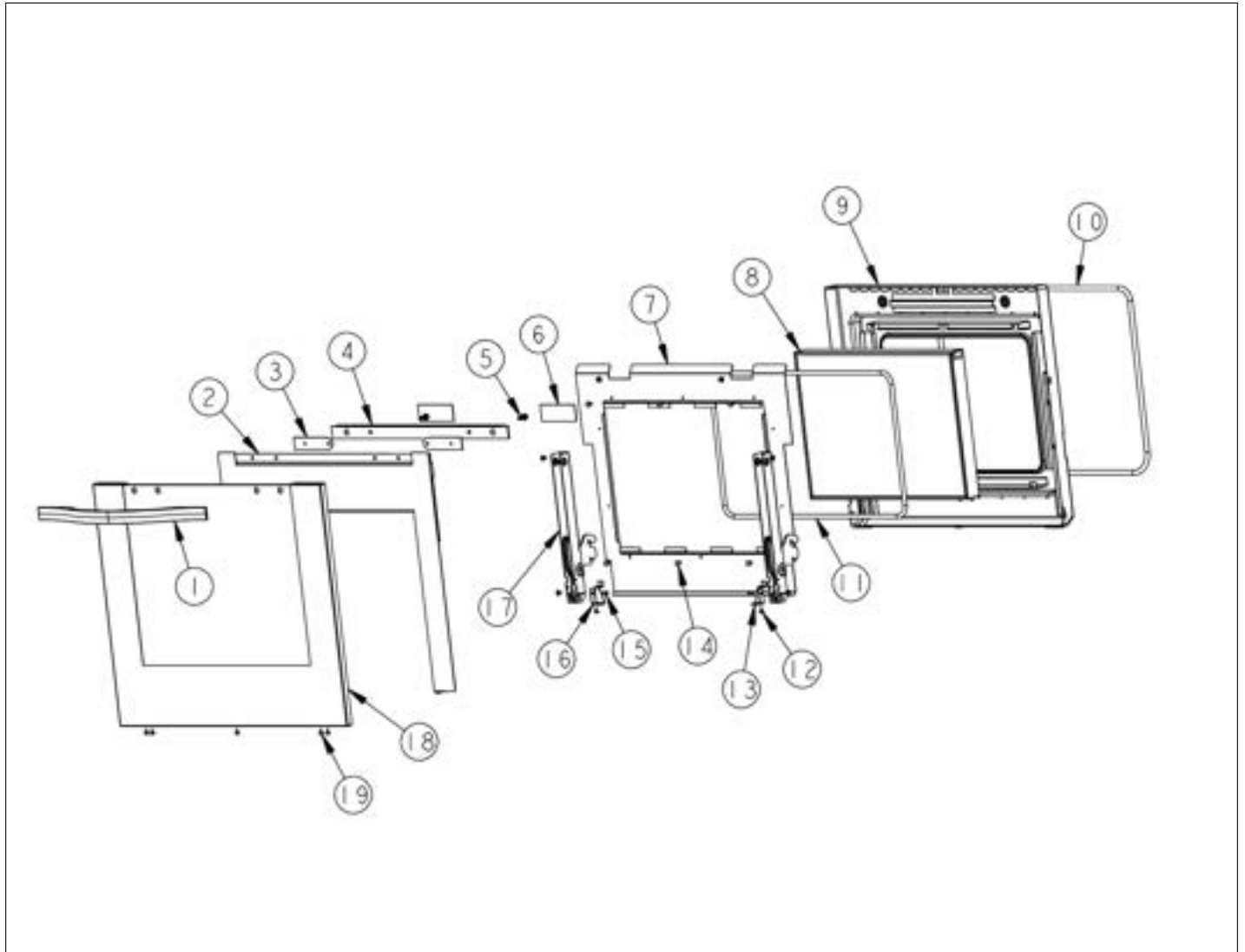
LOWER CONTROL HARNESS





Item	Part No.	Name	Qty	Uom	NOTES
1	PE070736	LOWER CONTROL HARNESS	1	EA	

LOWER DOOR





Item	Part No.	Name	Qty	Uom	NOTES
1	PE030167	30" DOOR HANDLE	1	EA	
Not Shown	PE030167PVD	30" DOOR HANDLE PVD	1	EA	NO LONGER AVAILABLE
2	001498-000	Designer 27" Insulation Retainer Kit	1	EA	
3	PC050002	DESIGNER DOOR HANDLE SPACER	1	EA	
4	PE040285	DESIGNER DOOR TRIM	1	EA	Not available online / Call for pricing and availability
5	PD020186	1/4"-20 X 3/4" HEX WASHER HEAD MS	1	EA	Not available online / Call for pricing and availability
6	PB070336	Door Bracket Insulation	1	EA	
7	A20010949	PANEL, INSULATION, INNNER DOOR	1	EA	
8	PE060093	27" WINDOW PACK	1	EA	
9	G91010942	DOOR LINER PORC.	1	EA	
<p>Comments for Part Num. G91010942</p> <p>gboltz@VikingRange.com on Jun 7, 2016</p> <p>Correct part number is G91019042BK</p>					
10	PB070245	27" DOOR GASKET	1	EA	
11	000594-000	BLACK FIBERGLASS ROPE 3/8"	1	EA	
12	PD020063	SCREW-#8(A) X 3/8"PH WFR HD/BK OXID	1	EA	
13	A20012640	HINGE SUPPORT RH	1	EA	
14	PD020002	10 X 1/2 PH.TR.HD.SMS.	1	EA	
15	PD020004	10X3/8PH.HD.TYPE 25 REPL PD040125	1	EA	
16	A20012641	HINGE SUPPORT LH	1	EA	
17	006071-000	DOOR HINGE	1	EA	
18	001454-002	27 in Des Door Skin Kit w/o Logo - BK	1	EA	Not available online / Call for pricing and availability

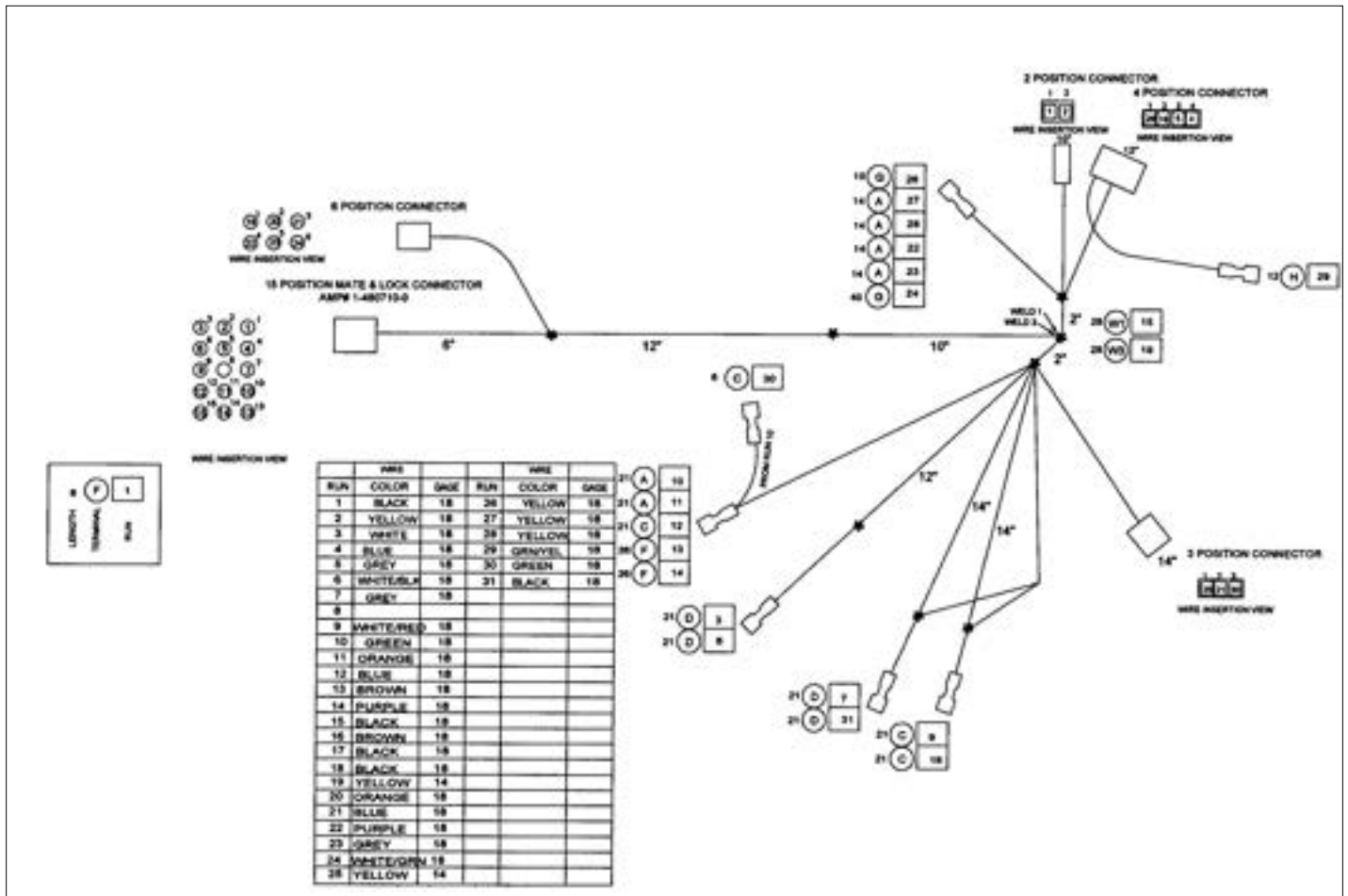


Item	Part No.	Name	Qty	Uom	NOTES
Not Shown	001454-003	27 in Des. Door Skin Kit w/o Logo - BT	1	EA	NO LONGER AVAILABLE, Not available online / Call for pricing and availability
Not Shown	001454-005	27 in Des. Door Skin Kit w/o Logo - GG	1	EA	NO LONGER AVAILABLE, Not available online / Call for pricing and availability
Not Shown	001454-004	27 in Des Door Skin Kit w/o Logo - SG	1	EA	NO LONGER AVAILABLE, Not available online / Call for pricing and availability
Not Shown	001454-000	27 in Des. Door Skin Kit w/o Logo - SS	1	EA	
Not Shown	001454-006	27 in Des. Door Skin Kit w/o Logo - WH	1	EA	
19	PD020032	SRW-8(A)X3/8"PH.WFR HD 7/16DIA*NICL	1	EA	
NI	G32014007BK	27" DOOR ASSY W/O LOGO *BK*	1	EA	NO LONGER AVAILABLE
Not Shown	G32014007BKBR	27" DOOR ASSY W/O LOGO *BKBR*	1	EA	NO LONGER AVAILABLE, Not available online / Call for pricing and availability
Not Shown	G32014007BT	27" DOOR ASSY W/O LOGO *BT*	1	EA	NO LONGER AVAILABLE, Not available online / Call for pricing and availability
Not Shown	G32014007BTBR	27" DOOR ASSY W/O LOGO *BTBR*	1	EA	NO LONGER AVAILABLE, Not available online / Call for pricing and availability
Not Shown	G32014007GG	27" DOOR ASSY W/O LOGO *GG*	1	EA	NO LONGER AVAILABLE, Not available online / Call for pricing and availability
Not Shown	G32014007GGBR	27" DOOR ASSY W/O LOGO *GGBR*	1	EA	NO LONGER AVAILABLE, Not available online / Call for pricing and availability



Item	Part No.	Name	Qty	Uom	NOTES
Not Shown	G32014007SG	27" DOOR ASSY W/O LOGO *SG*	1	EA	NO LONGER AVAILABLE, Not available online / Call for pricing and availability
Not Shown	G32014007SGBR	27" DOOR ASSY W/O LOGO *SGBR*	1	EA	NO LONGER AVAILABLE, Not available online / Call for pricing and availability
Not Shown	G32014007SS	27" DOOR ASSY W/O LOGO	1	EA	
Not Shown	G32014007SSBR	27" DOOR ASSY W/O LOGO *SSBR*	1	EA	NO LONGER AVAILABLE, Not available online / Call for pricing and availability
Not Shown	G32014007WH	27" DOOR ASSY W/O LOGO *WH*	1	EA	NO LONGER AVAILABLE, Not available online / Call for pricing and availability
Not Shown	G32014007WHBR	27" DOOR ASSY W/O LOGO *WHBR*	1	EA	NO LONGER AVAILABLE, Not available online / Call for pricing and availability

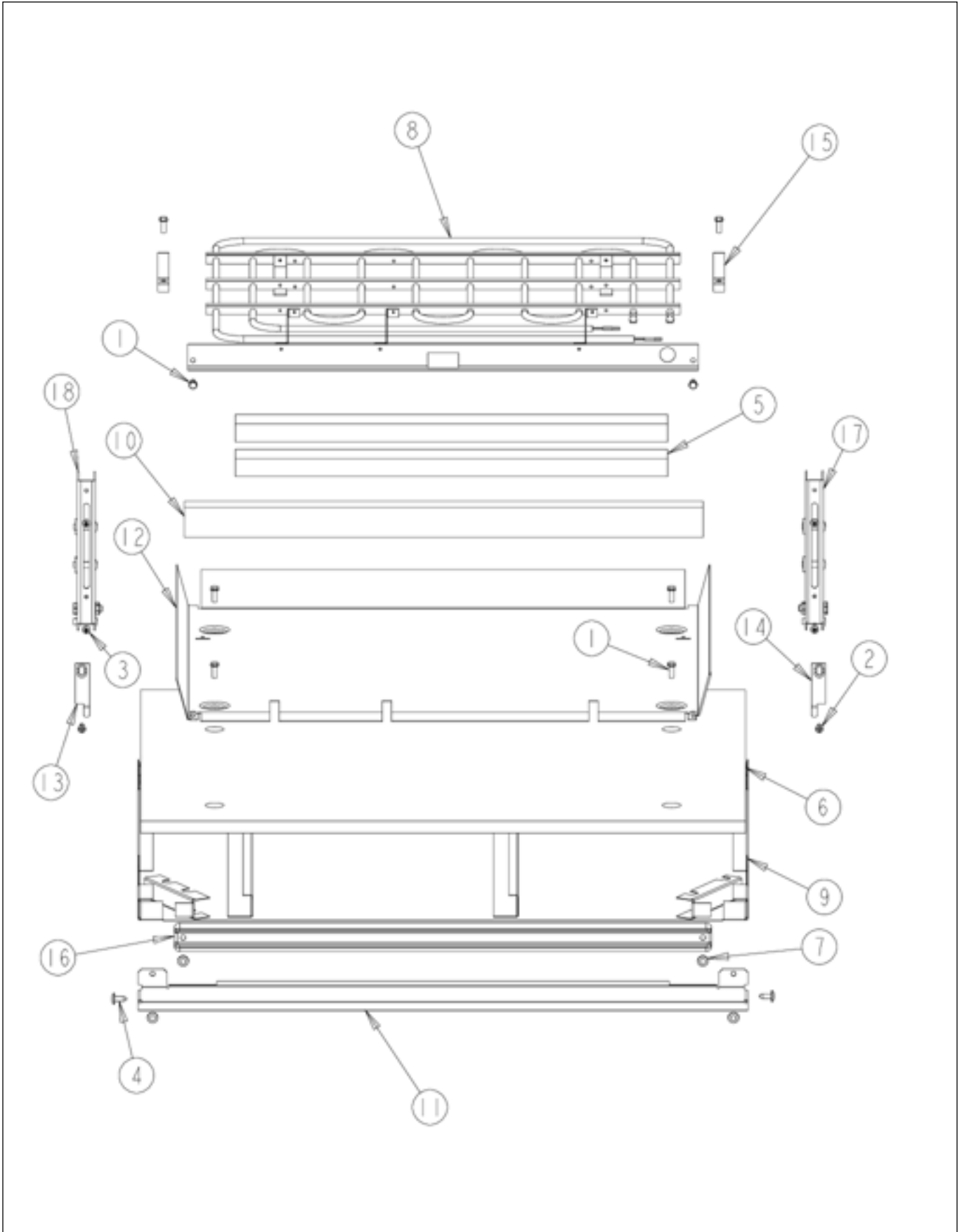
LOWER LATCH HARNESS





Item	Part No.	Name	Qty	Uom	NOTES
1	PE070740	LOWER LATCH HARNESS	1	EA	

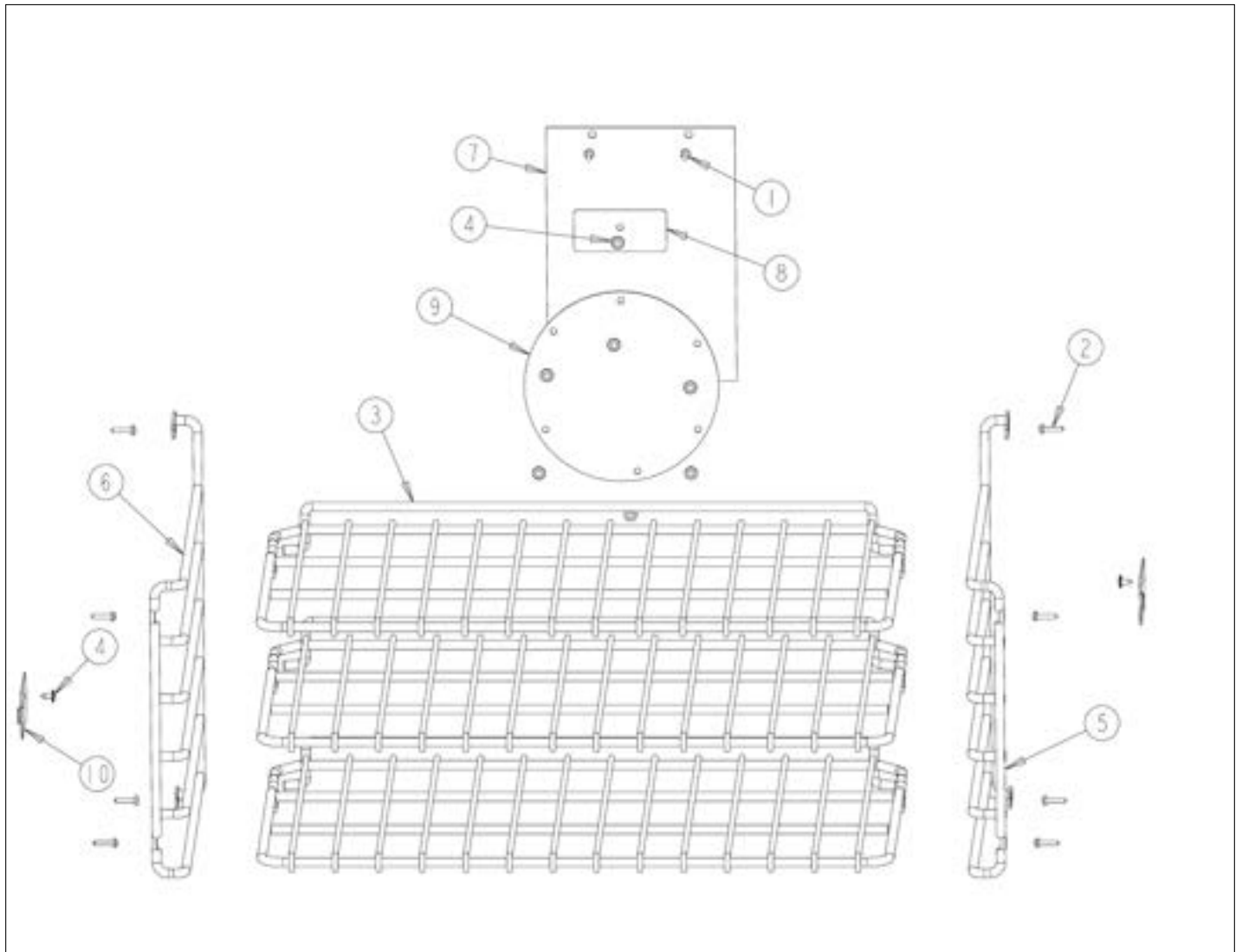
LOWER OVEN LOWER AREA





Item	Part No.	Name	Qty	Uom	NOTES
1	PD020060	10 X 1/2" (5/16)HEX WSHER HD.(T)A	1	EA	
2	PD020061	' #8 X 3/4 FLAT HD TEK. *SS*	1	EA	
3	PD020062	#8-32 X 3/8 PHMS TYPE 1	1	EA	
4	PD020002	10 X 1/2 PH.TR.HD.SMS.	1	EA	
5	PB070273	Window Pack Insulation	1	EA	
6	PB070300	27" BOTTOM INSULATION	1	EA	NO LONGER AVAILABLE, Not available online / Call for pricing and availability
7	PD020063	SCREW-#8(A) X 3/8"PH WFR HD/BK OXID	1	EA	
8	PJ010057	BAKE ELEMENT (208 VOLT)	1	EA	
9	G30010922	BASE MODULE ASSY 27	1	EA	
10	PB070309	BAKE ELEMENT INSULATION	1	EA	
11	C90012822BK	BOTTOM AIR DEFLECTOR 27"	1	EA	
12	A20010932	ELEMENT, MTG TRAY	1	EA	
13	B21010916	LH HINGE CLIP	1	EA	
14	B21010915	RH HINGE CLIP	1	EA	
15	A2009696	HOLDER, BAKE ELEMENT	1	EA	
16	E9109655	BAKE TRAY COVER	1	EA	
17	PC020221	HINGE POCKET RECEIVER MANSFIELD RH	1	EA	
18	PC020247	HINGE POCKET RECEIVER MANSFIELD LH	1	EA	

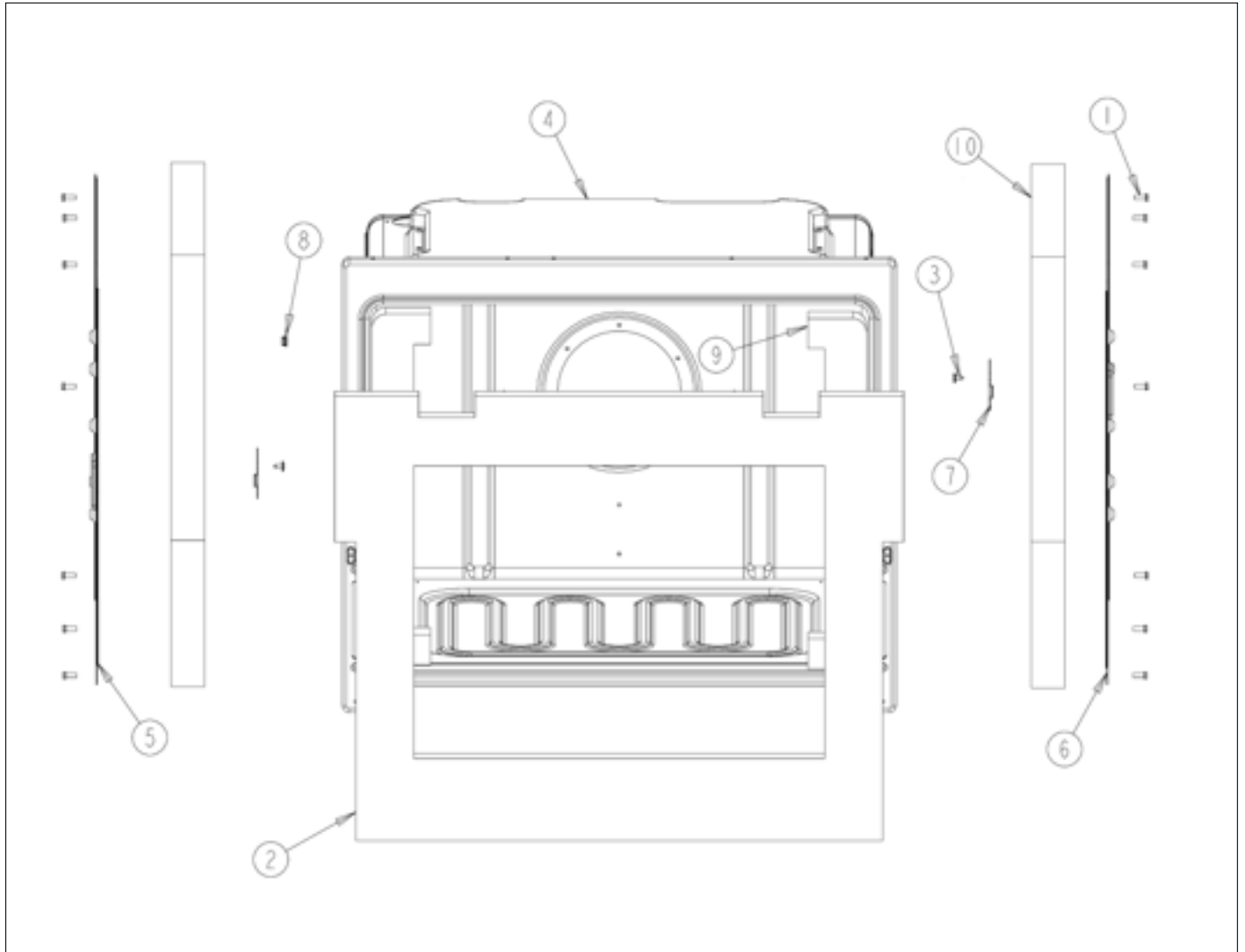
LOWER OVEN MAIN CAVITY INTERIOR





Item	Part No.	Name	Qty	Uom	NOTES
1	PD020060	10 X 1/2" (5/16)HEX WSHER HD.(T)A	1	EA	
2	PD020232	#8 X 3/4" PH PAN HEAD TEK SCREW (BLACK OXIDE)	1	EA	
3	041045-000	27" OVEN RACK	1	EA	
4	PD020063	SCREW-#8(A) X 3/8"PH WFR HD/BK OXID	1	EA	
5	PB060103	RACK SUPPORT RH	1	EA	
6	PB060104	RACK SUPPORT LH	1	EA	
7	A10012648	BACK COVER	1	EA	NO LONGER AVAILABLE, Not available online / Call for pricing and availability
8	E91012616	CONV. ELEMENT HOLE COVER	1	EA	NO LONGER AVAILABLE, Not available online / Call for pricing and availability
9	E91012615	CONVECTION HOLE COVER	1	EA	NO LONGER AVAILABLE, Not available online / Call for pricing and availability
10	E91012614	LIGHT HOLE COVER	1	EA	

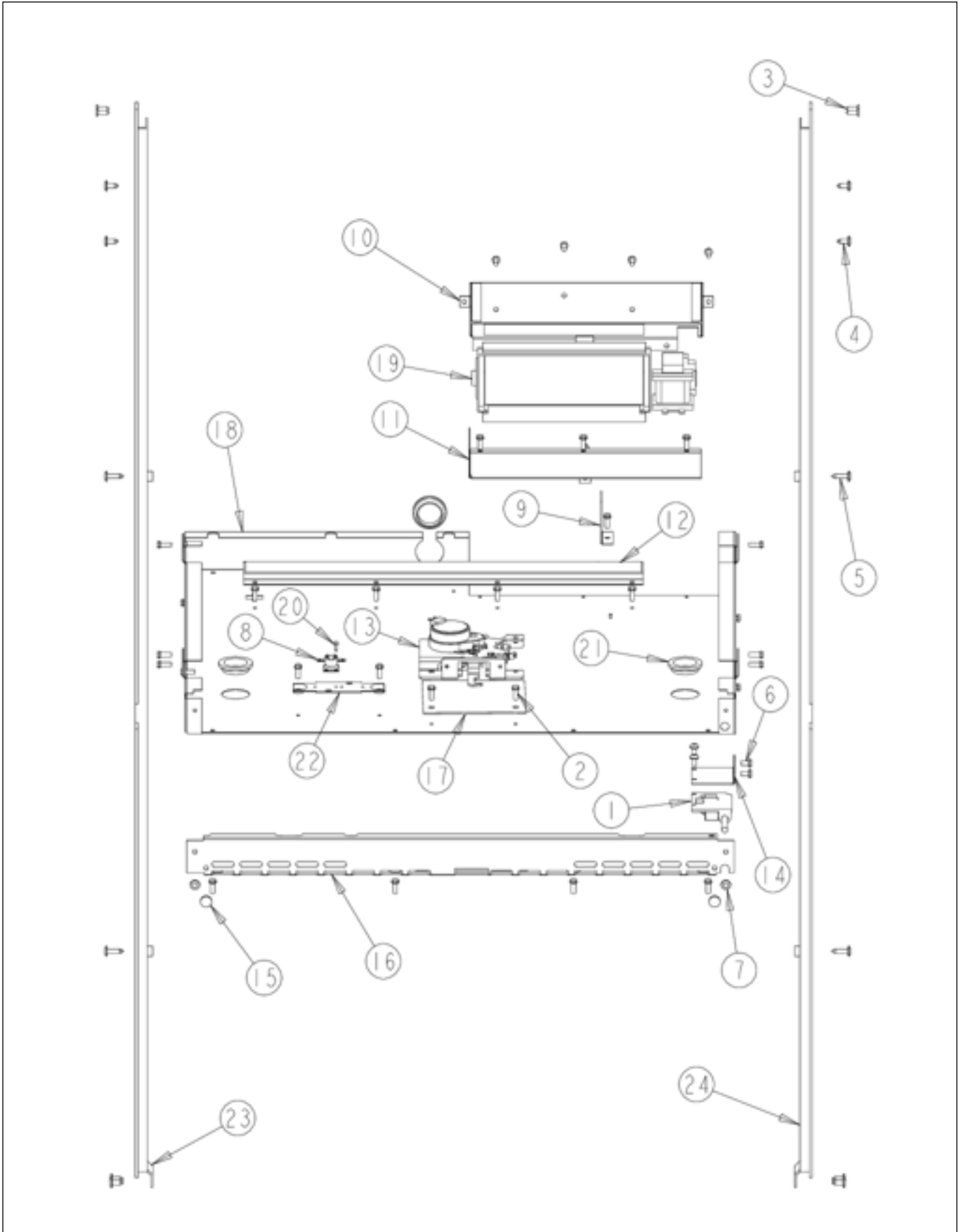
MAIN OVEN CAVITY EXTERIOR





Item	Part No.	Name	Qty	Uom	NOTES
1	PD020060	10 X 1/2" (5/16)HEX WSHER HD.(T)A	1	EA	
2	PB070276	27" DOOR INSULATION	1	EA	
3	PD020063	SCREW-#8(A) X 3/8"PH WFR HD/BK OXID	1	EA	
4	G91014042	27" PREMIERE CAVITY ASSY	1	EA	
5	A20012650	BRKT, TOP WRAPPER LEFT	1	EA	Not available online / Call for pricing and availability
6	A2009622	BRKT, TOP WRAPPER, RIGHT	1	EA	Not available online / Call for pricing and availability
7	E91012614	LIGHT HOLE COVER	1	EA	
8	E91014053	PORCELAIN 25/64" HOLE PLUG	1	EA	Not available online / Call for pricing and availability
9	PB070271	DOOR PLUG INSULATION	1	EA	
10	PB070302	SIDE INSULATION	1	EA	

MIDDLE UNIT AND SIDE TRIM





Item	Part No.	Name	Qty	Uom	NOTES
1	PE050208	DOOR SWITCH	1	EA	
2	PD020060	10 X 1/2" (5/16)HEX WSHER HD.(T)A	1	EA	
3	PD020231	#8 X 1/2" PH FLAT HEAD TEK SCREW (BLACK OXIDE)	1	EA	NO LONGER AVAILABLE, Not available online / Call for pricing and availability
4	PD020002	10 X 1/2 PH.TR.HD.SMS.	1	EA	
5	PD02014	SCREW, 10 X 3/4 PH TR SMS	1	EA	Not available online / Call for pricing and availability
6	PD020004	10X3/8PH.HD.TYPE 25 REPL PD040125	1	EA	
7	PD020063	SCREW-#8(A) X 3/8"PH WFR HD/BK OXID	1	EA	
8	PJ030039	BI-METAL THERMOSTAT 275 DEGREES	1	EA	
9	A20014036	BOTTOM BLOWER DIVIDER	1	EA	
10	A2009660	BRACKET, BLOWER, DBL LOWER OVEN	1	EA	NO LONGER AVAILABLE, Not available online / Call for pricing and availability
11	A2009659	BRACKET, FILLER, BLOWER	1	EA	
12	A20012808	CATALYST EXHAUST, MIDDLE MODULE	1	EA	
13	013250-000	LATCH,DOOR,ASM,240V,GRID DLE LOCKOUT	1	EA	
14	A20012649	DOOR SWITCH BRACKET	1	EA	
15	PD040004	GROMMET BUMPER	1	EA	
16	C90012803BK	INLET GRILL DBL LOWER OVEN 27"	1	EA	
17	PB070321	Lower Latch Insulation	1	EA	
18	A20012802	MODULE PAN 27	1	EA	
19	PE050250	Blower	1	EA	

Comments for Part Num. PE050250

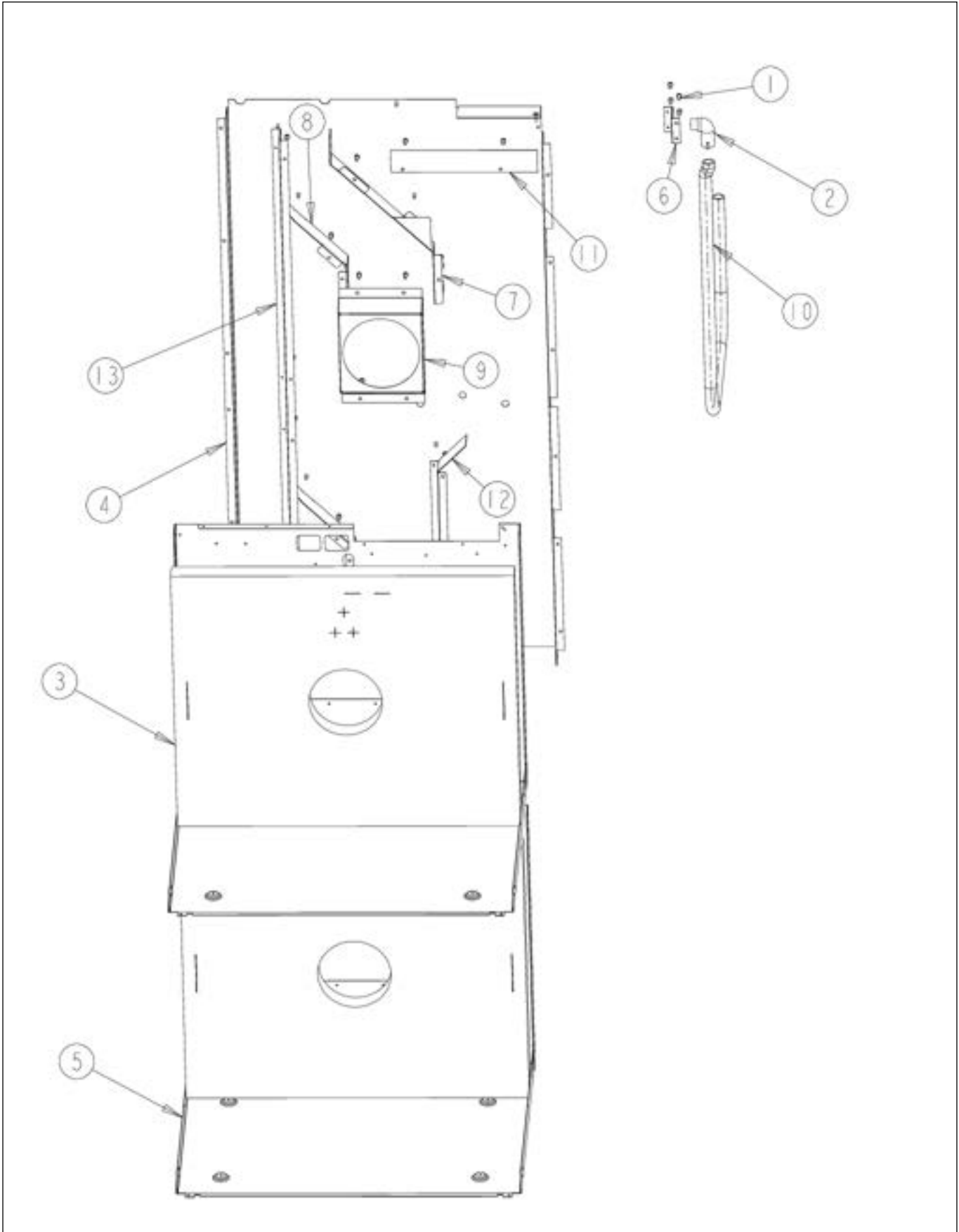
highendappsvc@gmail.com on Jan 28, 2019

If you need to replace cooling fan for the model vgsc5486gss serial date code 031412, do not order this fan, this fan is larger and configured wrong. The correct fan is 007794-000. it is smaller.



Item	Part No.	Name	Qty	Uom	NOTES
20	PD020013	TYPE "AB" #6 X 3/8 PH PAN HD. SMS	1	EA	
21	PB070079	SILICONE EXTRUSION (DGSU)	1	EA	
22	A1002456	THERMO-DISC BRKT (VDSC)	1	EA	
23	PE040284	DES. DOUBLE SIDE TRIM LH	1	EA	NO LONGER AVAILABLE
24	PE040283	DES. DOUBLE SIDE TRIM RH	1	EA	Not available online / Call for pricing and availability

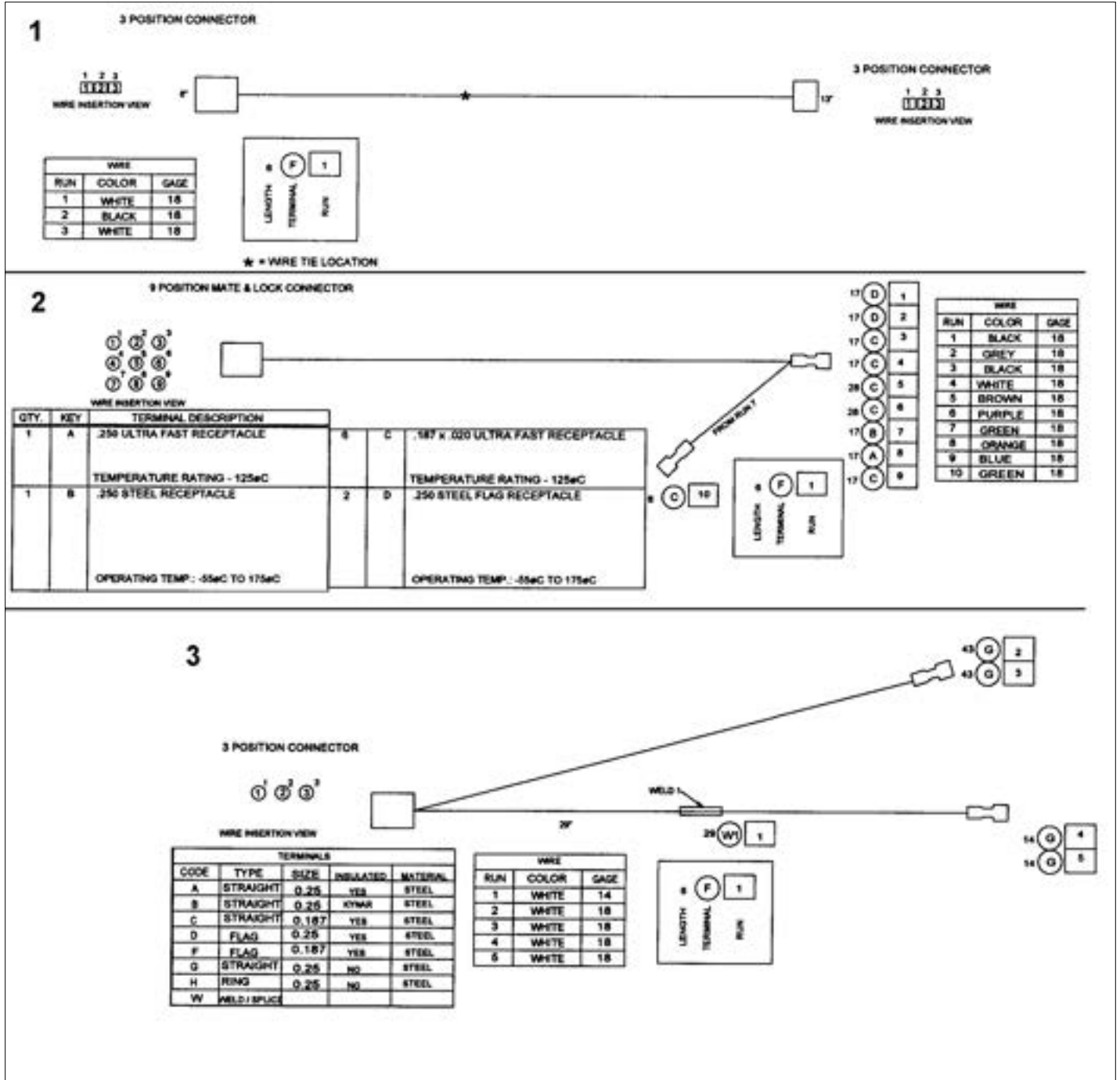
REAR UNIT AREA





Item	Part No.	Name	Qty	Uom	NOTES
1	PD020060	10 X 1/2" (5/16)HEX WSHER HD.(T)A	1	EA	
2	PB040070	CONDUIT FITTING (90 DEG)	1	EA	
3	PB070301	27" BACK INSULATION	1	EA	NO LONGER AVAILABLE, Not available online / Call for pricing and availability
4	A20012807	PANEL, REAR	1	EA	
5	A20010931	BASE, BACK WRAPPER, 27"	1	EA	
6	A2009671	BRACKET, POWER CABLE	1	EA	
7	A21010918	BRACKET, AIR, CONVECTION MOTOR	1	EA	
8	A21010919	BRACKET, AIR, CONVECTION MOTOR	1	EA	
9	A2009697	BRACKET, CONVECTION INSULATION	1	EA	
10	PB020071	CONDUIT - FLEXIBLE (48")	1	EA	
11	A10010907	COVER, BLOWER	1	EA	
12	A20012809	REAR AIR DIVIDER, DBL, LOWER OVEN	1	EA	
13	A2009684	REAR AIR DIVIDER, DOUBLE OVEN	1	EA	

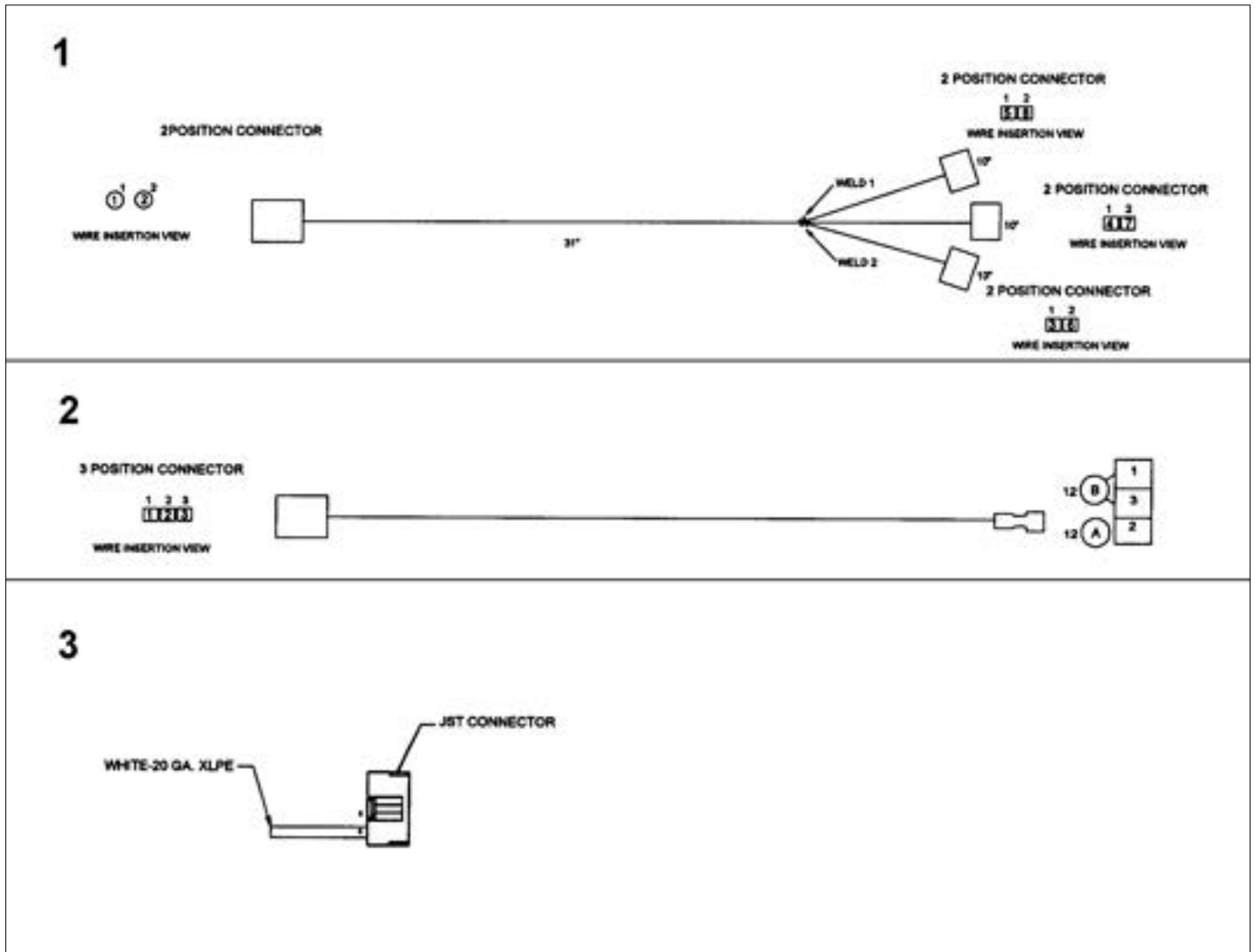
SIMPLE HARNESSES 1





Item	Part No.	Name	Qty	Uom	NOTES
1	PE070738	T/STAT-SEL HARNESS	1	EA	
Not Shown	PE070733	UPPER LATCH HARNESS	1	EA	
Not Shown	PE070739	BAKE ELEMENT HARNESS	1	EA	
NI	G4005496	SUPPLY WIRE - 100" BK 10GA SO/DO	1	EA	
NI	G4005497	SUPPLY WIRE - 100" GREEN 10GA SO/DO	1	EA	
NI	G4005499	SUPPLY WIRE - 100" RED 10GA SO/DO	1	EA	
NI	G4005494	SUPPLY WIRE - 75" WH 12 GA SO/DO - NLA	1	EA	

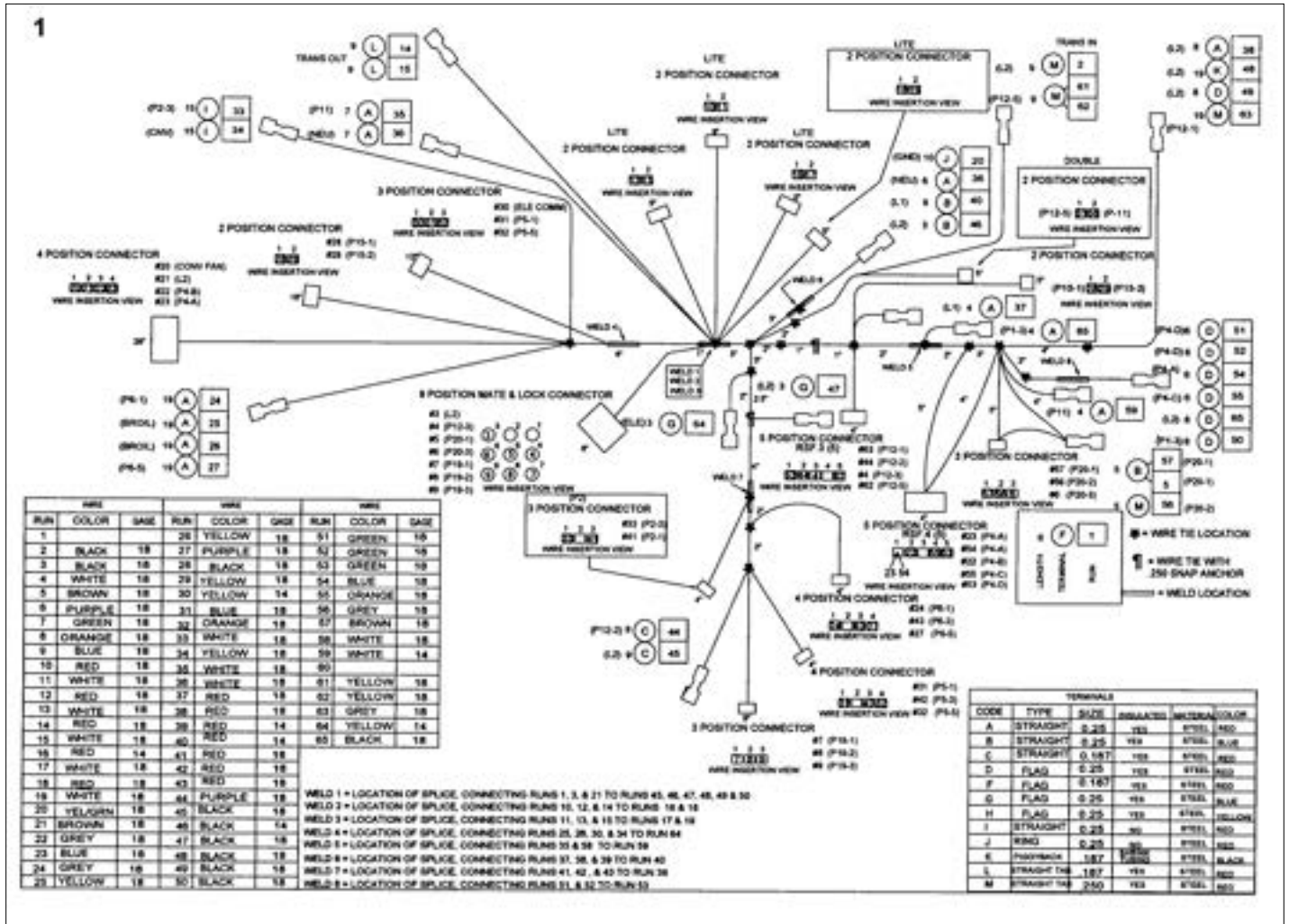
SIMPLE HARNESSES 2





Item	Part No.	Name	Qty	Uom	NOTES
1	PE070741	LOWER LIGHT HARNESS	1	EA	
2	PE070744	DOUBLE CLOCK HARNESS	1	EA	NO LONGER AVAILABLE
3	PE070796	HARN, HEADER, MODEL 4 (SEE MODEL_HEADER)	1	EA	

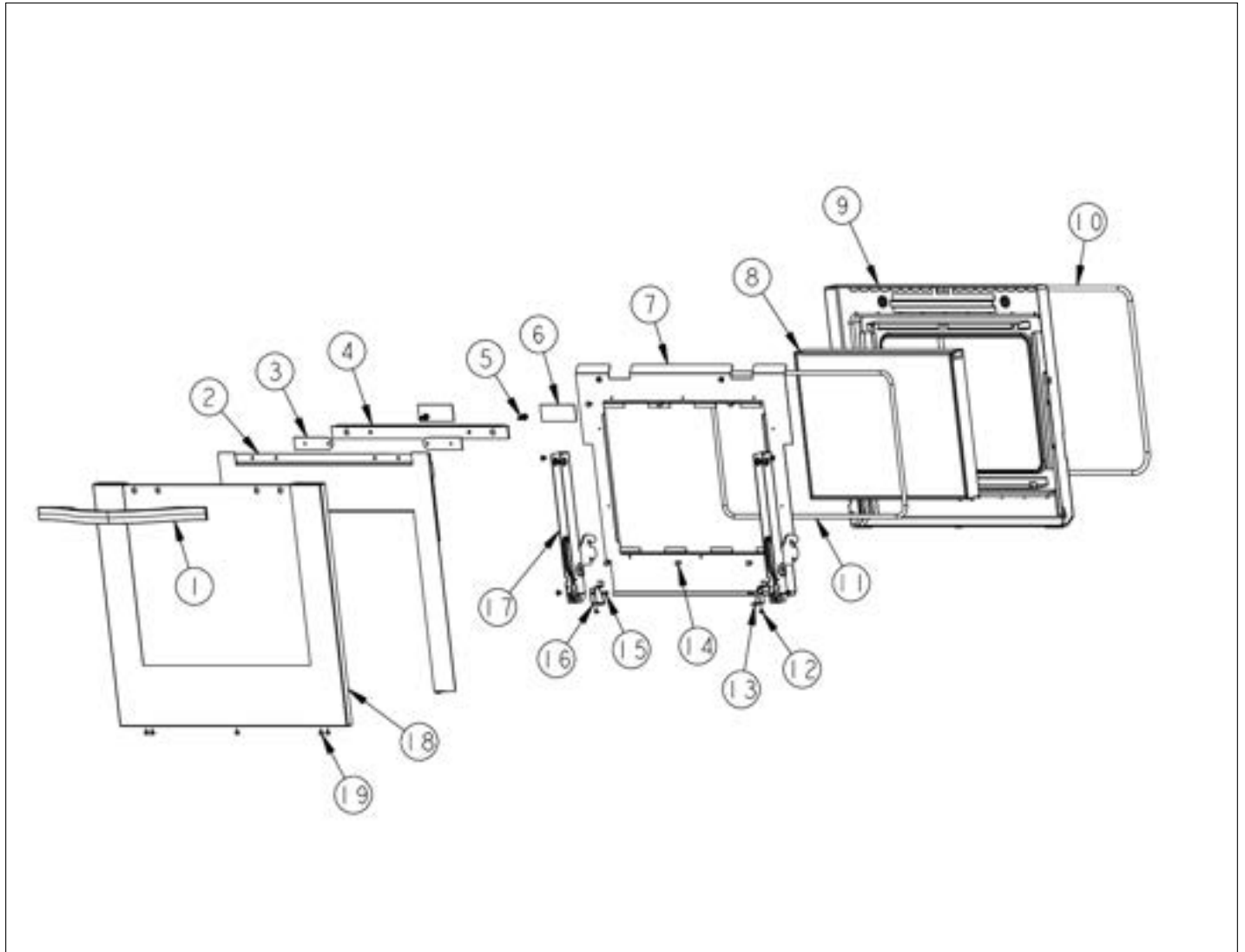
UPPER CONTROL HARNESS





Item	Part No.	Name	Qty	Uom	NOTES
1	PE070742	UPPER CONTROL HARNESS	1	EA	

UPPER DOOR





Item	Part No.	Name	Qty	Uom	NOTES
1	PE030167	30" DOOR HANDLE	1	EA	
Not Shown	PE030167PVD	30" DOOR HANDLE PVD	1	EA	NO LONGER AVAILABLE
2	001498-000	Designer 27" Insulation Retainer Kit	1	EA	
3	PC050002	DESIGNER DOOR HANDLE SPACER	1	EA	
4	PE040285	DESIGNER DOOR TRIM	1	EA	Not available online / Call for pricing and availability
5	PD020186	1/4"-20 X 3/4" HEX WASHER HEAD MS	1	EA	Not available online / Call for pricing and availability
6	PB070336	Door Bracket Insulation	1	EA	
7	A20010949	PANEL, INSULATION, INNNER DOOR	1	EA	
8	PE060093	27" WINDOW PACK	1	EA	
9	G91010942	DOOR LINER PORC.	1	EA	
<p>Comments for Part Num. G91010942</p> <p>gboltz@VikingRange.com on Jun 7, 2016</p> <p>Correct part number is G91019042BK</p>					
10	PB070245	27" DOOR GASKET	1	EA	
11	000594-000	BLACK FIBERGLASS ROPE 3/8"	1	EA	
12	PD020063	SCREW-#8(A) X 3/8"PH WFR HD/BK OXID	1	EA	
13	A20012640	HINGE SUPPORT RH	1	EA	
14	PD020002	10 X 1/2 PH.TR.HD.SMS.	1	EA	
15	PD020004	10X3/8PH.HD.TYPE 25 REPL PD040125	1	EA	
16	A20012641	HINGE SUPPORT LH	1	EA	
17	006071-000	DOOR HINGE	1	EA	
18	001453-002	27 in Des. Door Skin Kit w/Logo - BK - NLA	1	EA	NO LONGER AVAILABLE
Not Shown	001453-003	27 in Des. Door Skin Kit w/Logo - BT - NLA	1	EA	NO LONGER AVAILABLE

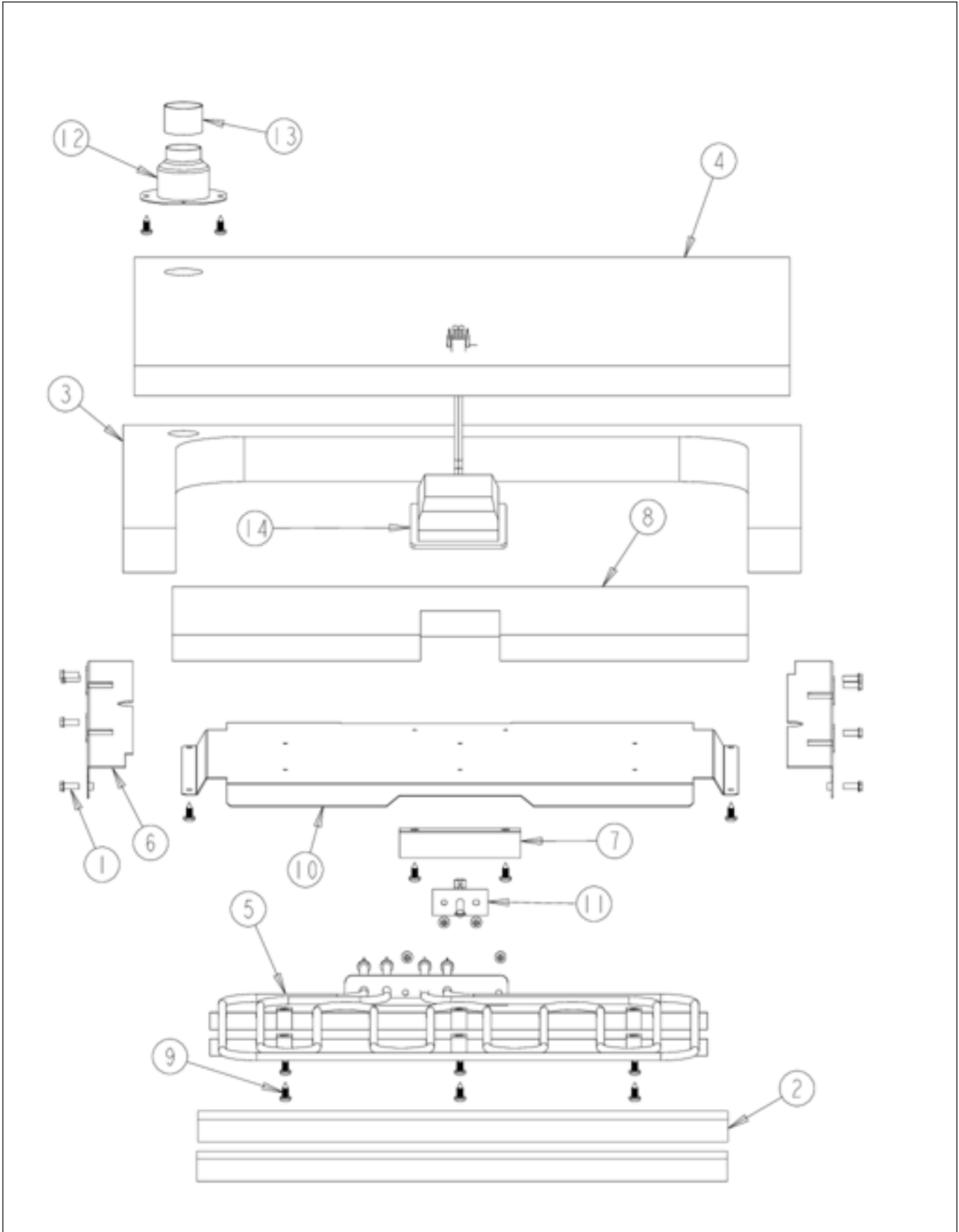


Item	Part No.	Name	Qty	Uom	NOTES
Not Shown	001453-005	27 in Des. Door Skin Kit w/Logo - GG	1	EA	NO LONGER AVAILABLE, Not available online / Call for pricing and availability
Not Shown	001453-004	27 in Des. Door Skin Kit w/Logo - SG - NLA	1	EA	NO LONGER AVAILABLE
Not Shown	001453-000	27 in Des. Door Skin Kit w/Logo - SS - NLA	1	EA	
Not Shown	001453-006	27 in Des. Door Skin Kit w/Logo - WH	1	EA	NO LONGER AVAILABLE
19	PD020032	SRW-8(A)X3/8"PH.WFR HD 7/16DIA*NICL	1	EA	
NI	G32012811BK	27" DOOR ASSY W/LOGO *BK*	1	EA	NO LONGER AVAILABLE, Not available online / Call for pricing and availability
Not Shown	G32012811BKBR	27" DOOR ASSY W/LOGO *BKBR*	1	EA	NO LONGER AVAILABLE, Not available online / Call for pricing and availability
Not Shown	G32012811BT	27" DOOR ASSY W/LOGO *BT*	1	EA	NO LONGER AVAILABLE, Not available online / Call for pricing and availability
Not Shown	G32012811BTBR	27" DOOR ASSY W/LOGO *BTBR*	1	EA	NO LONGER AVAILABLE, Not available online / Call for pricing and availability
Not Shown	G32012811GG	27" DOOR ASSY W/LOGO *GG*	1	EA	NO LONGER AVAILABLE, Not available online / Call for pricing and availability
Not Shown	G32012811GGBR	27" DOOR ASSY W/LOGO *GGBR*	1	EA	NO LONGER AVAILABLE, Not available online / Call for pricing and availability
Not Shown	G32012811SG	27" DOOR ASSY W/LOGO *SG*	1	EA	NO LONGER AVAILABLE, Not available online / Call for pricing and availability



Item	Part No.	Name	Qty	Uom	NOTES
Not Shown	G32012811SGBR	27" DOOR ASSY W/LOGO *SGBR*	1	EA	NO LONGER AVAILABLE, Not available online / Call for pricing and availability
Not Shown	G32012811SS	27" DOOR ASSY W/LOGO	1	EA	NO LONGER AVAILABLE
Not Shown	G32012811SSBR	COMPLETE DOOR ASSEMBLY - SSBR	1	EA	
Not Shown	G32012811WH	27" DOOR ASSY W/LOGO *WH*	1	EA	NO LONGER AVAILABLE, Not available online / Call for pricing and availability
Not Shown	G32012811WHBR	27" DOOR ASSY W/LOGO *WHBR*	1	EA	NO LONGER AVAILABLE, Not available online / Call for pricing and availability

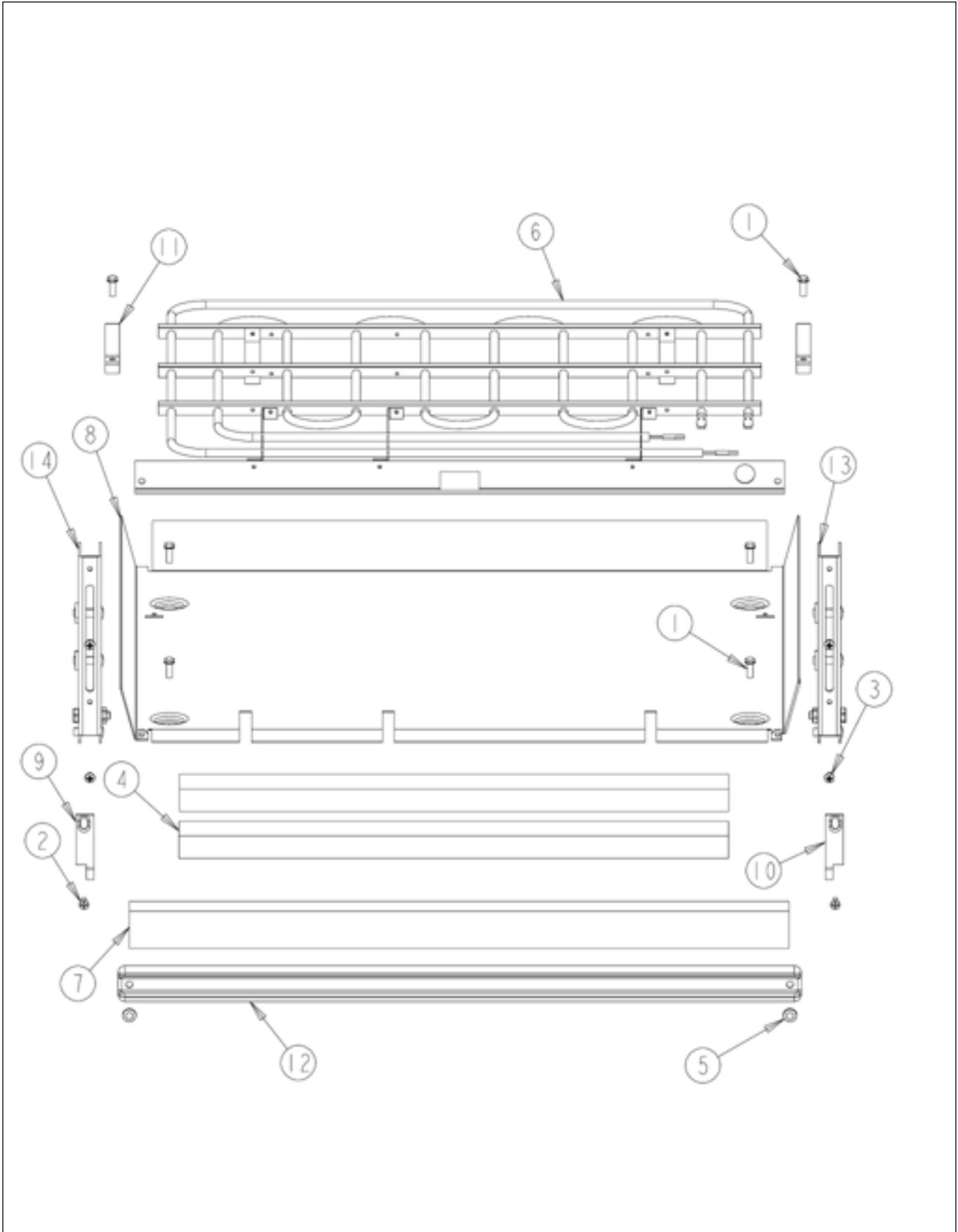
UPPER OVEN CAVITY





Item	Part No.	Name	Qty	Uom	NOTES
1	PD020060	10 X 1/2" (5/16)HEX WSHER HD.(T)A	1	EA	
2	PB070273	Window Pack Insulation	1	EA	
3	PB070306	Top Broil Insulation	1	EA	Not available online / Call for pricing and availability
4	PB070307	Top Insulation	1	EA	Not available online / Call for pricing and availability
5	PJ010058	BROIL ELEMENT (208 VOLT)	1	EA	
6	A2009641	BRKT, TOP WRAPPER	1	EA	
7	A20014044	BROIL ELEMENT SHIELD	1	EA	
8	PB070337	Liner Insulation	1	EA	
9	PD020055	#10 X 1/2" PAN PHIL. TEK.*SS*	1	EA	
10	A20014021	REFLECTOR, BROIL	1	EA	
11	PE050206	RTD THERMOSTAT PROBE	1	EA	
12	PM010014	SMOKE ELIMINATOR (VDSC)	1	EA	
13	PB020275	VENT TUBE	1	EA	
14	PE050205	Top Halogen Light	1	EA	

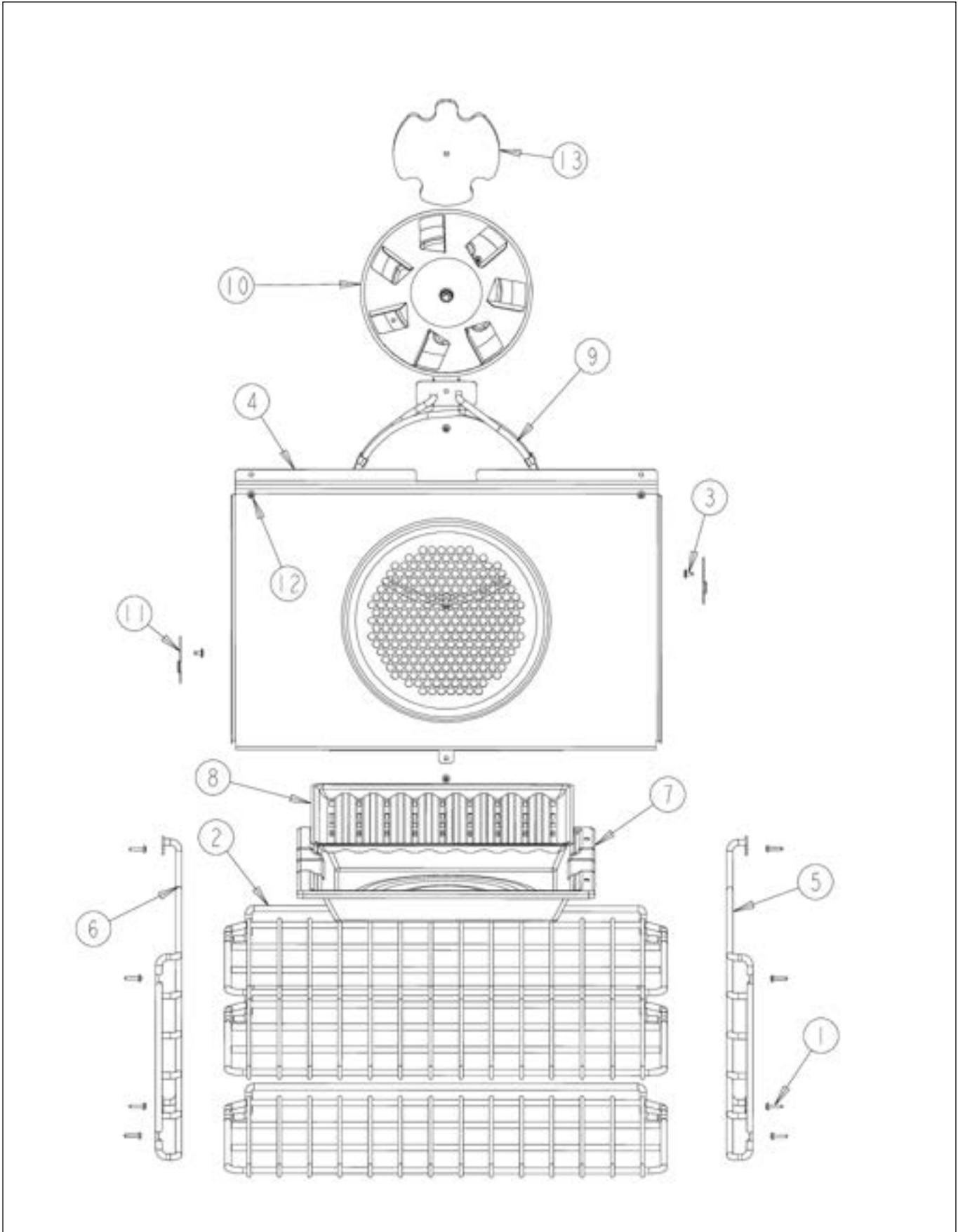
UPPER OVEN LOWER AREA





Item	Part No.	Name	Qty	Uom	NOTES
1	PD020060	10 X 1/2" (5/16)HEX WSHER HD.(T)A	1	EA	
2	PD020061	' #8 X 3/4 FLAT HD TEK. *SS*	1	EA	
3	PD020062	#8-32 X 3/8 PHMS TYPE 1	1	EA	
4	PB070273	Window Pack Insulation	1	EA	
5	PD020063	SCREW-#8(A) X 3/8"PH WFR HD/BK OXID	1	EA	
6	PJ010057	BAKE ELEMENT (208 VOLT)	1	EA	
7	PB070309	BAKE ELEMENT INSULATION	1	EA	
8	A20010932	ELEMENT, MTG TRAY	1	EA	
9	B21010916	LH HINGE CLIP	1	EA	
10	B21010915	RH HINGE CLIP	1	EA	
11	A2009696	HOLDER, BAKE ELEMENT	1	EA	
12	E9109655	BAKE TRAY COVER	1	EA	
13	PC020221	HINGE POCKET RECEIVER MANSFIELD RH	1	EA	
14	PC020247	HINGE POCKET RECEIVER MANSFIELD LH	1	EA	

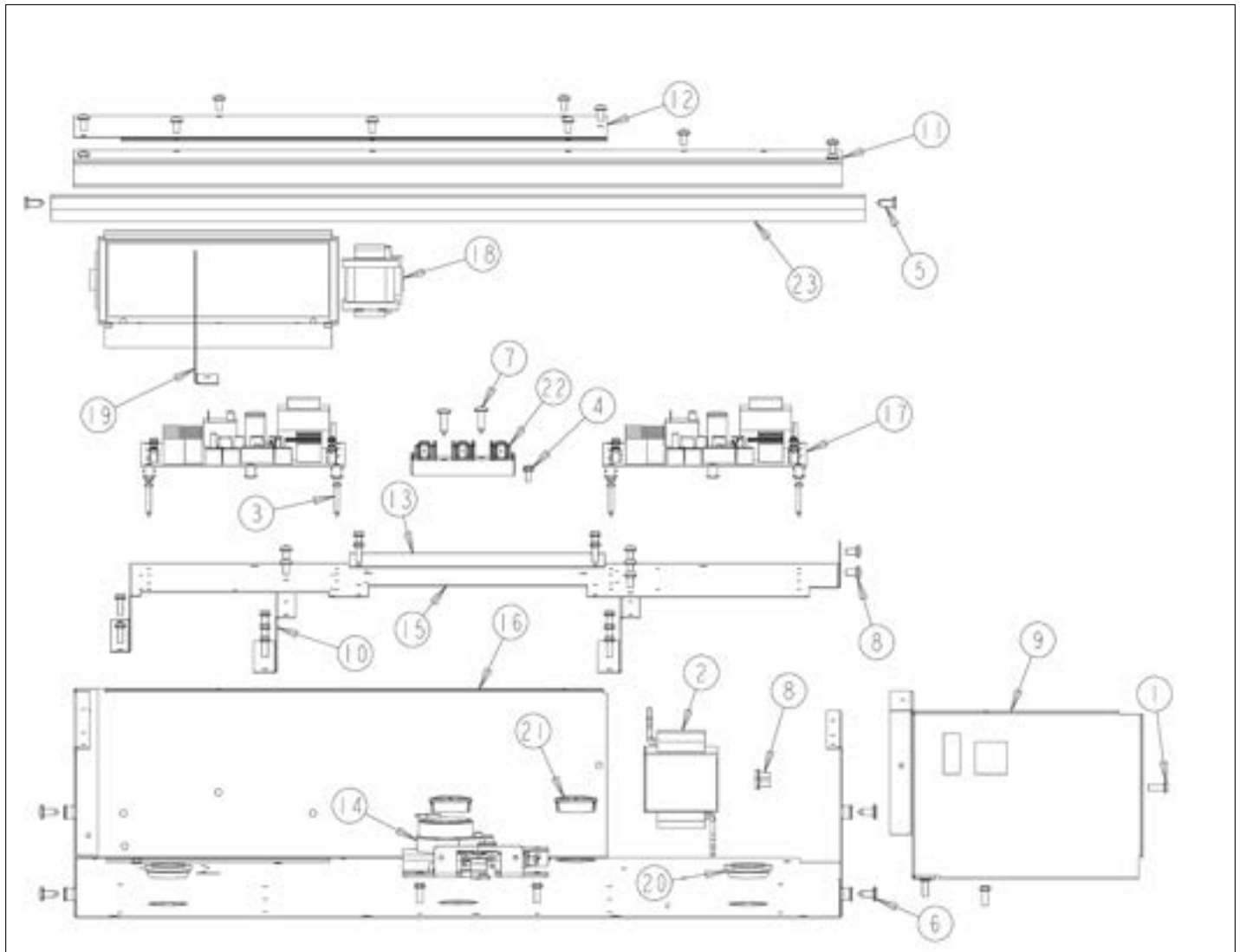
UPPER OVEN MAIN CAVITY INTERIOR





Item	Part No.	Name	Qty	Uom	NOTES
1	PD020232	#8 X 3/4" PH PAN HEAD TEK SCREW (BLACK OXIDE)	1	EA	
2	041045-000	27" OVEN RACK	1	EA	
3	PD020063	SCREW-#8(A) X 3/8"PH WFR HD/BK OXID	1	EA	
4	G91013597	BAFFLE,ASSY 27" BK	1	EA	
5	PB060103	RACK SUPPORT RH	1	EA	
6	PB060104	RACK SUPPORT LH	1	EA	
7	E9107933	BROILER PAN	1	EA	
8	E9107934	BROILER PAN INSERT - NLA	1	EA	
9	PJ010056	CONVECTION ELEMENT (208 VOLT)	1	EA	
10	G32014020	CONVECTION FAN ASSY	1	EA	
11	E91012614	LIGHT HOLE COVER	1	EA	
12	PD020055	#10 X 1/2" PAN PHIL. TEK.*SS*	1	EA	
13	PB070312	CONVECTION MOTOR MTG. PLATE INSULATION	1	EA	

UPPER UNIT AREA AFTER 07-20-06



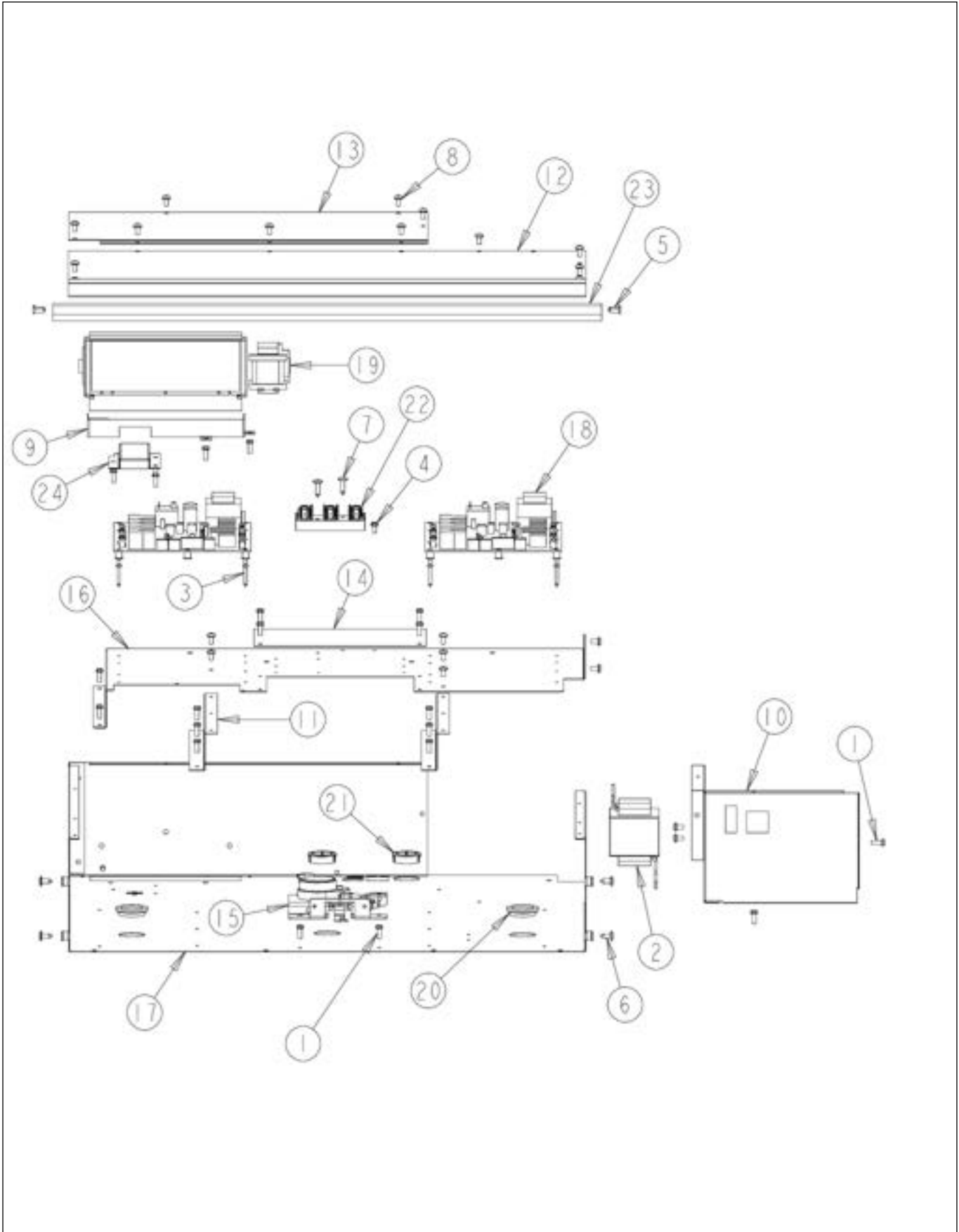


Item	Part No.	Name	Qty	Uom	NOTES
1	PD020060	10 X 1/2" (5/16)HEX WSHER HD.(T)A	1	EA	
2	PE070634	HALOGEN LIGHT TRANSFORMER	1	EA	NO LONGER AVAILABLE
3	PD020185	Screw, 6 X 1" Pan Head	1	EA	
4	PD020010	10 X 3/8 GREEN GROUNDING SCREW	1	EA	
5	PD020231	#8 X 1/2" PH FLAT HEAD TEK SCREW (BLACK OXIDE)	1	EA	NO LONGER AVAILABLE, Not available online / Call for pricing and availability
6	PD020002	10 X 1/2 PH.TR.HD.SMS.	1	EA	
7	PD020014	10X3/4 PH TR HD SMS	1	EA	
8	PD020004	10X3/8PH.HD.TYPE 25 REPL PD040125	1	EA	
9	A20010934	BRACKET, MODULE PAN	1	EA	
10	A20010910	BRACKET, SUPPORT, ELECTRONICS HAT	1	EA	
11	A20014046	Front Cover	1	EA	Not available online / Call for pricing and availability
12	A20014047	27" REAR COVER	1	EA	
13	A10010911	Latch Cover	1	EA	
14	013250-000	LATCH,DOOR,ASM,240V,GRID DLE LOCKOUT	1	EA	
15	A20010935	ELECTRONICS HAT	1	EA	
16	A20010933	MODULE PAN 27"	1	EA	
17	002406-000	CONTROL BOARD	1	EA	
<p>Comments for Part Num. 002406-000</p> <p>haarnink@vikingrange.com on Jun 18, 2015</p> <p>For the international E Model numbers EVDSC5 we need to add the info that sins First unit was EVDSC530S4B: 092314C10147281 any EVDSC built in 2014 went into production with EOC4. so here we need to add the part number 014000-000 EOC4 plus the SMPS part number 013999-000</p>					
18	PE050250	Blower	1	EA	



Item	Part No.	Name	Qty	Uom	NOTES
Comments for Part Num. PE050250					
highendappsvc@gmail.com on Jan 28, 2019					
If you need to replace cooling fan for the model vgsc5486gss serial date code 031412, do not order this fan, this fan is larger and configured wrong. The correct fan is 007794-000. it is smaller.					
19	A2009667	REAR AIR DIVIDER	1	EA	
20	PB070079	SILICONE EXTRUSION (DGSU)	1	EA	
21	PD040152	SNAP BUSHING	1	EA	
22	PE070147	TERMINAL BLOCK (VDSC)	1	EA	
23	PE040279	27" DES. TOP TRIM	1	EA	NO LONGER AVAILABLE, Not available online / Call for pricing and availability

UPPER UNIT AREA BEFORE 07-20-06



Item	Part No.	Name	Qty	Uom	NOTES
1	PD020060	10 X 1/2" (5/16)HEX WSHER HD.(T)A	1	EA	
2	PE070634	HALOGEN LIGHT TRANSFORMER	1	EA	NO LONGER AVAILABLE
3	PD020185	Screw, 6 X 1" Pan Head	1	EA	
4	PD020010	10 X 3/8 GREEN GROUNDING SCREW	1	EA	
5	PD020231	#8 X 1/2" PH FLAT HEAD TEK SCREW (BLACK OXIDE)	1	EA	NO LONGER AVAILABLE, Not available online / Call for pricing and availability
6	PD020002	10 X 1/2 PH.TR.HD.SMS.	1	EA	
7	PD020014	10X3/4 PH TR HD SMS	1	EA	
8	PD020004	10X3/8PH.HD.TYPE 25 REPL PD040125	1	EA	
9	A20014035	27" BLOWER BRACKET	1	EA	NO LONGER AVAILABLE, Not available online / Call for pricing and availability
10	A20010934	BRACKET, MODULE PAN	1	EA	
11	A20010910	BRACKET, SUPPORT, ELECTRONICS HAT	1	EA	
12	A20014046	Front Cover	1	EA	Not available online / Call for pricing and availability
13	A20014047	27" REAR COVER	1	EA	
14	A10010911	Latch Cover	1	EA	
15	013250-000	LATCH,DOOR,ASM,240V,GRID DLE LOCKOUT	1	EA	
16	A20010935	ELECTRONICS HAT	1	EA	
17	A20010933	MODULE PAN 27"	1	EA	
18	002406-000	CONTROL BOARD	1	EA	
Comments for Part Num. 002406-000 haarnink@vikingrange.com on Jun 18, 2015 For the international E Model numbers EVDSC5 we need to add the info that sins First unit was EVDSC530S4B: 092314C10147281 any EVDSC built in 2014 went into production with EOC4. so here we need to add the part number 014000-000 EOC4 plus the SMPS part number 013999-000					
19	PE050250	Blower	1	EA	



Item	Part No.	Name	Qty	Uom	NOTES
Comments for Part Num. PE050250					
highendappsvc@gmail.com on Jan 28, 2019					
If you need to replace cooling fan for the model vgsc5486gss serial date code 031412, do not order this fan, this fan is larger and configured wrong. The correct fan is 007794-000. it is smaller.					
20	PB070079	SILICONE EXTRUSION (DGSU)	1	EA	
21	PD040152	SNAP BUSHING	1	EA	
22	PE070147	TERMINAL BLOCK (VDSC)	1	EA	
23	PE040279	27" DES. TOP TRIM	1	EA	NO LONGER AVAILABLE, Not available online / Call for pricing and availability
24	A20014033	UPPER VENT COVER	1	EA	NO LONGER AVAILABLE, Not available online / Call for pricing and availability



Appendix A:Pages Index

CONTROL AREA 1
LOWER CONTROL HARNESS 2
LOWER DOOR 3
LOWER LATCH HARNESS 4
LOWER OVEN LOWER AREA 5
LOWER OVEN MAIN CAVITY INTERIOR 6
MAIN OVEN CAVITY EXTERIOR 7
MIDDLE UNIT AND SIDE TRIM 8
REAR UNIT AREA 9
SIMPLE HARNESSES 1 10
SIMPLE HARNESSES 2 11
UPPER CONTROL HARNESS 12
UPPER DOOR 13
UPPER OVEN CAVITY 14
UPPER OVEN LOWER AREA 15
UPPER OVEN MAIN CAVITY INTERIOR 16
UPPER UNIT AREA AFTER 07-20-06 17
UPPER UNIT AREA BEFORE 07-20-06 18



Appendix B:Parts Index

000594-000	3, 13	A20012808	8
001453-000	13	A20012809	9
001453-002	13	A20014021	14
001453-003	13	A20014033	18
001453-004	13	A20014035	18
001453-005	13	A20014036	8
001453-006	13	A20014044	14
001454-000	3	A20014046	17, 18
001454-002	3	A20014047	17, 18
001454-003	3	A2009622	7
001454-004	3	A2009641	14
001454-005	3	A2009659	8
001454-006	3	A2009660	8
001498-000	3, 13	A2009667	17
002406-000	17, 18	A2009671	9
006071-000	3, 13	A2009684	9
013250-000	8, 17, 18	A2009696	5, 15
036047-000	1	A2009697	9
041045-000	6, 16	A21010918	9
A10010907	9	A21010919	9
A10010911	17, 18	B21010915	5, 15
A10012648	6	B21010916	5, 15
A10014028	1	B92012629	1
A10014045	1	C90012803BK	8
A1002456	8	C90012822BK	5
A20010910	17, 18	C90014073BK	1
A20010931	9	C92012629BK	1
A20010932	5, 15	C92012629BT	1
A20010933	17, 18	C92012629GG	1
A20010934	17, 18	C92012629SG	1
A20010935	17, 18	C92012629WH	1
A20010949	3, 13	E91012614	6, 7, 16
A20012636	1	E91012615	6
A20012638	1	E91012616	6
A20012640	3, 13	E91014053	7
A20012641	3, 13	E9107933	16
A20012649	1, 8	E9107934	16
A20012650	7	E9109655	5, 15
A20012802	8	G30010922	5
A20012807	9	G32012811BK	13
		G32012811BKBR	13



G32012811BT	13	PB020071	9
G32012811BTBR	13	PB020275	14
G32012811GG	13	PB040070	9
G32012811GGBR	13	PB060103	6, 16
G32012811SG	13	PB060104	6, 16
G32012811SGBR	13	PB070079	8, 17, 18
G32012811SS	13	PB070245	3, 13
G32012811SSBR	13	PB070271	7
G32012811WH	13	PB070273	5, 14, 15
G32012811WHBR	13	PB070276	7
G32014007BK	3	PB070300	5
G32014007BKBR	3	PB070301	9
G32014007BT	3	PB070302	7
G32014007BTBR	3	PB070306	14
G32014007GG	3	PB070307	14
G32014007GGBR	3	PB070309	5, 15
G32014007SG	3	PB070312	16
G32014007SGBR	3	PB070321	8
G32014007SS	3	PB070336	3, 13
G32014007SSBR	3	PB070337	14
G32014007WH	3	PC020221	5, 15
G32014007WHBR	3	PC020247	5, 15
G32014020	16	PC050002	3, 13
G40015469	1	PD010003	1
G4005494	10	PD020002	3, 5, 8, 13, 17, 18
G4005496	10	PD020004	1, 3, 8, 13, 17, 18
G4005497	10	PD020006	1
G4005499	10	PD020010	17, 18
G50015486	1	PD020013	1, 8
G91010942	3, 13	PD020014	17, 18
G91013597	16	PD020032	3, 13
G91014042	7	PD020055	14, 16
PA010093	1	PD020060	1, 5, 6, 7, 8, 9, 14, 15, 17, 18
PA010093PVD	1	PD020061	5, 15
PA010194	1	PD020062	5, 15
PA010194PVD	1	PD020063	3, 5, 6, 7, 8, 13, 15, 16
PA010195	1	PD02014	8
PA010195PVD	1	PD020185	17, 18
PB010314	1	PD020186	3, 13
PB010314PVD	1	PD020231	8, 17, 18
PB010315	1	PD020232	6, 16



PD020261 1
PD030172 1
PD040004 1, 8
PD040152 17, 18
PD040160 1
PD040164 1
PE030167 3, 13
PE030167PVD 3, 13
PE040279 17, 18
PE040283 8
PE040284 8
PE040285 3, 13
PE050078 1
PE050205 14
PE050206 14
PE050208 1, 8
PE050214 1
PE050250 8, 17, 18
PE060093 3, 13
PE070147 17, 18
PE070634 17, 18
PE070733 10
PE070736 2
PE070738 10
PE070739 10
PE070740 4
PE070741 11
PE070742 12
PE070744 11
PE070796 11
PJ010056 16
PJ010057 5, 15
PJ010058 14
PJ030033 1
PJ030034 1
PJ030035 1
PJ030039 8
PJ030043 1
PM010014 14