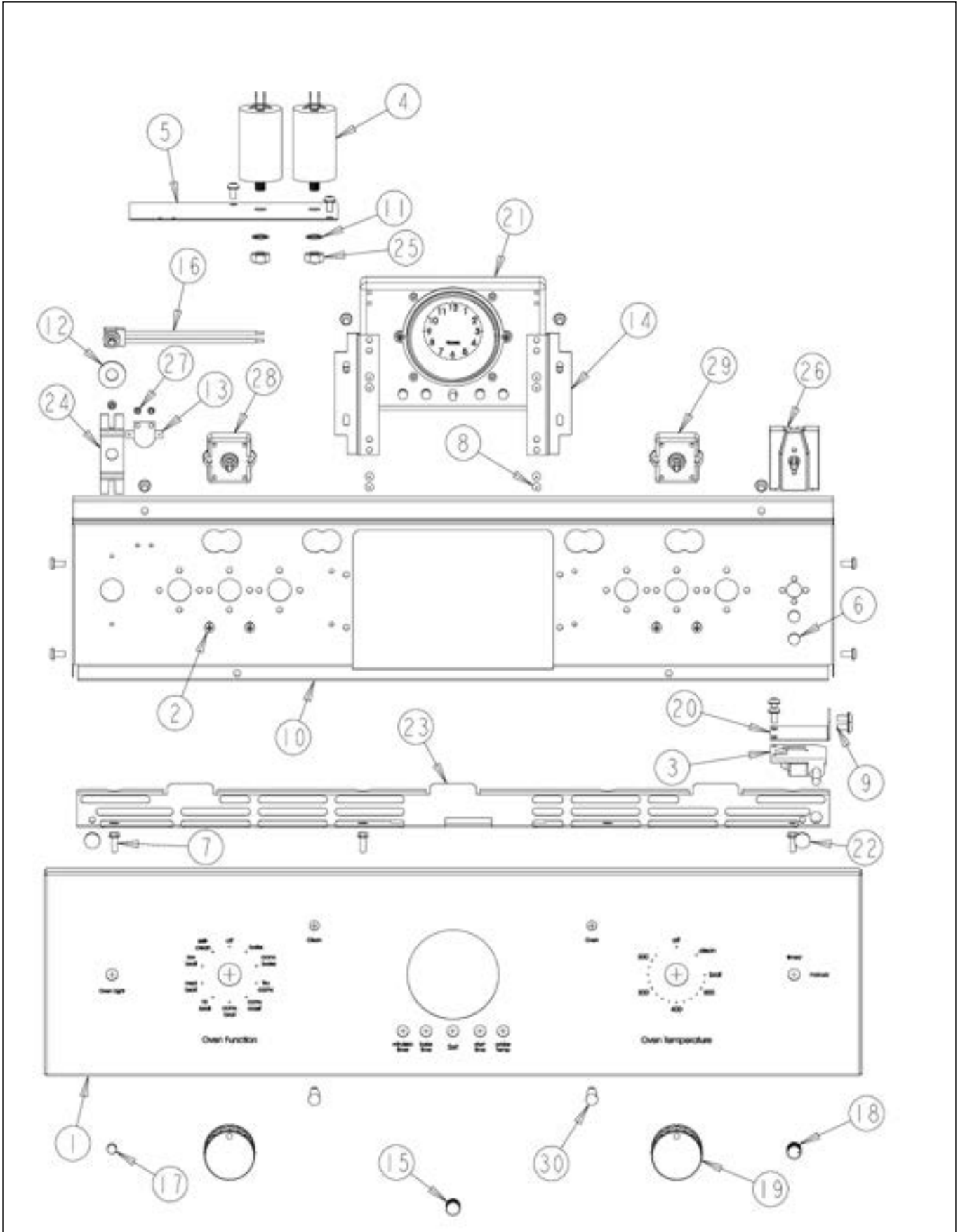


LDES0527

CONTROL AREA	1
DOOR	2
LOWER OVEN AREA	3
OVEN CAVITY INTERIOR	4
OVEN EXTERIOR	5
REAR UNIT AREA	6
SIMPLE HARNESS 1	7
SIMPLE HARNESSES 2	8
UPPER CONTROL HARNESS	9
UPPER OVEN AREA	10
UPPER UNIT AREA AFTER 7-20-06	11
UPPER UNIT AREA BEFORE 7-20-06	12
Appendix A:Pages Index	A
Appendix B:Parts Index	B

CONTROL AREA





Item	Part No.	Name	Qty	Uom	NOTES
1	B92012630	27" ULTRA SINGLE CONTROL PNL	1	EA	
1	C92012630BK	27" ULTRA SINGLE CONTROL PNL *BK*	1	EA	NO LONGER AVAILABLE, Not available online / Call for pricing and availability
1	C92012630BT	27" ULTRA SINGLE CONTROL PNL *BT*	1	EA	NO LONGER AVAILABLE, Not available online / Call for pricing and availability
1	C92012630GG	27" ULTRA SINGLE CONTROL PNL *GG*	1	EA	NO LONGER AVAILABLE, Not available online / Call for pricing and availability
1	C92012630SG	27" ULTRA SINGLE CONTROL PNL *SG*	1	EA	NO LONGER AVAILABLE
1	C92012630WH	27" ULTRA SINGLE CONTROL PNL *WH*	1	EA	NO LONGER AVAILABLE, Not available online / Call for pricing and availability
2	PD020261	' #8-32X1/2" PH PANHEAD MACH. SCREW	1	EA	
3	PE050208	DOOR SWITCH	1	EA	
4	036047-000	CAPACITOR, CONV MOTOR, INTL	1	EA	
5	A10014028	2 CAPACITOR BRACKET	1	EA	
<p>Comments for Part Num. A10014028</p> <p>service@priorityappliance.com on Jan 17, 2019</p> <p>The capacitors are part # 036047-000, found by looking up a VEDO130. Confirmed - they're the same capacitor.</p>					
6	PD020044	#8-32 X 1/4" PH. TR. HD. M.S.	1	EA	
7	PD020060	10 X 1/2" (5/16)HEX WSHR HD.(T)A	1	EA	
8	PD020006	' #6-32 X 1/4" PH.PAN HD. T(F)	1	EA	
9	PD020004	10X3/8PH.HD.TYPE 25 REPL PD040125	1	EA	
10	A20012636	27" CONTROL MTG. PANEL	1	EA	NO LONGER AVAILABLE, Not available online / Call for pricing and availability

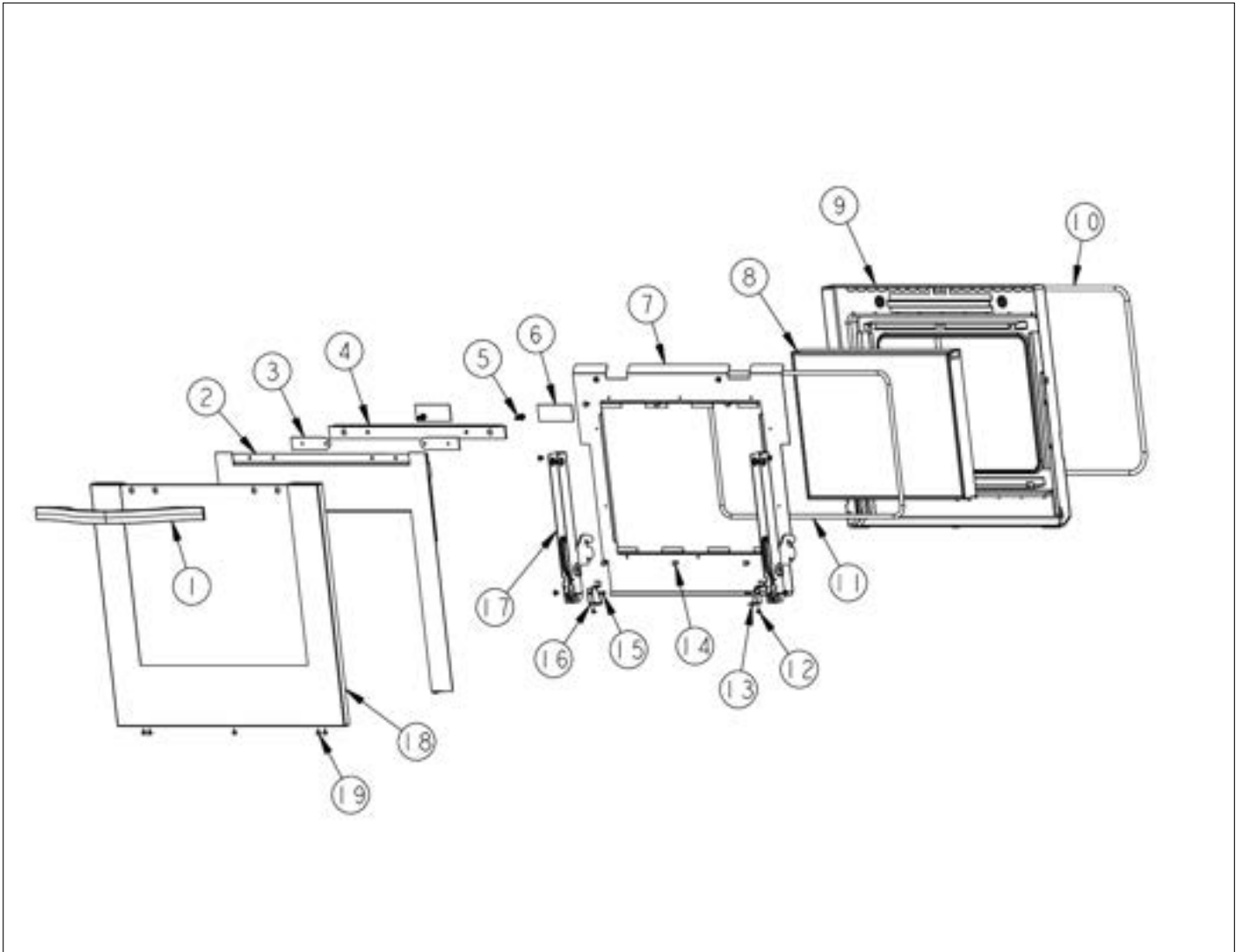


Item	Part No.	Name	Qty	Uom	NOTES
11	PD040164	5/16 INTERNAL TOOTH LOCK WASHER TYPE A	1	EA	
12	PD040160	3/8" STEEL WASHER	1	EA	
13	G50015486	DESIGNER LIMIT SWITCH KIT	1	EA	
Not Shown	NOTE	(BEFORE 07-24-06)		EA	
NI	PJ030043	BI-METAL THERMOSTAT	1	EA	
Not Shown	NOTE	(AFTER 07-24-06)		EA	
14	A20012639	CLOCK BRACKET (ANALOG)	1	EA	
15	PB010313	DESIGNER BIT GENERATOR KNOB	1	EA	
15	PB010313PVD	DESIGNER BIT GENERATOR KNOB-BRASS	1	EA	NO LONGER AVAILABLE
16	G40015469	LIGHT SWITCH ASSEMBLY	1	EA	
17	PA010093	DESIGNER OVEN LT SWITCH KNOB	1	EA	
17	PA010093PVD	DESIGNER OVEN LT SWITCH KNOB-BRASS	1	EA	
18	PA010192	DES. MANUAL TIME KNOB	1	EA	
18	PA010192PVD	DES. MANUAL TIME KNOB-BRASS	1	EA	
19	PA010194	DES. SELECTOR/THERMOSTAT KNOB	1	EA	
19	PA010194PVD	DES. SELECTOR/THERMOSTAT KNOB-BRASS	1	EA	
19	PA010195	DES. SELECTOR/THERMOSTAT KNOB - GREY	1	EA	NO LONGER AVAILABLE
19	PA010195PVD	SELECTOR / THERMOSTAT KNOB - GR / BR	1	EA	Not available online / Call for pricing and availability
20	A20012649	DOOR SWITCH BRACKET	1	EA	
21	PE050140	ANALOG CLOCK 220V 50/60H	1	EA	
22	PD040004	GROMMET BUMPER	1	EA	
23	C90014073BK	27" INLET GRILL	1	EA	



Item	Part No.	Name	Qty	Uom	NOTES
24	A20014045	LIGHT SWITCH BRACKET	1	EA	NO LONGER AVAILABLE, Not available online / Call for pricing and availability
25	PD030172	M8 X 1.25MM NUT	1	EA	
26	PJ030040	2 POSITION SELECTOR SWITCH	1	EA	
27	PD020013	TYPE "AB" #6 X 3/8 PH PAN HD. SMS	1	EA	
28	PJ030033	SELECTOR (10 POS)	1	EA	
29	PJ030035	THERMOSTAT	1	EA	
30	PE050078	VECU POWER LIGHT	1	EA	

DOOR





Item	Part No.	Name	Qty	Uom	NOTES
1	PE030167	30" DOOR HANDLE	1	EA	
1	PE030167PVD	30" DOOR HANDLE PVD	1	EA	NO LONGER AVAILABLE
2	001498-000	Designer 27" Insulation Retainer Kit	1	EA	
3	PC050002	DESIGNER DOOR HANDLE SPACER	1	EA	
4	PE040285	DESIGNER DOOR TRIM	1	EA	Not available online / Call for pricing and availability
5	PD020186	1/4"-20 X 3/4" HEX WASHER HEAD MS	1	EA	Not available online / Call for pricing and availability
6	PB070336	Door Bracket Insulation	1	EA	
7	A20010949	PANEL, INSULATION, INNNER DOOR	1	EA	
8	PE060093	27" WINDOW PACK	1	EA	
9	G91010942	DOOR LINER PORC.	1	EA	
<p>Comments for Part Num. G91010942</p> <p>gboltz@VikingRange.com on Jun 7, 2016</p> <p>Correct part number is G91019042BK</p>					
10	PB070245	27" DOOR GASKET	1	EA	
11	000594-000	BLACK FIBERGLASS ROPE 3/8"	1	EA	
12	PD020063	SCREW-#8(A) X 3/8"PH WFR HD/BK OXID	1	EA	
13	A20012640	HINGE SUPPORT RH	1	EA	
14	PD020002	10 X 1/2 PH.TR.HD.SMS.	1	EA	
15	PD020004	10X3/8PH.HD.TYPE 25 REPL PD040125	1	EA	
16	A20012641	HINGE SUPPORT LH	1	EA	
17	006071-000	DOOR HINGE	1	EA	
18	001453-002	27 in Des. Door Skin Kit w/Logo - BK - NLA	1	EA	NO LONGER AVAILABLE
18	001453-003	27 in Des. Door Skin Kit w/Logo - BT - NLA	1	EA	NO LONGER AVAILABLE

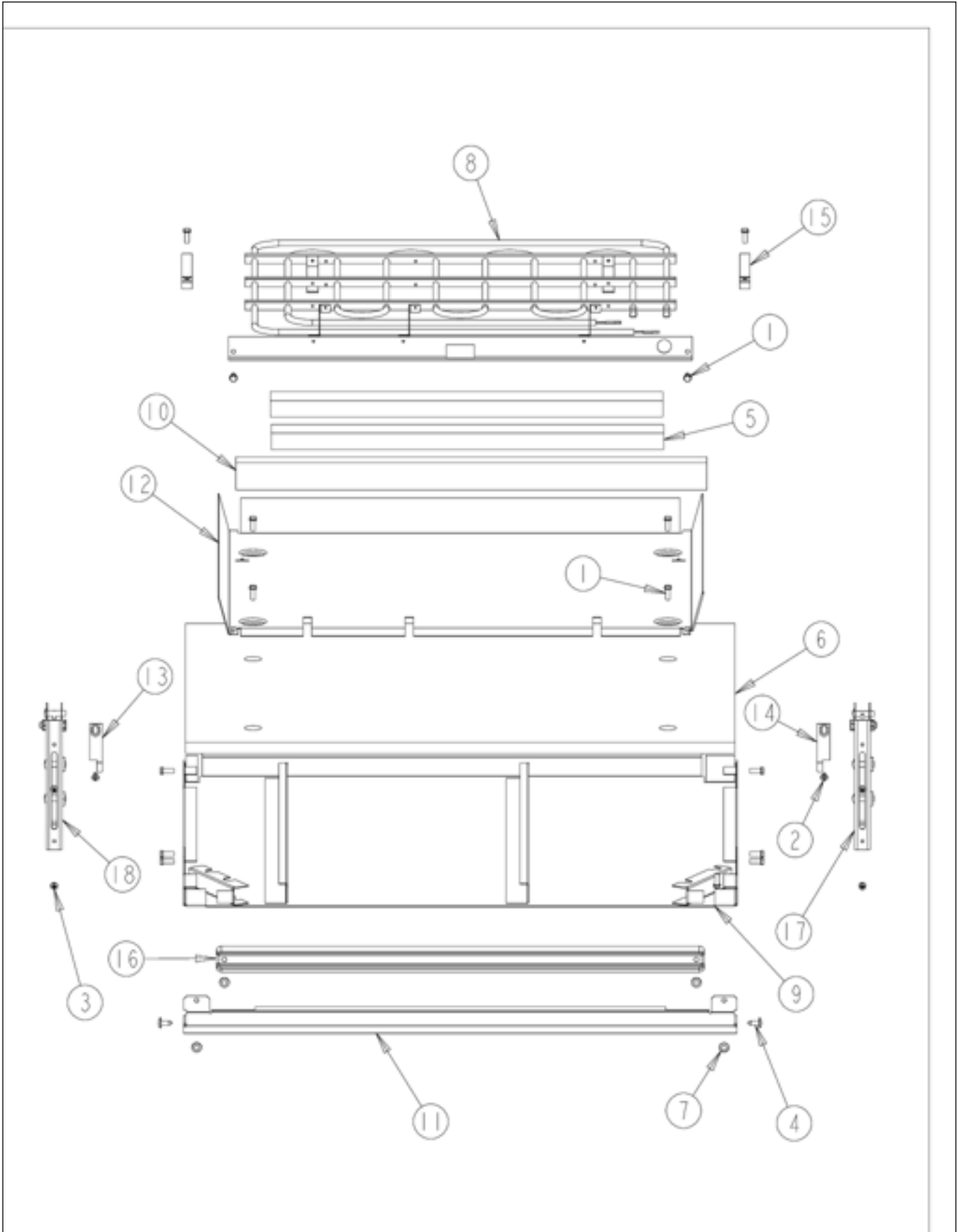


Item	Part No.	Name	Qty	Uom	NOTES
18	001453-005	27 in Des. Door Skin Kit w/Logo - GG	1	EA	NO LONGER AVAILABLE, Not available online / Call for pricing and availability
18	001453-004	27 in Des. Door Skin Kit w/Logo - SG - NLA	1	EA	NO LONGER AVAILABLE
18	001453-000	27 in Des. Door Skin Kit w/Logo - SS - NLA	1	EA	
18	001453-006	27 in Des. Door Skin Kit w/Logo - WH	1	EA	NO LONGER AVAILABLE
19	PD020032	SRW-8(A)X3/8"PH.WFR HD 7/16DIA*NICL	1	EA	
NI	G32012811BK	27" DOOR ASSY W/LOGO *BK*	1	EA	NO LONGER AVAILABLE, Not available online / Call for pricing and availability
NI	G32012811BKBR	27" DOOR ASSY W/LOGO *BKBR*	1	EA	NO LONGER AVAILABLE, Not available online / Call for pricing and availability
NI	G32012811BT	27" DOOR ASSY W/LOGO *BT*	1	EA	NO LONGER AVAILABLE, Not available online / Call for pricing and availability
NI	G32012811BTBR	27" DOOR ASSY W/LOGO *BTBR*	1	EA	NO LONGER AVAILABLE, Not available online / Call for pricing and availability
NI	G32012811GG	27" DOOR ASSY W/LOGO *GG*	1	EA	NO LONGER AVAILABLE, Not available online / Call for pricing and availability
NI	G32012811GGBR	27" DOOR ASSY W/LOGO *GGBR*	1	EA	NO LONGER AVAILABLE, Not available online / Call for pricing and availability
NI	G32012811SG	27" DOOR ASSY W/LOGO *SG*	1	EA	NO LONGER AVAILABLE, Not available online / Call for pricing and availability



Item	Part No.	Name	Qty	Uom	NOTES
NI	G32012811SGBR	27" DOOR ASSY W/LOGO *SGBR*	1	EA	NO LONGER AVAILABLE, Not available online / Call for pricing and availability
NI	G32012811SS	27" DOOR ASSY W/LOGO	1	EA	NO LONGER AVAILABLE
NI	G32012811SSBR	COMPLETE DOOR ASSEMBLY - SSBR	1	EA	
NI	G32012811WH	27" DOOR ASSY W/LOGO *WH*	1	EA	NO LONGER AVAILABLE, Not available online / Call for pricing and availability
NI	G32012811WHBR	27" DOOR ASSY W/LOGO *WHBR*	1	EA	NO LONGER AVAILABLE, Not available online / Call for pricing and availability

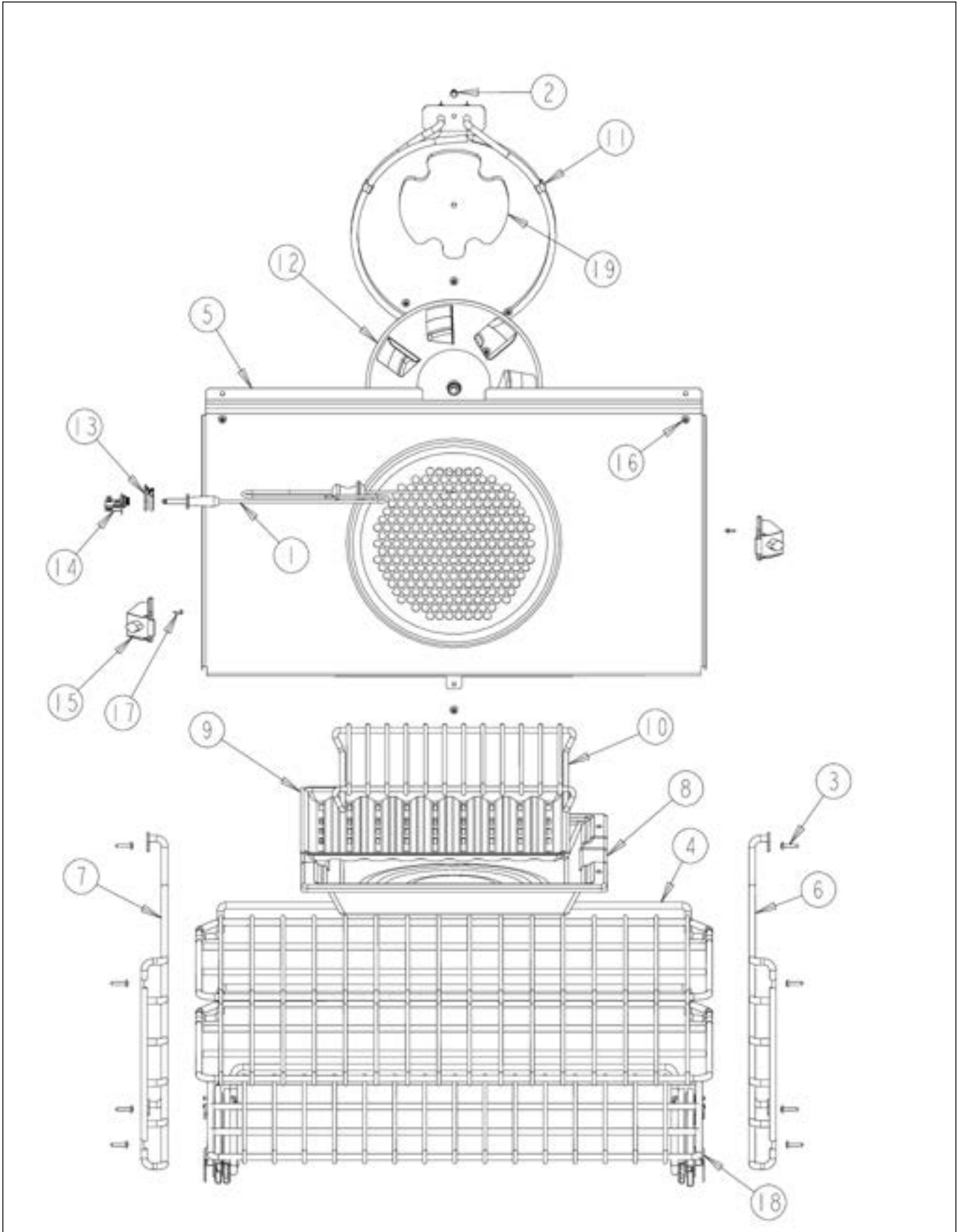
LOWER OVEN AREA





Item	Part No.	Name	Qty	Uom	NOTES
1	PD020060	10 X 1/2" (5/16)HEX WSHER HD.(T)A	1	EA	
2	PD020061	' #8 X 3/4 FLAT HD TEK. *SS*	1	EA	
3	PD020062	#8-32 X 3/8 PHMS TYPE 1	1	EA	
4	PD020002	10 X 1/2 PH.TR.HD.SMS.	1	EA	
5	PB070273	Window Pack Insulation	1	EA	
6	PB070300	27" BOTTOM INSULATION	1	EA	NO LONGER AVAILABLE, Not available online / Call for pricing and availability
7	PD020063	SCREW-#8(A) X 3/8"PH WFR HD/BK OXID	1	EA	
8	PJ010057	BAKE ELEMENT (208 VOLT)	1	EA	
9	G30010922	BASE MODULE ASSY 27	1	EA	
10	PB070309	BAKE ELEMENT INSULATION	1	EA	
11	C90012822BK	BOTTOM AIR DEFLECTOR 27"	1	EA	
12	A20010932	ELEMENT, MTG TRAY	1	EA	
13	B21010916	LH HINGE CLIP	1	EA	
14	B21010915	RH HINGE CLIP	1	EA	
15	A2009696	HOLDER, BAKE ELEMENT	1	EA	
16	E9109655	BAKE TRAY COVER	1	EA	
17	PC020221	HINGE POCKET RECEIVER MANSFIELD RH	1	EA	
18	PC020247	HINGE POCKET RECEIVER MANSFIELD LH	1	EA	

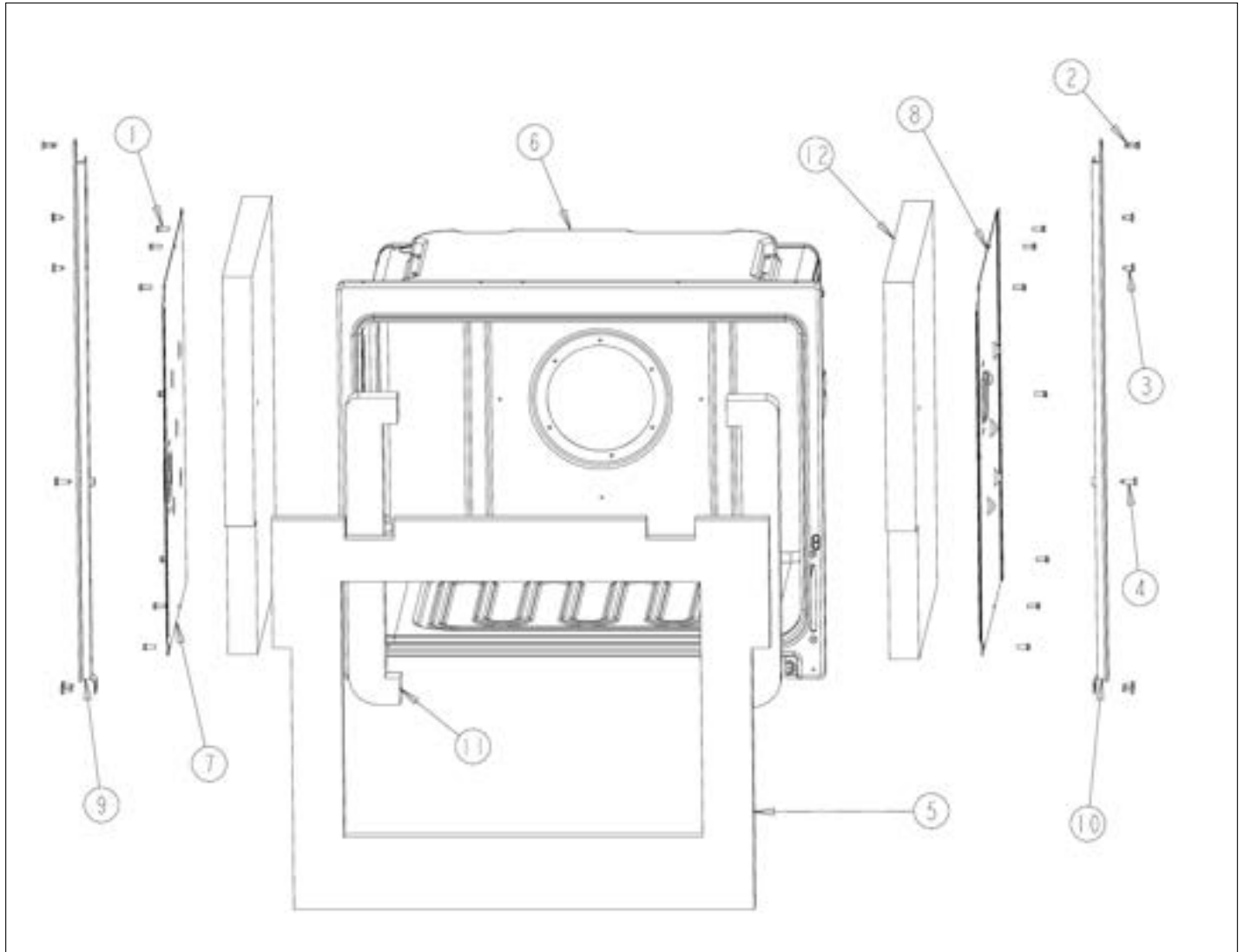
OVEN CAVITY INTERIOR





Item	Part No.	Name	Qty	Uom	NOTES
1	PE050114	MEAT PROBE (DESO/DEDO) (SWITCHCRAFT'S PART # 4C7919)		EA	
2	PD020060	10 X 1/2" (5/16)HEX WSHER HD.(T)A		EA	
3	PD020232	#8 X 3/4" PH PAN HEAD TEK SCREW (BLACK OXIDE)		EA	
4	041045-000	27" OVEN RACK		EA	
5	G91013597	BAFFLE,ASSY 27" BK		EA	
6	PB060103	RACK SUPPORT RH		EA	
7	PB060104	RACK SUPPORT LH		EA	
8	E9107933	BROILER PAN		EA	
9	E9107934	BROILER PAN INSERT - NLA		EA	
10	PB080020	BROILER PAN RACK		EA	
11	PJ010056	CONVECTION ELEMENT (208 VOLT)		EA	
12	G32014020	CONVECTION FAN ASSY		EA	
13	PM010160	MEAT PROBE JACK COVER (SWITCHCRAFT'S PART# 2C1098)		EA	
14	PE050115	MEAT PROBE JACK (SWITCHCRAFT'S PART# 3J1505)		EA	
<p>Comments for Part Num. PE050115</p> <p>bradleysapplianceservice@shaw.ca on May 8, 2017 Meat probe is not illustrated on Parts Break Down. PE050114 MEAT PROBE</p>					
15	PE050056	OVEN LIGHT ASSY 12V/5W		EA	
NI	062116-000	REPLACEMENT BULB (FOR PE050056 ASSEMBLY)		EA	
16	PD020055	#10 X 1/2" PAN PHIL. TEK.*SS*		EA	
17	PD020013	TYPE "AB" #6 X 3/8 PH PAN HD. SMS		EA	
18	024737-000	27" SLIDING OVEN RACK		EA	
19	PB070312	CONVECTION MOTOR MTG. PLATE INSULATION		EA	

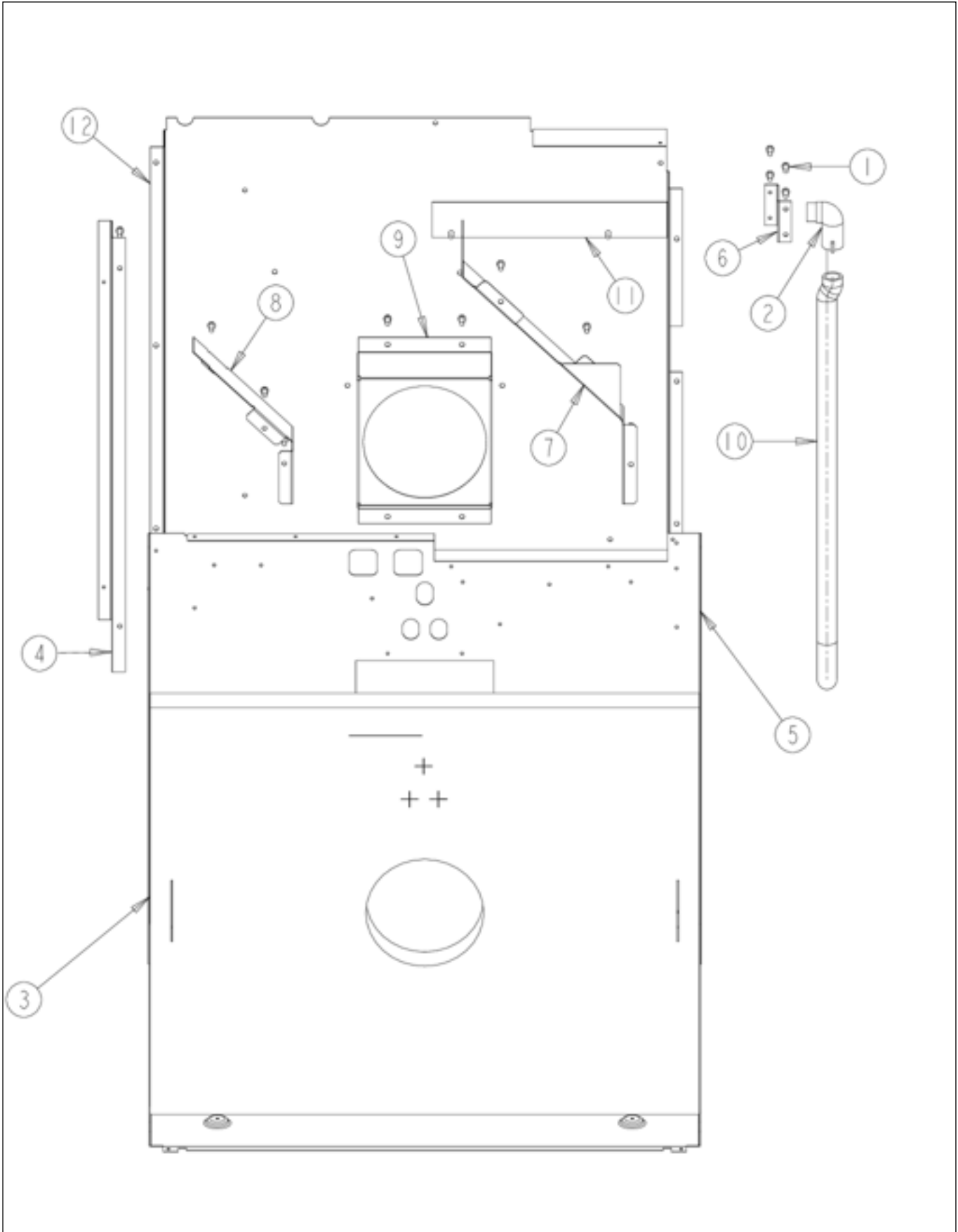
OVEN EXTERIOR





Item	Part No.	Name	Qty	Uom	NOTES
1	PD020060	10 X 1/2" (5/16)HEX WSHER HD.(T)A	1	EA	
2	PD020061	' #8 X 3/4 FLAT HD TEK. *SS*	1	EA	
3	PD020002	10 X 1/2 PH.TR.HD.SMS.	1	EA	
4	PD020014	10X3/4 PH TR HD SMS	1	EA	
5	PB070276	27" DOOR INSULATION	1	EA	
6	G91014042	27" PREMIERE CAVITY ASSY	1	EA	
7	A20012650	BRKT, TOP WRAPPER LEFT	1	EA	Not available online / Call for pricing and availability
8	A2009622	BRKT, TOP WRAPPER, RIGHT	1	EA	Not available online / Call for pricing and availability
9	PE040282	DES. SINGLE SIDE TRIM LH	1	EA	NO LONGER AVAILABLE
10	PE040281	DES. SINGLE SIDE TRIM RH	1	EA	NO LONGER AVAILABLE
11	PB070271	DOOR PLUG INSULATION	1	EA	
12	PB070302	SIDE INSULATION	1	EA	

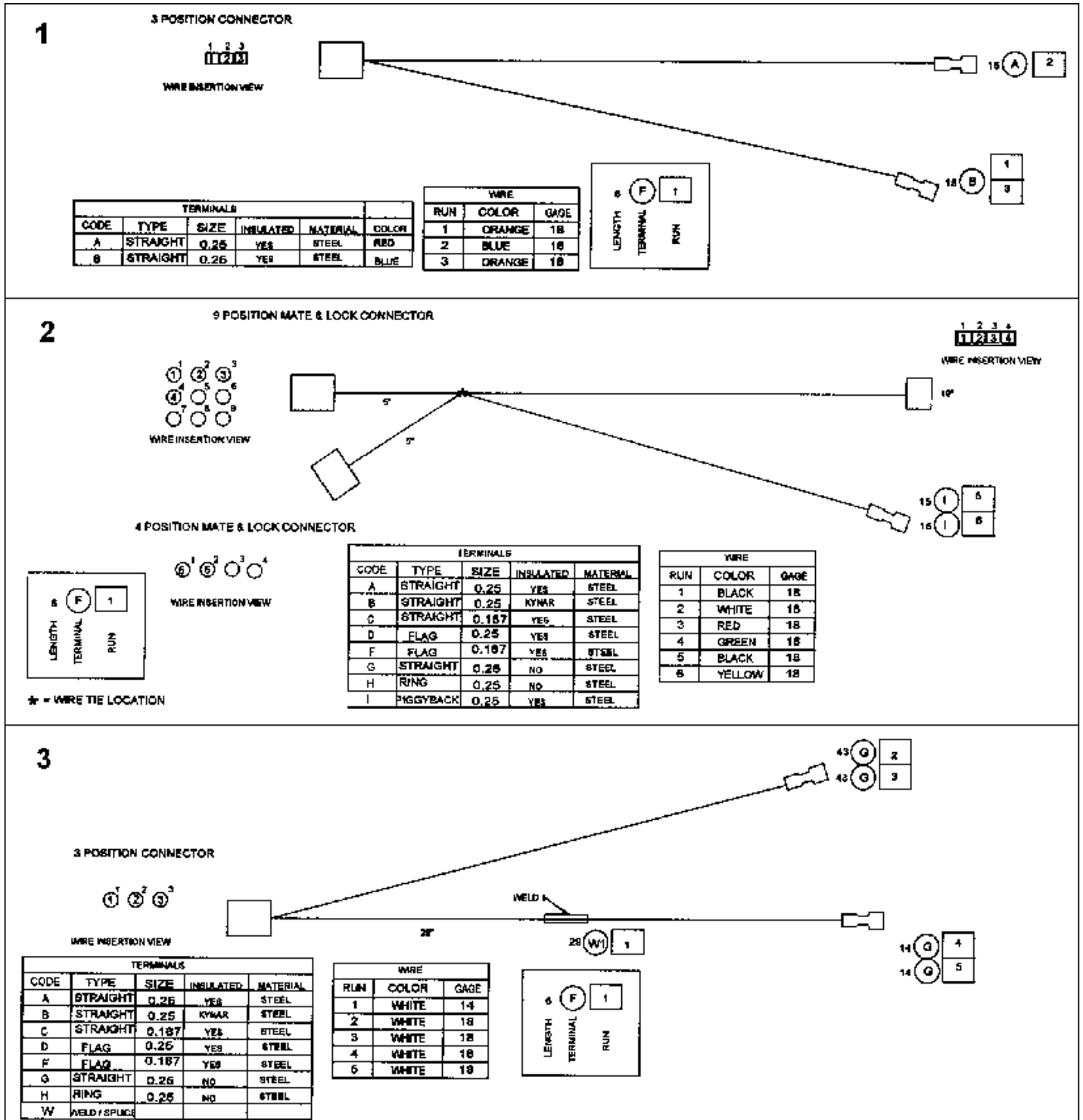
REAR UNIT AREA





Item	Part No.	Name	Qty	Uom	NOTES
1	PD020060	10 X 1/2" (5/16)HEX WSHER HD.(T)A	1	EA	
2	PB040070	CONDUIT FITTING (90 DEG)	1	EA	
3	PB070301	27" BACK INSULATION	1	EA	NO LONGER AVAILABLE, Not available online / Call for pricing and availability
4	A2009666	AIR CHANNEL	1	EA	
5	A20010931	BASE, BACK WRAPPER, 27"	1	EA	
6	A2009671	BRACKET, POWER CABLE	1	EA	
7	A21010918	BRACKET, AIR, CONVECTION MOTOR	1	EA	
8	A21010919	BRACKET, AIR, CONVECTION MOTOR	1	EA	
9	A2009697	BRACKET, CONVECTION INSULATION	1	EA	
10	PB020071	CONDUIT - FLEXIBLE (48")	1	EA	
11	A10010907	COVER, BLOWER	1	EA	
12	A20010937	PANEL, REAR 27"	1	EA	

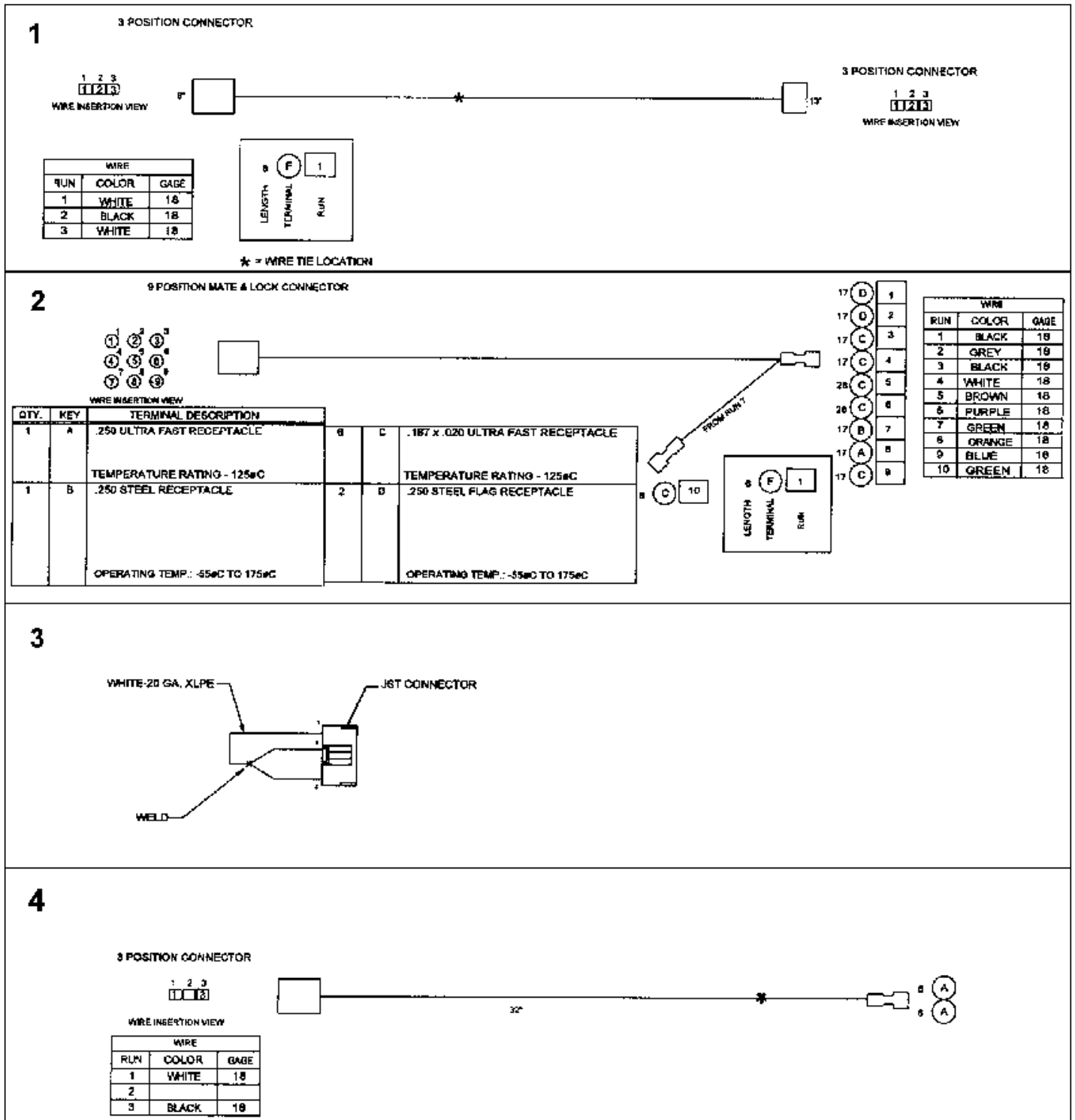
SIMPLE HARNESS 1





Item	Part No.	Name	Qty	Uom	NOTES
1	PE070745	SINGLE ANALOG CLOCK HARNESS	1	EA	
2	PE070754	TEST HARNESS SINGLE	1	EA	Not available online / Call for pricing and availability
3	PE070739	BAKE ELEMENT HARNESS	1	EA	
NI	G4005496	SUPPLY WIRE - 100" BK 10GA SO/DO	1	EA	
NI	G4005497	SUPPLY WIRE - 100" GREEN 10GA SO/DO	1	EA	
NI	G4005499	SUPPLY WIRE - 100" RED 10GA SO/DO	1	EA	
NI	G4005494	SUPPLY WIRE - 75" WH 12 GA SO/DO - NLA	1	EA	

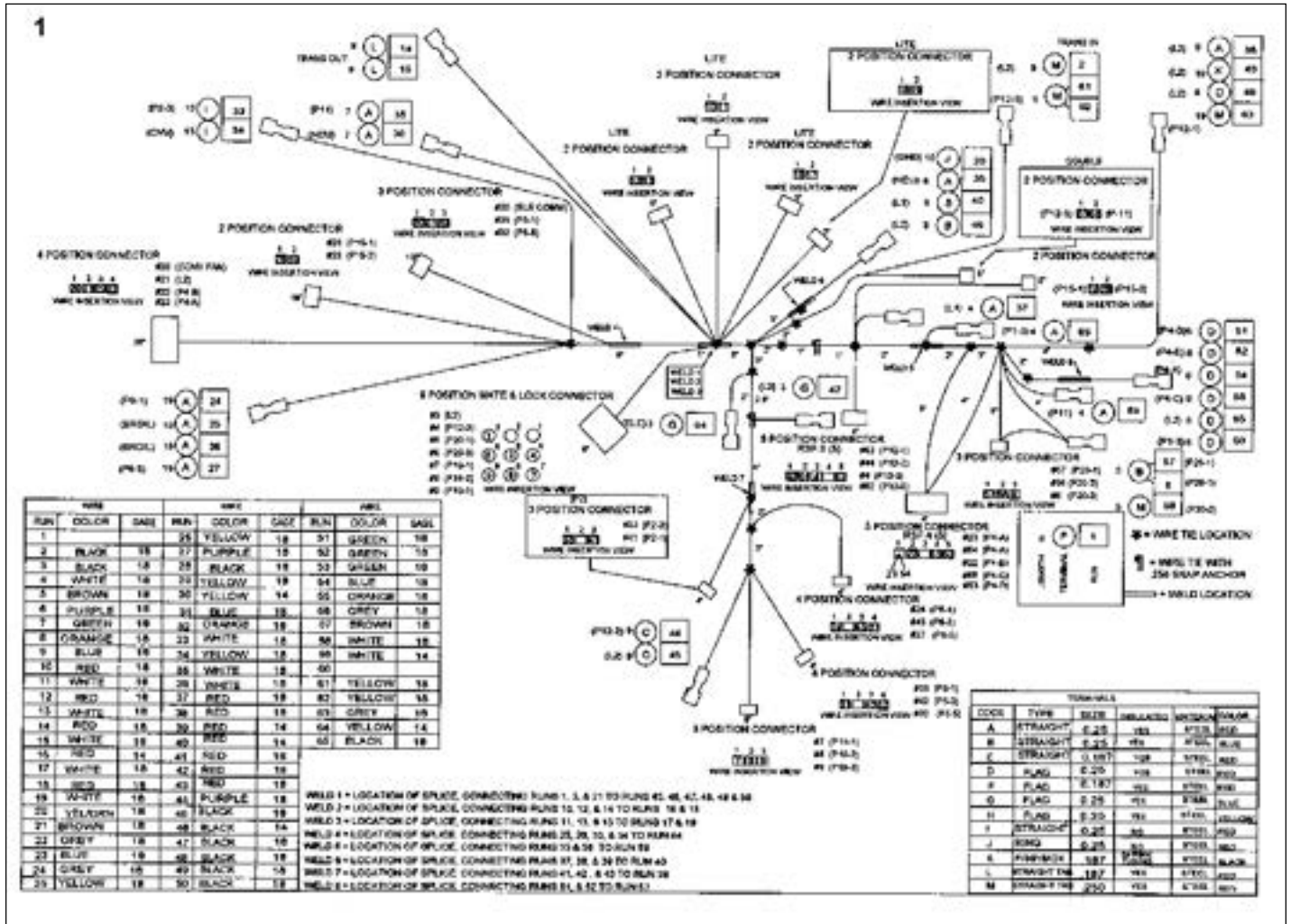
SIMPLE HARNESSES 2





Item	Part No.	Name	Qty	Uom	NOTES
1	PE070738	T/STAT-SEL HARNESS	1	EA	
2	PE070733	UPPER LATCH HARNESS	1	EA	
3	PE070734	HARN, HEADER, MODEL 14 (SEE (MODEL_HEADER))	1	EA	
4	PE070735	MEAT PROBE HARNESS	1	EA	

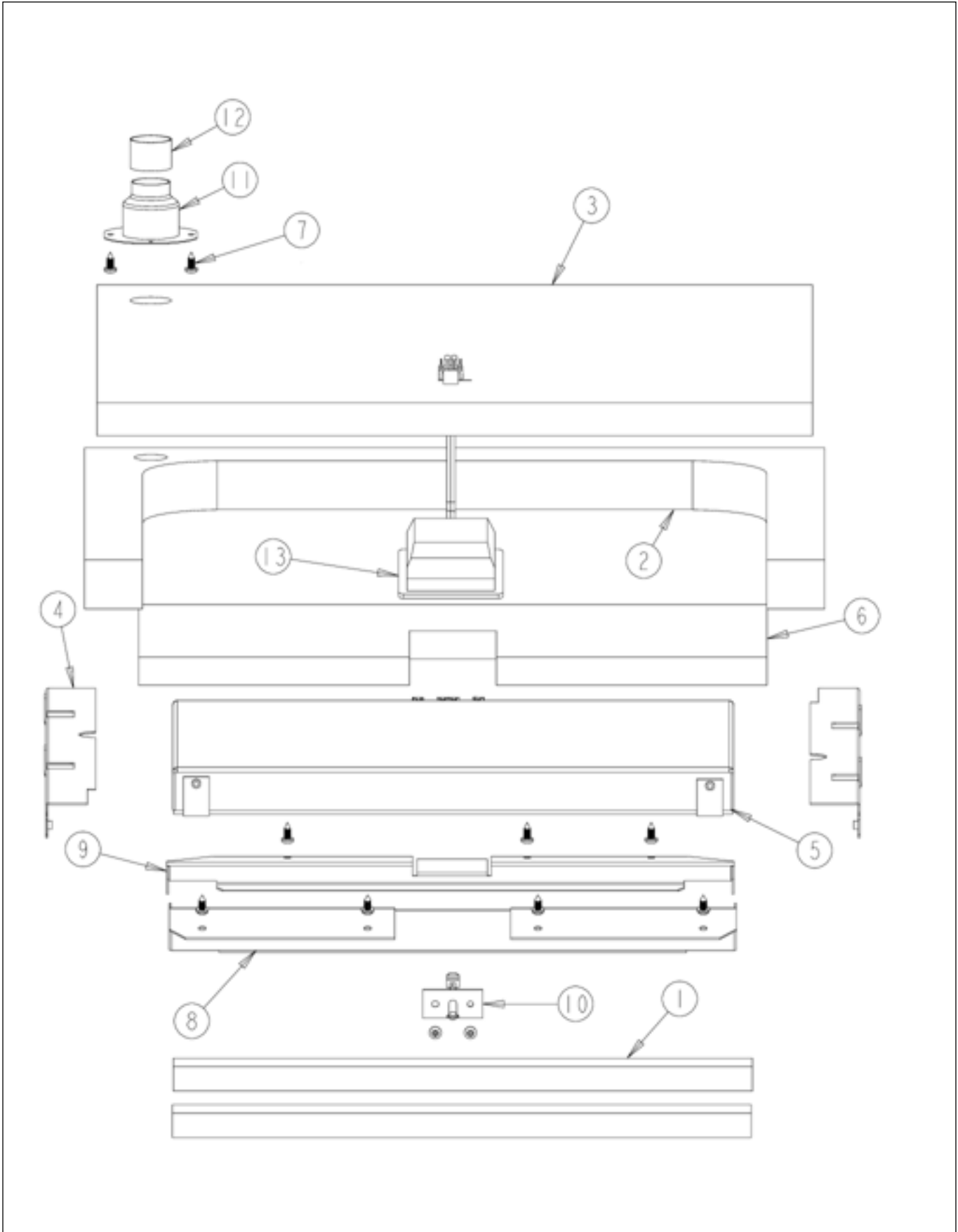
UPPER CONTROL HARNESS





Item	Part No.	Name	Qty	Uom	NOTES
1	PE070742	UPPER CONTROL HARNESS	1	EA	

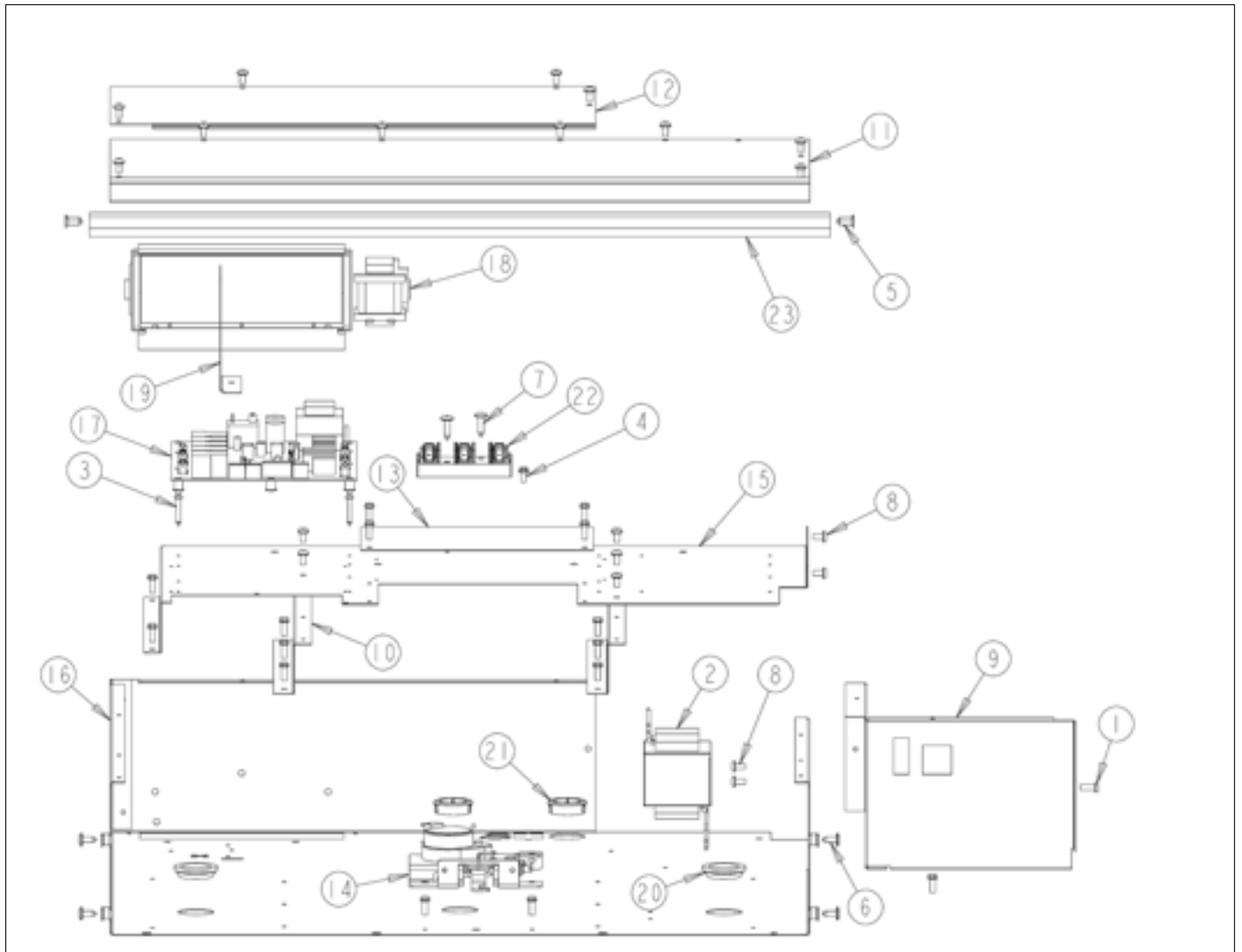
UPPER OVEN AREA





Item	Part No.	Name	Qty	Uom	NOTES
1	PB070273	Window Pack Insulation	1	EA	
2	PB070306	Top Broil Insulation	1	EA	Not available online / Call for pricing and availability
3	PB070307	Top Insulation	1	EA	Not available online / Call for pricing and availability
4	A2009641	BRKT, TOP WRAPPER	1	EA	
5	024040-000	ELEMENT, RIBBON	1	EA	
6	PB070337	Liner Insulation	1	EA	
7	PD020055	#10 X 1/2" PAN PHIL. TEK.*SS*	1	EA	
8	024234-000	BRACKET, BROILER, FRONT	1	EA	
9	024221-000	BRACKET, BROILER, REAR	1	EA	
10	PE050206	RTD THERMOSTAT PROBE	1	EA	
11	PM010014	SMOKE ELIMINATOR (VDSC)	1	EA	
12	PB020275	VENT TUBE	1	EA	
13	PE050205	Top Halogen Light	1	EA	

UPPER UNIT AREA AFTER 7-20-06



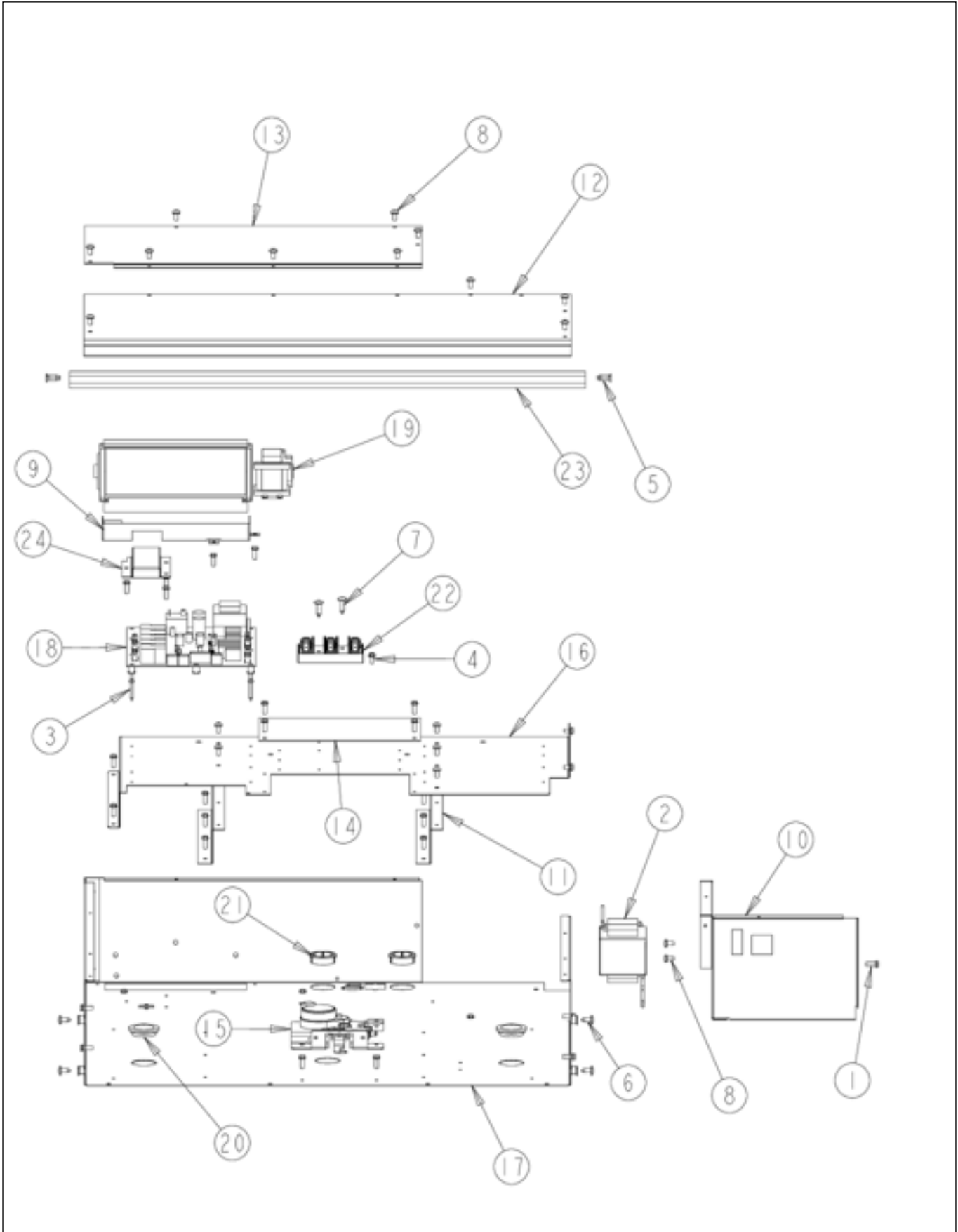


Item	Part No.	Name	Qty	Uom	NOTES
1	PD020060	10 X 1/2" (5/16)HEX WSHER HD.(T)A	1	EA	
2	PE070634	HALOGEN LIGHT TRANSFORMER	1	EA	NO LONGER AVAILABLE
3	PD020185	Screw, 6 X 1" Pan Head	1	EA	
4	PD020010	10 X 3/8 GREEN GROUNDING SCREW	1	EA	
5	PD020231	#8 X 1/2" PH FLAT HEAD TEK SCREW (BLACK OXIDE)	1	EA	NO LONGER AVAILABLE, Not available online / Call for pricing and availability
6	PD020002	10 X 1/2 PH.TR.HD.SMS.	1	EA	
7	PD020014	10X3/4 PH TR HD SMS	1	EA	
8	PD020004	10X3/8PH.HD.TYPE 25 REPL PD040125	1	EA	
9	A20010934	BRACKET, MODULE PAN	1	EA	
10	A20010910	BRACKET, SUPPORT, ELECTRONICS HAT	1	EA	
11	A20014046	Front Cover	1	EA	Not available online / Call for pricing and availability
12	A20014047	27" REAR COVER	1	EA	
13	A10010911	Latch Cover	1	EA	
14	013250-000	LATCH,DOOR,ASM,240V,GRID DLE LOCKOUT	1	EA	
15	A20010935	ELECTRONICS HAT	1	EA	
16	A20010933	MODULE PAN 27"	1	EA	
17	002406-000	CONTROL BOARD	1	EA	
<p>Comments for Part Num. 002406-000</p> <p>haarnink@vikingrange.com on Jun 18, 2015</p> <p>For the international E Model numbers EVDSC5 we need to add the info that sins First unit was EVDSC530S4B: 092314C10147281 any EVDSC built in 2014 went into production with EOC4. so here we need to add the part number 014000-000 EOC4 plus the SMPS part number 013999-000</p>					
18	PE050250	Blower	1	EA	



Item	Part No.	Name	Qty	Uom	NOTES
Comments for Part Num. PE050250					
highendappsvc@gmail.com on Jan 28, 2019					
If you need to replace cooling fan for the model vgsc5486gss serial date code 031412, do not order this fan, this fan is larger and configured wrong. The correct fan is 007794-000. it is smaller.					
19	A2009667	REAR AIR DIVIDER	1	EA	
20	PB070079	SILICONE EXTRUSION (DGSU)	1	EA	
21	PD040152	SNAP BUSHING	1	EA	
22	PE070147	TERMINAL BLOCK (VDSC)	1	EA	
23	PE040279	27" DES. TOP TRIM	1	EA	NO LONGER AVAILABLE, Not available online / Call for pricing and availability

UPPER UNIT AREA BEFORE 7-20-06





Item	Part No.	Name	Qty	Uom	NOTES
1	PD020060	10 X 1/2" (5/16)HEX WSHER HD.(T)A	1	EA	
2	PE070634	HALOGEN LIGHT TRANSFORMER	1	EA	NO LONGER AVAILABLE
3	PD020185	Screw, 6 X 1" Pan Head	1	EA	
4	PD020010	10 X 3/8 GREEN GROUNDING SCREW	1	EA	
5	PD020061	' #8 X 3/4 FLAT HD TEK. *SS*	1	EA	
6	PD020002	10 X 1/2 PH.TR.HD.SMS.	1	EA	
7	PD020014	10X3/4 PH TR HD SMS	1	EA	
8	PD020004	10X3/8PH.HD.TYPE 25 REPL PD040125	1	EA	
9	A20014035	27" BLOWER BRACKET	1	EA	NO LONGER AVAILABLE, Not available online / Call for pricing and availability
10	A20010934	BRACKET, MODULE PAN	1	EA	
11	A20010910	BRACKET, SUPPORT, ELECTRONICS HAT	1	EA	
12	A20014046	Front Cover	1	EA	Not available online / Call for pricing and availability
13	A20014047	27" REAR COVER	1	EA	
14	A10010911	Latch Cover	1	EA	
15	013250-000	LATCH,DOOR,ASM,240V,GRID DLE LOCKOUT	1	EA	
16	A20010935	ELECTRONICS HAT	1	EA	
17	A20010933	MODULE PAN 27"	1	EA	
18	002406-000	CONTROL BOARD	1	EA	
<p>Comments for Part Num. 002406-000</p> <p>haarnink@vikingrange.com on Jun 18, 2015</p> <p>For the international E Model numbers EVDSC5 we need to add the info that since First unit was EVDSC530S4B: 092314C10147281 any EVDSC built in 2014 went into production with EOC4. so here we need to add the part number 014000-000 EOC4 plus the SMPS part number 013999-000</p>					
19	PE050250	Blower	1	EA	



Item	Part No.	Name	Qty	Uom	NOTES
Comments for Part Num. PE050250					
highendappsvc@gmail.com on Jan 28, 2019					
If you need to replace cooling fan for the model vgsc5486gss serial date code 031412, do not order this fan, this fan is larger and configured wrong. The correct fan is 007794-000. it is smaller.					
20	PB070079	SILICONE EXTRUSION (DGSU)	1	EA	
21	PD040152	SNAP BUSHING	1	EA	
22	PE070147	TERMINAL BLOCK (VDSC)	1	EA	
23	PE040279	27" DES. TOP TRIM	1	EA	NO LONGER AVAILABLE, Not available online / Call for pricing and availability
24	A20014033	UPPER VENT COVER	1	EA	NO LONGER AVAILABLE, Not available online / Call for pricing and availability



Appendix A:Pages Index

CONTROL AREA 1
DOOR 2
LOWER OVEN AREA 3
OVEN CAVITY INTERIOR 4
OVEN EXTERIOR 5
REAR UNIT AREA 6
SIMPLE HARNESS 1 7
SIMPLE HARNESES 2 8
UPPER CONTROL HARNESS 9
UPPER OVEN AREA 10
UPPER UNIT AREA AFTER 7-20-06 11
UPPER UNIT AREA BEFORE 7-20-06 12



Appendix B:Parts Index

000594-000	2	A2009622	5
001453-000	2	A2009641	10
001453-002	2	A2009666	6
001453-003	2	A2009667	11
001453-004	2	A2009671	6
001453-005	2	A2009696	3
001453-006	2	A2009697	6
001498-000	2	A21010918	6
002406-000	11, 12	A21010919	6
006071-000	2	B21010915	3
013250-000	11, 12	B21010916	3
024040-000	10	B92012630	1
024221-000	10	C90012822BK	3
024234-000	10	C90014073BK	1
024737-000	4	C92012630BK	1
036047-000	1	C92012630BT	1
041045-000	4	C92012630GG	1
062116-000	4	C92012630SG	1
A10010907	6	C92012630WH	1
A10010911	11, 12	E9107933	4
A10014028	1	E9107934	4
A20010910	11, 12	E9109655	3
A20010931	6	G30010922	3
A20010932	3	G32012811BK	2
A20010933	11, 12	G32012811BKBR	2
A20010934	11, 12	G32012811BT	2
A20010935	11, 12	G32012811BTBR	2
A20010937	6	G32012811GG	2
A20010949	2	G32012811GGBR	2
A20012636	1	G32012811SG	2
A20012639	1	G32012811SGBR	2
A20012640	2	G32012811SS	2
A20012641	2	G32012811SSBR	2
A20012649	1	G32012811WH	2
A20012650	5	G32012811WHBR	2
A20014033	12	G32014020	4
A20014035	12	G40015469	1
A20014045	1	G4005494	7
A20014046	11, 12	G4005496	7
A20014047	11, 12	G4005497	7
		G4005499	7



G50015486	1	PD020013	1, 4
G91010942	2	PD020014	5, 11, 12
G91013597	4	PD020032	2
G91014042	5	PD020044	1
PA010093	1	PD020055	4, 10
PA010093PVD	1	PD020060	1, 3, 4, 5, 6, 11, 12
PA010192	1	PD020061	3, 5, 12
PA010192PVD	1	PD020062	3
PA010194	1	PD020063	2, 3
PA010194PVD	1	PD020185	11, 12
PA010195	1	PD020186	2
PA010195PVD	1	PD020231	11
PB010313	1	PD020232	4
PB010313PVD	1	PD020261	1
PB020071	6	PD030172	1
PB020275	10	PD040004	1
PB040070	6	PD040152	11, 12
PB060103	4	PD040160	1
PB060104	4	PD040164	1
PB070079	11, 12	PE030167	2
PB070245	2	PE030167PVD	2
PB070271	5	PE040279	11, 12
PB070273	3, 10	PE040281	5
PB070276	5	PE040282	5
PB070300	3	PE040285	2
PB070301	6	PE050056	4
PB070302	5	PE050078	1
PB070306	10	PE050114	4
PB070307	10	PE050115	4
PB070309	3	PE050140	1
PB070312	4	PE050205	10
PB070336	2	PE050206	10
PB070337	10	PE050208	1
PB080020	4	PE050250	11, 12
PC020221	3	PE060093	2
PC020247	3	PE070147	11, 12
PC050002	2	PE070634	11, 12
PD020002	2, 3, 5, 11, 12	PE070733	8
PD020004	1, 2, 11, 12	PE070734	8
PD020006	1	PE070735	8
PD020010	11, 12	PE070738	8



PE070739	7
PE070742	9
PE070745	7
PE070754	7
PJ010056	4
PJ010057	3
PJ030033	1
PJ030035	1
PJ030040	1
PJ030043	1
PM010014	10
PM010160	4