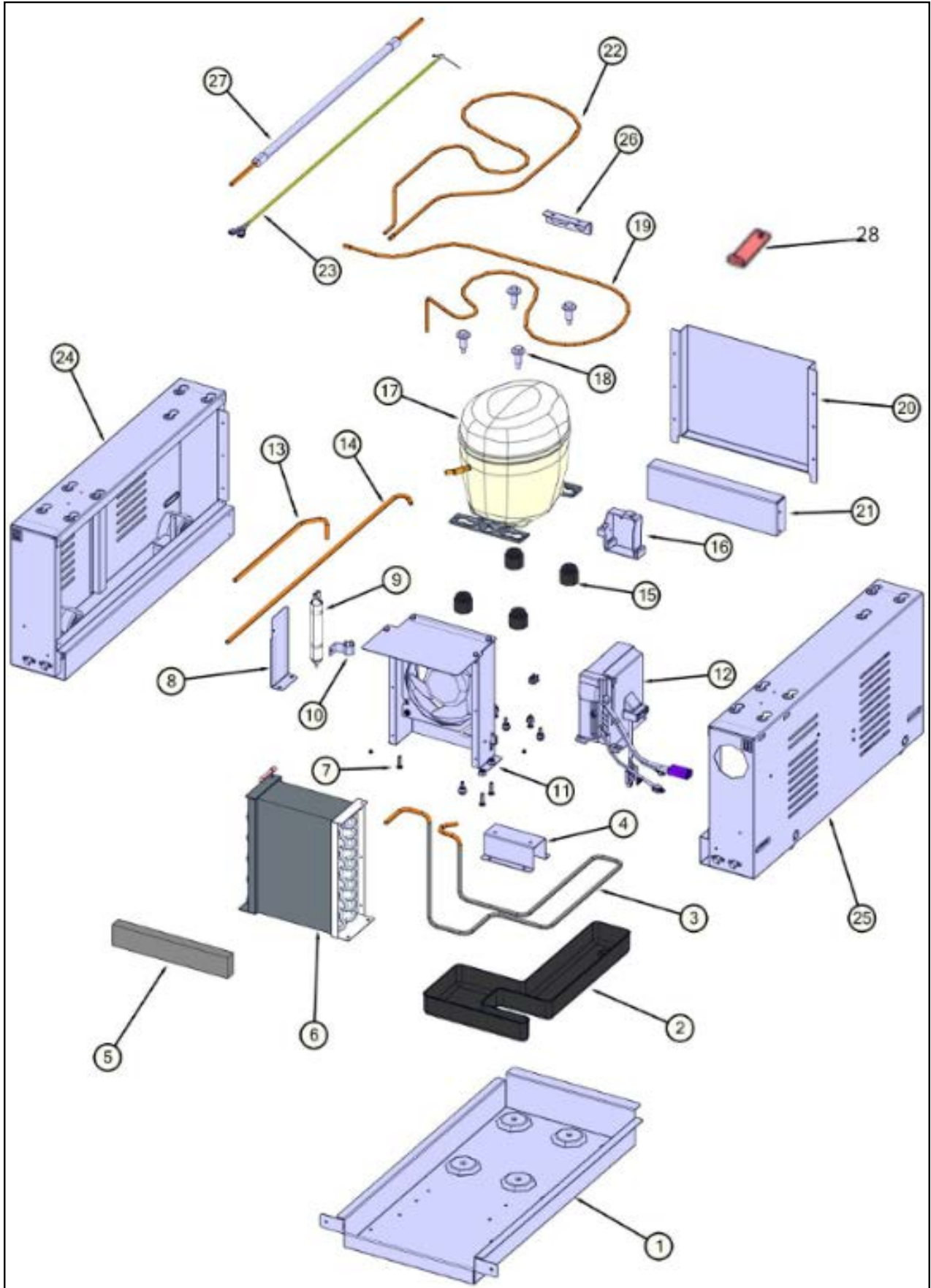


MVFI7180WLSS

Bottom View	1
Control View	2
Rear Interior View	3
Interior Shelving View	4
Front Cab View	5
Exterior View	6
Decor View	7
Top View	8
Water System View	9
Door View	10
Wiring View	11
Wiring Diagram	12
Appendix A:Pages Index	A
Appendix B:Parts Index	B

Bottom View



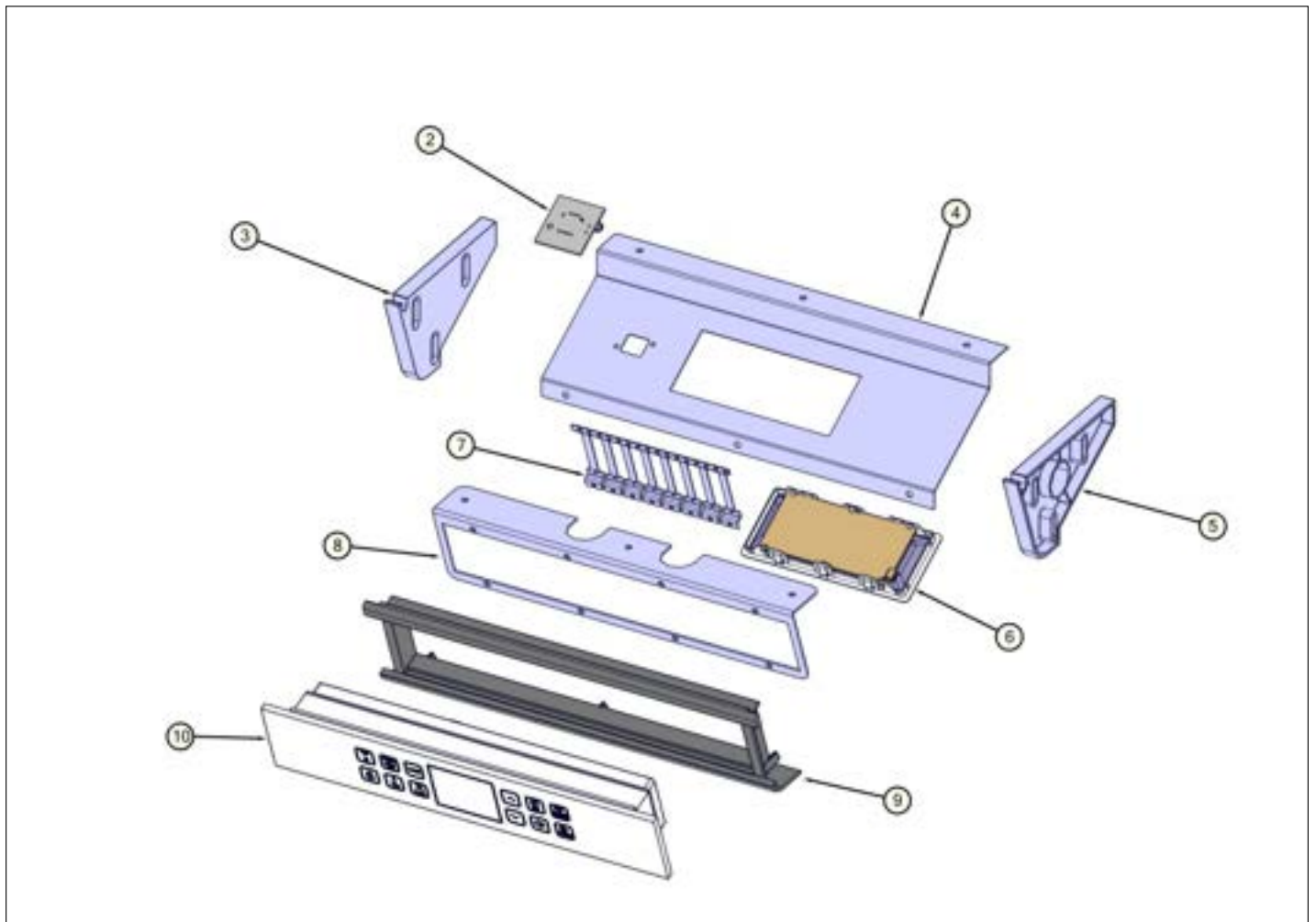


Item	Part No.	Name	Qty	Uom	NOTES
1	060276-000	MOBILITY TRAY, MC, 7 SERIES 18"	1	EA	
2	064750-000	PAN, MC, DRAIN, 18 COLUMN 7 SERIES	1	EA	
3	064825-000	LINE, DSCH, CNDR, COLUMN, 18 AF 7 SERIES	1	EA	
4	064869-000	BRKT, INV, 18" AF 7 SERIES	1	EA	
5	062230-000	CONDENSER FOAM, COLUMN 7 SERIES	1	EA	
NI	068507-000	FOAM, BAF, KPL, CNDR, COLUMN 7 SERIES	2	EA	
6	062226-000	CONDENSER, 7 SERIES COLUMNS	1	EA	
7	055051-000	STUD, #10-32, 5/8, MC, MOBILITY, TRAY, BM 7 SERIES	10	EA	
8	063926-000	BRKT, DRYER, COLUMN 7 SERIES	1	EA	
9	030926-000	DRIER - HIGH SIDE	1	EA	
10	10547001	CLIP-DRIER V10547001	1	EA	
11	064382-000	CNDR FAN, SPRT, ASM, COLUMN 18/24 7 SERIES	1	EA	
12	054917-601	INVERTER, CMPR, FREEZER, 7 SERIES BM/COLUMNS	1	EA	
13	066989-000	TUBE, PROCESS, HIGH SIDE, AF, 18" 7 SERIES	1	EA	
14	066988-000	TUBE, PROCESS, LOW SIDE, AF, 18" 7 SERIES	1	EA	
15	053739-000	GROMMET, CMPR, BM 7 SERIES	4	EA	
16	060129-000	COMPRESSOR, CVR, 7 SERIES	1	EA	
17	062775-000	VEGD 8H COMPRESSOR	1	EA	
18	M0221523	SCREW - SHLDR	4	EA	
19	067036-000	LOOP, OMEGA, HOT LOOP, EXIT, AF 24	1	EA	
20	060272-000	MC, REAR PANEL, 7 SERIES 18"	1	EA	
NI	PD020194	SCR, HEX SRTD WSHR HD, #8- 18 X 1/2	10	EA	
21	060273-000	MC, ANTI-TIP, SUPPORT, 7 SERIES 18"	1	EA	
22	067037-000	LOOP, OMEGA, HOT LOOP, OUTLET, AF 24	1	EA	



Item	Part No.	Name	Qty	Uom	NOTES
23	058535-000	EVAP, THERMISTOR, 7 SERIES	1	EA	
Comments for Part Num. 058535-000					
gboltz@VikingRange.com on Jun 10, 2019					
Order 066362-000 foil tape with thermistor for isolating dis-similar metals.					
24	066702-000	HSG, R, MC ASSY, 7 SERIES	1	EA	
25	066705-000	HSG, L, MC, ASSY, 7 SERIES	1	EA	
26	064288-000	BRKT, CONN, MC, COLUMN 7 SERIES	1	EA	
27	066115-000	FLEX LINE, 24" 7 SERIES	1	EA	
28	068933-000	BRKT, BREAKER FRAME, 7 SERIES	2	EA	
NI	M0104102	CLIP-CORD RED	1	EA	

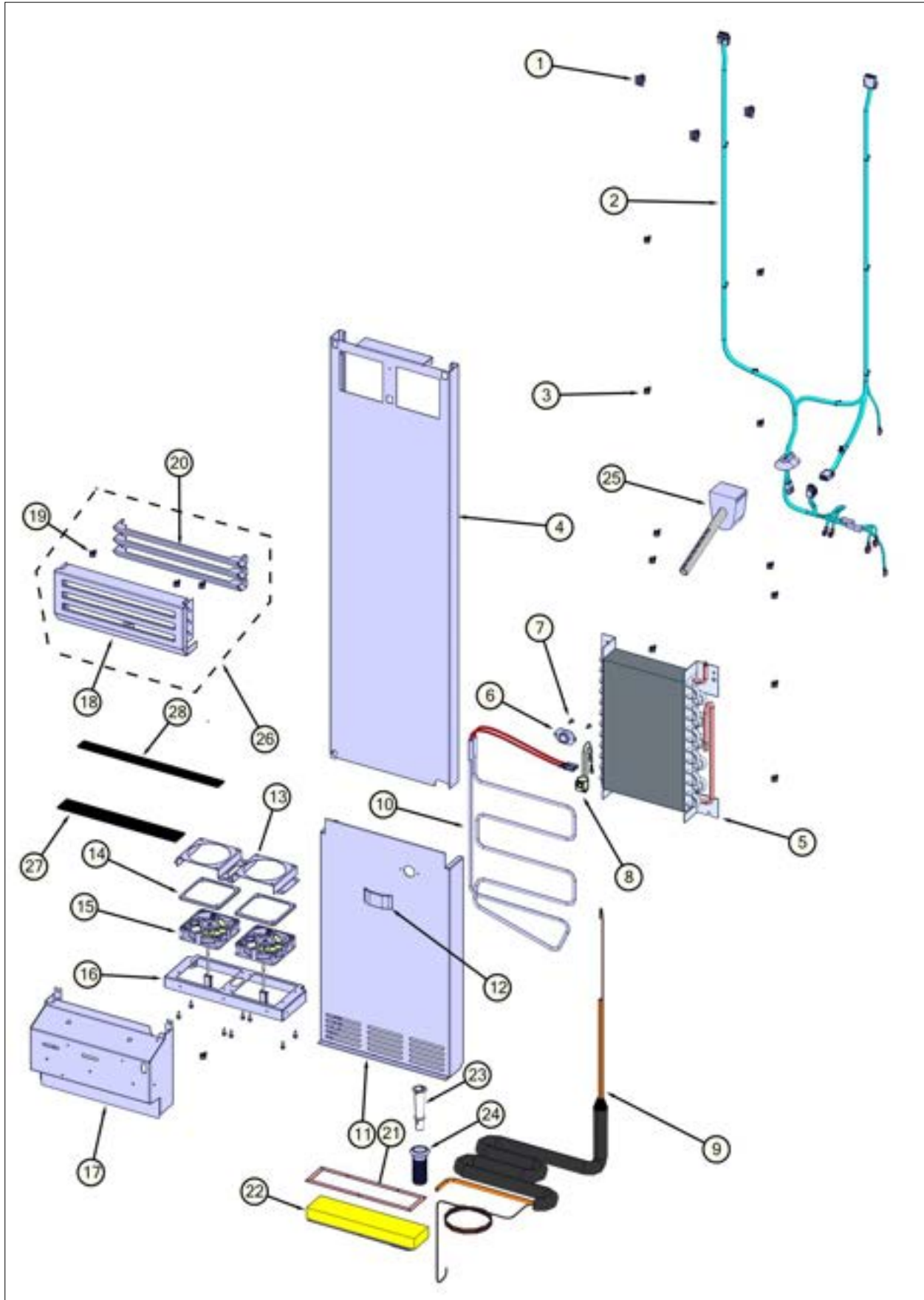
Control View





Item	Part No.	Name	Qty	Uom	NOTES
2	059487-000	USB, PCB, GND, REF 7 SERIES	1	EA	
3	053520-000	ENDCAP, HOUSING, TOP UI, LEFT	1	EA	
4	060287-000	BACK PANEL, TOP UI, 18" 7 SERIES	1	EA	
5	053541-000	ENDCAP, HOUSING, TOP UI, RIGHT	1	EA	
6	042766-000	LED LIGHT, 8-POINT	1	EA	
7	067873-000	BRKT, MOUNT, BREAK OUT, UPPER UI 7 SERIES	0.25	EA	
8	060289-000	BRACKET, HSG, TOP, UI, 18"7 SERIES	1	EA	
9	060286-000	HSG, TOP UI, COLUMN 18, 7 SERIES	1	EA	
10	060754-501	UI, MAIN CONTROL , ASM, 18" AF 7 SERIES	1	EA	

Rear Interior View



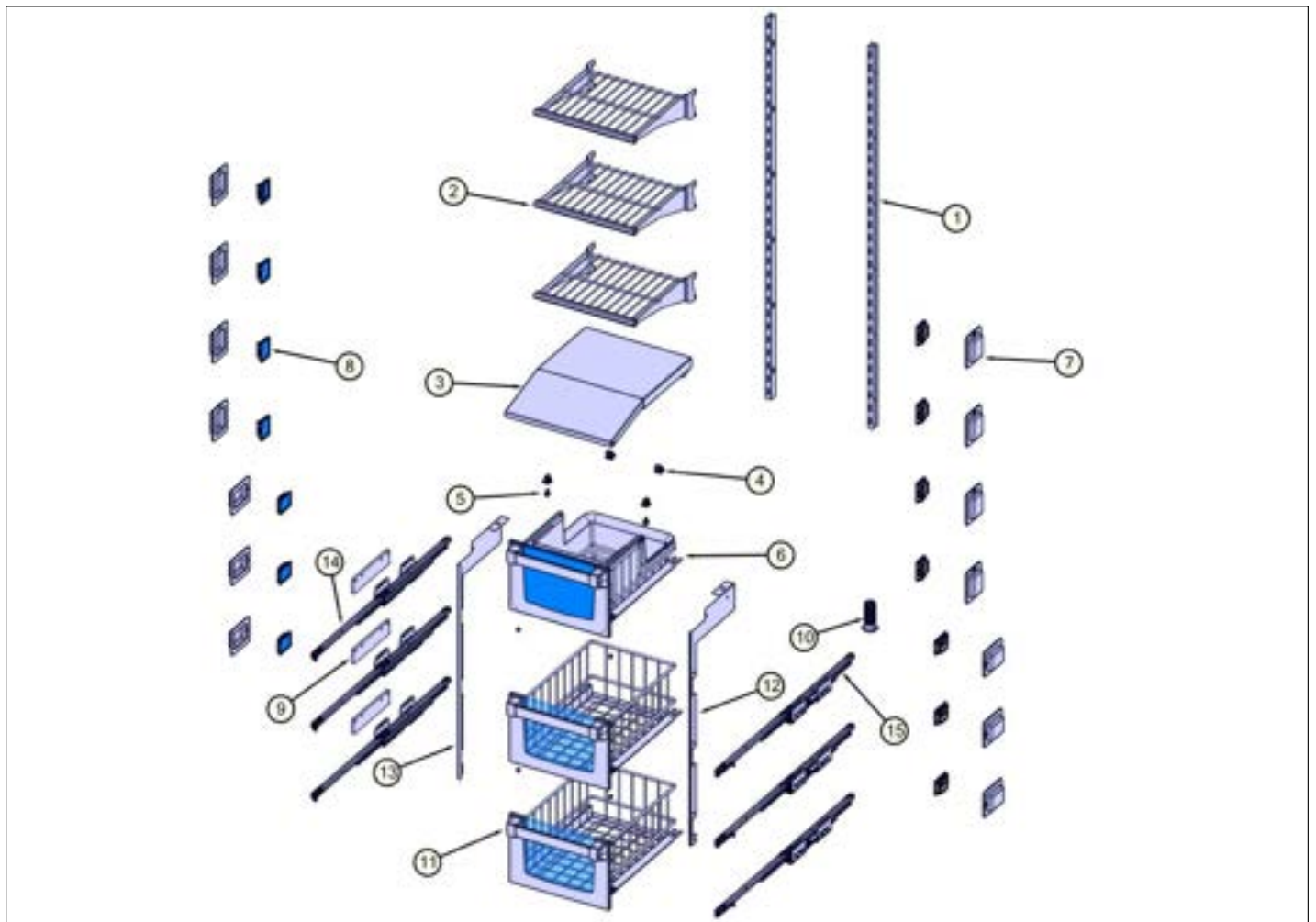


Item	Part No.	Name	Qty	Uom	NOTES
1	PD950013	LATCH PANEL ACCESS	4	EA	
2	066905-000	HARN, VFI7, INNER LINER	1	EA	
3	PD950012	STRIKE PANEL ACCESS	10	EA	
4	060313-000	EVAP, COVER, 18" 7 SERIES	1	EA	
5	072970-000	EVAP, COLUMN 18 AF, 7 SERIES, ECOAT	1	EA	
6	C8983701	THERMISTOR	1	EA	
7	PD920161	SCR 8-16 PLASTITE PNP 3/8 S	2	EA	
8	059650-000	THERMOSTAT, SNAP ACTION, 75 OPEN, 45 CLOSE	1	EA	
9	064753-000	HE TBG ASM, COLUMN, 18 AF 7 SERIES	1	EA	
10	064579-601	HTR, FZ, DFRT, 115V, 18" AF, 7 SERIES	1	EA	
11	060485-000	BOTTOM, EVAP, COVER, 18" 7 SERIES	1	EA	
12	050844-000	COVER, THERMISTOR, FF	1	EA	
13	067029-000	SPRT, FAN, BOX, COLUMN 18 AF 7 SERIES	2	EA	
Not Shown	NOTE	(BEFORE 09/03/2020)		EA	
13	073348-000	BRKT, HARN, GROMMET, TONES, 18/24 AF	2	EA	
Not Shown	NOTE	(ON OR AFTER 09/03/2020)		EA	
14	056228-000	GASKET, MOUNT, FAN, LARGE, AR 36	2	EA	
15	066310-000	FAN, EVAP, FZ, COLUMN 7 SERIES ASSY	2	EA	
16	067018-000	BRKT, SPRT, FAN, COLUMN 18AF 7 SERIES	1	EA	
17	066231-000	SPRT, ICMKR, COLUMN 18" AF 7 SERIES	1	EA	
18	060393-000	FAN, COVER, 18" 7 SERIES	1	EA	
19	PD950012	STRIKE PANEL ACCESS	10	EA	
20	060394-000	LOUVER, FAN, COVER, 18" 7 SERIES	3	EA	
21	060575-000	GASKET, SUMP, 18" AF 7 SERIES	1	EA	
22	061716-000	SUMP, INSR, 18" AF 7 SERIES	1	EA	



Item	Part No.	Name	Qty	Uom	NOTES
23	060576-000	STANDOFF, SUMP, COLUMN 7 SERIES	1	EA	
24	064984-000	HEAT EXCHANGER PASS THROUGH	1	EA	
25	061278-000	CABINET, PREFOAM COMPONENTS, COLUMNS, AF 7 SERIES	1	EA	
26	060395-000	FAN, COVER, ASM, 18" 7 SERIES	1	EA	
27	068296-000	FOAM, BLACK, 1.5" X 10.941" X .125"	1	EA	
28	068300-000	FOAM, BLACK, 1" x 13" x .125"	1	EA	
NI	068304-000	FOAM, BLACK, 16" X 10" X .125"	1	EA	

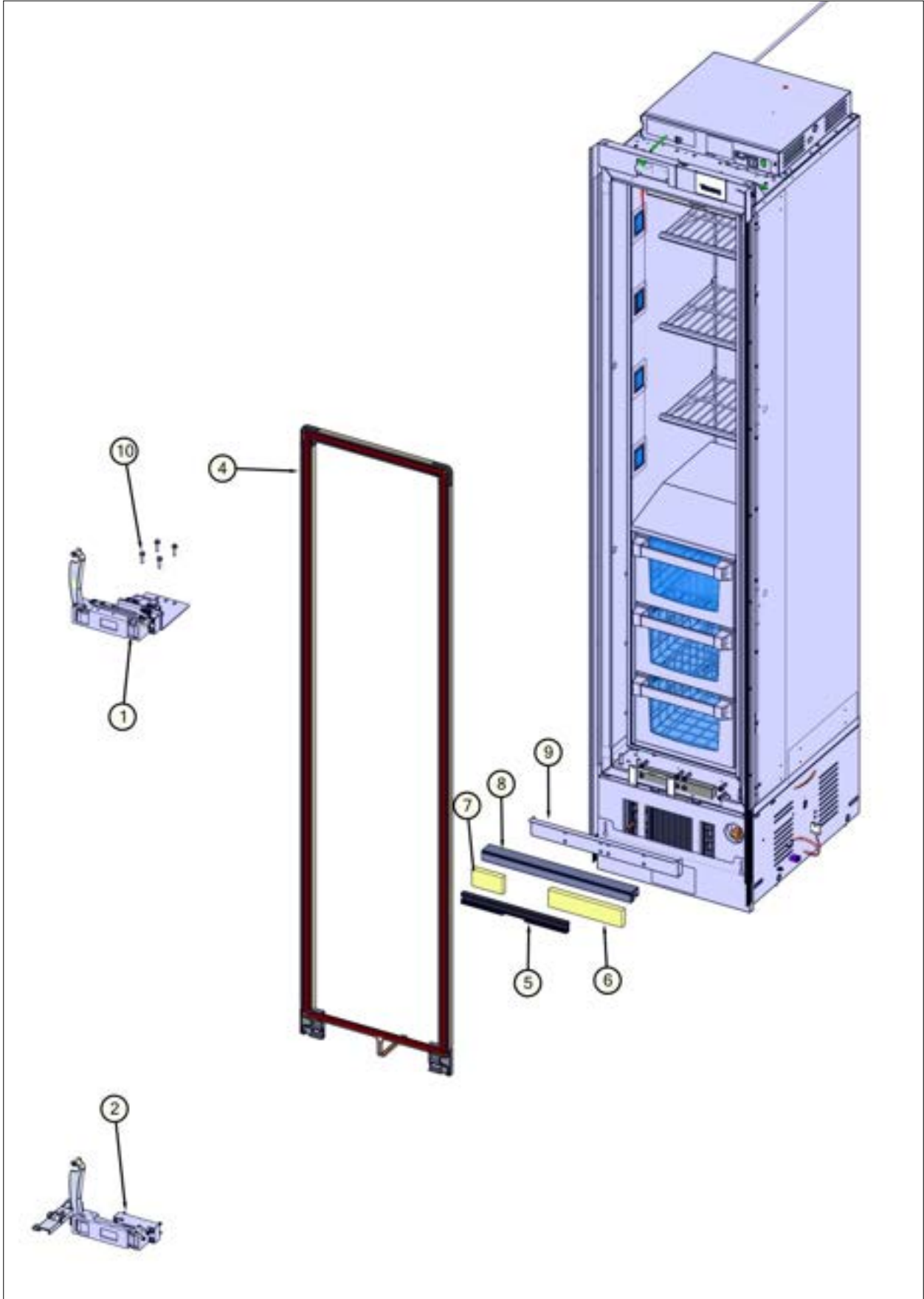
Interior Shelving View





Item	Part No.	Name	Qty	Uom	NOTES
1	071771-006	LADDER, COLUMN, 7 SERIES	2	EA	
NI	013397-000	1" PAINTED LADDER SCREW	12	EA	
2	060686-000	SHELF, WIRE, ASM, 18" AF 7 SERIES	3	EA	
3	064312-006	COVER, ICE MAKER, 18" AF COLUMN 7 SERIES	1	EA	
4	PD950013	LATCH PANEL ACCESS	4	EA	
5	PD950012	STRIKE PANEL ACCESS	4	EA	
6	064308-000	DWR, IM, ASM, 18" AF 7 SERIES	1	EA	
7	046358-000	LED CUP ASSY (3) (NON-SERVICEABLE PART)	14	EA	
8	042764-000	LED LIGHT, 3-POINT	14	EA	
9	067299-000	SPACER, SLIDE, CRISPER, SD, HINGE	3	EA	
10	064984-000	HEAT EXCHANGER PASS THROUGH	1	EA	
11	060280-000	DWR, ASM, COLUMN 18" AF 7 SERIES	2	EA	
12	069586-006	BRKT, EXTND, IM COVER, HDL SIDE, LH, AF COLUMN 7 SERIES	1	EA	
NI	M0210458	SCR 8-18 X 5/8 WAFER PH SMS	6	EA	
13	069584-006	BRLT, EXTND, IM COVER, HNG SIDE, LH, AF COLUMN 7 SERIES	1	EA	
NI	M0210458	SCR 8-18 X 5/8 WAFER PH SMS	6	EA	
14	072399-000	SLIDE DWR, FZ/RF, LH	3	EA	
NI	058753-000	FASTENER, SCR, B, BTNH, SKHD, SST, 1/4-20, 5/8	12	EA	
15	072400-000	SLIDE DWR, FZ/RF, RH	3	EA	
NI	058753-000	FASTENER, SCR, B, BTNH, SKHD, SST, 1/4-20, 5/8	12	EA	

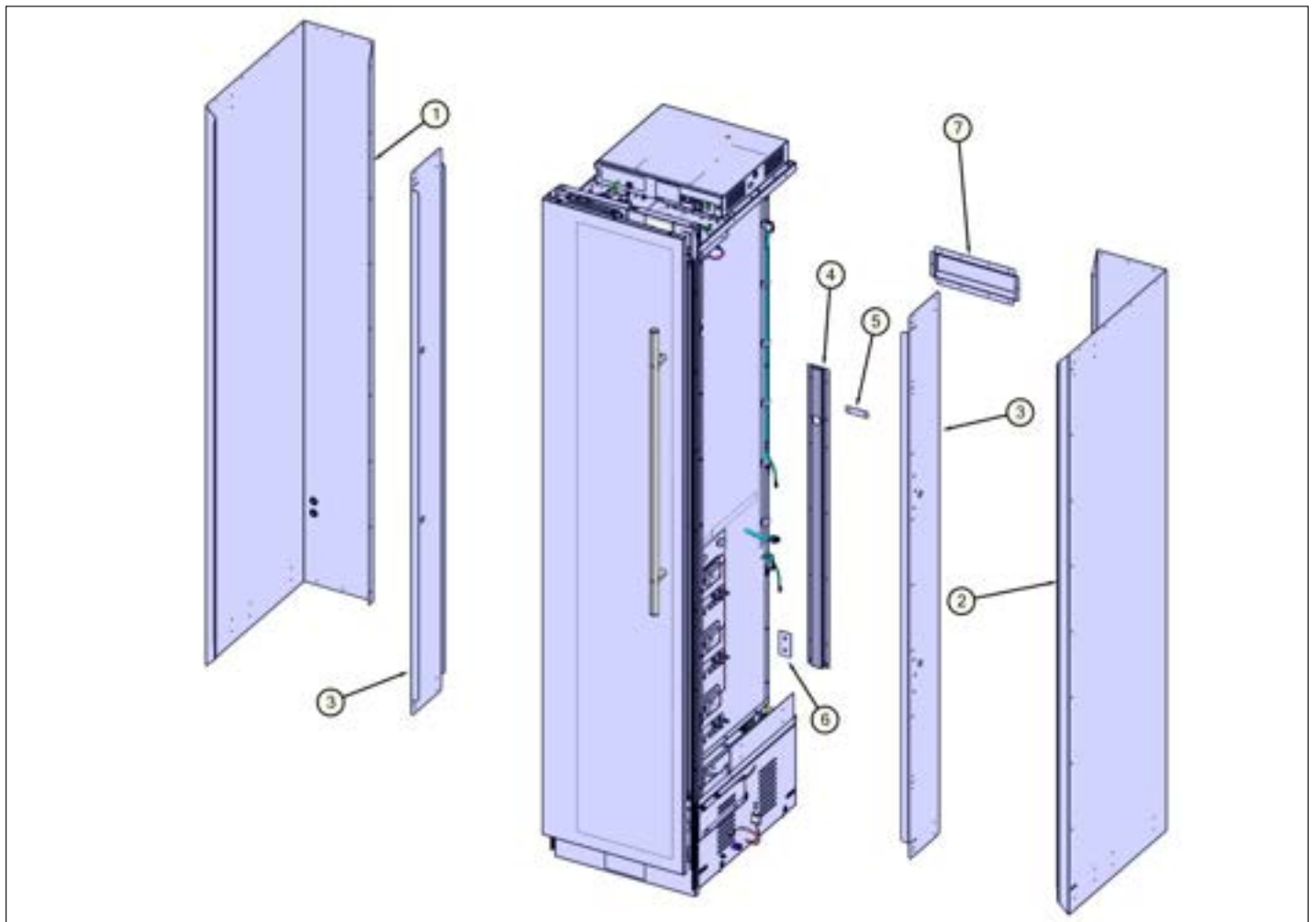
Front Cab View





Item	Part No.	Name	Qty	Uom	NOTES
1	062071-000	TOP HINGE, LH, ASM, BM 7 SERIES	1	EA	
2	062072-000	BOTTOM, HINGE, LH, ASM, BM 7 SERIES	1	EA	
4	066593-000	MAG & EXTRN, LH, ASSY, COLUMN 18 AF 7 SERIES	1	EA	
5	060056-000	MAGNET, EXTRUSION, BTM, 18"	1	EA	
6	061223-000	INSULATION, FOAM, BOTTOM HINGE, COLUMN, 18" AF 7 SERIES	1	EA	
7	061231-000	INSULATION, FOAM, HINGE SIDE, COLUMN, 18" AF 7 SERIES	1	EA	
8	060062-000	BTM, SUPPORT, EXTRUSION, 18"	1	EA	
9	060055-000	MULLION, BTM, HINGE, 18"	1	EA	
10	000570-000	FASTENER, BOLT, 1/4-20 IHXWS 1" S ZN SER	14	EA	

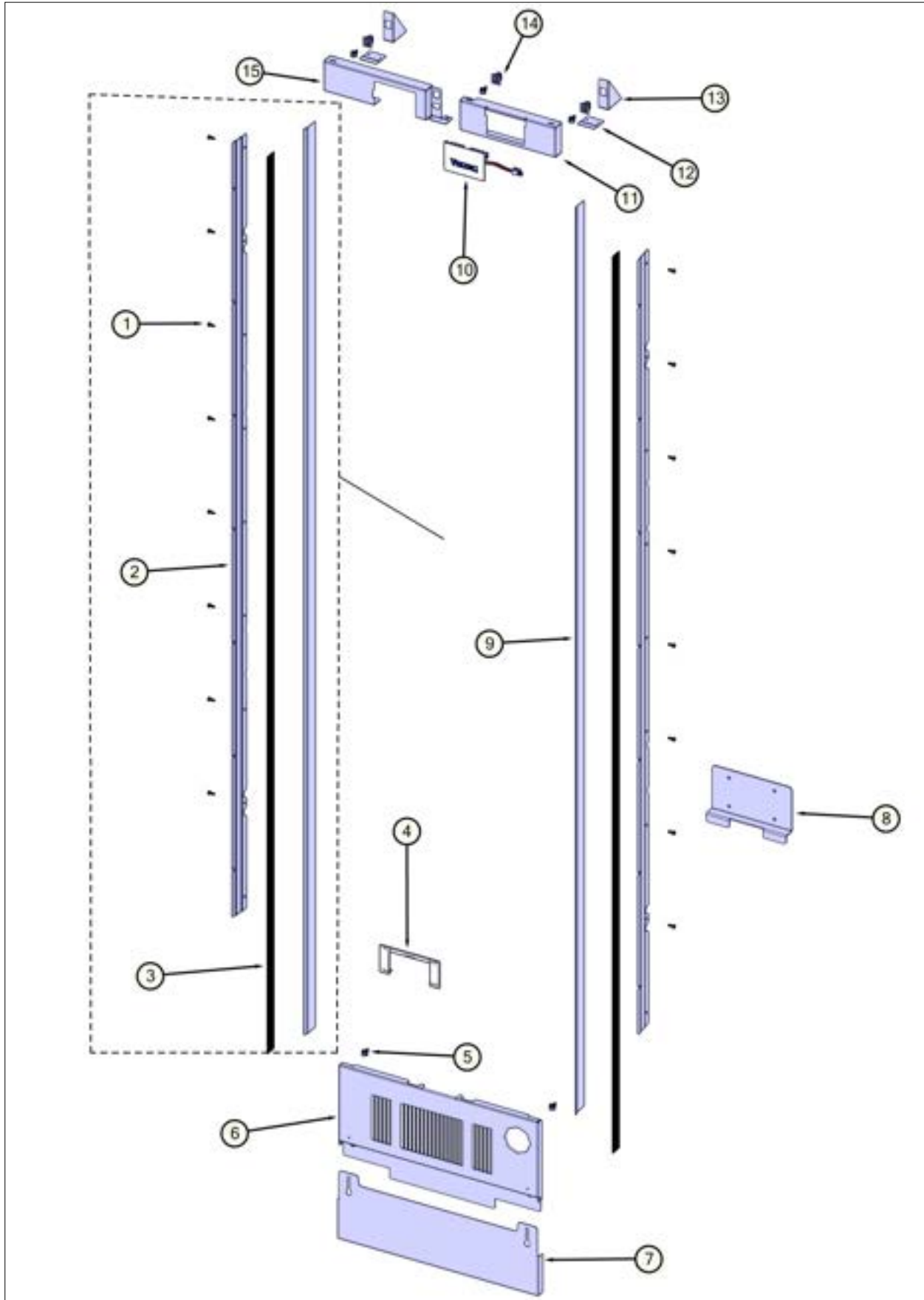
Exterior View





Item	Part No.	Name	Qty	Uom	NOTES
1	072975-000	OUTER, CAB, LEFT, 7 SERIES	1	EA	
2	072976-000	OUTER, CAB, RIGHT, 7 SERIES	1	EA	
3	052810-000	BRACKET, WRPR, SIDE	2	EA	
4	060579-000	CHANNEL, WTR LINE, 18" AF 7 SERIES	1	EA	
5	066168-000	BRKT, FILL TUBE, COLUMNS 7 SERIES	1	EA	
6	067289-000	BKT, RIVNUT, KIT, CONNECTING, 7 SERIES	2	EA	
7	067023-000	LNR, OFS, FAN, COLUMN 18AF 7 SERIES	1	EA	
NI	073127-000	OUTER, CAB, BACK, COLUMN 18" 7 SERIES	1	EA	
NI	055111-000	INSULATION, PNL, VACUUM, FZ DOOR, SXS, 31.89 X 10.04 X 47	2	EA	
NI	000570-000	FASTENER, BOLT, 1/4-20 IHXWS 1" S ZN SER	14	EA	

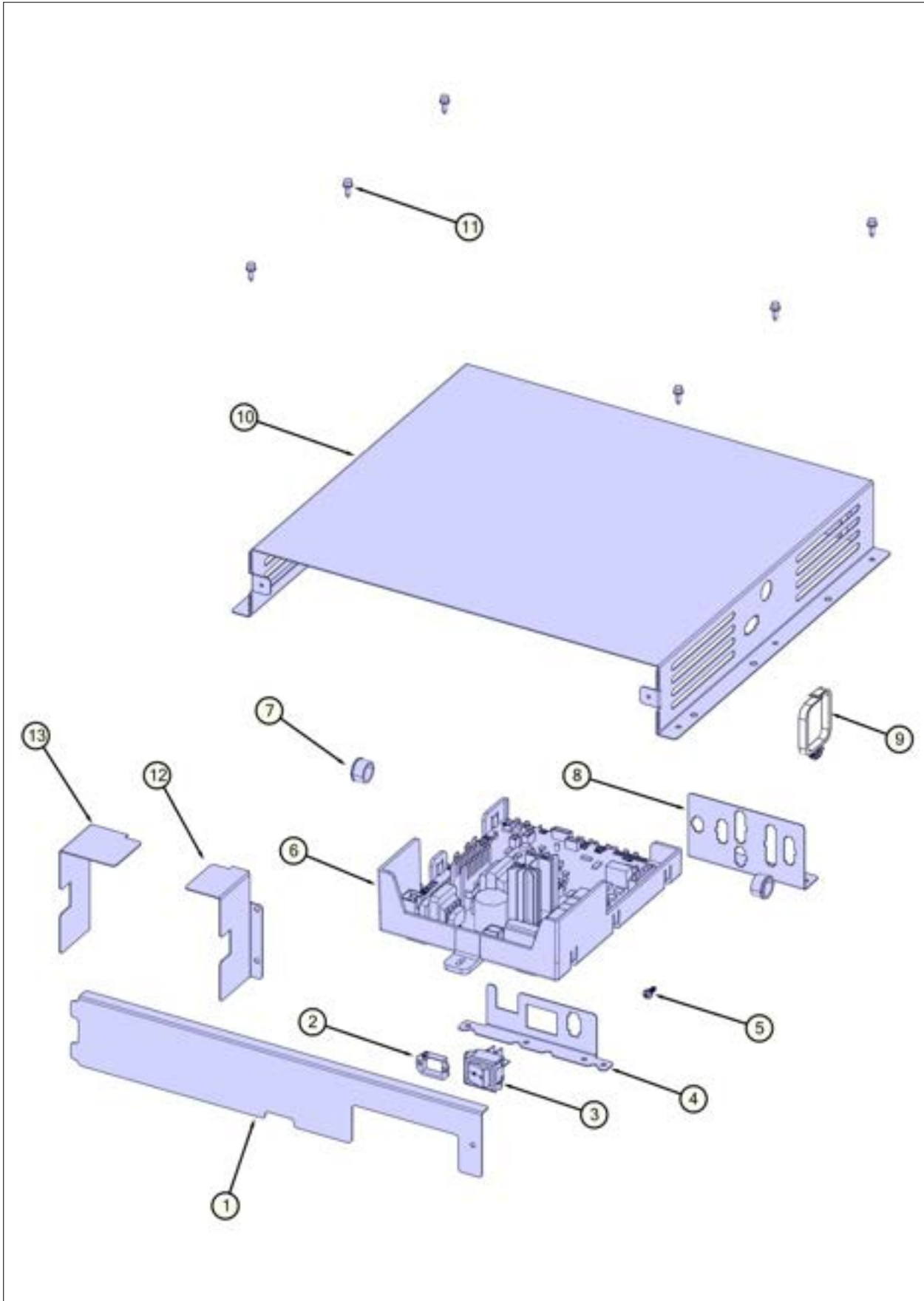
Decor View





Item	Part No.	Name	Qty	Uom	NOTES
1	062978-000	FASTENER, SCR, 8-15 X 1/2 TORX ROUND HEAD ZPS	16	EA	
Not Shown	NOTE	(ORDER ITEM 16)		EA	
2	073023-000	BKT, TRIM, MAGNET, 7 SERIES	1	EA	
Not Shown	NOTE	(ORDER ITEM 16)		EA	
3	068842-000	MAGNET, TRIM, 7 SERIES	1	EA	
Not Shown	NOTE	(ORDER ITEM 16)		EA	
4	067578-000	CVR, HNG, BOT, COLUMNS, ASSY 7 SERIES	1	EA	
5	PD950012	STRIKE PANEL ACCESS	3	EA	
6	069646-000	ACS PNL ,MC, COLUMN 18 AF 7 SERIES	1	EA	
7	061312-000	KICKPLATE, COLUMN, 18" AF 7 SERIES	1	EA	
8	061317-000	BRACKET, ANTI-TOP, COLUMN, 18" AF 7 SERIES	1	EA	
9	067217-000	TRIM, FINISH, SIDE, MAGNET	1	EA	
Not Shown	NOTE	(ORDER ITEM 16)		EA	
10	070306-603	LIGHT, LOGO, ASM, 7 SERIES-WHITE W/HARNESS	1	EA	
11	066103-000	TRIM, TOP, LOGO SIDE, LH, 18 COLUMN 7 SERIES	1	EA	
12	059043-000	BRACKET, TOP, FRONT TRIM, BM 7 SERIES	1	EA	
13	058677-000	BRACKET, SNAP FEAT, TOP TRIM, RH, BM 7 SERIES	2	EA	
14	PD950013	LATCH PANEL ACCESS	3	EA	
15	062845-000	TOP TRIM, HINGE, SIDE, LH 36 BM 7 SERIES	1	EA	
16	068995-000	TRIM, SIDE, ASM, BM 7 SERIES	2	EA	

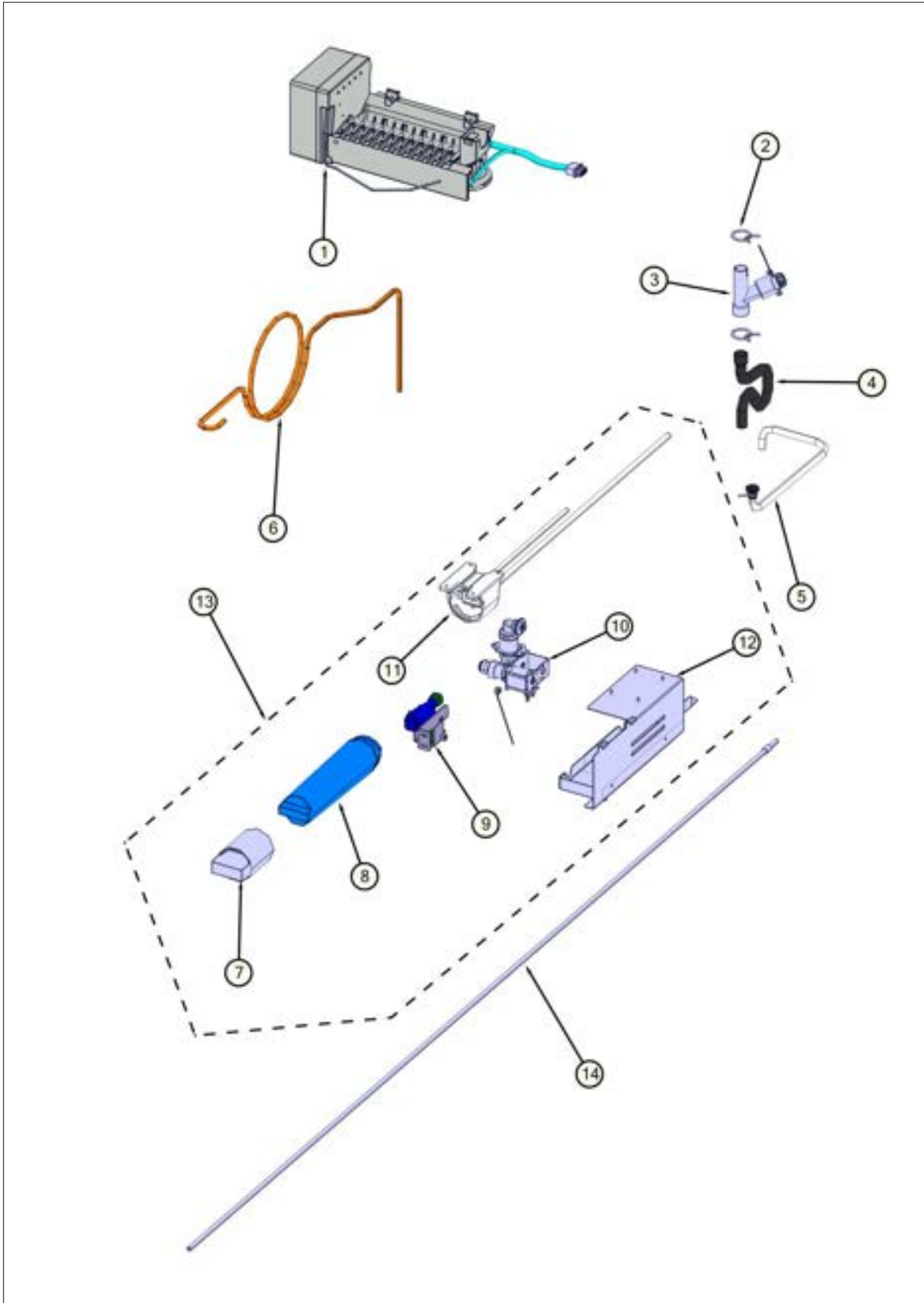
Top View





Item	Part No.	Name	Qty	Uom	NOTES
1	072951-000	COVER, FR, CTRL, BD 7 SERIES	1	EA	
2	059774-000	SADDLE, EDGE, LOCKING	1	EA	
3	PE950149	SWITCH POWER	1	EA	
4	063683-000	BRKT, ON/OFF SW, COLUMN 7 SERIES	1	EA	
5	062978-000	FASTENER, SCR, 8-15 X 1/2 TORX ROUND HEAD ZPS	1	EA	
6	070487-000	7 SERIES COLUMN BOARD KIT	1	EA	
7	A4554806	BUSHING-SNAP VA4554806	2	EA	
8	063501-000	BRKT, PNL, MT, CON, COLUMN 7 SERIES	1	EA	
9	061164-000	SADDLE, LARGE	1	EA	
10	063608-000	COVER, TOP, COLUMN 7 SERIES	1	EA	
11	PD020194	SCR, HEX SRTD WSHR HD, #8-18 X 1/2	6	EA	
12	069491-000	BRKT, DIVERTER, AIR, LH, 18" AF 7 SERIES	1	EA	
13	069493-000	BRKT, DIVERTER, AIR, RH, 18" AF 7 SERIES	1	EA	
NI	069620-000	BUSHING, SNAP, U-TYPE, .900"	1	EA	

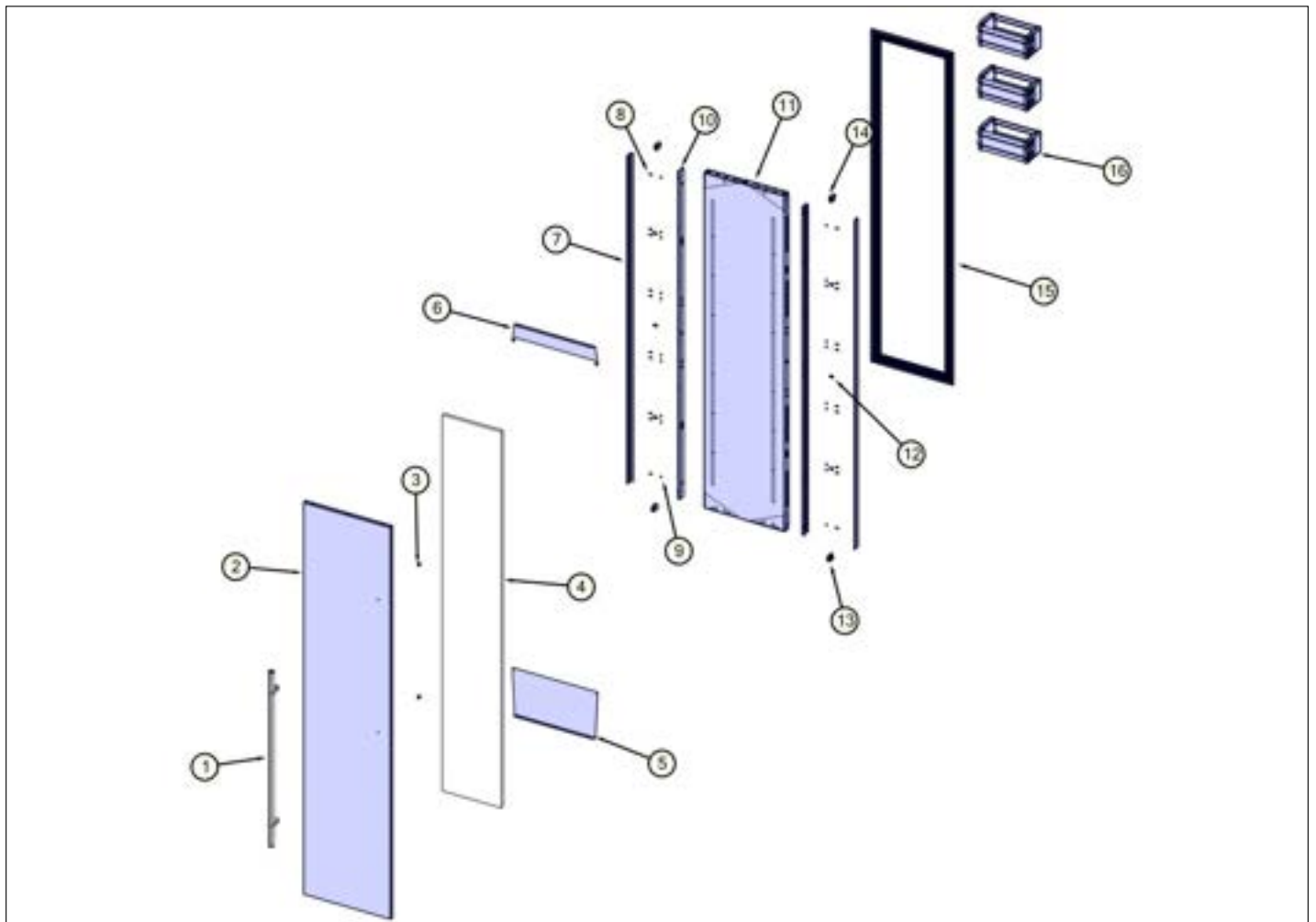
Water System View





Item	Part No.	Name	Qty	Uom	NOTES
1	060989-000	ICEMAKER, ASM, AF COLUMN 7 SERIES	1	EA	
2	071615-000	CLAMP, TNSN, 7/8" PTRAP	2	EA	
3	068113-000	VALVE, CHECK, DRAIN, ASM	1	EA	
4	069160-000	TUBE, P-TRAP, DRAIN, VENT, COLUMNS 7 SERIES	1	EA	
5	063841-000	DRAIN, WATER FILTER PAN ASSY, 24 COLIMN 7 SERIES	1	EA	
6	061400-000	WATER LINE, INLET, 7 SERIES	1	EA	
7	064978-000	TOOL, WATER FILTER, 7 SERIES	1	EA	
8	057498-000	FILTER, CARTRIDGE, WATER, BM 7 SERIES	1	EA	
9	PA070016	VALVE WATER SINGLE DISP, FAMILY	1	EA	
10	066798-601	VALVE, ICEMAKER, 110/120VAC 18", 24" FZ COLUMN	1	EA	
11	058451-000	MANIFOLD, WATER FILTER	1	EA	
12	072885-000	BRACKET, FILTER, WATER, UNION	1	EA	
13	063729-000	FILTER & VALVE ASSY, COLUMNS 7 SERIES	1	EA	
14	066390-000	WL ASSY, ICE MKR, COLUMN 18 7 SERIES	1	EA	
15	074009-000	BRACKET, NUT, WATER VALVE	1	EA	
NI	PD020194	SCR, HEX SRTD WSHR HD, #8- 18 X 1/2	6	EA	

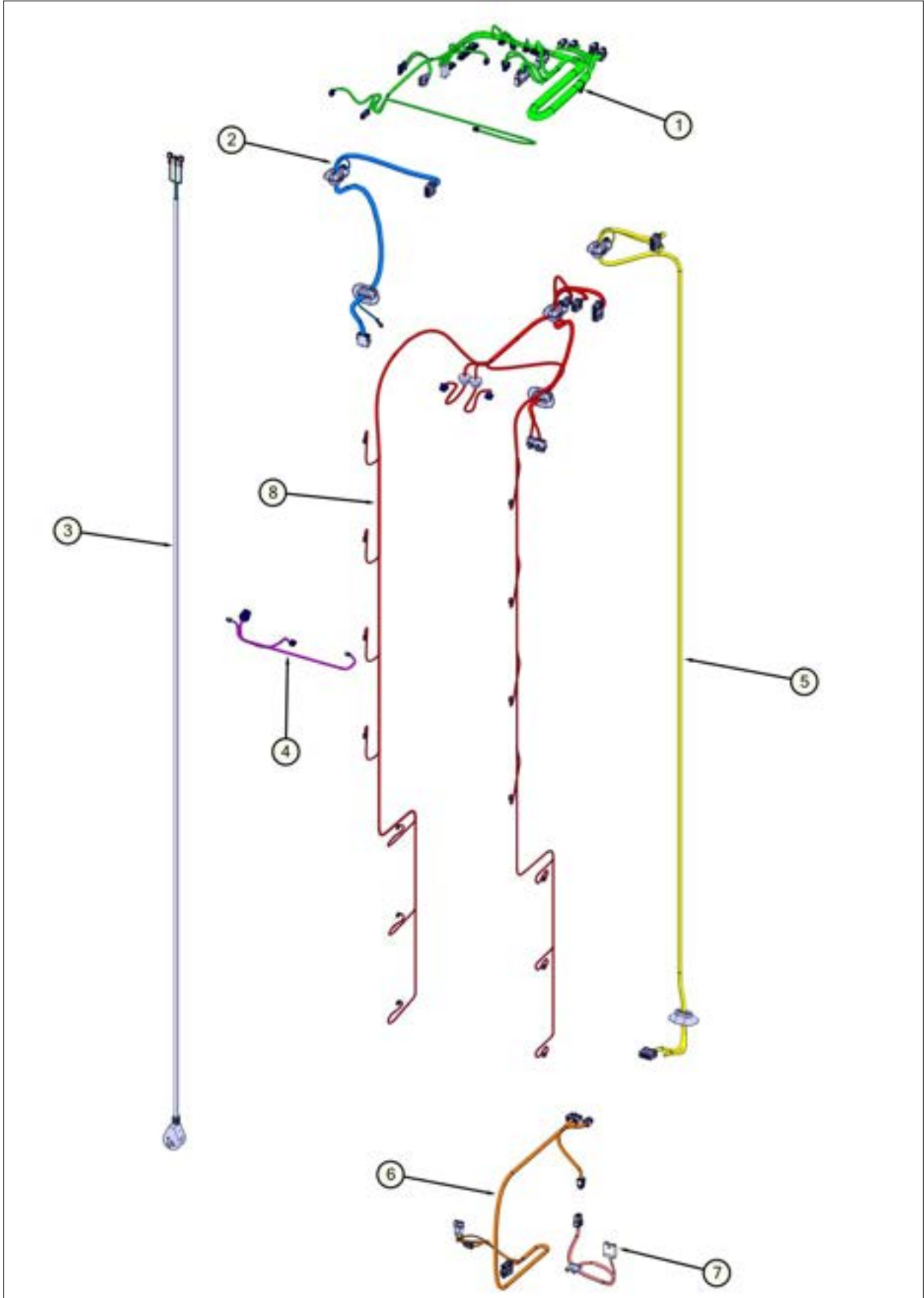
Door View





Item	Part No.	Name	Qty	Uom	NOTES
1	061701-000	HANDLE, 7 SERIES, BM FF ASSY	1	EA	
2	071465-000	SKIN, DOOR, SST, L, VIRTUOSO COLUMN 18" AF 7 SERIES	1	EA	
3	035647-000	BOLT, FASTENER, HXH, SST	2	EA	
4	061316-000	INSULATION, DOOR SKIN, 18" AF, STYROFOAM, 7 SERIES	1	EA	
5	065007-000	COVER, FNISH, BOT, DOOR, COLUMN 18 7 SERIES	1	EA	
6	065004-000	COVER, FNISH, TOP, DOOR, COLUMN 18 7 SERIES	1	EA	
7	061295-000	COVER, CHNL, TRIM, DOOR, COLUMNS 7 SERIES	2	EA	
8	062978-000	FASTENER, SCR, 8-15 X 1/2 TORX ROUND HEAD ZPS	20	EA	
9	058854-000	WASHER, DOORS, CHANNELS, BM 7 SERIES	20	EA	
10	061294-000	C CHANNEL, EXTR, DOOR, L, COLUMNS 7 SERIES	1	EA	
11	066595-000	DOOR, FOAMED, LH, COLUMN 18 AF 7 SERIES	1	EA	
12	054858-000	ECCENTRIC, SPACER, SCREW, ASSEMBLY	6	EA	
13	062095-000	CAP, END, DOOR TRIM	2	EA	
14	062115-000	CAP, END, DOOR TRIM, RH	2	EA	
15	061696-000	GSKT, DOOR, ASSY, 18 COLUMN, 7 SERIES	1	EA	
16	061013-000	DOOR, BIN, ASM, 18" 7 SERIES	1	EA	

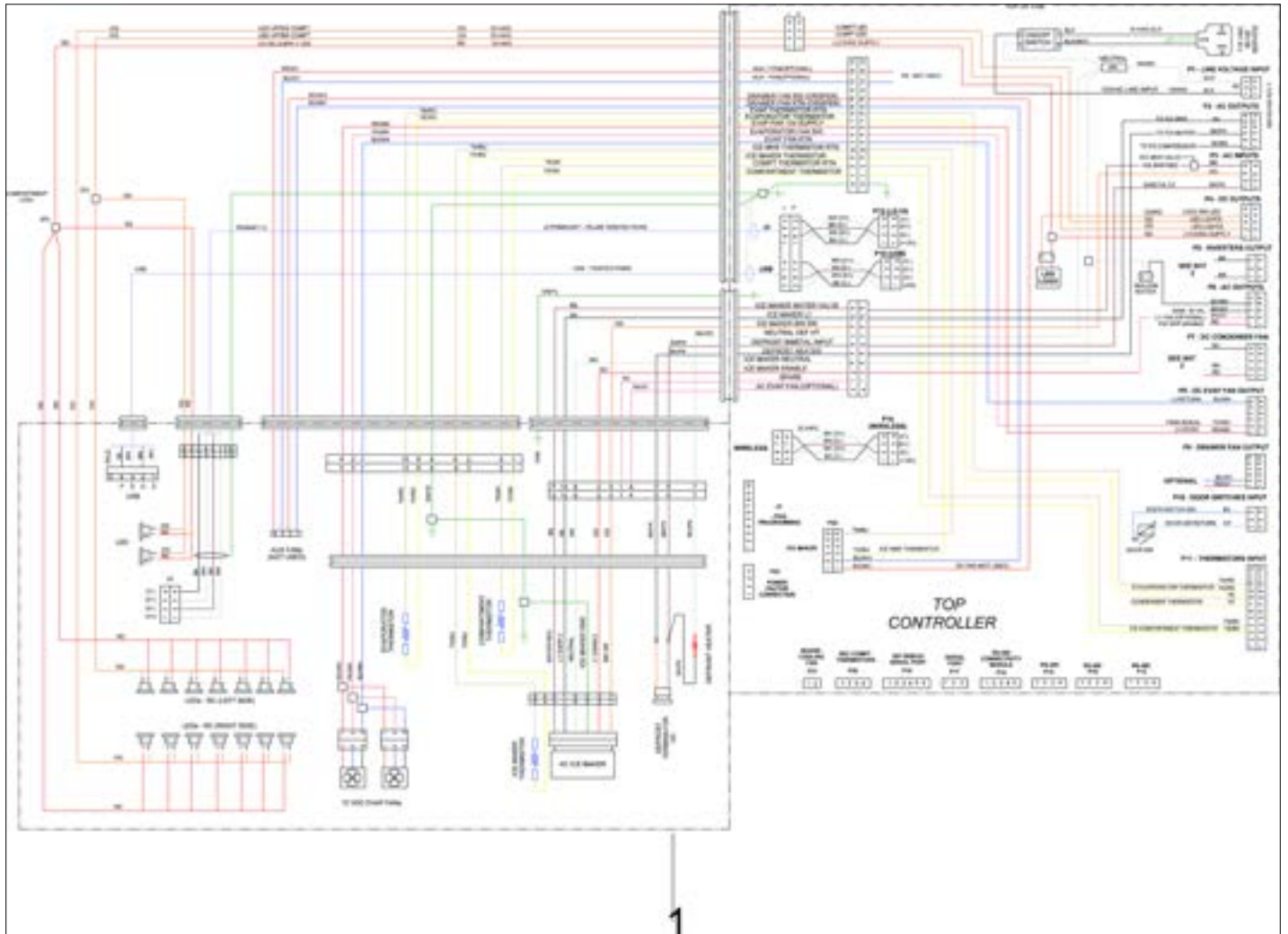
Wiring View





Item	Part No.	Name	Qty	Uom	NOTES
1	063611-000	HARN, VRI7, CONTROL, (AF)	1	EA	
2	063380-000	HARN, VRI718/240, AC (AF)	1	EA	
3	059105-000	CORD, PWR, BM, LEAD TERMINALS	1	EA	
4	063343-000	HARN, CO, UI (AR/AF)	1	EA	
5	063717-000	HARN, CO, CONTROL, TO MC (AR/AF)	1	EA	
6	065207-000	HARN, VFI7240, MACHINE	1	EA	
7	064628-000	HARN, VFI7, WATER VALVES	1	EA	
8	063379-000	HARN, VFI718/240 DC (AF)	1	EA	

Wiring Diagram





Item	Part No.	Name	Qty	Uom	NOTES
1	062102-000	DIAG, W, VFI7240/7180	1	EA	



Appendix A:Pages Index

Bottom View 1
Control View 2
Decor View 7
Door View 10
Exterior View 6
Front Cab View 5
Interior Shelving View 4
Rear Interior View 3
Top View 8
Water System View 9
Wiring Diagram 12
Wiring View 11



Appendix B:Parts Index

000570-000	5, 6	060393-000	3
013397-000	4	060394-000	3
030926-000	1	060395-000	3
035647-000	10	060485-000	3
042764-000	4	060575-000	3
042766-000	2	060576-000	3
046358-000	4	060579-000	6
050844-000	3	060686-000	4
052810-000	6	060754-501	2
053520-000	2	060989-000	9
053541-000	2	061013-000	10
053739-000	1	061164-000	8
054858-000	10	061223-000	5
054917-601	1	061231-000	5
055051-000	1	061278-000	3
055111-000	6	061294-000	10
056228-000	3	061295-000	10
057498-000	9	061312-000	7
058451-000	9	061316-000	10
058535-000	1	061317-000	7
058677-000	7	061400-000	9
058753-000	4, 4	061696-000	10
058854-000	10	061701-000	10
059043-000	7	061716-000	3
059105-000	11	062071-000	5
059487-000	2	062072-000	5
059650-000	3	062095-000	10
059774-000	8	062102-000	12
060055-000	5	062115-000	10
060056-000	5	062226-000	1
060062-000	5	062230-000	1
060129-000	1	062775-000	1
060272-000	1	062845-000	7
060273-000	1	062978-000	7, 8, 10
060276-000	1	063343-000	11
060280-000	4	063379-000	11
060286-000	2	063380-000	11
060287-000	2	063501-000	8
060289-000	2	063608-000	8
060313-000	3	063611-000	11
		063683-000	8



063717-000	11	067578-000	7
063729-000	9	067873-000	2
063841-000	9	068113-000	9
063926-000	1	068296-000	3
064288-000	1	068300-000	3
064308-000	4	068304-000	3
064312-006	4	068507-000	1
064382-000	1	068842-000	7
064579-601	3	068933-000	1
064628-000	11	068995-000	7
064750-000	1	069160-000	9
064753-000	3	069491-000	8
064825-000	1	069493-000	8
064869-000	1	069584-006	4
064978-000	9	069586-006	4
064984-000	3, 4	069620-000	8
065004-000	10	069646-000	7
065007-000	10	070306-603	7
065207-000	11	070487-000	8
066103-000	7	071465-000	10
066115-000	1	071615-000	9
066168-000	6	071771-006	4
066231-000	3	072399-000	4
066310-000	3	072400-000	4
066390-000	9	072885-000	9
066593-000	5	072951-000	8
066595-000	10	072970-000	3
066702-000	1	072975-000	6
066705-000	1	072976-000	6
066798-601	9	073023-000	7
066905-000	3	073127-000	6
066988-000	1	073348-000	3
066989-000	1	074009-000	9
067018-000	3	10547001	1
067023-000	6	A4554806	8
067029-000	3	C8983701	3
067036-000	1	M0104102	1
067037-000	1	M0210458	4, 4
067217-000	7	M0221523	1
067289-000	6	PA070016	9
067299-000	4	PD020194	1, 8, 9



PD920161 3
PD950012 3, 3, 4, 7
PD950013 3, 4, 7
PE950149 8