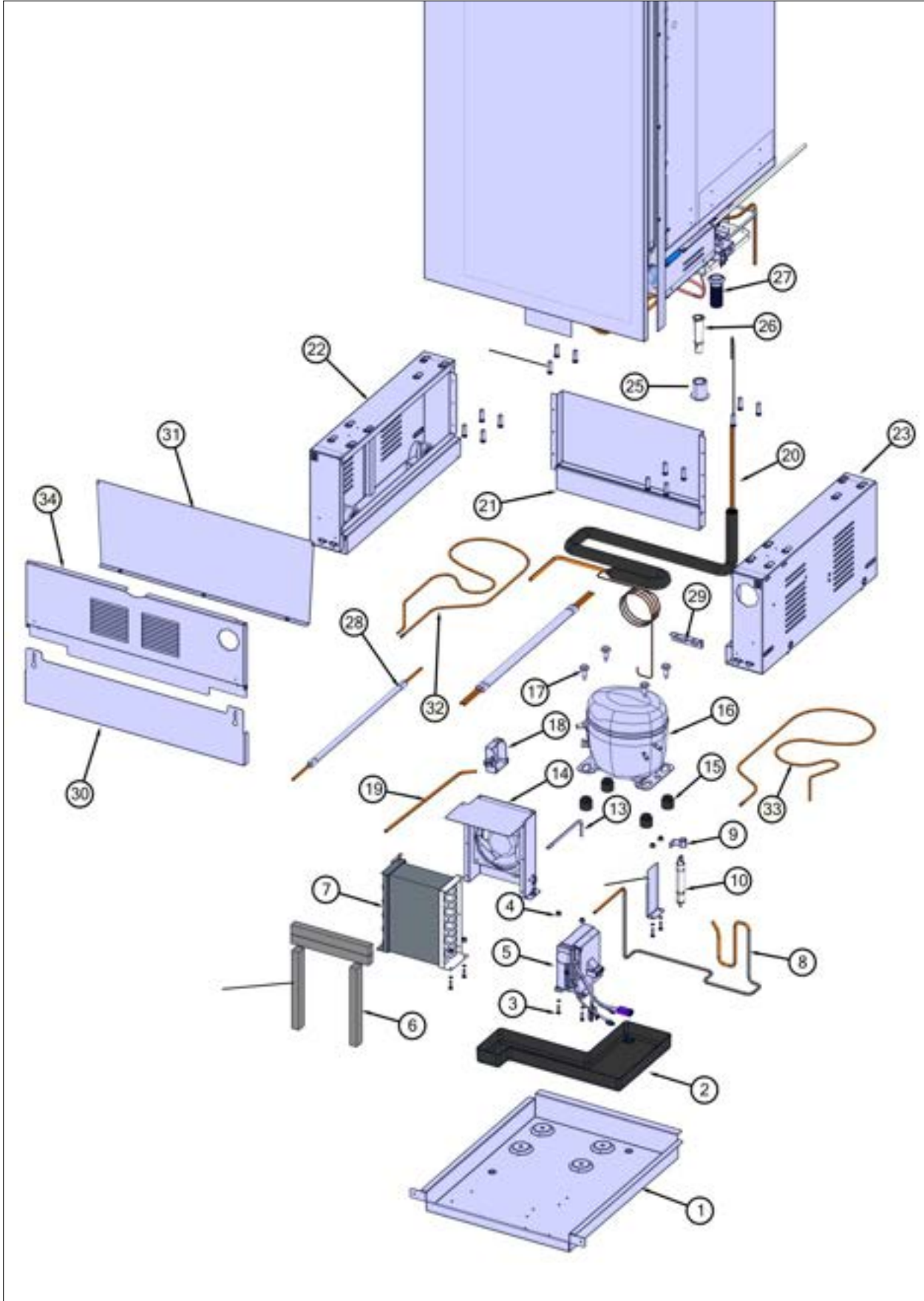


**MVFI7240WLSS**

Bottom View .....	1
Control View .....	2
Door View .....	3
Interior Rear View .....	4
Interior Shelving View .....	5
Hinge View .....	6
Water System View .....	7
Wiring View .....	8
Appendix A:Pages Index .....	A
Appendix B:Parts Index .....	B

Bottom View



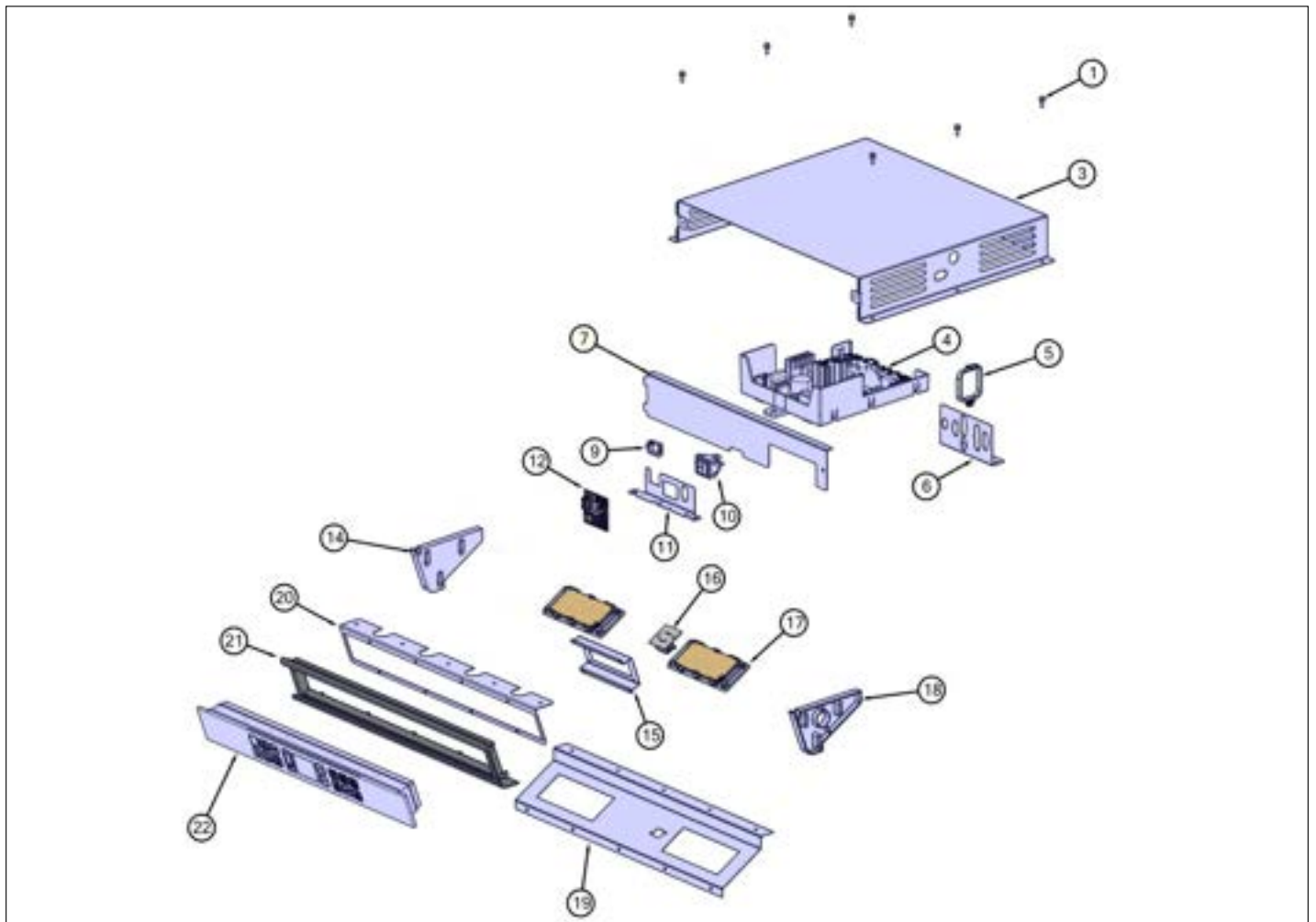


Item	Part No.	Name	Qty	Uom	NOTES
1	060358-000	MOBILITY TRAY, MC, COLUMN 24" 7 SERIES	1	EA	
2	063742-000	PAN, MC, DRAIN, 24" COLUMN 7 SERIES	1	EA	
3	055051-000	STUD, #10-32, 5/8, MC, MOBILITY, TRAY, BM 7 SERIES	8	EA	
4	055054-000	STUD, NUT, #10-32, MC, BM 7 SERIES	8	EA	
5	054917-601	INVERTER, CMPR, FREEZER, 7 SERIES BM/COLUMNS	1	EA	
6	062230-000	CONDENSER FOAM, COLUMN 7 SERIES	3	EA	
7	062226-000	CONDENSER, 7 SERIES COLUMNS	1	EA	
8	064148-000	COMPR, COND, LINE, 24 AF 7 SERIES	1	EA	
9	10547001	CLIP-DRIER V10547001	1	EA	
10	030926-000	DRIER - HIGH SIDE	1	EA	
11	063926-000	BRKT, DRYER, COLUMN 7 SERIES	1	EA	
13	F2097740	TUBE PROCESS	1	EA	
14	064382-000	CNDR FAN, SPRT, ASM, COLUMN 18/24 7 SERIES	1	EA	
15	053739-000	GROMMET, CMPR, BM 7 SERIES	4	EA	
16	062775-000	VEGD 8H COMPRESSOR	1	EA	
17	M0221523	SCREW - SHLDR	4	EA	
18	060129-000	COMPRESSOR, CVR, 7 SERIES	1	EA	
19	066980-000	TUBE, PROCESS, LOW SIDE, AF 24" 7 SERIES	1	EA	
20	061705-000	24 AF HEAT EXCHANGER	1	EA	
21	060353-000	MC, REAR PANEL, ASM, 24" 7 SERIES	1	EA	
22	066705-000	HSG, L, MC, ASSY, 7 SERIES	1	EA	
23	066702-000	HSG, R, MC ASSY, 7 SERIES	1	EA	
24	052986-000	RIVET, NUT, CABINET, 1/4-20, BM, 7 SERIES	22	EA	
25	PK930321	TUNNEL AIR AF AR 30 36	1	EA	
26	060576-000	STANDOFF, SUMP, COLUMN 7 SERIES	1	EA	



Item	Part No.	Name	Qty	Uom	NOTES
27	064984-000	HEAT EXCHANGER PASS THROUGH	1	EA	
28	066115-000	FLEX LINE, 24" 7 SERIES	3	EA	
29	064288-000	BRKT, CONN, MC, COLUMN 7 SERIES	1	EA	
30	061345-000	KICKPLATE, COLUMNS 24" 7 SERIES	1	EA	
NI	PD020032	SRW-8(A)X3/8"PH.WFR HD 7/16DIA*NICL	2	EA	
31	063365-000	COVER, FNSH, BOT, DOOR, COLUMN 24 7 SERIES	1	EA	
32	067037-000	LOOP, OMEGA, HOT LOOP, OUTLET, AF 24	1	EA	
33	067036-000	LOOP, OMEGA, HOT LOOP, EXIT, AF 24	1	EA	
34	069643-000	ACS PNL, MC, COLUMN 24 7 SERIES	1	EA	
35	068507-000	FOAM, BAF, KPL, CNDR, COLUMN 7 SERIES	1	EA	
NI	M0104102	CLIP-CORD RED	1	EA	

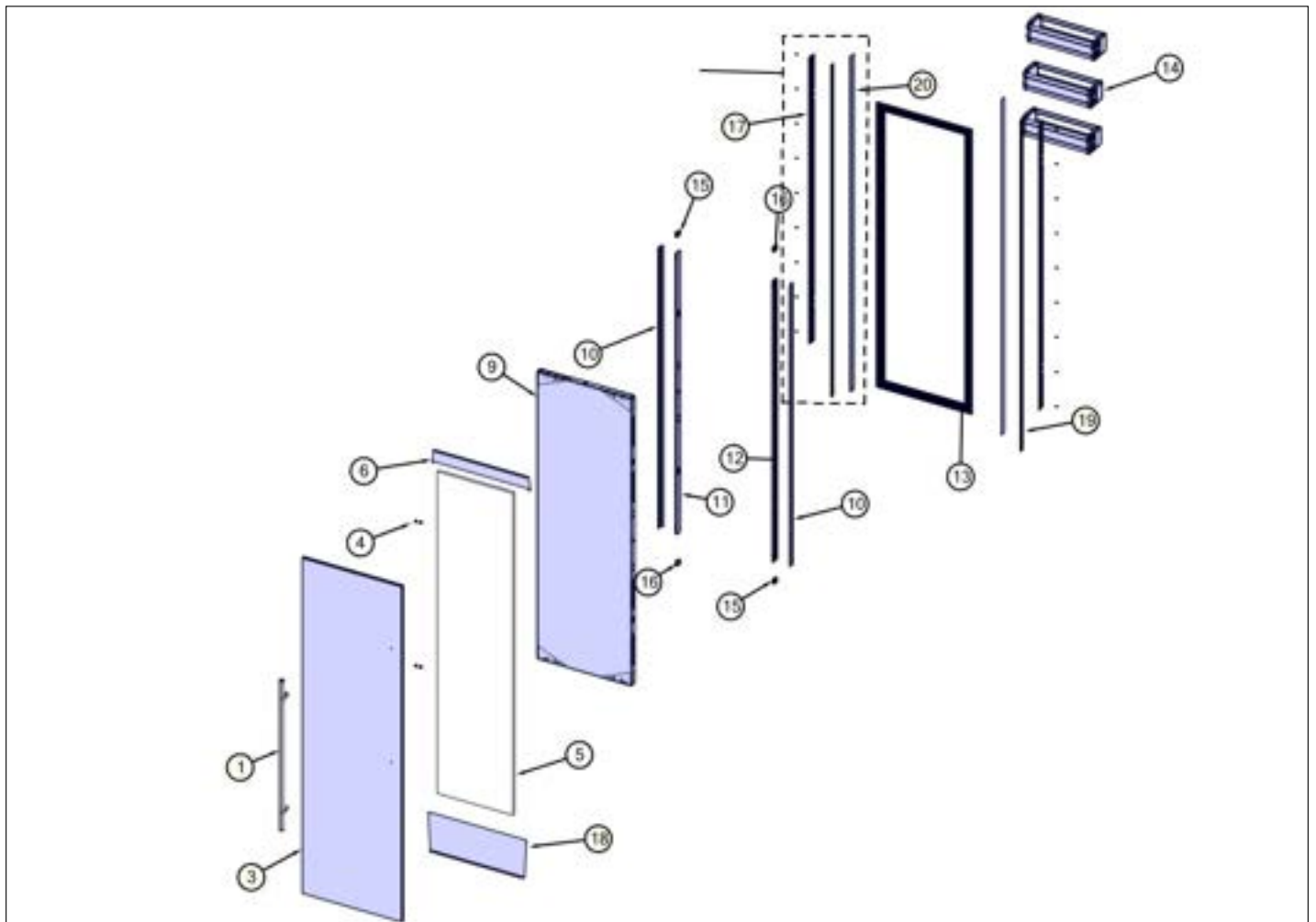
Control View





Item	Part No.	Name	Qty	Uom	NOTES
1	PD020194	SCR, HEX SRTD WSHR HD, #8-18 X 1/2	7	EA	
3	063608-000	COVER, TOP, COLUMN 7 SERIES	1	EA	
4	070487-000	7 SERIES COLUMN BOARD KIT	1	EA	
5	061164-000	SADDLE, LARGE	1	EA	
6	063501-000	BRKT, PNL, MT, CON, COLUMN 7 SERIES	1	EA	
7	072951-000	COVER, FR, CTRL, BD 7 SERIES	1	EA	
9	059774-000	SADDLE, EDGE, LOCKING	1	EA	
10	PE950149	SWITCH POWER	1	EA	
11	069792-000	BRKT, ON/OFF, SW, COLUMN, 7 SERIES W/USB	1	EA	
12	063269-501	MODULE, NIC, V01 (SEE 063269-FAM)	1	EA	
14	053520-000	ENDCAP, HOUSING, TOP UI, LEFT	1	EA	
15	067873-000	BRKT, MOUNT, BREAK OUT, UPPER UI 7 SERIES	4	EA	
16	059487-000	USB, PCB, GND, REF 7 SERIES	1	EA	
17	042766-000	LED LIGHT, 8-POINT	2	EA	
18	053541-000	ENDCAP, HOUSING, TOP UI, RIGHT	1	EA	
19	060364-000	BACK PANEL, TOP UI, 24" 7 SERIES	1	EA	
20	060366-000	BRKT, HSG, TOP UI, COLUMN 24" 7 SERIES	1	EA	
21	060363-000	HSG, TOP UI, COLUMN 24, 7 SERIES	1	EA	
22	061008-501	UI, MAIN CONTROL, ASM, 24" AF 7 SERIES	1	EA	

Door View

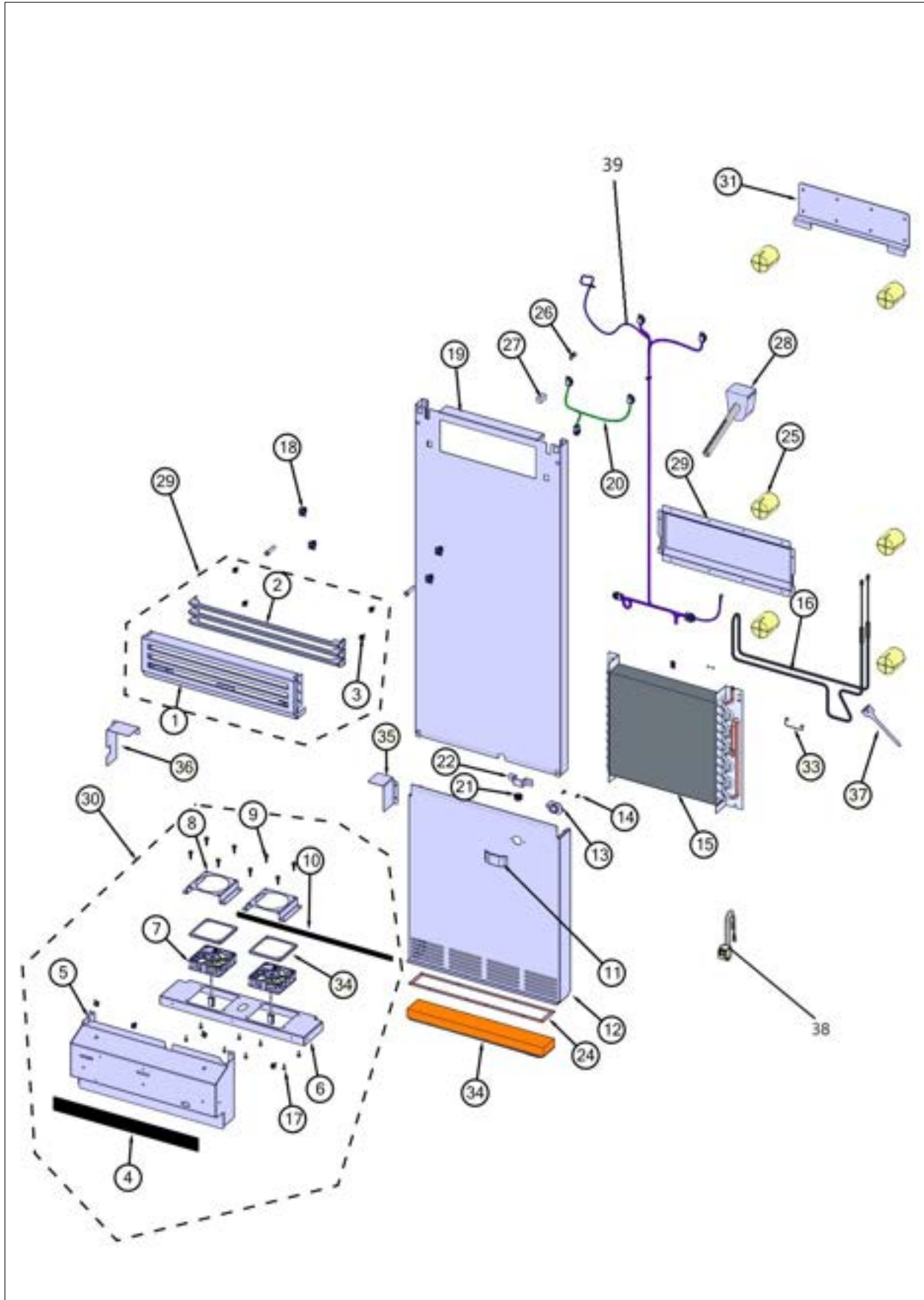






Item	Part No.	Name	Qty	Uom	NOTES
1	030894-000	HANDLE, DOOR 36" BRIGADE	1	EA	
3	068624-000	SKIN, DOOR, SST, L, COLUMNS 24 VIRTUOSO 7 SERIES	1	EA	
Not Shown	NOTE	Must order ITEM #5 also when ordering this part		EA	
4	035647-000	BOLT, FASTENER, HXH, SST	4	EA	
5	061348-000	INSULATION, DOOR SKIN, 24" STYROFOAM, 7 SERIES	1	EA	
6	063364-000	COVER FNSH, TOP, DOOR, COLUMN 24 7 SERIES	1	EA	
9	066620-000	DOOR FOAMED, LH, COLUMN 24 7 SERIES	1	EA	
10	061295-000	COVER, CHNL, TRIM, DOOR, COLUMNS 7 SERIES	2	EA	
11	061294-000	C CHANNEL, EXTR, DOOR, L, COLUMNS 7 SERIES	1	EA	
12	061293-000	C CHANNEL, EXTR, DOOR, R, COLUMNS 7 SERIES	1	EA	
13	061698-000	GSKT, DOOR, ASSY, 24 COLUMN, 7 SERIES	1	EA	
14	061067-000	DOOR, BIN, ASM, 24" 7 SERIES	3	EA	
15	062095-000	CAP, END, DOOR TRIM	2	EA	
16	062115-000	CAP, END, DOOR TRIM, RH	2	EA	
17	073023-000	BKT, TRIM, MAGNET, 7 SERIES	1	EA	
Not Shown	NOTE	(ORDER ITEM 21)		EA	
18	063365-000	COVER, FNSH, BOT, DOOR, COLUMN 24 7 SERIES	1	EA	
19	068842-000	MAGNET, TRIM, 7 SERIES	2	EA	
Not Shown	NOTE	(ORDER ITEM 21)		EA	
20	067217-000	TRIM, FINISH, SIDE, MAGNET	2	EA	
Not Shown	NOTE	(ORDER ITEM 21)		EA	
21	068995-000	TRIM, SIDE, ASM, BM 7 SERIES	2	EA	

Interior Rear View



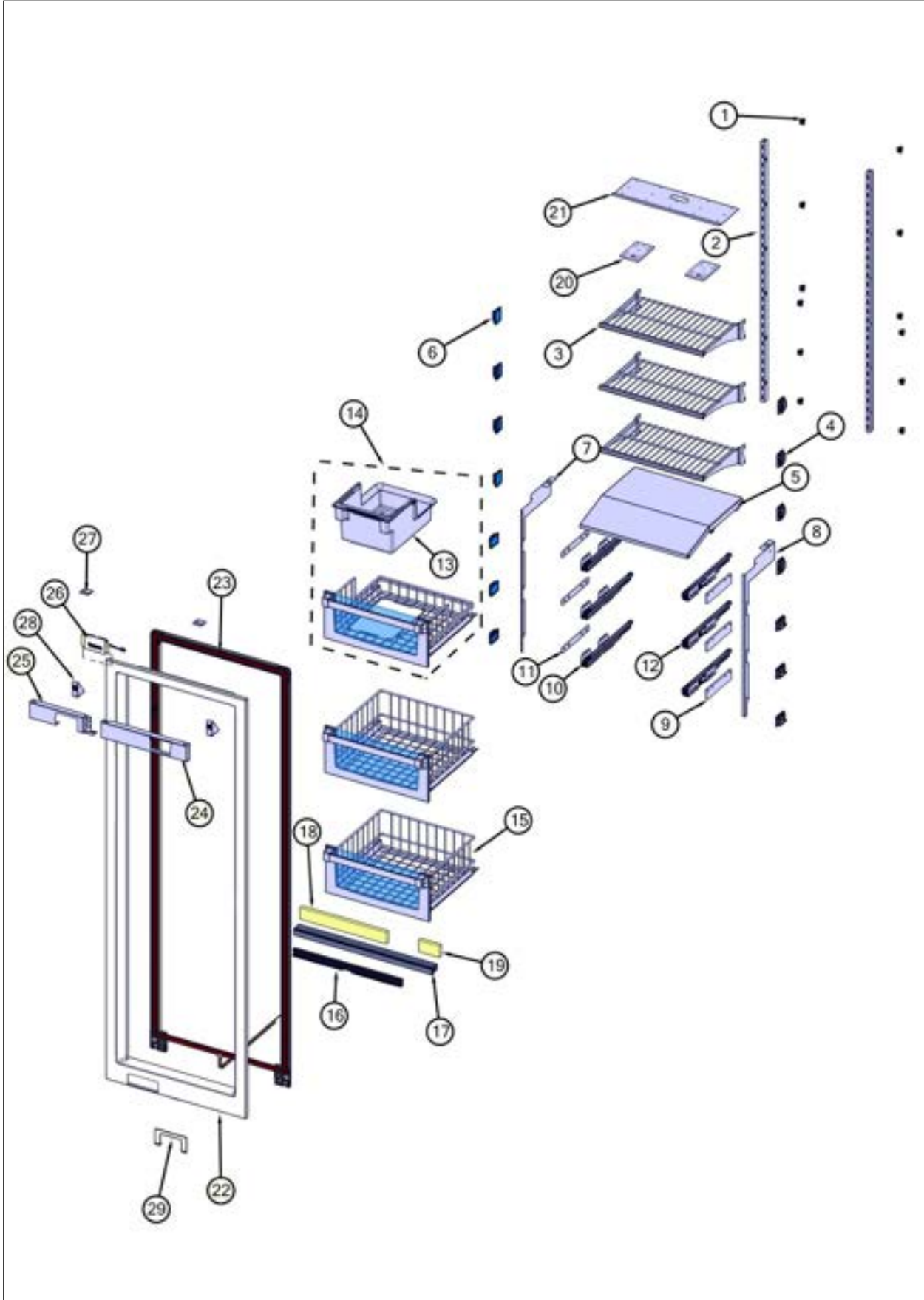


Item	Part No.	Name	Qty	Uom	NOTES
1	060459-000	FAN, COVER, 24" 7 SERIES	1	EA	
2	060460-000	LVR, FAN COVER, COLUMN 24 7 SERIES	3	EA	
3	PD950012	STRIKE PANEL ACCESS	12	EA	
4	068297-000	FOAM, BLACK, INS, .125" X 16.941" X 2"	1	EA	
5	066161-000	SPRT, ICMKR, COLUMN, 24" AF 7 SERIES	1	EA	
6	066897-000	BRKT, SPRT, FAN, COLUMN 24 AF 7 SERIES	1	EA	
7	066310-000	FAN, EVAP, FZ, COLUMN 7 SERIES ASSY	2	EA	
8	057813-000	FRESH FOOD, FAN, BOX, BM 7 SERIES	2	EA	
Not Shown	NOTE	(BEFORE 09/03/2020)		EA	
8	073348-000	BRKT, HARN, GROMMET, TONES, 18/24 AF	1	EA	
Not Shown	NOTE	(ON OR AFTER 09/03/2020)		EA	
9	007301-000	GROMMET,RUBBER	8	EA	
10	068301-000	FOAM BLACK, .125" X .5" X 16.9"	1	EA	
11	050844-000	COVER, THERMISTOR, FF	1	EA	
12	066101-000	CVR, EVAP, BOT, COLUMN, 24" AF 7 SERIES	1	EA	
13	C8983701	THERMISTOR	1	EA	
14	PD920161	SCR 8-16 PLASTITE PNP 3/8 S	2	EA	
15	060385-000	EVAP, AF, 24" 7 SERIES	1	EA	
16	063758-000	DEFROST HEATER, FZ 24"	1	EA	
17	003860-000	10-18 x .500 FASTNR,SCR,HXWH,STL,ZPLT	8	EA	
18	PD950013	LATCH PANEL ACCESS	1	EA	
19	066046-000	CVR, EVAP, COLUMN, 24" AF 7 SERIES	1	EA	
NI	PD020194	SCR, HEX SRTD WSHR HD, #8-18 X 1/2	9	EA	
20	064589-000	HARN, JUMPER, EVAP, FAN	1	EA	
21	063922-000	GROM, LOCK, 9/16	1	EA	



Item	Part No.	Name	Qty	Uom	NOTES
22	066168-000	BRKT, FILL TUBE, COLUMNS 7 SERIES	1	EA	
23	061726-000	SUMP, INSR, 24" 7 SERIES	1	EA	
24	060676-000	GASKET, SUMP, 24" 7 SERIES	1	EA	
25	055057-000	BLOCK, FOAM, FRESH FOOD, 2X2.25, BM 7 SERIES	6	EA	
26	010553-000	METAL, SCREW, ANCHOR	34	EA	
27	A3189333	GASKET FOAM 1"X.5"X.5"	34	EA	
28	061278-000	CABINET, PREFOAM COMPONENTS, COLUMNS, AF 7 SERIES	1	EA	
29	060461-000	FAN, COVER, ASM, 24" 7 SERIES	1	EA	
30	066898-000	FAN, EVAP, ASSY, COLUMN 24 AF 7 SERIES	1	EA	
31	061349-000	BRKT, ANTI-TIP, COLUMN 24 7 SERIES	1	EA	
32	066901-000	LINER, OFFSET, FAN, 24 AF 7 SERIES	1	EA	
33	060302-000	CLIP, DFR, HEATER, 7 SERIES	1	EA	
34	056228-000	GASKET, MOUNT, FAN, LARGE, AR 36	2	EA	
35	068646-000	BRKT, DIVERTER, AIR, L, 24" AF 7 SERIES	1	EA	
36	068647-000	BRKT, DIVERTER, AIR, R, 24" AF 7 SERIES	1	EA	
37	057783-000	EXTENSION, DFR, HEATER, AF 30/36	1	EA	
NI	029429-000	SPACER, MEATSAVOR	6	EA	
38	059650-000	THERMOSTAT, SNAP ACTION, 75 OPEN, 45 CLOSE	1	EA	
39	066905-000	HARN, VFI7, INNER LINER	1	EA	
NI	068305-000	FOAM, BLACK, 16" X 16" X .125"	1	EA	

Interior Shelving View



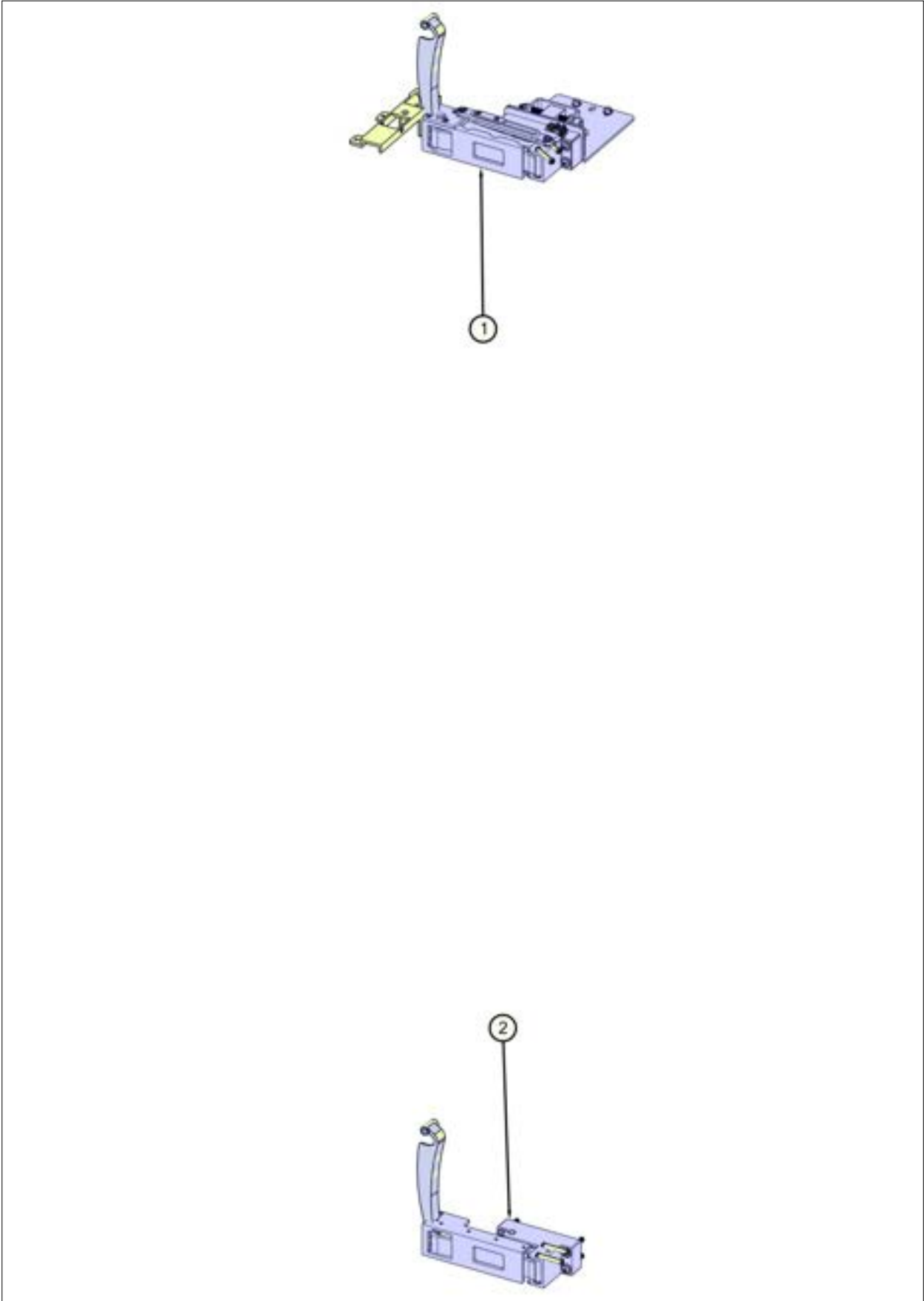


Item	Part No.	Name	Qty	Uom	NOTES
1	PD950013	LATCH PANEL ACCESS	14	EA	
2	071771-006	LADDER, COLUMN, 7 SERIES	2	EA	
3	060777-000	SHELF, WIRE, ASM, 24" AF 7 SERIES	3	EA	
4	042764-000	LED LIGHT, 3-POINT	14	EA	
5	064202-000	COVER ICEMAKER, 24" AF COLUMN 7 SERIES	1	EA	
6	042764-000	LED LIGHT, 3-POINT	14	EA	
7	069586-006	BRKT, EXTND, IM COVER, HDL SIDE, LH, AF COLUMN 7 SERIES	1	EA	
8	069584-006	BRLT, EXTND, IM COVER, HNG SIDE, LH, AF COLUMN 7 SERIES	1	EA	
9	067299-000	SPACER, SLIDE, CRISPER, SD, HINGE	3	EA	
10	072399-000	SLIDE DWR, FZ/RF, LH	3	EA	
11	053424-000	BACKPLATE, RVT, NUT, CRISPER, DWR, BM 7 SERIES	6	EA	
12	072400-000	SLIDE DWR, FZ/RF, RH	3	EA	
13	064581-000	COLUMN ICE BIN, ASM	1	EA	
14	064253-000	DWR, IM, ASM, 24" AF 7 SERIES	1	EA	
15	062061-000	DWR, ASM, COLUMN, 24 AF 7 SERIES	2	EA	
16	060077-000	MAGNET, EXTRUSION, BTM, 24"	1	EA	
17	060078-000	BTM, SUPPORT,, EXTRUSION, 24"	1	EA	
18	061259-000	INSULATION, FOAM, BOTTOM HINGE, COLUMN 24" 7 SERIES	1	EA	
19	061231-000	INSULATION, FOAM, HINGE SIDE, COLUMN, 18" AF 7 SERIES	1	EA	
20	PC920135	TAP PLATE - BOT HINGE	2	EA	
21	062331-000	BACK PL, TOP UI, COLUMN 24 7 SERIES	1	EA	
22	062987-000	BREAKER FRAME, ASM, LH, 24" 7 SERIES (NOT A SERVICEABLE PART)	1	EA	
23	060084-000	MAGNETS & EXTRUSIONS, ASM, 24"	1	EA	



Item	Part No.	Name	Qty	Uom	NOTES
24	063586-000	TRIM, TOP, LOGO SIDE, LH, 24 COLUMN 7 SERIES	1	EA	
25	063360-000	TRIM, TOP, LOGO SIDE, W/O LOGO, RH, 24 COLUMN 7 SERIES	1	EA	
26	070306-603	LIGHT, LOGO, ASM, 7 SERIES-WHITE W/HARNESS	1	EA	
27	059043-000	BRACKET, TOP, FRONT TRIM, BM 7 SERIES	2	EA	
28	058677-000	BRACKET, SNAP FEAT, TOP TRIM, RH, BM 7 SERIES	2	EA	
29	067578-000	CVR, HNG, BOT, COLUMNS, ASSY 7 SERIES	1	EA	

Hinge View

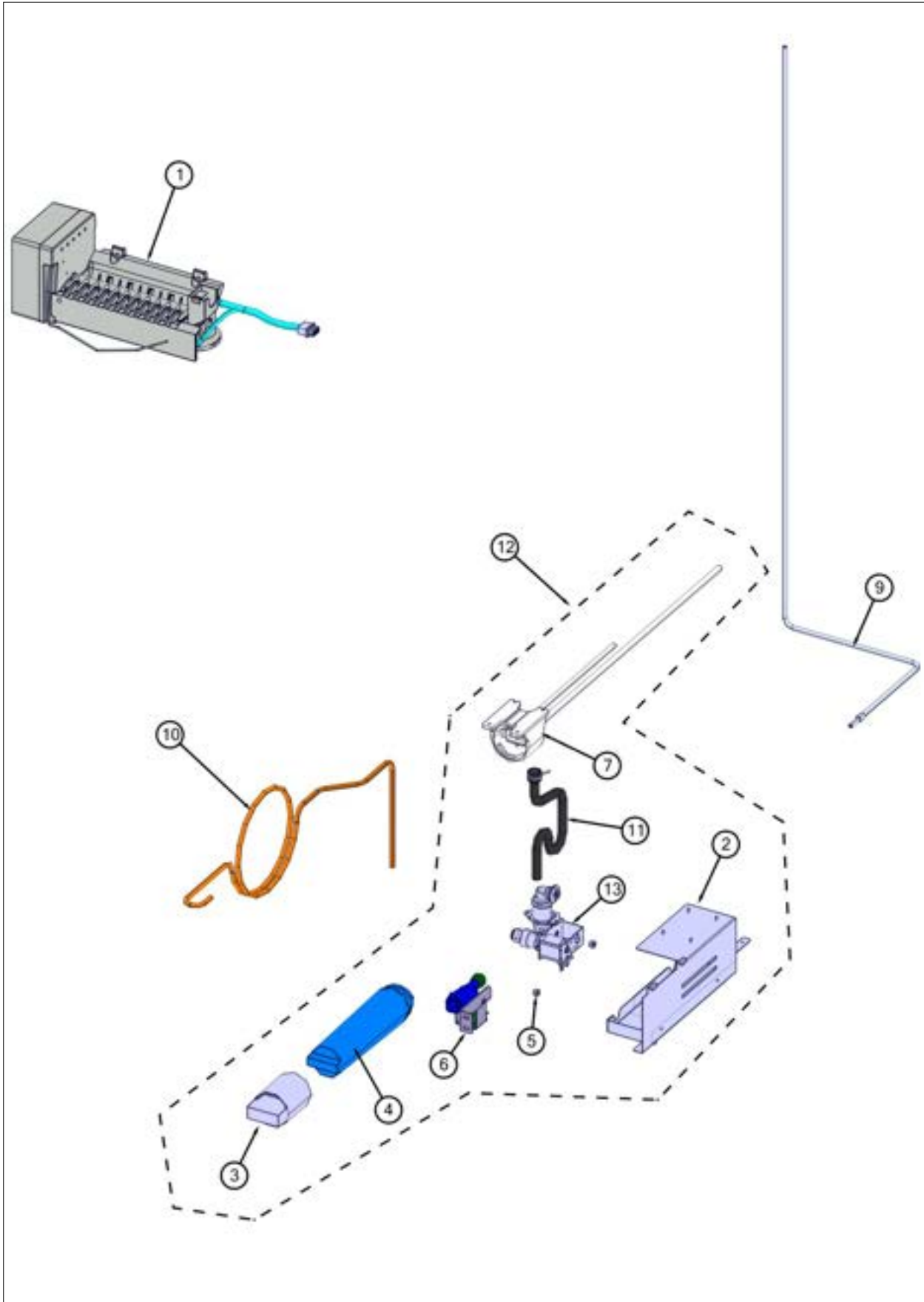






Item	Part No.	Name	Qty	Uom	NOTES
1	062071-000	TOP HINGE, LH, ASM, BM 7 SERIES	1	EA	
NI	058225-000	FF, DOOR SWITCH, BM 7 SERIES	1	EA	
2	062072-000	BOTTOM, HINGE, LH, ASM, BM 7 SERIES	1	EA	

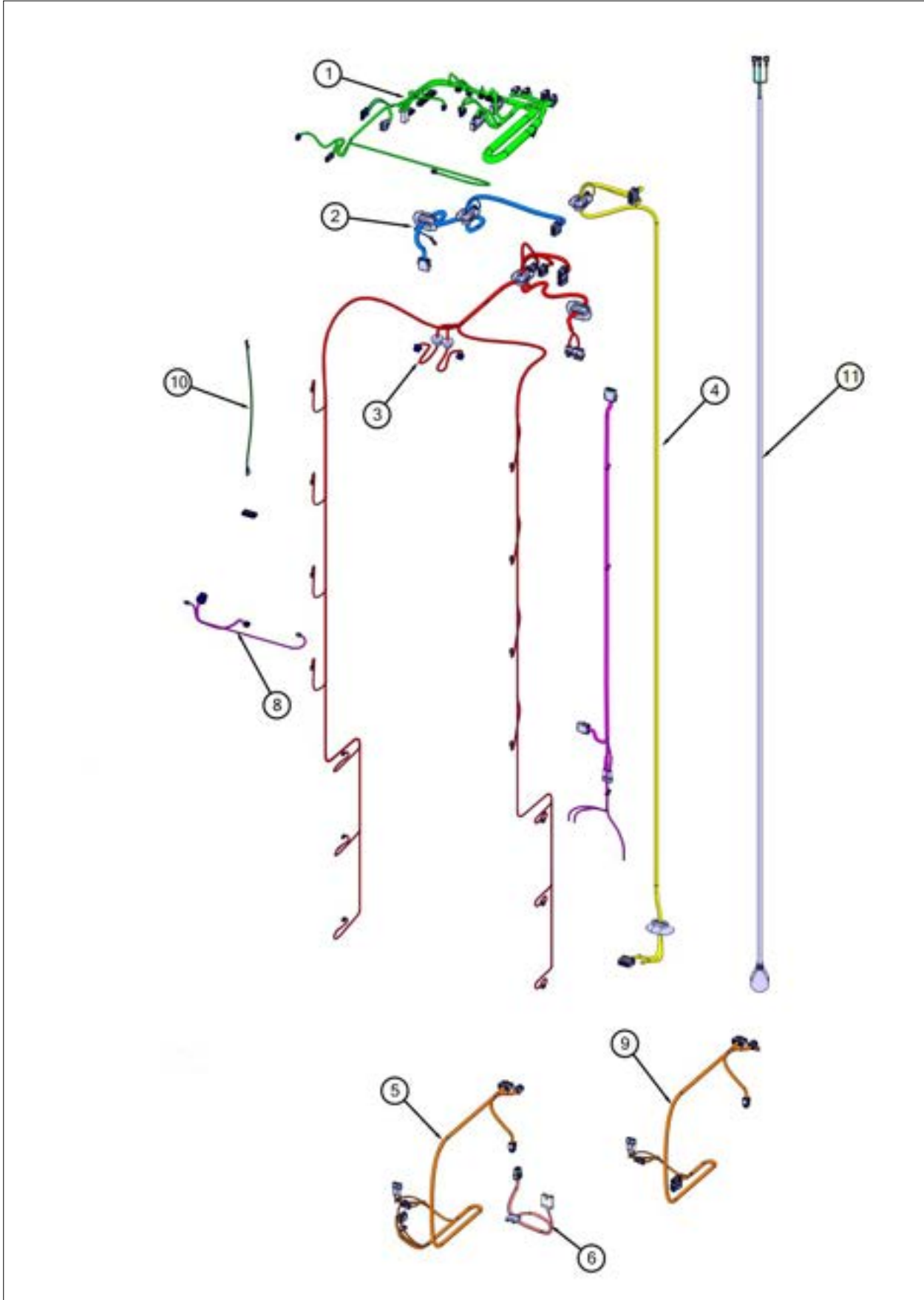
Water System View





Item	Part No.	Name	Qty	Uom	NOTES
1	060989-000	ICEMAKER, ASM, AF COLUMN 7 SERIES	1	EA	
2	072885-000	BRACKET, FILTER, WATER, UNION	1	EA	
3	064978-000	TOOL, WATER FILTER, 7 SERIES	1	EA	
4	057498-000	FILTER, CARTRIDGE, WATER, BM 7 SERIES	1	EA	
5	057883-000	FLANGE, NUT, WATER FILTER, BM 7 SERIES	2	EA	
6	PA070016	VALVE WATER SINGLE DISP, FAMILY	1	EA	
7	058451-000	MANIFOLD, WATER FILTER	1	EA	
9	066408-000	WL, ASSY, ICE MKR, COLUMN 24 AF 7 SERIES	1	EA	
10	061400-000	WATER LINE, INLET, 7 SERIES	1	EA	
11	069446-000	ASM, DRAIN, OUTLET, COLUMN AR 7 SERIES	1	EA	
12	063729-000	FILTER & VALVE ASSY, COLUMNS 7 SERIES	1	EA	
13	066798-601	VALVE, ICEMAKER, 110/120VAC 18", 24" FZ COLUMN	1	EA	

Wiring View





Item	Part No.	Name	Qty	Uom	NOTES
1	063611-000	HARN, VRI7, CONTROL, (AF)	1	EA	
2	063380-000	HARN, VRI718/240, AC (AF)	1	EA	
3	063379-000	HARN, VFI718/240 DC (AF)	1	EA	
4	063717-000	HARN, CO, CONTROL, TO MC (AR/AF)	1	EA	
5	063363-000	HARN, VRI7240, MACHINE (AR/AF)	1	EA	
6	064628-000	HARN, VFI7, WATER VALVES	1	EA	
8	063343-000	HARN, CO, UI (AR/AF)	1	EA	
9	065207-000	HARN, VFI7240, MACHINE	1	EA	
10	066637-000	HARN, GND, CLIP, JUMPER	1	EA	
11	059105-000	CORD, PWR, BM, LEAD TERMINALS	1	EA	



Appendix A:Pages Index

Bottom View ..... 1  
Control View ..... 2  
Door View ..... 3  
Hinge View ..... 6  
Interior Rear View ..... 4  
Interior Shelving View ..... 5  
Water System View ..... 7  
Wiring View ..... 8



Appendix B:Parts Index

003860-000	4	060364-000	2
007301-000	4	060366-000	2
010553-000	4	060385-000	4
029429-000	4	060459-000	4
030894-000	3	060460-000	4
030926-000	1	060461-000	4
035647-000	3	060576-000	1
042764-000	5, 5	060676-000	4
042766-000	2	060777-000	5
050844-000	4	060989-000	7
052986-000	1	061008-501	2
053424-000	5	061067-000	3
053520-000	2	061164-000	2
053541-000	2	061231-000	5
053739-000	1	061259-000	5
054917-601	1	061278-000	4
055051-000	1	061293-000	3
055054-000	1	061294-000	3
055057-000	4	061295-000	3
056228-000	4	061345-000	1
057498-000	7	061348-000	3
057783-000	4	061349-000	4
057813-000	4	061400-000	7
057883-000	7	061698-000	3
058225-000	6	061705-000	1
058451-000	7	061726-000	4
058677-000	5	062061-000	5
059043-000	5	062071-000	6
059105-000	8	062072-000	6
059487-000	2	062095-000	3
059650-000	4	062115-000	3
059774-000	2	062226-000	1
060077-000	5	062230-000	1
060078-000	5	062331-000	5
060084-000	5	062775-000	1
060129-000	1	062987-000	5
060302-000	4	063269-501	2
060353-000	1	063343-000	8
060358-000	1	063360-000	5
060363-000	2	063363-000	8
		063364-000	3



063365-000	1, 3	067036-000	1
063379-000	8	067037-000	1
063380-000	8	067217-000	3
063501-000	2	067299-000	5
063586-000	5	067578-000	5
063608-000	2	067873-000	2
063611-000	8	068297-000	4
063717-000	8	068301-000	4
063729-000	7	068305-000	4
063742-000	1	068507-000	1
063758-000	4	068624-000	3
063922-000	4	068646-000	4
063926-000	1	068647-000	4
064148-000	1	068842-000	3
064202-000	5	068995-000	3
064253-000	5	069446-000	7
064288-000	1	069584-006	5
064382-000	1	069586-006	5
064581-000	5	069643-000	1
064589-000	4	069792-000	2
064628-000	8	070306-603	5
064978-000	7	070487-000	2
064984-000	1	071771-006	5
065207-000	8	072399-000	5
066046-000	4	072400-000	5
066101-000	4	072885-000	7
066115-000	1	072951-000	2
066161-000	4	073023-000	3
066168-000	4	073348-000	4
066310-000	4	10547001	1
066408-000	7	A3189333	4
066620-000	3	C8983701	4
066637-000	8	F2097740	1
066702-000	1	M0104102	1
066705-000	1	M0221523	1
066798-601	7	PA070016	7
066897-000	4	PC920135	5
066898-000	4	PD020032	1
066901-000	4	PD020194	2, 4
066905-000	4	PD920161	4
066980-000	1	PD950012	4





PD950013 .....	4, 5
PE950149 .....	2
PK930321 .....	1