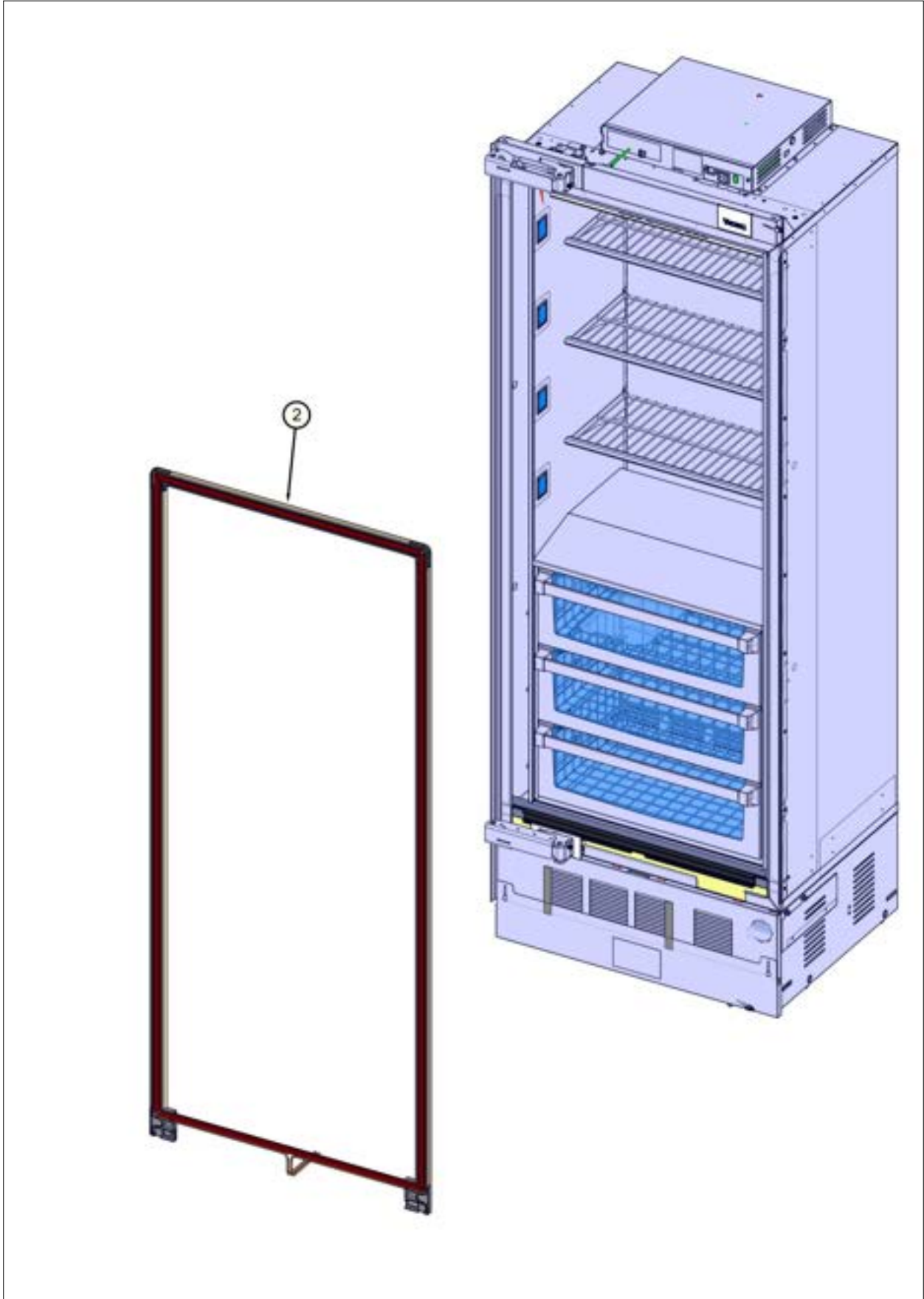


# MVFI7300WL

Cab Front View .....	1
Cab Bottom View .....	2
Lo Side Asm View .....	3
Interior Shelving View .....	4
Control View .....	5
Water System View .....	6
Electrical View .....	7
Door View .....	8
Appendix A:Pages Index .....	A
Appendix B:Parts Index .....	B

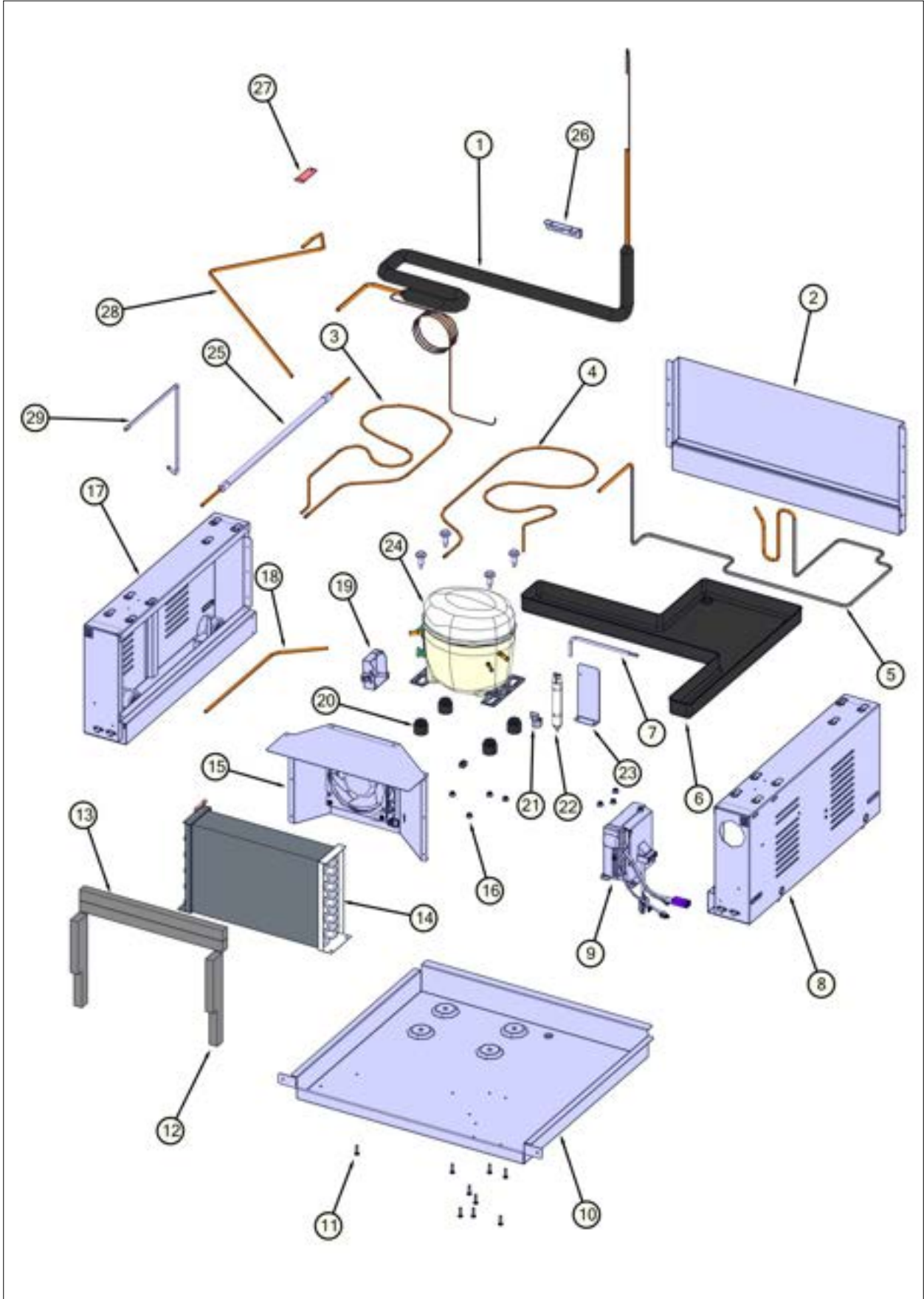
Cab Front View





Item	Part No.	Name	Qty	Uom	NOTES
2	064797-000	MAG & EXTRN, ASSY, COLUMN 30 7 SERIES (NON- SERVICEABLE PART)	1	EA	

Cab Bottom View



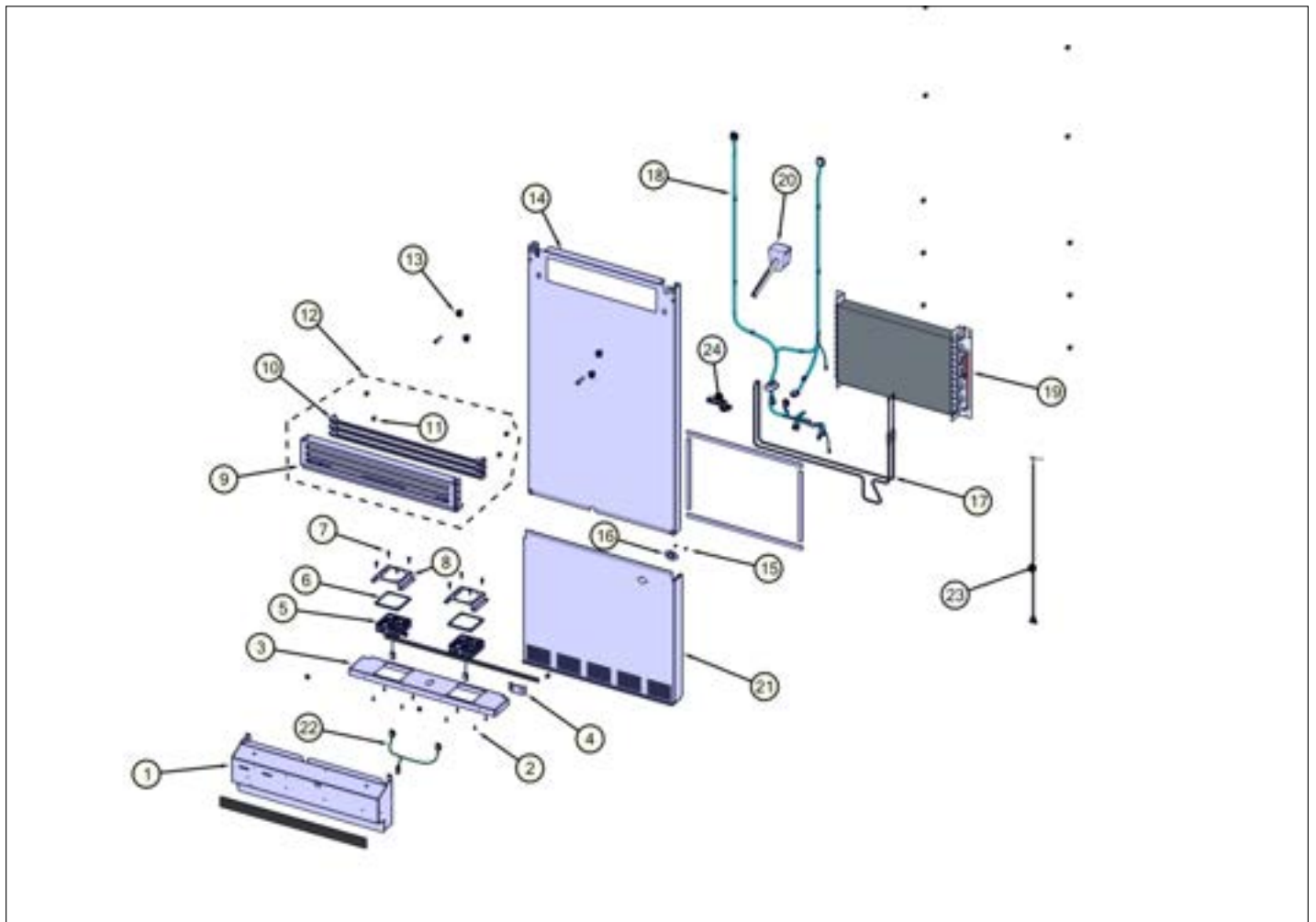


Item	Part No.	Name	Qty	Uom	NOTES
1	065914-000	HE, TBG, ASSY, COLUMN 30/36 AF 7 SERIES	1	EA	
2	065257-000	MC, REAR PANEL, ASSY, COLUMN 30 7 SERIES	1	EA	
3	067037-000	LOOP, OMEGA, HOT LOOP, OUTLET, AF 24	1	EA	
4	067036-000	LOOP, OMEGA, HOT LOOP, EXIT, AF 24	1	EA	
5	065913-000	LINE, DSCH, CNDR, COLUMN 30 AF 7 SERIES	1	EA	
6	065468-000	PAN, MC, DRAIN, COLUMN 30 7 SERIES	1	EA	
7	f2097740	TUBE PROCESS	1	EA	
8	066702-000	HSG, R, MC ASSY, 7 SERIES	1	EA	
9	054917-601	INVERTER, CMPR, FREEZER, 7 SERIES BM/COLUMNS	1	EA	
10	065273-000	MOBILITY TRAY, MC, COLUMN 30" 7 SERIES	1	EA	
11	055051-000	STUD, #10-32, 5/8, MC, MOBILITY, TRAY, BM 7 SERIES	1	EA	
12	068507-000	FOAM, BAF, KPL, CNDR, COLUMN 7 SERIES	2	EA	
13	067439-000	FOAM, BAF, CNDR, COLUMN 30/36 7 SERIES	2	EA	
14	065660-000	CNDR, COLUMN 30 36 7 SERIES	1	EA	
15	065713-000	CNDR FAN, SPRT, ASSY, COLUMN 30/36 7 SERIES	1	EA	
16	055054-000	STUD, NUT, #10-32, MC, BM 7 SERIES	9	EA	
17	066705-000	HSG, L, MC, ASSY, 7 SERIES	1	EA	
18	067436-000	TUBE, PRCS, LOW SIDE, COLUMN 30& 36 AF 7 SERIES	1	EA	
19	060129-000	COMPRESSOR, CVR, 7 SERIES	1	EA	
20	053739-000	GROMMET, CMPR, BM 7 SERIES	4	EA	
21	10547001	CLIP-DRIER V10547001	1	EA	
22	030926-000	DRIER - HIGH SIDE	1	EA	
23	063926-000	BRKT, DRYER, COLUMN 7 SERIES	1	EA	
24	062775-000	VEGD 8H COMPRESSOR	1	EA	



Item	Part No.	Name	Qty	Uom	NOTES
25	063923-000	FLEX LINE 7 SERIES	1	EA	
26	064288-000	BRKT, CONN, MC, COLUMN 7 SERIES	1	EA	
27	068933-000	BRKT, BREAKER FRAME, 7 SERIES	1	EA	
28	072594-000	TUBE, PRCS, COPR	1	EA	
29	072145-000	TUBING, EXTENSION, DISCHARGE, 30 AF	1	EA	

Lo Side Asm View





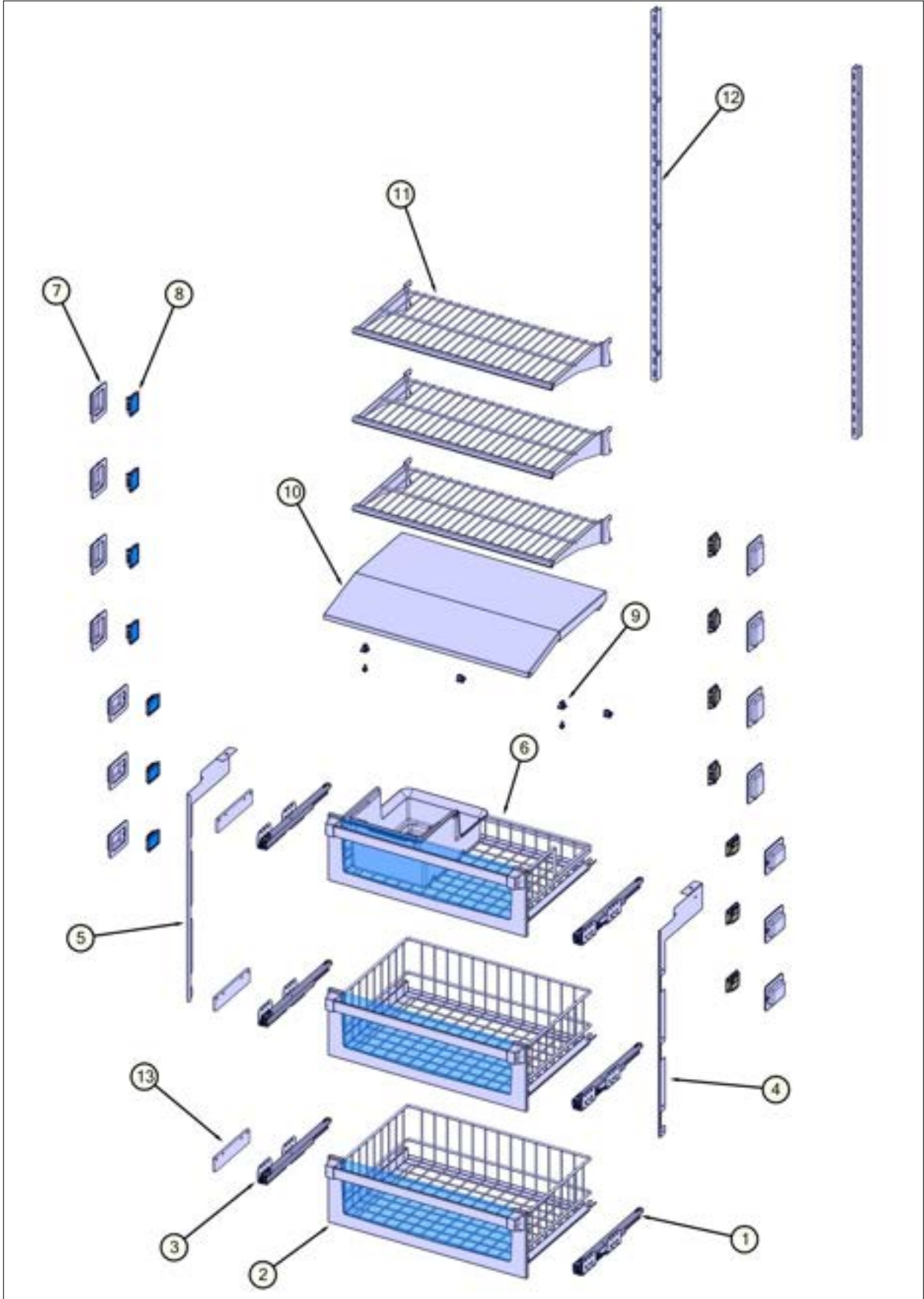


Item	Part No.	Name	Qty	Uom	NOTES
1	066294-000	SPRT, ICMKR, COLUMN 30" AF 7 SERIES	1	EA	
2	PD020194	SCR, HEX SRTD WSHR HD, #8-18 X 1/2	8	EA	
3	067109-000	BRKT, SPRT, FAN, COLUMN 30" AF 7 SERIES	1	EA	
4	050844-000	COVER, THERMISTOR, FF	1	EA	
5	066310-000	FAN, EVAP, FZ, COLUMN 7 SERIES ASSY	2	EA	
6	056228-000	GASKET, MOUNT, FAN, LARGE, AR 36	2	EA	
7	007301-000	GROMMET, RUBBER	8	EA	
8	057813-000	FRESH FOOD, FAN, BOX, BM 7 SERIES	2	EA	
9	064610-000	FAN, COVER, 30" 7 SERIES	1	EA	
10	064612-000	LOUVER, FAN, COVER, 30" 7 SERIES	3	EA	
11	PD950012	STRIKE PANEL ACCESS	4	EA	
12	065262-000	FAN, COVER, ASSY, COLUMN 30 7 SERIES	1	EA	
13	PD950013	LATCH PANEL ACCESS	4	EA	
14	064624-000	COVER, EVAP, COLUMN 30 AF 7 SERIES	1	EA	
15	PD920161	SCR 8-16 PLASTITE PNP 3/8 S	2	EA	
16	C8983701	THERMISTOR	1	EA	
17	069153-601	HTR, FZ, DFRT, COLUMN 30/36 AF 7 SERIES	1	EA	
18	066905-000	HARN, VFI7, INNER LINER	1	EA	
19	069152-000	EVAP, INTEG HTR, COLUMN 30/36 AF 7 SERIES	1	EA	
Not Shown	NOTE	(ORDER 058535-000 THERMISTOR WHEN REPLACING EVAP)		EA	
20	061278-000	CABINET, PREFOAM COMPONENTS, COLUMNS, AF 7 SERIES	1	EA	
21	064622-000	BOTTOM, EVAP, COVER, 30" AF 7 SERIES	1	EA	
22	071244-000	HARN, JMPR, EVAP, FAN	1	EA	
23	058535-000	EVAP, THERMISTOR, 7 SERIES	1	EA	



Item	Part No.	Name	Qty	Uom	NOTES
<p>Comments for Part Num. 058535-000</p> <p>gboltz@VikingRange.com on Jun 10, 2019</p> <p>Order 066362-000 foil tape with thermistor for isolating dis-similar metals.</p>					
24	059650-000	THERMOSTAT, SNAP ACTION, 75 OPEN, 45 CLOSE	1	EA	

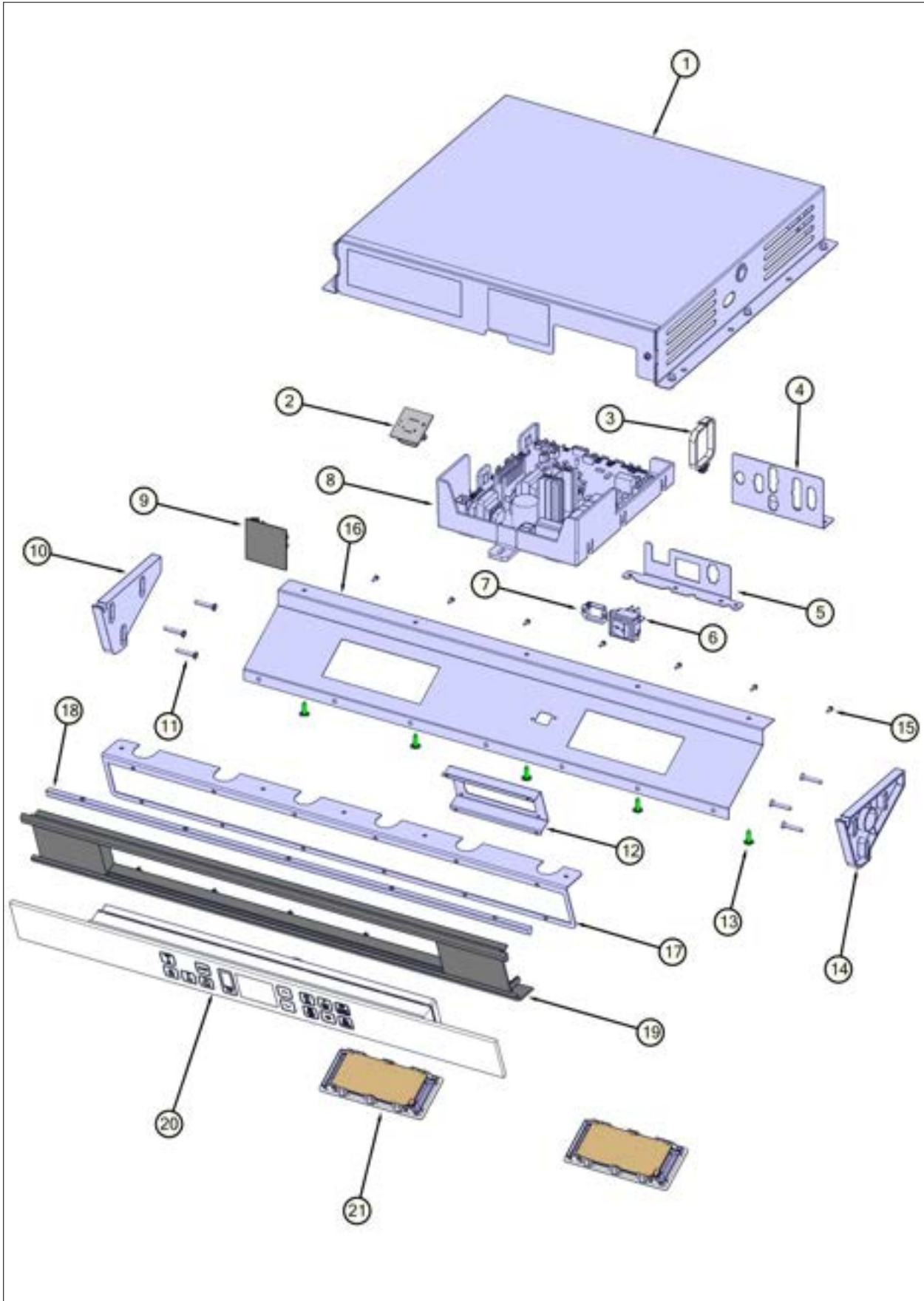
Interior Shelving View





Item	Part No.	Name	Qty	Uom	NOTES
1	072400-000	SLIDE DWR, FZ/RF, RH	3	EA	
2	065440-000	DWR, ASSY, COLUMN 30 AF 7 SERIES	2	EA	
3	072399-000	SLIDE DWR, FZ/RF, LH	3	EA	
4	069586-006	BRKT, EXTND, IM COVER, HDL SIDE, LH, AF COLUMN 7 SERIES	1	EA	
5	069584-006	BRLT, EXTND, IM COVER, HNG SIDE, LH, AF COLUMN 7 SERIES	1	EA	
6	065445-000	DWR, IM, ASSY, COLUMN 30 AF 7 SERIES	1	EA	
7	046358-000	LED CUP ASSY (3) (NON-SERVICEABLE PART)	14	EA	
8	042764-000	LED LIGHT, 3-POINT	14	EA	
9	PD950013	LATCH PANEL ACCESS	12	EA	
10	064614-000	COVER, ICEMAKER, 30 AF COLUMN 7 SERIES	1	EA	
11	064616-000	SHELF, WIRE, ASM, 30" AF 7 SERIES	3	EA	
12	071771-006	LADDER, COLUMN, 7 SERIES	2	EA	
13	067299-000	SPACER, SLIDE, CRISPER, SD, HINGE	3	EA	

Control View



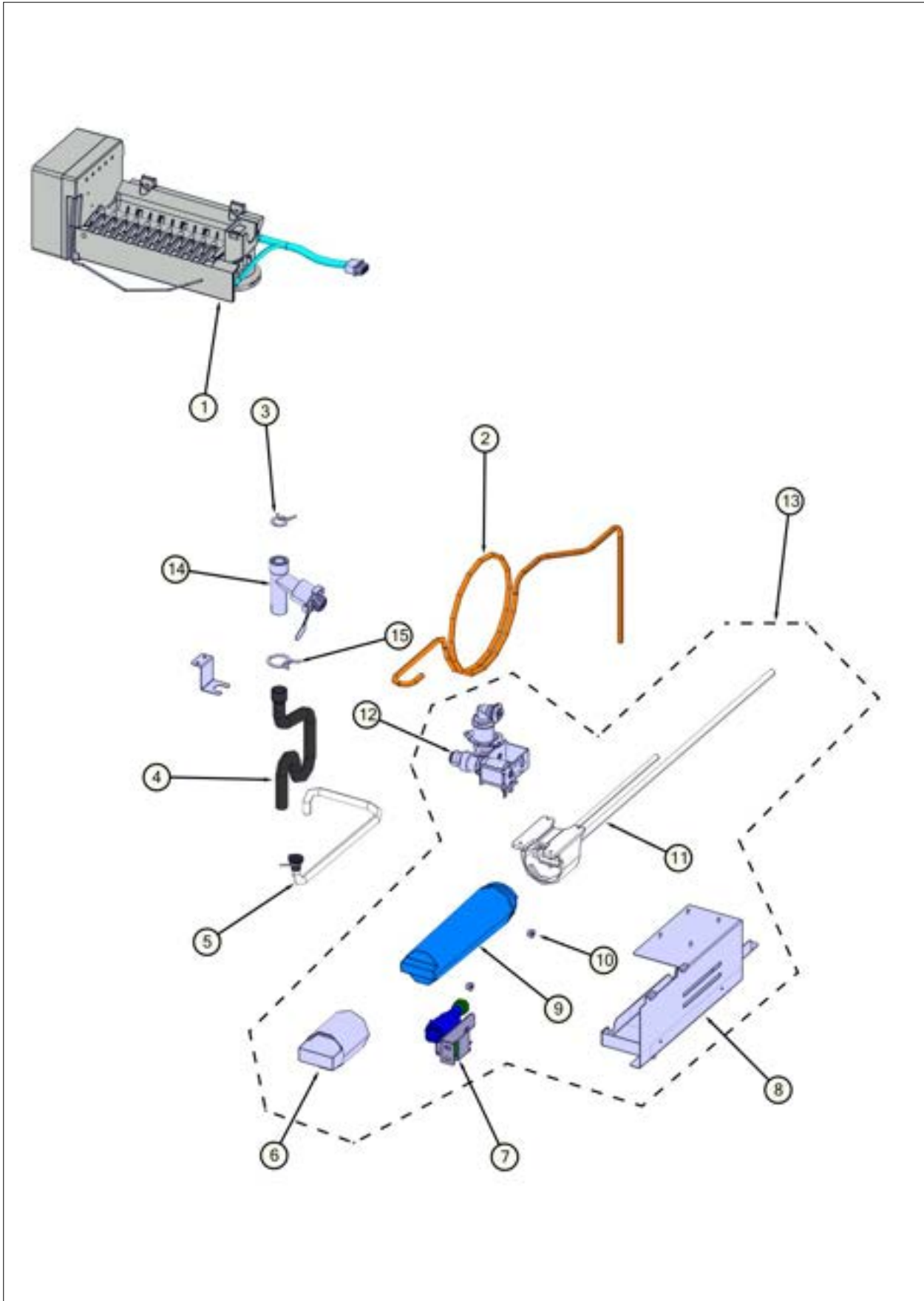


Item	Part No.	Name	Qty	Uom	NOTES
1	066587-000	CVR, TOP, LH, ASSY, COLUMN 7 SERIES	1	EA	
2	059487-000	USB, PCB, GND, REF 7 SERIES	1	EA	
3	061164-000	SADDLE, LARGE	1	EA	
4	063501-000	BRKT, PNL, MT, CON, COLUMN 7 SERIES	1	EA	
5	069792-000	BRKT, ON/OFF, SW, COLUMN, 7 SERIES W/USB	1	EA	
6	PE950149	SWITCH POWER	1	EA	
7	059774-000	SADDLE, EDGE, LOCKING	1	EA	
8	070487-000	7 SERIES COLUMN BOARD KIT	1	EA	
9	063269-501	MODULE, NIC, V01 (SEE 063269-FAM)	1	EA	
10	053520-000	ENDCAP, HOUSING, TOP UI, LEFT	1	EA	
11	013397-000	1" PAINTED LADDER SCREW	6	EA	
12	067873-000	BRKT, MOUNT, BREAK OUT, UPPER UI 7 SERIES	1	EA	
13	M0210458	SCR 8-18 X 5/8 WAFER PH SMS	5	EA	
14	053541-000	ENDCAP, HOUSING, TOP UI, RIGHT	1	EA	
15	PD020013	TYPE "AB" #6 X 3/8 PH PAN HD. SMS	23	EA	
16	065345-000	BACK, PNL, TOP UI, COLUMN 30 7 SERIES	1	EA	
17	065369-000	BRKT, HSG, TOP UI, COLUMN 30 7 SERIES	1	EA	
18	065424-000	GSKT, HSG, TOP UI, COLUMN 30 7 SERIES	1	EA	
19	065367-000	HSG, TOP UI, COLUMN 30 7 SERIES	1	EA	
20	068684-501	UI, MAIN, CTRL, ASSY, COLUMN 30 AF 7 SERIES	1	EA	
21	042766-000	LED LIGHT, 8-POINT	2	EA	
NI	061613-000	FASTENER, SCR, 4-40 X 1/4, PRH, SST	2	EA	
NI	PD020194	SCR, HEX SRTD WSHR HD, #8-18 X 1/2	10	EA	
NI	014399-000	TAPE,FOAM,DBL SIDED	2FT	EA	
NI	PD020010	10 X 3/8 GREEN GROUNDING SCREW	1	EA	



Item	Part No.	Name	Qty	Uom	NOTES
NI	069620-000	BUSHING, SNAP, U-TYPE, .900"	1	EA	

Water System View

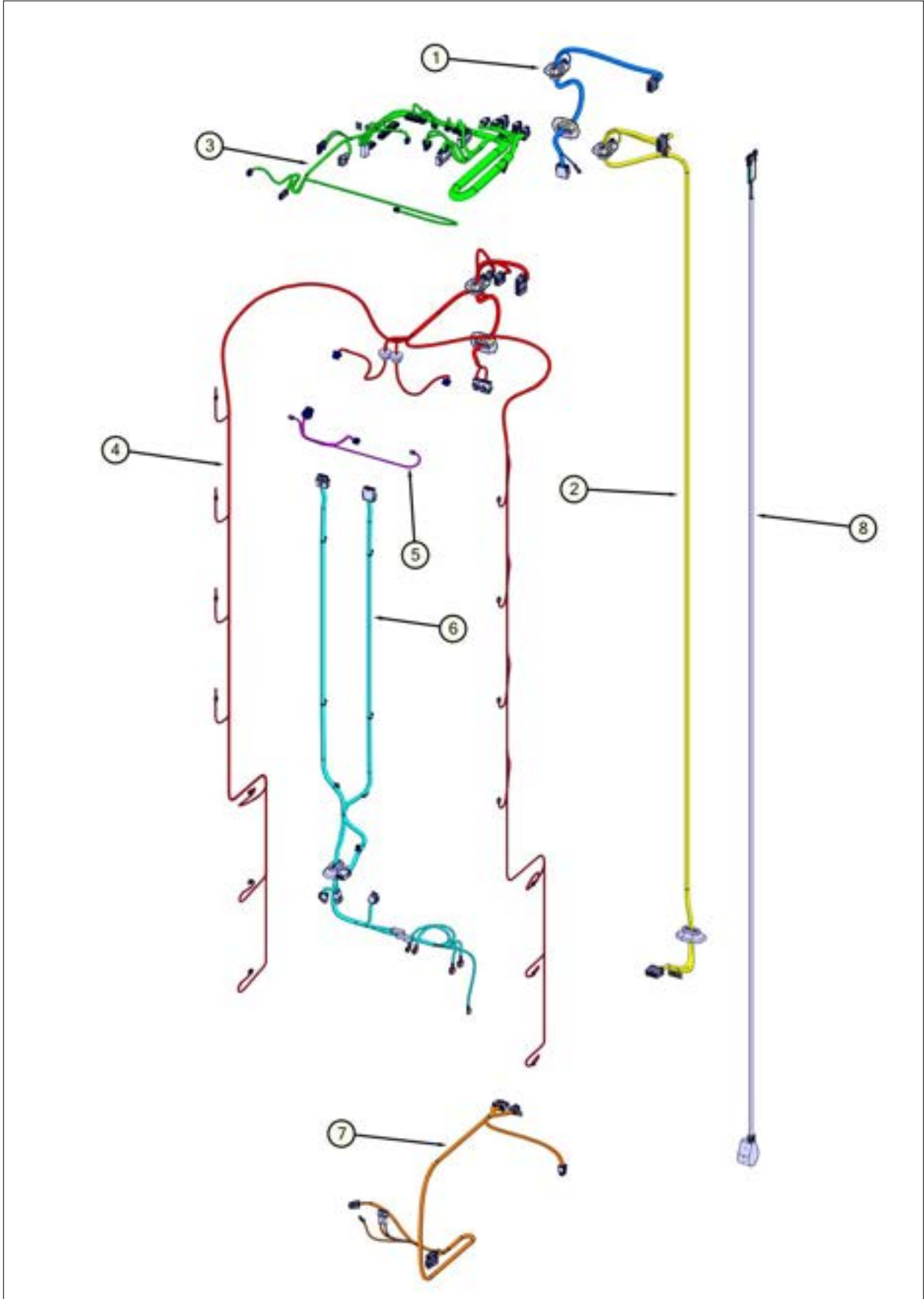






Item	Part No.	Name	Qty	Uom	NOTES
1	060989-000	ICEMAKER, ASM, AF COLUMN 7 SERIES	1	EA	
2	061400-000	WATER LINE, INLET, 7 SERIES	1	EA	
3	060263-000	DRAIN, CLAMP, 7 SERIES	1	EA	
4	069160-000	TUBE, P-TRAP, DRAIN, VENT, COLUMNS 7 SERIES	1	EA	
5	063841-000	DRAIN, WATER FILTER PAN ASSY, 24 COLIMN 7 SERIES	1	EA	
6	064978-000	TOOL, WATER FILTER, 7 SERIES	1	EA	
7	PA070016	VALVE WATER SINGLE DISP, FAMILY	1	EA	
8	066521-000	WATER, FILTER, BRACKET, ASM, COLUMNS 7 SERIES	1	EA	
9	057498-000	FILTER, CARTRIDGE, WATER, BM 7 SERIES	1	EA	
10	057883-000	FLANGE, NUT, WATER FILTER, BM 7 SERIES	2	EA	
11	058451-000	MANIFOLD, WATER FILTER	1	EA	
12	066798-601	VALVE, ICEMAKER, 110/120VAC 18", 24" FZ COLUMN	1	EA	
13	063729-000	FILTER & VALVE ASSY, COLUMNS 7 SERIES	1	EA	
14	068113-000	VALVE, CHECK, DRAIN, ASM	1	EA	
15	071615-000	CLAMP, TNSN, 7/8" PTRAP	1	EA	

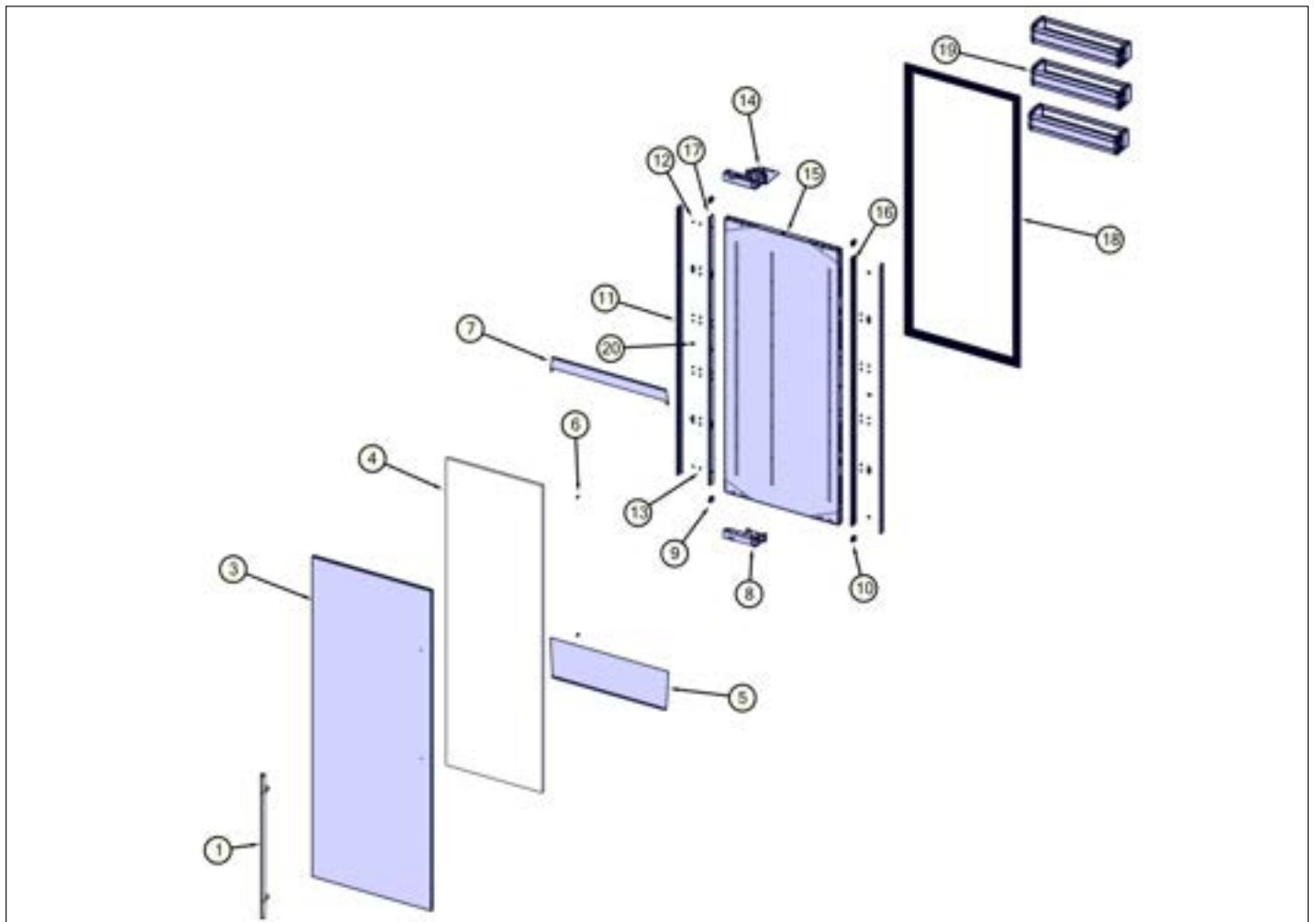
Electrical View





Item	Part No.	Name	Qty	Uom	NOTES
1	068566-000	HARN, AF 30/36, AC	1	EA	
2	063717-000	HARN, CO, CONTROL, TO MC (AR/AF)	1	EA	
3	068522-000	HARN, VFI7, CONTROL	1	EA	
4	068550-000	HARN, AF 30/36. DC	1	EA	
5	065484-000	HARN, CO, UI	1	EA	
6	068554-000	HARN, AF, INER LINER	1	EA	
7	065483-000	HARN, AF 30/36, MACHINE	1	EA	
8	059105-000	CORD, PWR, BM, LEAD TERMINALS	1	EA	

Door View





Item	Part No.	Name	Qty	Uom	NOTES
1	061701-000	HANDLE, 7 SERIES, BM FF ASSY	1	EA	
3	071921-000	SKIN, DOOR, SST, L, VIRTUOSO, COLUMNS 30 7 SERIES	1	EA	
4	065696-000	INSL, DOOR SKIN, COLUMN 30 7 SERIES	1	EA	
5	065633-000	COVER FNSH, BOT, DOOR, COLUMN 30" 7 SERIES	1	EA	
6	035647-000	BOLT, FASTENER, HXH, SST	2	EA	
7	065631-000	COVER, FINISH, TOP, DOOR, COLUMN 30" 7 SERIES	1	EA	
8	062072-000	BOTTOM, HINGE, LH, ASM, BM 7 SERIES	1	EA	
9	062115-000	CAP, END, DOOR TRIM, RH	2	EA	
10	062095-000	CAP, END, DOOR TRIM	2	EA	
11	061295-000	COVER, CHNL, TRIM, DOOR, COLUMNS 7 SERIES	1	EA	
12	062978-000	FASTENER, SCR, 8-15 X 1/2 TORX ROUND HEAD ZPS	18	EA	
13	066678-000	FSTNR, WSHR, FLAT, SST, .625	20	EA	
14	062071-000	TOP HINGE, LH, ASM, BM 7 SERIES	1	EA	
NI	058225-000	FF, DOOR SWITCH, BM 7 SERIES	1	EA	
15	067828-000	DOOR FOAMED, LH, COLUMN 30 7 SERIES	1	EA	
16	067315-000	C CHNL, EXTR, DOOR, R, COLUMNS 7 SERIES PH2	1	EA	
17	067316-000	C CHNL, EXTR, DOOR, L, COLUMNS 7 SERIES PH2	1	EA	
18	065242-000	GSKT, DOOR, ASSY, 30" COLUMN 7 SERIES	1	EA	
19	065334-000	DOOR BIN, ASSY, COLUMN 30 7 SERIES	3	EA	
20	061687-000	ECCENTRIC THIN SPACER, SCREW, ASM	6	EA	



Appendix A:Pages Index

Cab Bottom View ..... 2  
Cab Front View ..... 1  
Control View ..... 5  
Door View ..... 8  
Electrical View ..... 7  
Interior Shelving View ..... 4  
Lo Side Asm View ..... 3  
Water System View ..... 6



Appendix B:Parts Index

007301-000	3	062775-000	2
013397-000	5	062978-000	8
014399-000	5	063269-501	5
030926-000	2	063501-000	5
035647-000	8	063717-000	7
042764-000	4	063729-000	6
042766-000	5	063841-000	6
046358-000	4	063923-000	2
050844-000	3	063926-000	2
053520-000	5	064288-000	2
053541-000	5	064610-000	3
053739-000	2	064612-000	3
054917-601	2	064614-000	4
055051-000	2	064616-000	4
055054-000	2	064622-000	3
056228-000	3	064624-000	3
057498-000	6	064797-000	1
057813-000	3	064978-000	6
057883-000	6	065242-000	8
058225-000	8	065257-000	2
058451-000	6	065262-000	3
058535-000	3	065273-000	2
059105-000	7	065334-000	8
059487-000	5	065345-000	5
059650-000	3	065367-000	5
059774-000	5	065369-000	5
060129-000	2	065424-000	5
060263-000	6	065440-000	4
060989-000	6	065445-000	4
061164-000	5	065468-000	2
061278-000	3	065483-000	7
061295-000	8	065484-000	7
061400-000	6	065631-000	8
061613-000	5	065633-000	8
061687-000	8	065660-000	2
061701-000	8	065696-000	8
062071-000	8	065713-000	2
062072-000	8	065913-000	2
062095-000	8	065914-000	2
062115-000	8	066294-000	3
		066310-000	3



066521-000	6	10547001	2
066587-000	5	C8983701	3
066678-000	8	M0210458	5
066702-000	2	PA070016	6
066705-000	2	PD020010	5
066798-601	6	PD020013	5
066905-000	3	PD020194	3, 5
067036-000	2	PD920161	3
067037-000	2	PD950012	3
067109-000	3	PD950013	3, 4
067299-000	4	PE950149	5
067315-000	8	f2097740	2
067316-000	8		
067436-000	2		
067439-000	2		
067828-000	8		
067873-000	5		
068113-000	6		
068507-000	2		
068522-000	7		
068550-000	7		
068554-000	7		
068566-000	7		
068684-501	5		
068933-000	2		
069152-000	3		
069153-601	3		
069160-000	6		
069584-006	4		
069586-006	4		
069620-000	5		
069792-000	5		
070487-000	5		
071244-000	3		
071615-000	6		
071771-006	4		
071921-000	8		
072145-000	2		
072399-000	4		
072400-000	4		
072594-000	2		