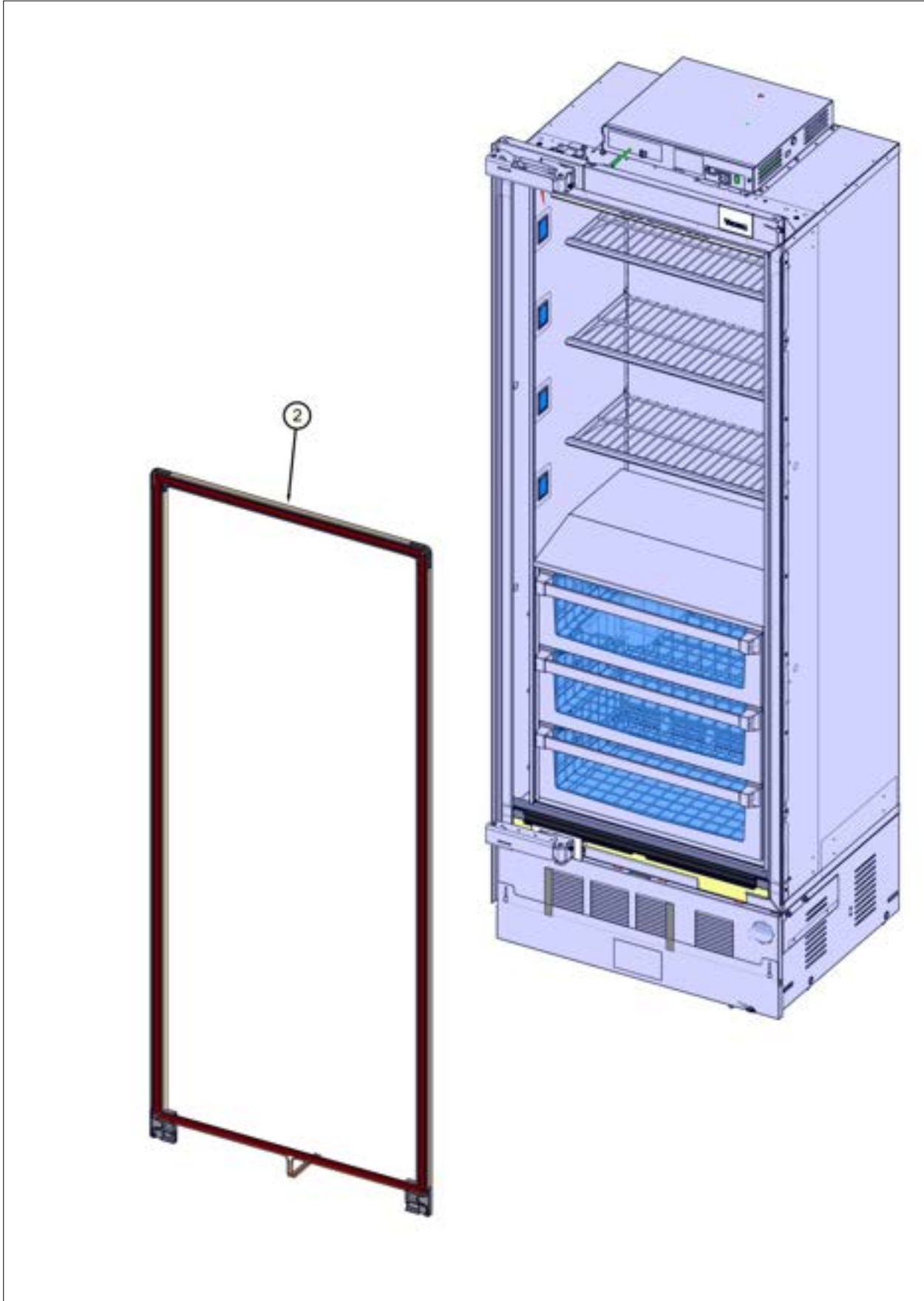


MVFI7300WR

Cab Front View	1
Cab Bottom View	2
Electrical View	3
Interior Shelving View	4
Lo Side Asm View	5
Water System View	6
Control View	7
Decor View	8
Door View	9
Appendix A:Pages Index	A
Appendix B:Parts Index	B

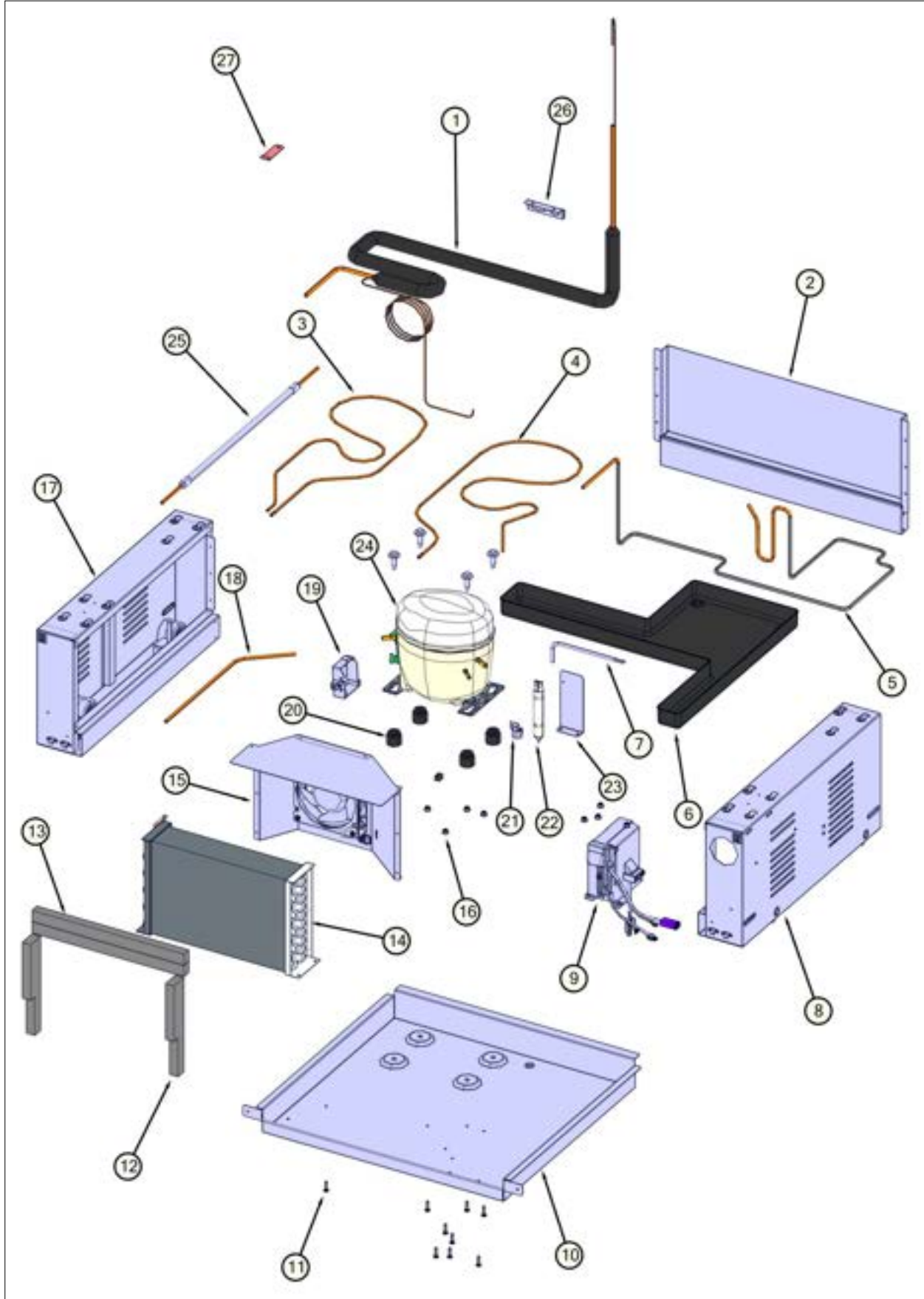
Cab Front View





Item	Part No.	Name	Qty	Uom	NOTES
2	064797-000	MAG & EXTRN, ASSY, COLUMN 30 7 SERIES (NON- SERVICEABLE PART)	1	EA	

Cab Bottom View



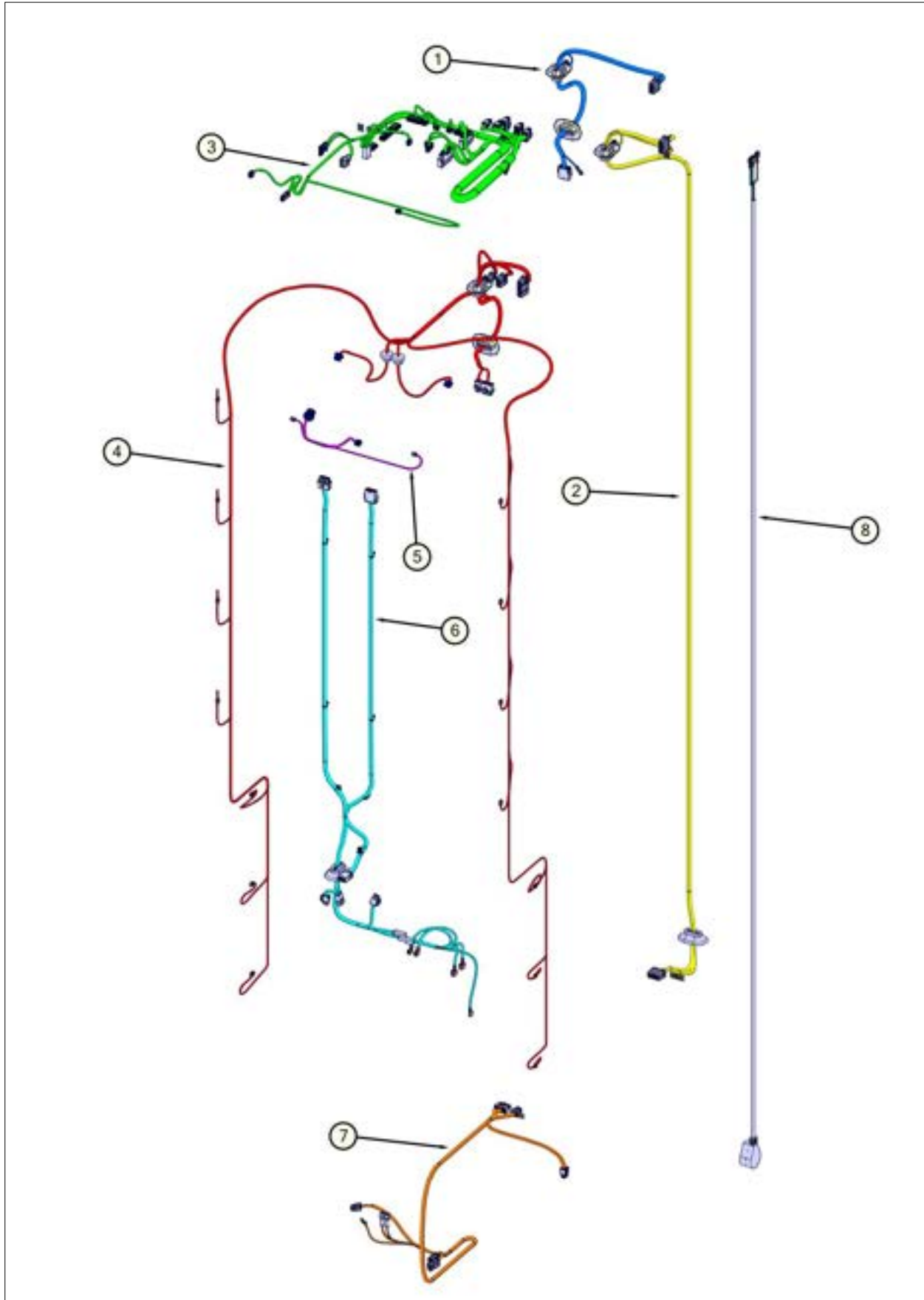


Item	Part No.	Name	Qty	Uom	NOTES
1	065914-000	HE, TBG, ASSY, COLUMN 30/36 AF 7 SERIES	1	EA	
2	065257-000	MC, REAR PANEL, ASSY, COLUMN 30 7 SERIES	1	EA	
3	067037-000	LOOP, OMEGA, HOT LOOP, OUTLET, AF 24	1	EA	
4	067036-000	LOOP, OMEGA, HOT LOOP, EXIT, AF 24	1	EA	
5	065913-000	LINE, DSCH, CNDR, COLUMN 30 AF 7 SERIES	1	EA	
6	065468-000	PAN, MC, DRAIN, COLUMN 30 7 SERIES	1	EA	
7	f2097740	TUBE PROCESS	1	EA	
8	066702-000	HSG, R, MC ASSY, 7 SERIES	1	EA	
9	054917-601	INVERTER, CMPR, FREEZER, 7 SERIES BM/COLUMNS	1	EA	
10	065273-000	MOBILITY TRAY, MC, COLUMN 30" 7 SERIES	1	EA	
11	055051-000	STUD, #10-32, 5/8, MC, MOBILITY, TRAY, BM 7 SERIES	1	EA	
12	068507-000	FOAM, BAF, KPL, CNDR, COLUMN 7 SERIES	2	EA	
13	067439-000	FOAM, BAF, CNDR, COLUMN 30/36 7 SERIES	2	EA	
14	065660-000	CNDR, COLUMN 30 36 7 SERIES	1	EA	
15	065713-000	CNDR FAN, SPRT, ASSY, COLUMN 30/36 7 SERIES	1	EA	
16	055054-000	STUD, NUT, #10-32, MC, BM 7 SERIES	9	EA	
17	066705-000	HSG, L, MC, ASSY, 7 SERIES	1	EA	
18	067436-000	TUBE, PRCS, LOW SIDE, COLUMN 30& 36 AF 7 SERIES	1	EA	
19	060129-000	COMPRESSOR, CVR, 7 SERIES	1	EA	
20	053739-000	GROMMET, CMPR, BM 7 SERIES	4	EA	
21	10547001	CLIP-DRIER V10547001	1	EA	
22	030926-000	DRIER - HIGH SIDE	1	EA	
23	063926-000	BRKT, DRYER, COLUMN 7 SERIES	1	EA	
24	062775-000	VEGD 8H COMPRESSOR	1	EA	



Item	Part No.	Name	Qty	Uom	NOTES
25	063923-000	FLEX LINE 7 SERIES	1	EA	
26	064288-000	BRKT, CONN, MC, COLUMN 7 SERIES	1	EA	
27	068933-000	BRKT, BREAKER FRAME, 7 SERIES	1	EA	

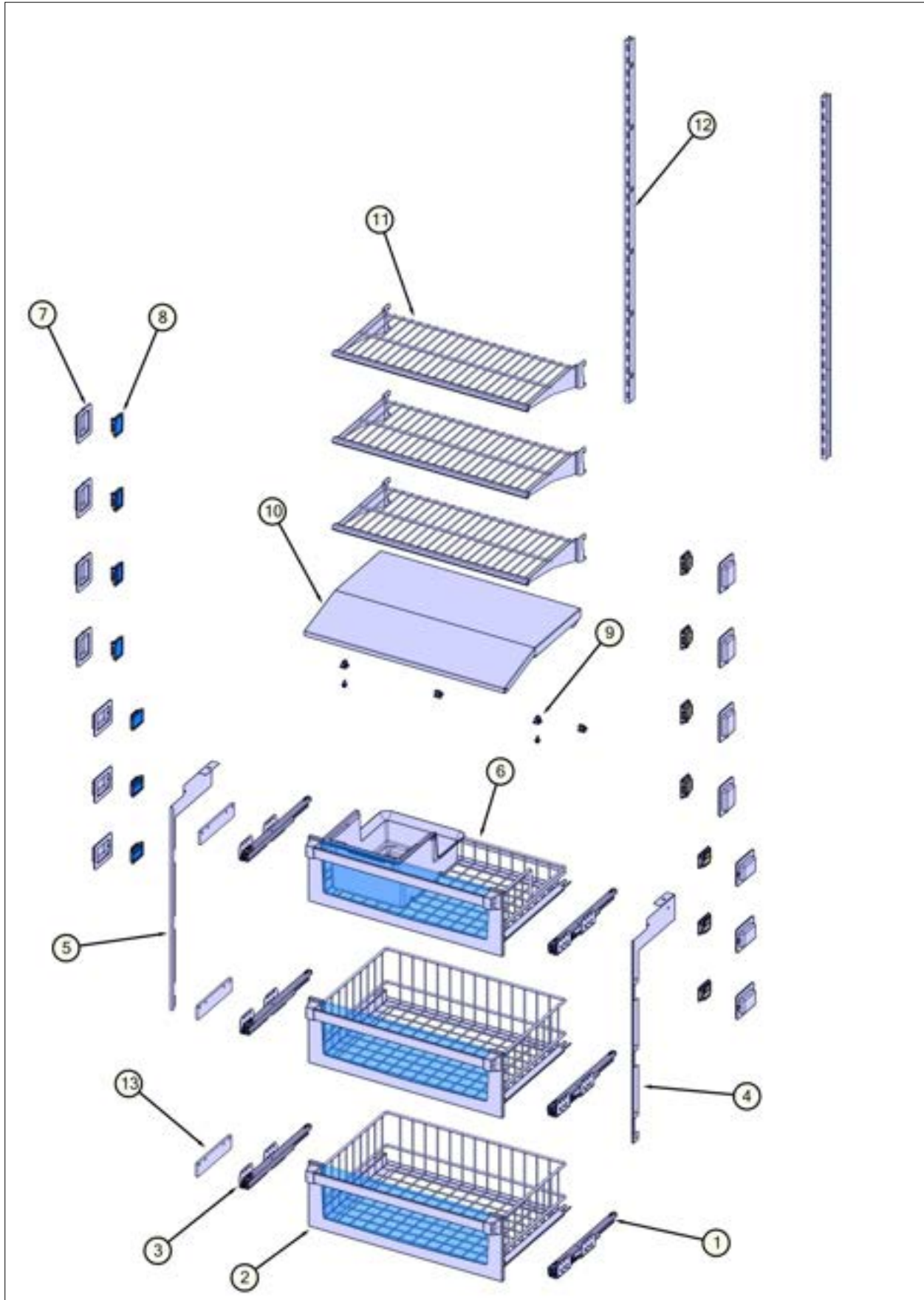
Electrical View





Item	Part No.	Name	Qty	Uom	NOTES
1	068566-000	HARN, AF 30/36, AC	1	EA	
2	063717-000	HARN, CO, CONTROL, TO MC (AR/AF)	1	EA	
3	068522-000	HARN, VFI7, CONTROL	1	EA	
4	068550-000	HARN, AF 30/36. DC	1	EA	
5	065484-000	HARN, CO, UI	1	EA	
6	068554-000	HARN, AF, INER LINER	1	EA	
7	065483-000	HARN, AF 30/36, MACHINE	1	EA	
8	059105-000	CORD, PWR, BM, LEAD TERMINALS	1	EA	

Interior Shelving View





Item	Part No.	Name	Qty	Uom	NOTES
1	072400-000	SLIDE DWR, FZ/RF, RH	3	EA	
2	065440-000	DWR, ASSY, COLUMN 30 AF 7 SERIES	2	EA	
3	072399-000	SLIDE DWR, FZ/RF, LH	3	EA	
4	069587-006	BRKT, EXTND, IM COVER, HDL SIDE, RH, AF COLUMN 7 SERIES	1	EA	
5	069585-006	BRKT, EXTND, IM COVER, HNG SIDE, RH, AF COLUMN 7 SERIES	1	EA	
6	065445-000	DWR, IM, ASSY, COLUMN 30 AF 7 SERIES	1	EA	
7	046358-000	LED CUP ASSY (3) (NON-SERVICEABLE PART)	14	EA	
8	042764-000	LED LIGHT, 3-POINT	14	EA	
9	PD950013	LATCH PANEL ACCESS	12	EA	
10	064614-000	COVER, ICEMAKER, 30 AF COLUMN 7 SERIES	1	EA	
11	064616-000	SHELF, WIRE, ASM, 30" AF 7 SERIES	3	EA	
12	071771-006	LADDER, COLUMN, 7 SERIES	2	EA	
13	067299-000	SPACER, SLIDE, CRISPER, SD, HINGE	3	EA	

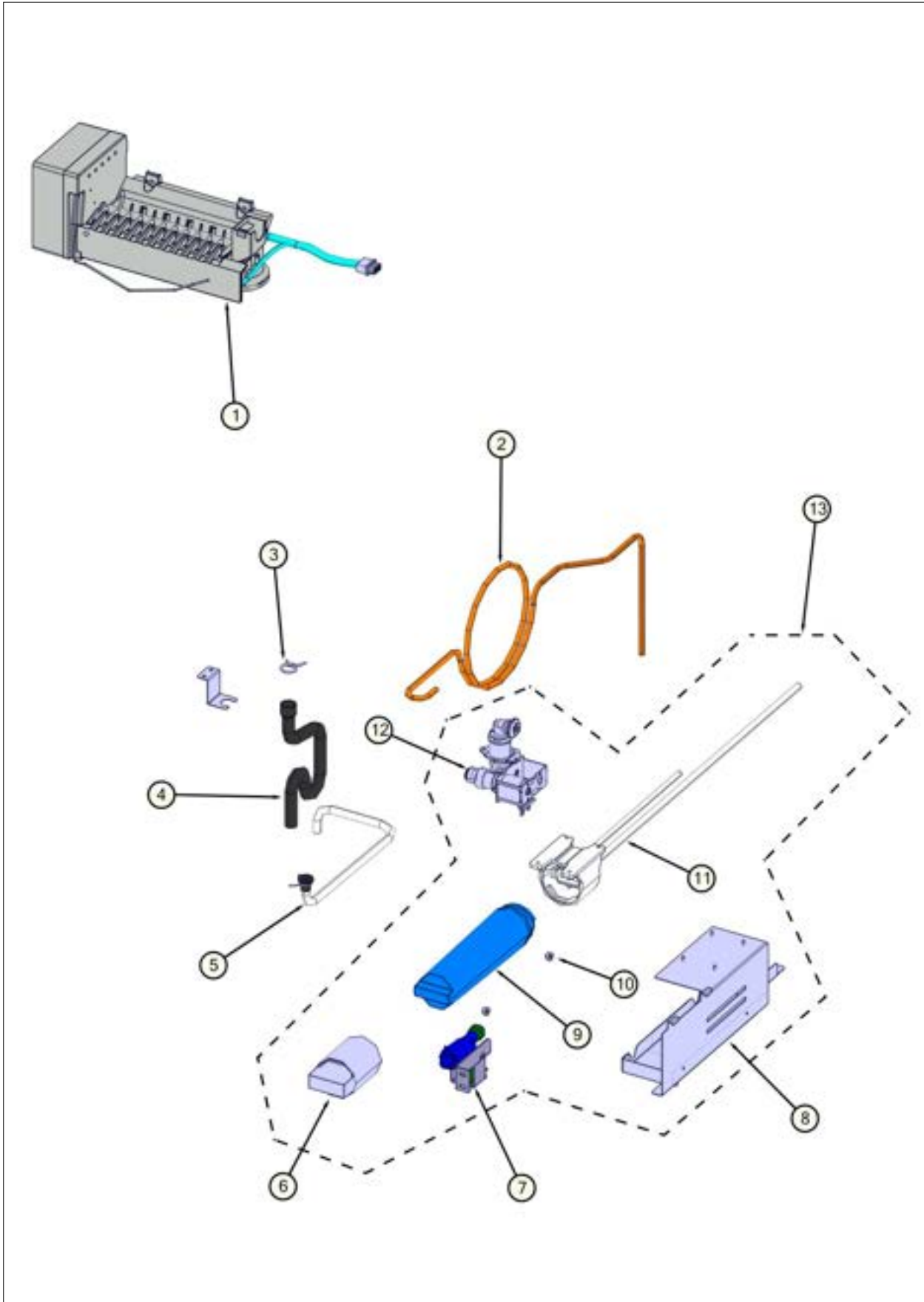


Item	Part No.	Name	Qty	Uom	NOTES
1	066294-000	SPRT, ICMKR, COLUMN 30" AF 7 SERIES	1	EA	
2	PD020194	SCR, HEX SRTD WSHR HD, #8-18 X 1/2	8	EA	
3	067109-000	BRKT, SPRT, FAN, COLUMN 30" AF 7 SERIES	1	EA	
4	050844-000	COVER, THERMISTOR, FF	1	EA	
5	066310-000	FAN, EVAP, FZ, COLUMN 7 SERIES ASSY	2	EA	
6	056228-000	GASKET, MOUNT, FAN, LARGE, AR 36	2	EA	
7	007301-000	GROMMET, RUBBER	8	EA	
8	057813-000	FRESH FOOD, FAN, BOX, BM 7 SERIES	2	EA	
9	064610-000	FAN, COVER, 30" 7 SERIES	1	EA	
10	064612-000	LOUVER, FAN, COVER, 30" 7 SERIES	3	EA	
11	PD950012	STRIKE PANEL ACCESS	4	EA	
12	065262-000	FAN, COVER, ASSY, COLUMN 30 7 SERIES	1	EA	
13	PD950013	LATCH PANEL ACCESS	4	EA	
14	064624-000	COVER, EVAP, COLUMN 30 AF 7 SERIES	1	EA	
15	PD920161	SCR 8-16 PLASTITE PNP 3/8 S	2	EA	
16	C8983701	THERMISTOR	1	EA	
17	069153-601	HTR, FZ, DFRT, COLUMN 30/36 AF 7 SERIES	1	EA	
18	066905-000	HARN, VFI7, INNER LINER	1	EA	
19	069152-000	EVAP, INTEG HTR, COLUMN 30/36 AF 7 SERIES	1	EA	
Not Shown	NOTE	(ORDER 058535-000 THERMISTOR WHEN REPLACING EVAP)		EA	
20	061278-000	CABINET, PREFOAM COMPONENTS, COLUMNS, AF 7 SERIES	1	EA	
21	064622-000	BOTTOM, EVAP, COVER, 30" AF 7 SERIES	1	EA	
22	058535-000	EVAP, THERMISTOR, 7 SERIES	1	EA	



Item	Part No.	Name	Qty	Uom	NOTES
Comments for Part Num. 058535-000					
gboltz@VikingRange.com on Jun 10, 2019					
Order 066362-000 foil tape with thermistor for isolating dis-similar metals.					
23	059650-000	THERMOSTAT, SNAP ACTION, 75 OPEN, 45 CLOSE	1	EA	

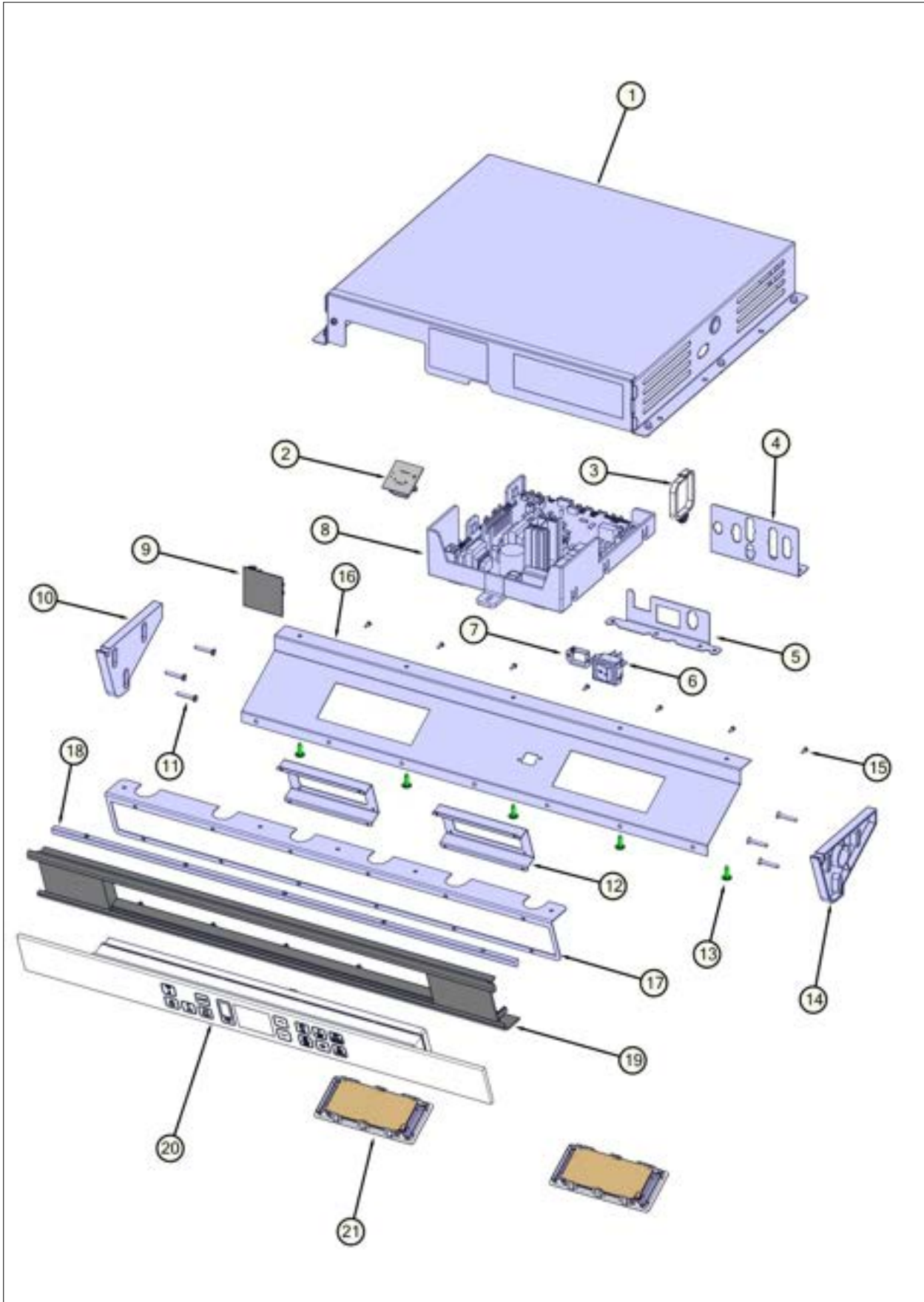
Water System View





Item	Part No.	Name	Qty	Uom	NOTES
1	060989-000	ICEMAKER, ASM, AF COLUMN 7 SERIES	1	EA	
2	061400-000	WATER LINE, INLET, 7 SERIES	1	EA	
3	060263-000	DRAIN, CLAMP, 7 SERIES	1	EA	
4	069655-000	TUBE, P-TRAP, DRAIN, VENT, COLUMNS 7 SERIES AR	1	EA	
5	063841-000	DRAIN, WATER FILTER PAN ASSY, 24 COLIMN 7 SERIES	1	EA	
6	064978-000	TOOL, WATER FILTER, 7 SERIES	1	EA	
7	PA070016	VALVE WATER SINGLE DISP, FAMILY	1	EA	
8	066521-000	WATER, FILTER, BRACKET, ASM, COLUMNS 7 SERIES	1	EA	
9	057498-000	FILTER, CARTRIDGE, WATER, BM 7 SERIES	1	EA	
10	057883-000	FLANGE, NUT, WATER FILTER, BM 7 SERIES	2	EA	
11	058451-000	MANIFOLD, WATER FILTER	1	EA	
12	066798-601	VALVE, ICEMAKER, 110/120VAC 18", 24" FZ COLUMN	1	EA	
13	063729-000	FILTER & VALVE ASSY, COLUMNS 7 SERIES	1	EA	

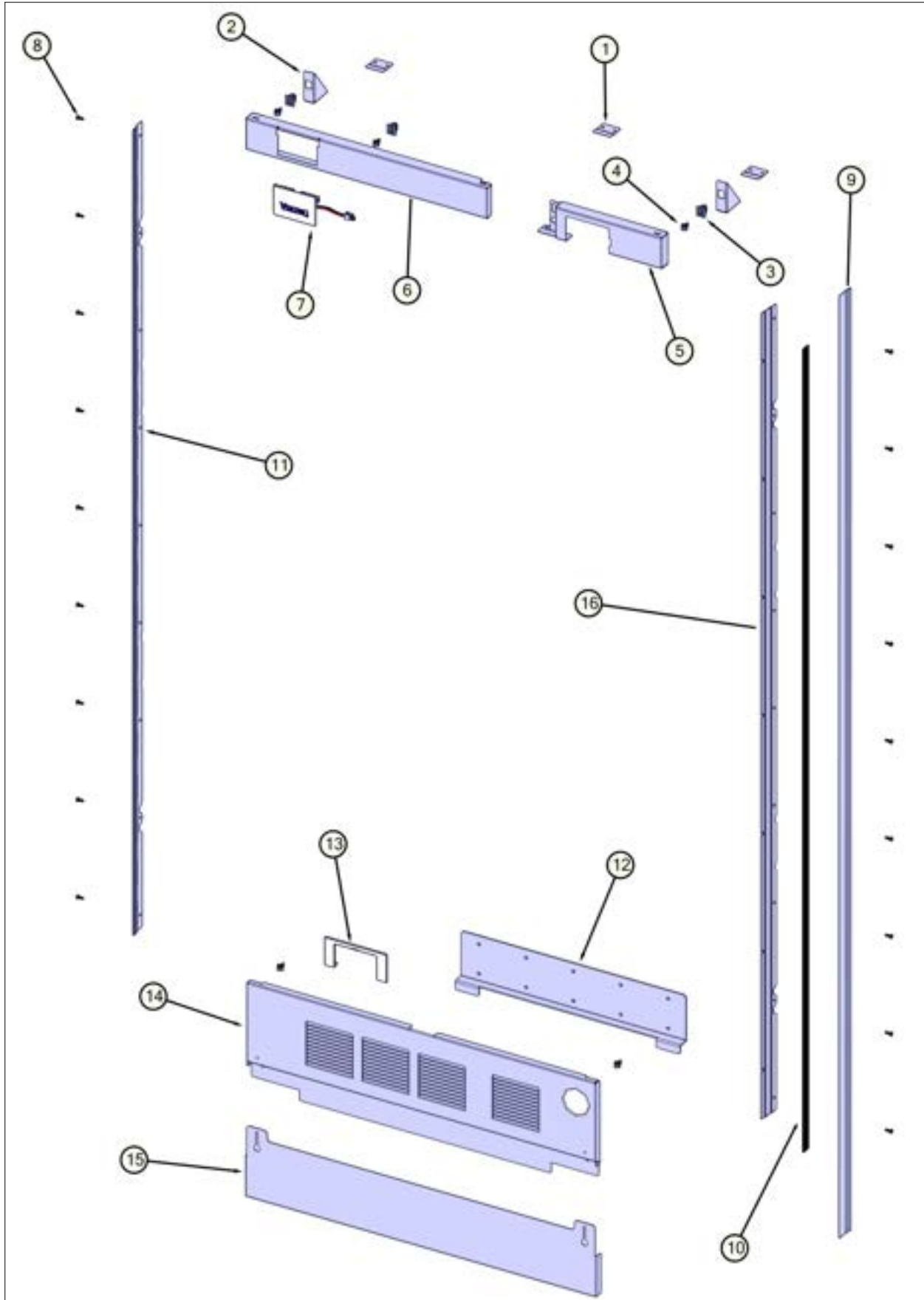
Control View





Item	Part No.	Name	Qty	Uom	NOTES
1	063609-000	COVER, TOP, ASSY, COLUMN 7 SERIES	1	EA	
2	059487-000	USB, PCB, GND, REF 7 SERIES	1	EA	
3	061164-000	SADDLE, LARGE	1	EA	
4	063501-000	BRKT, PNL, MT, CON, COLUMN 7 SERIES	1	EA	
5	063683-000	BRKT, ON/OFF SW, COLUMN 7 SERIES	1	EA	
6	PE950149	SWITCH POWER	1	EA	
7	059774-000	SADDLE, EDGE, LOCKING	1	EA	
8	070487-000	7 SERIES COLUMN BOARD KIT	1	EA	
9	063269-501	MODULE, NIC, V01 (SEE 063269-FAM)	1	EA	
10	053520-000	ENDCAP, HOUSING, TOP UI, LEFT	1	EA	
11	013397-000	1" PAINTED LADDER SCREW	6	EA	
12	062107-000	BRKT, MOUNT, UPPER UI, 24" 7 SERIES	2	EA	
13	M0210458	SCR 8-18 X 5/8 WAFER PH SMS	5	EA	
14	053541-000	ENDCAP, HOUSING, TOP UI, RIGHT	1	EA	
15	PD020013	TYPE "AB" #6 X 3/8 PH PAN HD. SMS	7	EA	
16	065345-000	BACK, PNL, TOP UI, COLUMN 30 7 SERIES	1	EA	
17	065369-000	BRKT, HSG, TOP UI, COLUMN 30 7 SERIES	1	EA	
18	065424-000	GSKT, HSG, TOP UI, COLUMN 30 7 SERIES	1	EA	
19	065367-000	HSG, TOP UI, COLUMN 30 7 SERIES	1	EA	
20	068684-501	UI, MAIN, CTRL, ASSY, COLUMN 30 AF 7 SERIES	1	EA	
21	042766-000	LED LIGHT, 8-POINT	2	EA	

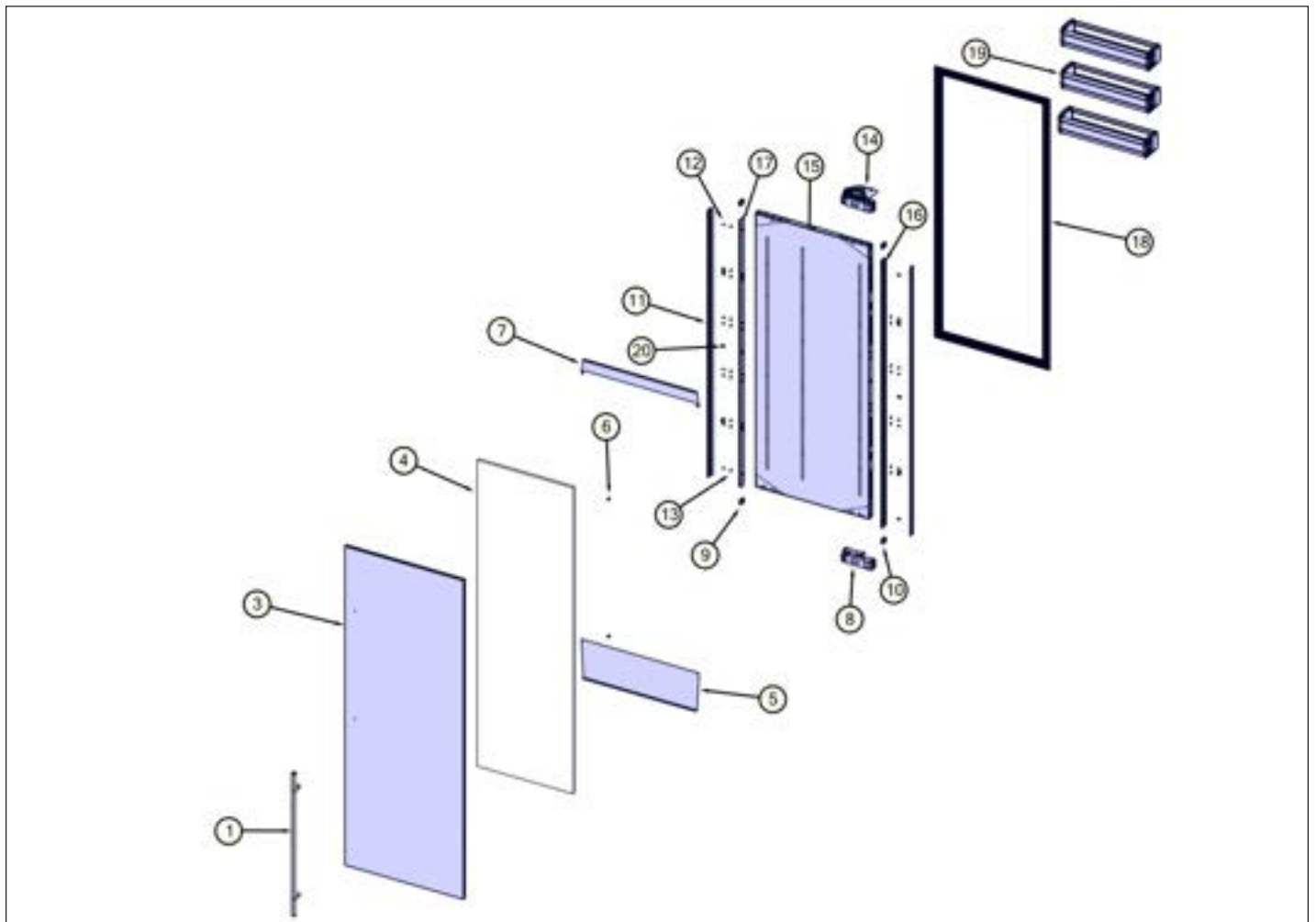
Decor View





Item	Part No.	Name	Qty	Uom	NOTES
1	059043-000	BRACKET, TOP, FRONT TRIM, BM 7 SERIES	3	EA	
2	058677-000	BRACKET, SNAP FEAT, TOP TRIM, RH, BM 7 SERIES	2	EA	
3	PD950013	LATCH PANEL ACCESS	2	EA	
4	PD950012	STRIKE PANEL ACCESS	2	EA	
5	062702-000	TOP TRIM, HINGE SIDE, RH, 36 BM 7 SERIES	1	EA	
6	065617-000	TRIM, TOP, LOGO, SIDE, RH, 30" COLUMN 7 SERIES	1	EA	
7	070306-603	LIGHT, LOGO, ASM, 7 SERIES-WHITE W/HARNESS	1	EA	
8	062978-000	FASTENER, SCR, 8-15 X 1/2 TORX ROUND HEAD ZPS	20	EA	
9	067217-000	TRIM, FINISH, SIDE, MAGNET	1	EA	
10	067221-000	MAGNET, TRIM, 7 SERIES	1	EA	
11	064531-000	TRIM, CONNECTING, BM 7 SERIES	1	EA	
12	065421-000	BRKT, ANTI-TIP, COLUMN 30 7 SERIES	1	EA	
13	067578-000	CVR, HNG, BOT, COLUMNS, ASSY 7 SERIES	1	EA	
14	065572-000	ACS PNL, MC, COLUMN, 30" 7 SERIES	1	EA	
15	065576-000	KICKPLATE, COLUMNS, 30" 7 SERIES	1	EA	
16	073023-000	BKT, TRIM, MAGNET, 7 SERIES	1	EA	

Door View





Item	Part No.	Name	Qty	Uom	NOTES
1	061701-000	HANDLE, 7 SERIES, BM FF ASSY	1	EA	
3	071868-000	SKIN, DOOR, SST, R, VIRTUOSO, COLUMN 30 7 SERIES	1	EA	
4	065696-000	INSL, DOOR SKIN, COLUMN 30 7 SERIES	1	EA	
5	065633-000	COVER FNSH, BOT, DOOR, COLUMN 30" 7 SERIES	1	EA	
6	035647-000	BOLT, FASTENER, HXH, SST	4	EA	
7	065631-000	COVER, FINISH, TOP, DOOR, COLUMN 30" 7 SERIES	1	EA	
8	057885-000	BOTTOM, HINGE, RH, ASM, BM 7 SERIES	1	EA	
9	062115-000	CAP, END, DOOR TRIM, RH	2	EA	
10	062095-000	CAP, END, DOOR TRIM	2	EA	
11	061295-000	COVER, CHNL, TRIM, DOOR, COLUMNS 7 SERIES	1	EA	
12	062978-000	FASTENER, SCR, 8-15 X 1/2 TORX ROUND HEAD ZPS	18	EA	
13	066678-000	FSTNR, WSHR, FLAT, SST, .625	20	EA	
14	057884-000	TOP, HINGE, RH, ASM, BM 7 SERIES	1	EA	
NI	058225-000	FF, DOOR SWITCH, BM 7 SERIES	1	EA	
15	064761-000	DOOR, FOAMED, RH, COLUMN 30 7 SERIES	1	EA	
16	067315-000	C CHNL, EXTR, DOOR, R, COLUMNS 7 SERIES PH2	1	EA	
17	067316-000	C CHNL, EXTR, DOOR, L, COLUMNS 7 SERIES PH2	1	EA	
18	065242-000	GSKT, DOOR, ASSY, 30" COLUMN 7 SERIES	1	EA	
19	065334-000	DOOR BIN, ASSY, COLUMN 30 7 SERIES	3	EA	
20	061687-000	ECCENTRIC THIN SPACER, SCREW, ASM	6	EA	



Appendix A:Pages Index

Cab Bottom View 2
Cab Front View 1
Control View 7
Decor View 8
Door View 9
Electrical View 3
Interior Shelving View 4
Lo Side Asm View 5
Water System View 6



Appendix B:Parts Index

007301-000	5	062115-000	9
013397-000	7	062702-000	8
030926-000	2	062775-000	2
035647-000	9	062978-000	8, 9
042764-000	4	063269-501	7
042766-000	7	063501-000	7
046358-000	4	063609-000	7
050844-000	5	063683-000	7
053520-000	7	063717-000	3
053541-000	7	063729-000	6
053739-000	2	063841-000	6
054917-601	2	063923-000	2
055051-000	2	063926-000	2
055054-000	2	064288-000	2
056228-000	5	064531-000	8
057498-000	6	064610-000	5
057813-000	5	064612-000	5
057883-000	6	064614-000	4
057884-000	9	064616-000	4
057885-000	9	064622-000	5
058225-000	9	064624-000	5
058451-000	6	064761-000	9
058535-000	5	064797-000	1
058677-000	8	064978-000	6
059043-000	8	065242-000	9
059105-000	3	065257-000	2
059487-000	7	065262-000	5
059650-000	5	065273-000	2
059774-000	7	065334-000	9
060129-000	2	065345-000	7
060263-000	6	065367-000	7
060989-000	6	065369-000	7
061164-000	7	065421-000	8
061278-000	5	065424-000	7
061295-000	9	065440-000	4
061400-000	6	065445-000	4
061687-000	9	065468-000	2
061701-000	9	065483-000	3
062095-000	9	065484-000	3
062107-000	7	065572-000	8
		065576-000	8



065617-000	8	071771-006	4
065631-000	9	071868-000	9
065633-000	9	072399-000	4
065660-000	2	072400-000	4
065696-000	9	073023-000	8
065713-000	2	10547001	2
065913-000	2	C8983701	5
065914-000	2	M0210458	7
066294-000	5	PA070016	6
066310-000	5	PD020013	7
066521-000	6	PD020194	5
066678-000	9	PD920161	5
066702-000	2	PD950012	5, 8
066705-000	2	PD950013	4, 5, 8
066798-601	6	PE950149	7
066905-000	5	f2097740	2
067036-000	2		
067037-000	2		
067109-000	5		
067217-000	8		
067221-000	8		
067299-000	4		
067315-000	9		
067316-000	9		
067436-000	2		
067439-000	2		
067578-000	8		
068507-000	2		
068522-000	3		
068550-000	3		
068554-000	3		
068566-000	3		
068684-501	7		
068933-000	2		
069152-000	5		
069153-601	5		
069585-006	4		
069587-006	4		
069655-000	6		
070306-603	8		
070487-000	7		