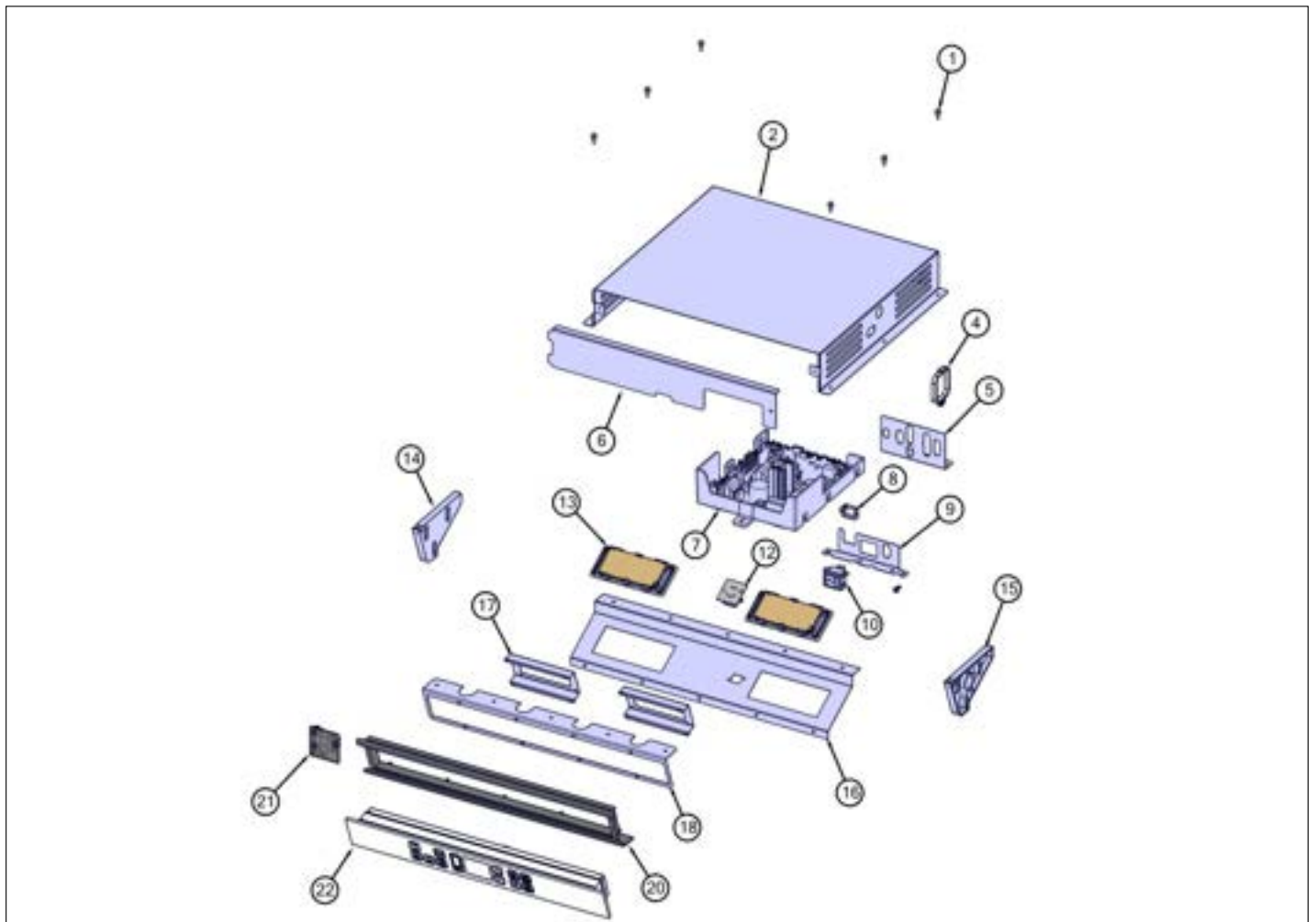


MVRI7240WLSS01

Control View	1
Bottom View	2
Door and Trim View	3
Hinge View	4
Water System View	5
Refrigeration System View	6
Wiring View	7
Interior View	8
Appendix A:Pages Index	A
Appendix B:Parts Index	B

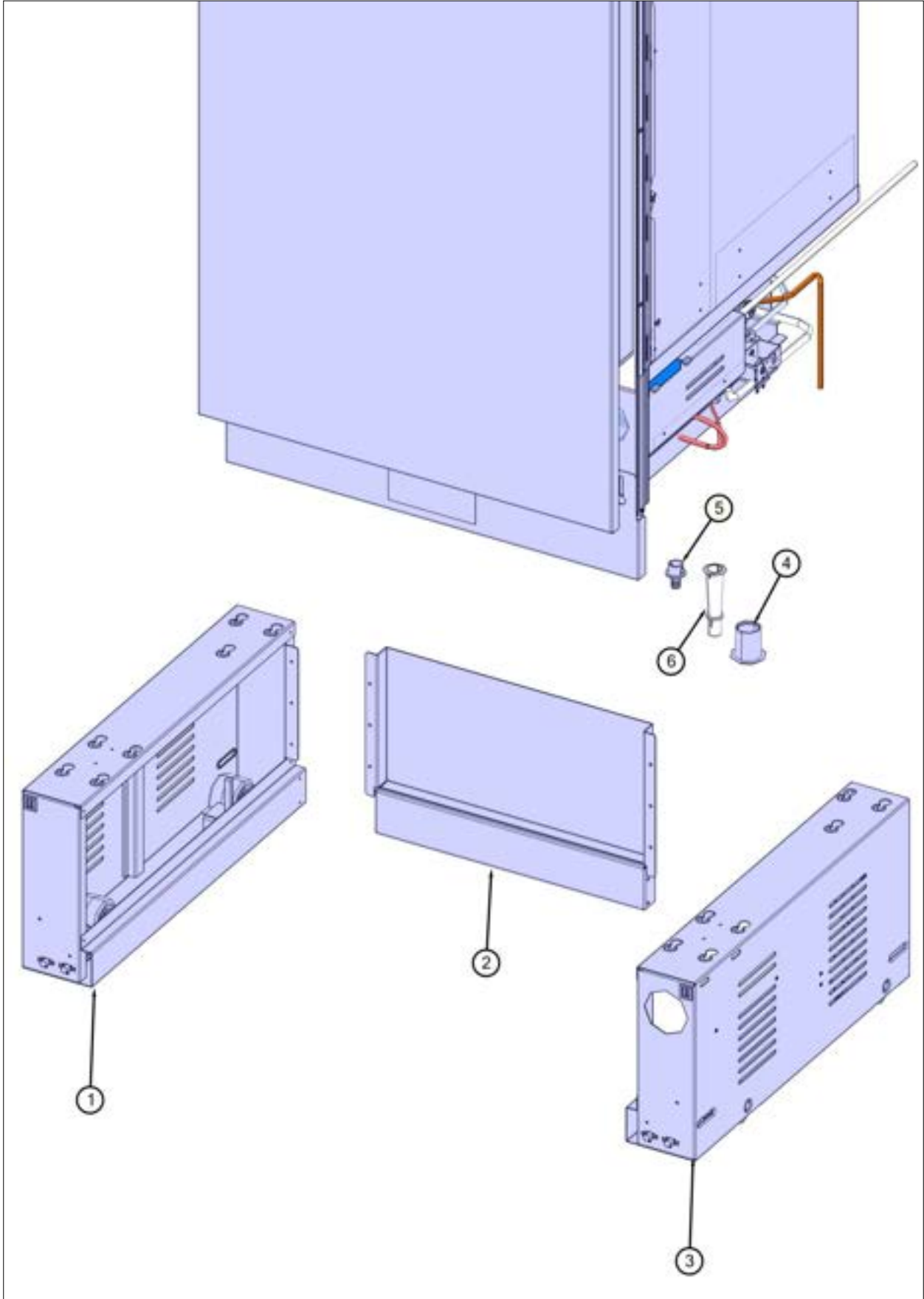
Control View





Item	Part No.	Name	Qty	Uom	NOTES
1	PD020194	SCR, HEX SRTD WSHR HD, #8-18 X 1/2	7	EA	
2	063608-000	COVER, TOP, COLUMN 7 SERIES	1	EA	
4	061164-000	SADDLE, LARGE	1	EA	
5	063501-000	BRKT, PNL, MT, CON, COLUMN 7 SERIES	1	EA	
6	072951-000	COVER, FR, CTRL, BD 7 SERIES	1	EA	
7	070487-000	7 SERIES COLUMN BOARD KIT	1	EA	
8	059774-000	SADDLE, EDGE, LOCKING	1	EA	
9	069792-000	BRKT, ON/OFF, SW, COLUMN, 7 SERIES W/USB	1	EA	
10	PE950149	SWITCH POWER	1	EA	
12	059487-000	USB, PCB, GND, REF 7 SERIES	1	EA	
13	042766-000	LED LIGHT, 8-POINT	2	EA	
14	053520-000	ENDCAP, HOUSING, TOP UI, LEFT	1	EA	
15	053541-000	ENDCAP, HOUSING, TOP UI, RIGHT	1	EA	
16	060364-000	BACK PANEL, TOP UI, 24" 7 SERIES	1	EA	
17	067873-000	BRKT, MOUNT, BREAK OUT, UPPER UI 7 SERIES	1	EA	
18	060366-000	BRKT, HSG, TOP UI, COLUMN 24" 7 SERIES	1	EA	
20	060363-000	HSG, TOP UI, COLUMN 24, 7 SERIES	1	EA	
21	063269-501	MODULE, NIC, V01 (SEE 063269-FAM)	1	EA	
22	060769-501	UI, MAIN CONTROL, ASM, 24" AR 7 SERIES	1	EA	
NI	014399-000	TAPE,FOAM,DBL SIDED	1	EA	

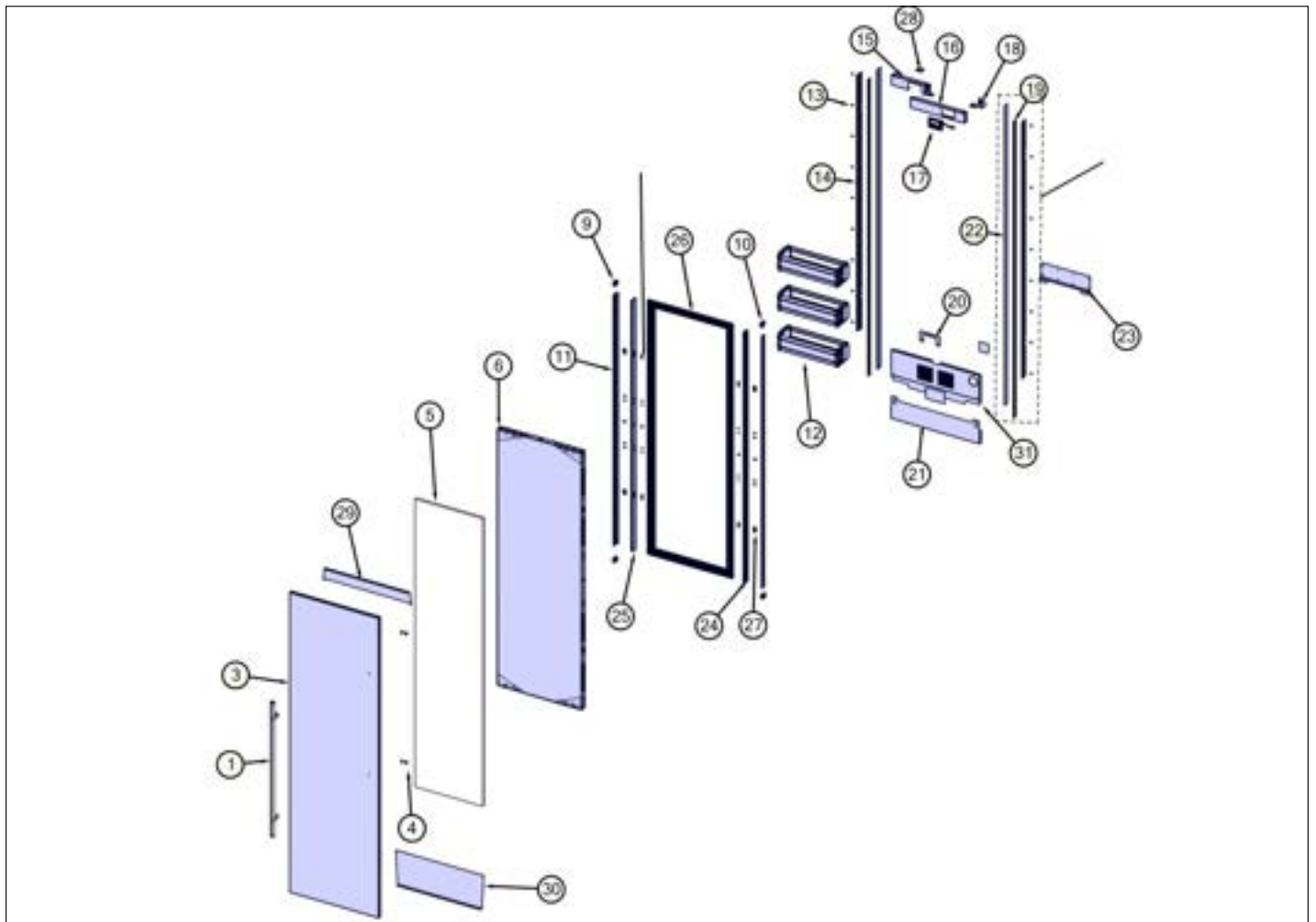
Bottom View





Item	Part No.	Name	Qty	Uom	NOTES
1	066705-000	HSG, L, MC, ASSY, 7 SERIES	1	EA	
2	060353-000	MC, REAR PANEL, ASM, 24" 7 SERIES	1	EA	
3	066702-000	HSG, R, MC ASSY, 7 SERIES	1	EA	
4	PK930321	TUNNEL AIR AF AR 30 36	1	EA	
5	068423-000	PASS THROUGH, BARBED, SNAP	1	EA	
6	060576-000	STANDOFF, SUMP, COLUMN 7 SERIES	1	EA	

Door and Trim View



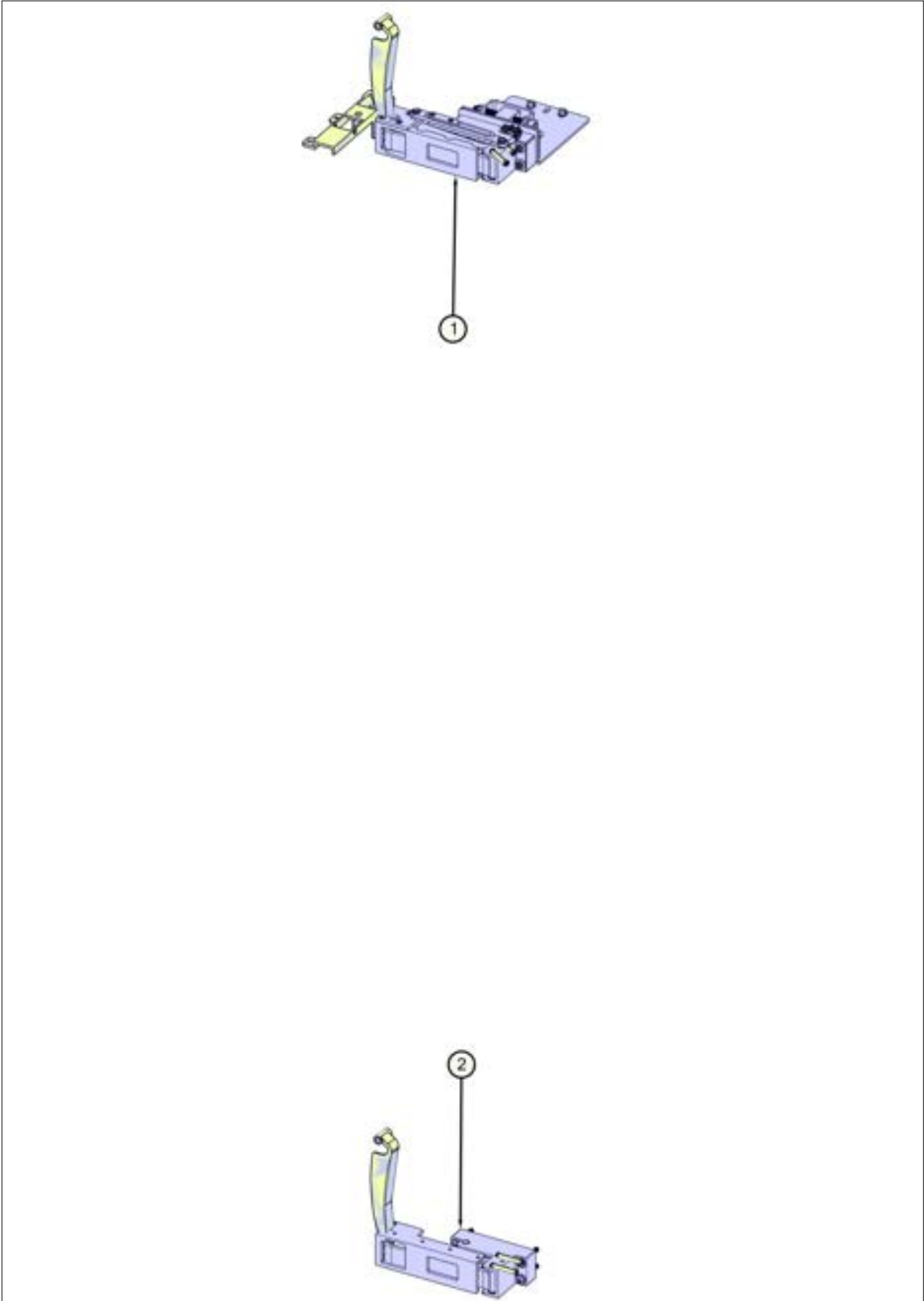


Item	Part No.	Name	Qty	Uom	NOTES
1	061701-000	HANDLE, 7 SERIES, BM FF ASSY	1	EA	
3	068624-000	SKIN, DOOR, SST, L, COLUMNS 24 VIRTUOSO 7 SERIES	1	EA	
Not Shown	NOTE	Must order ITEM #5 also when ordering this part		EA	
4	035647-000	BOLT, FASTENER, HXH, SST	4	EA	
5	061348-000	INSULATION, DOOR SKIN, 24" STYROFOAM, 7 SERIES	1	EA	
6	066620-000	DOOR FOAMED, LH, COLUMN 24 7 SERIES	1	EA	
9	062095-000	CAP, END, DOOR TRIM	2	EA	
10	062115-000	CAP, END, DOOR TRIM, RH	2	EA	
11	061295-000	COVER, CHNL, TRIM, DOOR, COLUMNS 7 SERIES	2	EA	
12	061067-000	DOOR, BIN, ASM, 24" 7 SERIES	3	EA	
13	062978-000	FASTENER, SCR, 8-15 X 1/2 TORX ROUND HEAD ZPS	32	EA	
14	073023-000	BKT, TRIM, MAGNET, 7 SERIES	2	EA	
Not Shown	NOTE	(ORDER ITEM 32)		EA	
15	062845-000	TOP TRIM, HINGE, SIDE, LH 36 BM 7 SERIES	1	EA	
16	063586-000	TRIM, TOP, LOGO SIDE, LH, 24 COLUMN 7 SERIES	1	EA	
17	070306-603	LIGHT, LOGO, ASM, 7 SERIES-WHITE W/HARNESS	1	EA	
18	058677-000	BRACKET, SNAP FEAT, TOP TRIM, RH, BM 7 SERIES	2	EA	
19	068842-000	MAGNET, TRIM, 7 SERIES	2	EA	
Not Shown	NOTE	(ORDER ITEM 32)		EA	
20	067578-000	CVR, HNG, BOT, COLUMNS, ASSY 7 SERIES	1	EA	
21	061345-000	KICKPLATE, COLUMNS 24" 7 SERIES	1	EA	
22	067217-000	TRIM, FINISH, SIDE, MAGNET	2	EA	
Not Shown	NOTE	(ORDER ITEM 32)		EA	
23	061349-000	BRKT, ANTI-TIP, COLUMN 24 7 SERIES	1	EA	



Item	Part No.	Name	Qty	Uom	NOTES
24	061293-000	C CHANNEL, EXTR, DOOR, R, COLUMNS 7 SERIES	1	EA	
25	061294-000	C CHANNEL, EXTR, DOOR, L, COLUMNS 7 SERIES	1	EA	
26	061698-000	GSKT, DOOR, ASSY, 24 COLUMN, 7 SERIES	1	EA	
27	061687-000	ECCENTRIC THIN SPACER, SCREW, ASM	6	EA	
28	059043-000	BRACKET, TOP, FRONT TRIM, BM 7 SERIES	2	EA	
29	063364-000	COVER FNISH, TOP, DOOR, COLUMN 24 7 SERIES	1	EA	
30	063365-000	COVER, FNISH, BOT, DOOR, COLUMN 24 7 SERIES	1	EA	
31	069929-000	ACS PNL, MC, COLUMN 24, 7 SERIES W/O NOTCH	1	EA	
32	068995-000	TRIM, SIDE, ASM, BM 7 SERIES	2	EA	
33	066678-000	FSTNR, WSHR, FLAT, SST, .625	16	EA	

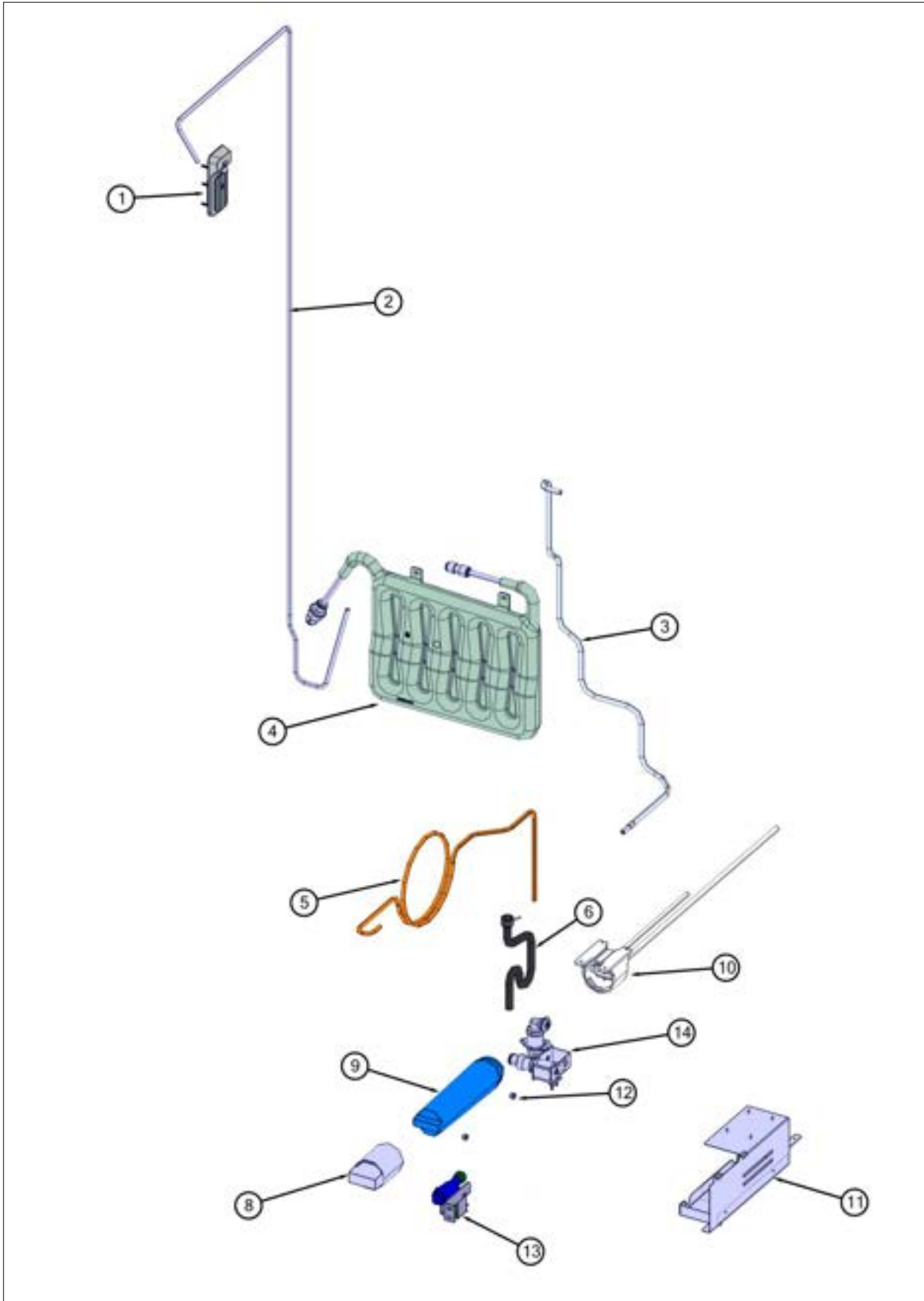
Hinge View





Item	Part No.	Name	Qty	Uom	NOTES
1	062071-000	TOP HINGE, LH, ASM, BM 7 SERIES	1	EA	
NI	058225-000	FF, DOOR SWITCH, BM 7 SERIES	1	EA	
2	062072-000	BOTTOM, HINGE, LH, ASM, BM 7 SERIES	1	EA	

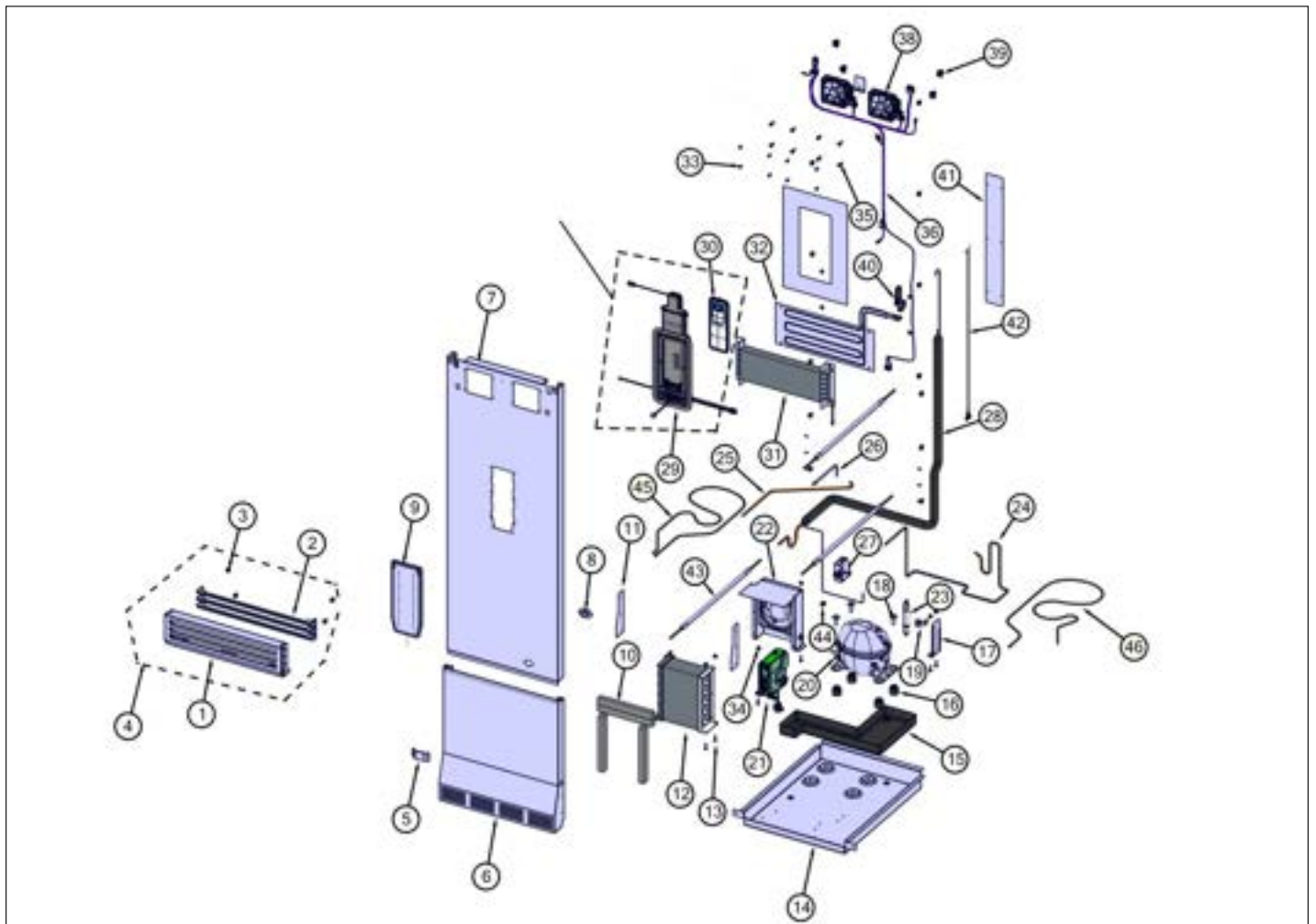
Water System View





Item	Part No.	Name	Qty	Uom	NOTES
1	055017-000	DISPENSER, WATER, INTERNAL, ASSY	1	EA	
2	067412-000	WL, ASSY, WTR RSVR, DISP, COLUMN 24 AR 7 SERIES	1	EA	
3	067411-000	WL, ASSY, V, WTR RSVR, COLUMN 24 AR 7 SERIES	1	EA	
4	065022-000	WTR TANK ASSY, COLUMNS 7 SERIES	1	EA	
5	061400-000	WATER LINE, INLET, 7 SERIES	1	EA	
6	069446-000	ASM, DRAIN, OUTLET, COLUMN AR 7 SERIES	1	EA	
8	064978-000	TOOL, WATER FILTER, 7 SERIES	1	EA	
9	057498-000	FILTER, CARTRIDGE, WATER, BM 7 SERIES	1	EA	
10	058451-000	MANIFOLD, WATER FILTER	1	EA	
11	072885-000	BRACKET, FILTER, WATER, UNION	1	EA	
12	057883-000	FLANGE, NUT, WATER FILTER, BM 7 SERIES	2	EA	
13	PA070016	VALVE WATER SINGLE DISP, FAMILY	1	EA	
14	066799-000	VALVE, WATER, DISPENSER, 12VDC, VRI7	1	EA	

Refrigeration System View





Item	Part No.	Name	Qty	Uom	NOTES
1	060459-000	FAN, COVER, 24" 7 SERIES	1	EA	
2	060460-000	LVR, FAN COVER, COLUMN 24 7 SERIES	3	EA	
3	PD950012	STRIKE PANEL ACCESS	4	EA	
4	060461-000	FAN, COVER, ASM, 24" 7 SERIES	1	EA	
5	050844-000	COVER, THERMISTOR, FF	1	EA	
6	060592-000	BOTTOM, EVAP, COVER, 24" 7 SERIES	1	EA	
7	060360-000	EVAP, COVER, 24" AR 7 SERIES	1	EA	
8	C8983701	THERMISTOR	1	EA	
9	064124-000	BLUEZONE, FACE, ASM, 24" AR 7 SERIES	1	EA	
10	068507-000	FOAM, BAF, KPL, CNDR, COLUMN 7 SERIES	4	EA	
11	060806-000	BRKT, BOT, EVAP COVER, COLUMN 24" AR 7 SERIES	2	EA	
12	062226-000	CONDENSER, 7 SERIES COLUMNS	1	EA	
13	055051-000	STUD, #10-32, 5/8, MC, MOBILITY, TRAY, BM 7 SERIES	8	EA	
14	060358-000	MOBILITY TRAY, MC, COLUMN 24" 7 SERIES	1	EA	
15	063742-000	PAN, MC, DRAIN, 24" COLUMN 7 SERIES	1	EA	
16	053739-000	GROMMET, CMPR, BM 7 SERIES	4	EA	
17	063926-000	BRKT, DRYER, COLUMN 7 SERIES	1	EA	
18	M0221523	SCREW - SHLDR	4	EA	
19	10547001	CLIP-DRIER V10547001	1	EA	
20	054296-000	CMPR, FF, BM 7 SERIES	1	EA	
21	054600-601	INVERTER, CMPR, FRESH FOOD, 7 SERIES COLUMNS	1	EA	
22	064382-000	CNDR FAN, SPRT, ASM, COLUMN 18/24 7 SERIES	1	EA	
23	030926-000	DRIER - HIGH SIDE	1	EA	
24	063925-000	LINE, DSCH, CNDR, COLUMN 24 AR 7 SERIES	1	EA	

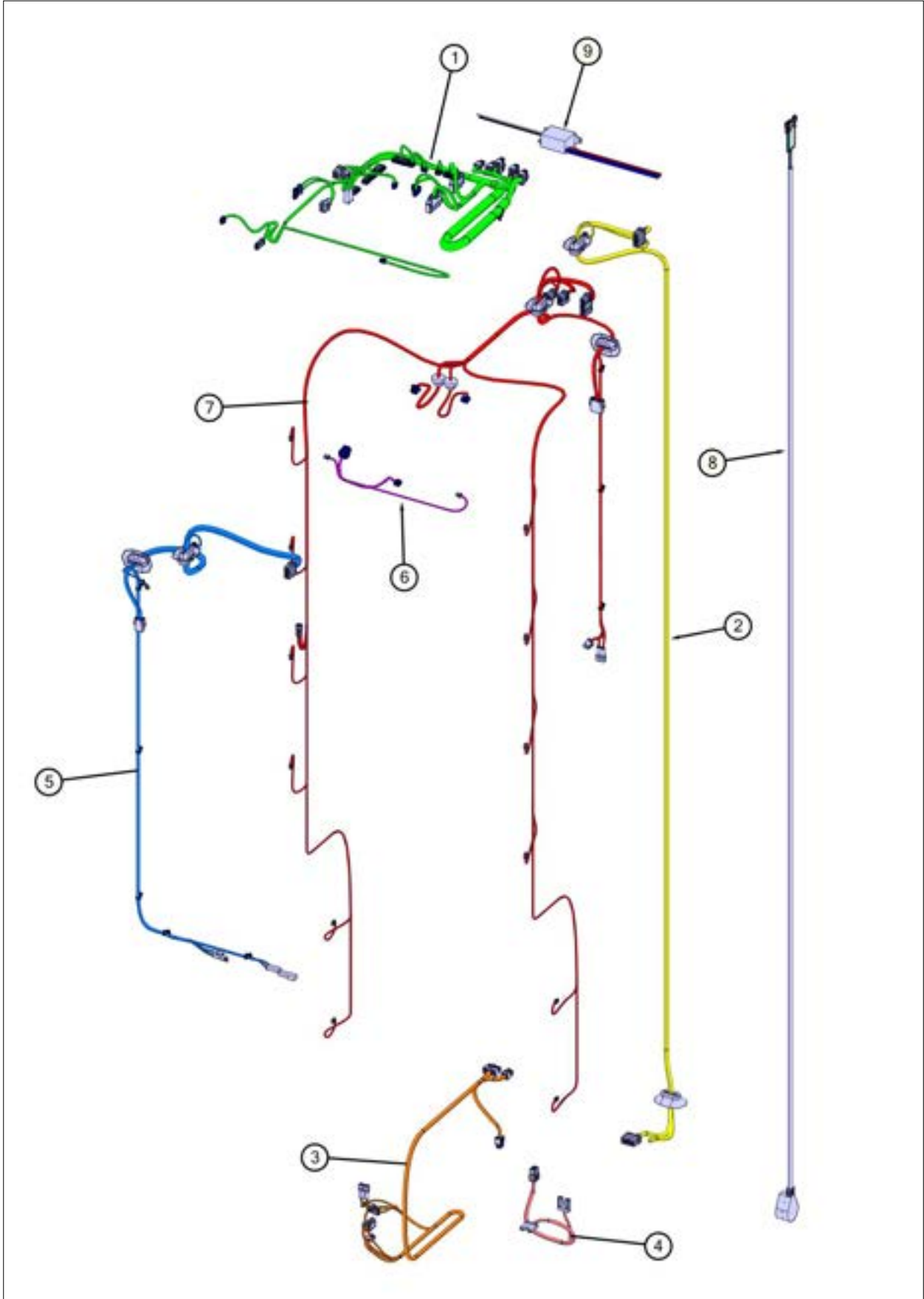


Item	Part No.	Name	Qty	Uom	NOTES
25	066983-000	TUBE, PROCESS, LOW SIDE, AF, 24" 7 SERIES	1	EA	
26	f2097740	TUBE PROCESS	1	EA	
27	060129-000	COMPRESSOR, CVR, 7 SERIES	1	EA	
28	061706-000	HE, TBG, ASSY, 24" AR 7 SERIES	1	EA	
29	065856-000	BLUEZONE MODULE	1	EA	
Not Shown	NOTE	(ORDER ITEM 47)		EA	
30	RBZB7VT	BLUEZONE BULB CARTRIDGE	1	EA	
31	075915-000	7 SERIES 24" AR EVAPORATOR KIT	1	EA	
32	063757-000	DEFROST HEATER, FF	1	EA	
33	PD020194	SCR, HEX SRTD WSHR HD, #8-18 X 1/2	4	EA	
34	055054-000	STUD, NUT, #10-32, MC, BM 7 SERIES	8	EA	
35	007301-000	GROMMET,RUBBER	8	EA	
36	063342-000	HARN, VRI7240, CLOSEOUT (AR ONLY)	1	EA	
38	054688-000	FAN, 12V, 3.62" X 1.0", 4.5W	2	EA	
39	PD950013	LATCH PANEL ACCESS	4	EA	
40	059650-000	THERMOSTAT, SNAP ACTION, 75 OPEN, 45 CLOSE	1	EA	
41	066186-000	PL, FILL, ICMKR, AR COLUMNS 7 SERIES	1	EA	
42	058535-000	EVAP, THERMISTOR, 7 SERIES	1	EA	
<p>Comments for Part Num. 058535-000</p> <p>gboltz@VikingRange.com on Jun 10, 2019</p> <p>Order 066362-000 foil tape with thermistor for isolating dis-similar metals.</p>					
43	066115-000	FLEX LINE, 24" 7 SERIES	3	EA	
44	064293-000	FSTNR, CLIP, PLASTIC, TUBING	1	EA	
45	067037-000	LOOP, OMEGA, HOT LOOP, OUTLET, AF 24	1	EA	
46	067036-000	LOOP, OMEGA, HOT LOOP, EXIT, AF 24	1	EA	



Item	Part No.	Name	Qty	Uom	NOTES
47	067201-000	BLUEZONE, VERT, MDL, CRTG, 24" AR 7 SERIES	1	EA	
NI	068063-000	BRKT, EVAP, R, COLUMN, 24 AR 7 SERIES	1	EA	
NI	M0215318	SCREW-SM	6	EA	

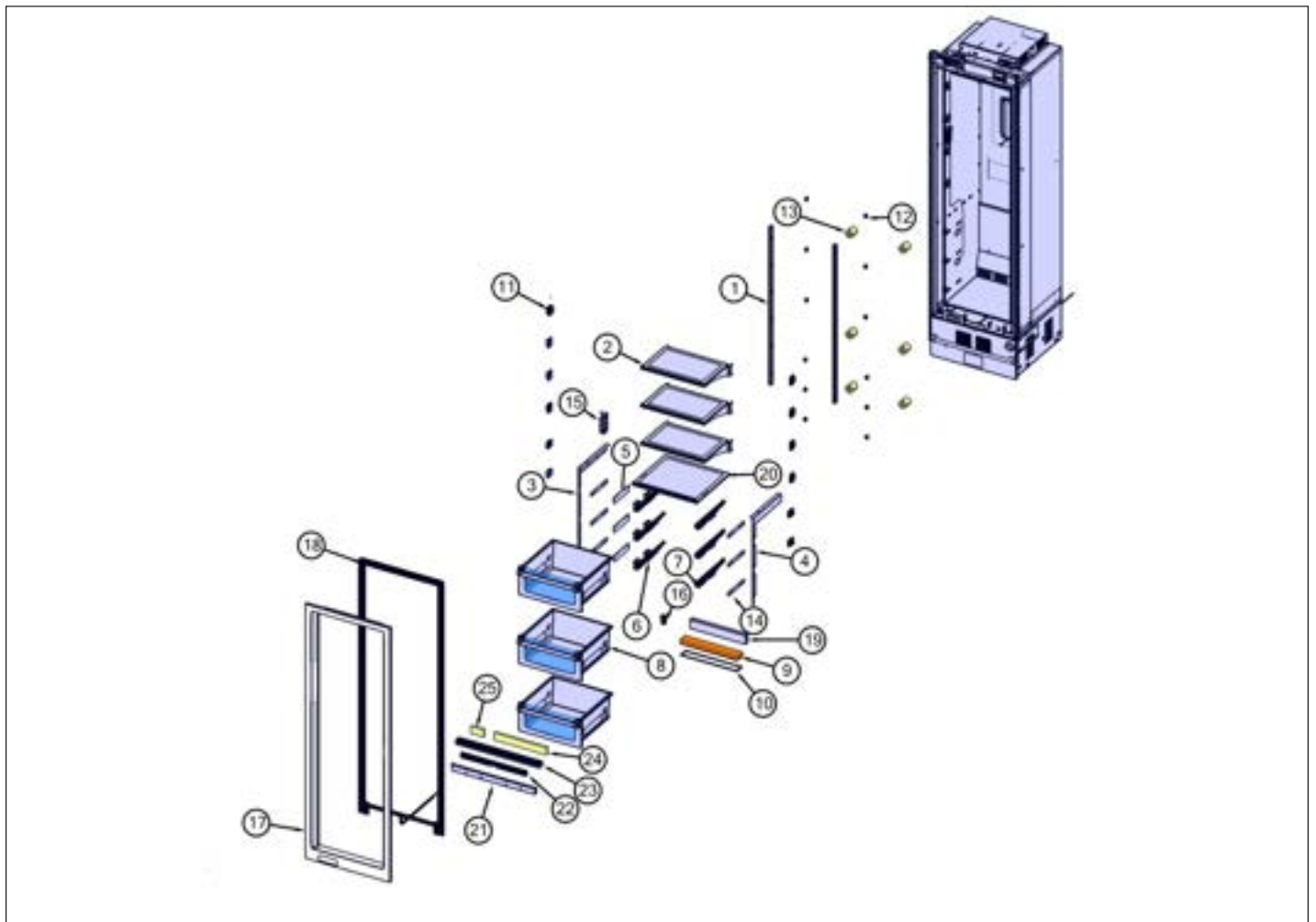
Wiring View





Item	Part No.	Name	Qty	Uom	NOTES
1	063337-000	HARN, VRI7, CONTROL (AR ONLY)	1	EA	
2	063717-000	HARN, CO, CONTROL, TO MC (AR/AF)	1	EA	
3	063363-000	HARN, VRI7240, MACHINE (AR/AF)	1	EA	
4	063565-000	HARN, VRI7, WATER VALVES	1	EA	
5	063336-000	HARN, VRI7240, AC (AR ONLY)	1	EA	
6	063343-000	HARN, CO, UI (AR/AF)	1	EA	
7	063321-000	HARN, VRI7240, DC (AR ONLY)	1	EA	
8	059105-000	CORD, PWR, BM, LEAD TERMINALS	1	EA	
9	059022-000	BALLAST, BLUEZONE, LAMP	1	EA	
NI	063606-000	BRKT, BLST, BLUEZONE, COLUMN 7 SERIES	1	EA	

Interior View





Item	Part No.	Name	Qty	Uom	NOTES
1	071771-006	LADDER, COLUMN, 7 SERIES	2	EA	
2	060481-000	SHELF, ASM, 24" 7 SERIES	3	EA	
3	069588-006	BRKT, EXTND, SHLF, HNG SIDE, LH, AR COLUMN 7 SERIES	1	EA	
4	069591-006	BRKT, EXTND, SHLF, HDL SIDE, LH, AR COLUMN 7 SERIES	1	EA	
5	067299-000	SPACER, SLIDE, CRISPER, SD, HINGE	3	EA	
6	072399-000	SLIDE DWR, FZ/RF, LH	3	EA	
7	072400-000	SLIDE DWR, FZ/RF, RH	3	EA	
8	060378-000	DRAWER, ASM, 24" AR 7 SERIES	3	EA	
9	061726-000	SUMP, INSR, 24" 7 SERIES	1	EA	
10	060676-000	GASKET, SUMP, 24" 7 SERIES	1	EA	
11	042764-000	LED LIGHT, 3-POINT	12	EA	
12	PD950013	LATCH PANEL ACCESS	14	EA	
13	055059-000	BLOCK, FOAM, FREEZER, 2X2.5, BM 7 SERIES	6	EA	
14	053424-000	BACKPLATE, RVT, NUT, CRISPER, DWR, BM 7 SERIES	6	EA	
15	064232-000	COVER, FOAM, WATER DISP, 7 SERIES, ASSY	1	EA	
16	064984-000	HEAT EXCHANGER PASS THROUGH	1	EA	
17	062987-000	BREAKER FRAME, ASM, LH, 24" 7 SERIES (NOT A SERVICEABLE PART)	1	EA	
18	060084-000	MAGNETS & EXTRUSIONS, ASM, 24"	1	EA	
19	060355-000	SPRT, MC, ANTI-TIP, COLUMN 24" 7 SERIES	1	EA	
20	063632-000	CRISPER GLASS SHELF, 24" 7 SERIES	1	EA	
21	060076-000	MULLION, BTM, HINGE, 24"	1	EA	
22	060077-000	MAGNET, EXTRUSION, BTM, 24"	1	EA	
23	060078-000	BTM, SUPPORT,, EXTRUSION, 24"	1	EA	
24	061259-000	INSULATION, FOAM, BOTTOM HINGE, COLUMN 24" 7 SERIES	1	EA	



Item	Part No.	Name	Qty	Uom	NOTES
25	061231-000	INSULATION, FOAM, HINGE SIDE, COLUMN, 18" AF 7 SERIES	1	EA	
NI	064234-000	COVER, FOAM, WATER CHILLER, 7 SERIES, ASSY	2	EA	
NI	066901-000	LINER, OFFSET, FAN, 24 AF 7 SERIES	1	EA	
NI	067058-000	TUBE, FOAMED, WL, DISP, COLUMNS AR 7 SERIES	1	EA	
NI	067062-000	TUBE, FOAMED, MC, WTR TANK, COLUMN 24 AR 7 SERIES	1	EA	
NI	029429-000	SPACER, MEATSAVOR	6	EA	



Appendix A:Pages Index

Bottom View 2
Control View 1
Door and Trim View 3
Hinge View 4
Interior View 8
Refrigeration System View 6
Water System View 5
Wiring View 7



Appendix B:Parts Index

007301-000	6	060363-000	1
014399-000	1	060364-000	1
029429-000	8	060366-000	1
030926-000	6	060378-000	8
035647-000	3	060459-000	6
042764-000	8	060460-000	6
042766-000	1	060461-000	6
050844-000	6	060481-000	8
053424-000	8	060576-000	2
053520-000	1	060592-000	6
053541-000	1	060676-000	8
053739-000	6	060769-501	1
054296-000	6	060806-000	6
054600-601	6	061067-000	3
054688-000	6	061164-000	1
055017-000	5	061231-000	8
055051-000	6	061259-000	8
055054-000	6	061293-000	3
055059-000	8	061294-000	3
057498-000	5	061295-000	3
057883-000	5	061345-000	3
058225-000	4	061348-000	3
058451-000	5	061349-000	3
058535-000	6	061400-000	5
058677-000	3	061687-000	3
059022-000	7	061698-000	3
059043-000	3	061701-000	3
059105-000	7	061706-000	6
059487-000	1	061726-000	8
059650-000	6	062071-000	4
059774-000	1	062072-000	4
060076-000	8	062095-000	3
060077-000	8	062115-000	3
060078-000	8	062226-000	6
060084-000	8	062845-000	3
060129-000	6	062978-000	3
060353-000	2	062987-000	8
060355-000	8	063269-501	1
060358-000	6	063321-000	7
060360-000	6	063336-000	7
		063337-000	7



063342-000	6	067411-000	5
063343-000	7	067412-000	5
063363-000	7	067578-000	3
063364-000	3	067873-000	1
063365-000	3	068063-000	6
063501-000	1	068423-000	2
063565-000	7	068507-000	6
063586-000	3	068624-000	3
063606-000	7	068842-000	3
063608-000	1	068995-000	3
063632-000	8	069446-000	5
063717-000	7	069588-006	8
063742-000	6	069591-006	8
063757-000	6	069792-000	1
063925-000	6	069929-000	3
063926-000	6	070306-603	3
064124-000	6	070487-000	1
064232-000	8	071771-006	8
064234-000	8	072399-000	8
064293-000	6	072400-000	8
064382-000	6	072885-000	5
064978-000	5	072951-000	1
064984-000	8	073023-000	3
065022-000	5	075915-000	6
065856-000	6	10547001	6
066115-000	6	C8983701	6
066186-000	6	M0215318	6
066620-000	3	M0221523	6
066678-000	3	PA070016	5
066702-000	2	PD020194	1, 6
066705-000	2	PD950012	6
066799-000	5	PD950013	6, 8
066901-000	8	PE950149	1
066983-000	6	PK930321	2
067036-000	6	RBZB7VT	6
067037-000	6	f2097740	6
067058-000	8		
067062-000	8		
067201-000	6		
067217-000	3		
067299-000	8		