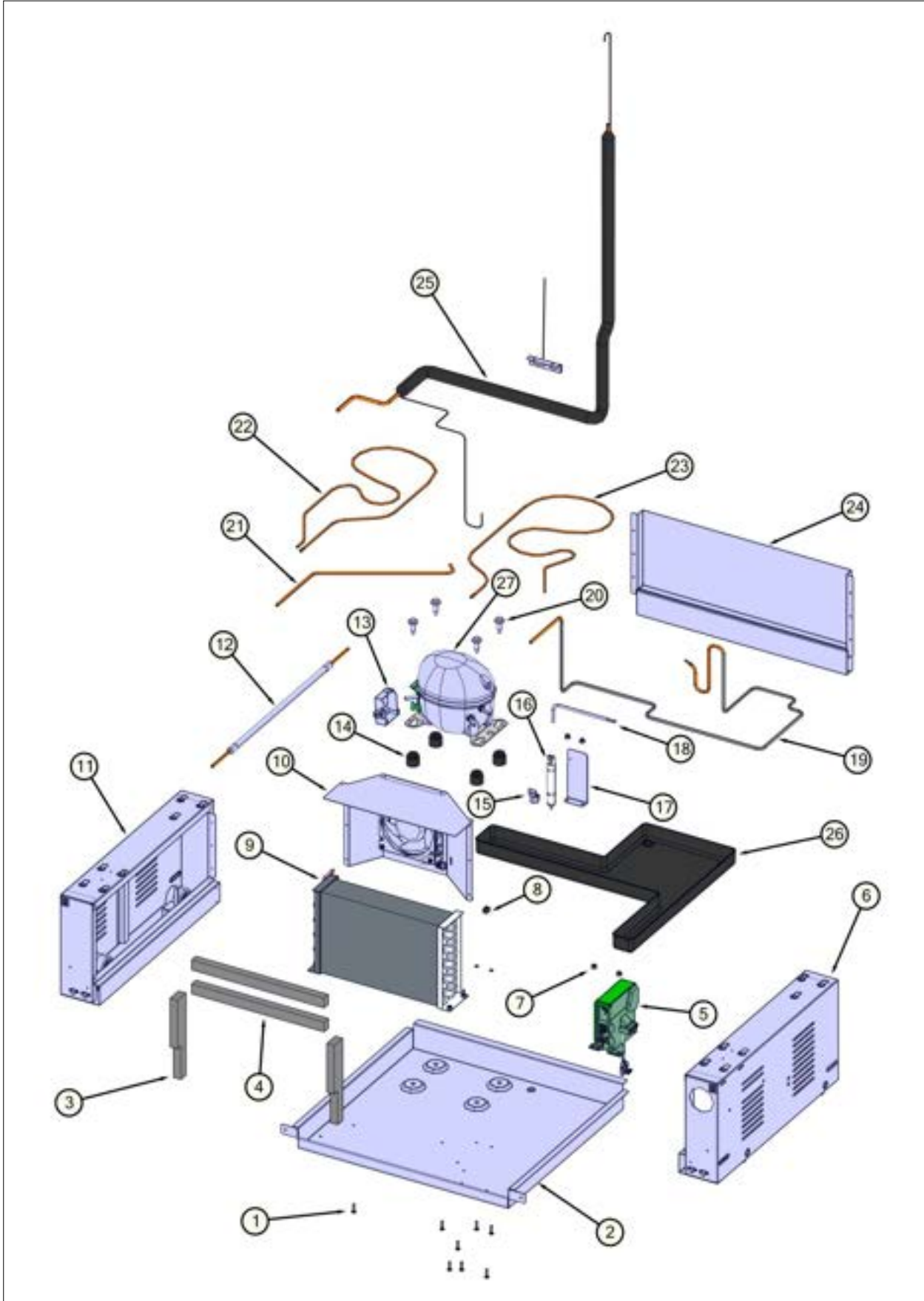


MVRI7300WRSS

Cab Bottom View	1
Cab Front View	2
Lo Side Asm View	3
Water System View	4
Interior Shelving View	5
Control View	6
Decor View	7
Door View	8
Electrical View	9
Appendix A:Pages Index	A
Appendix B:Parts Index	B

Cab Bottom View



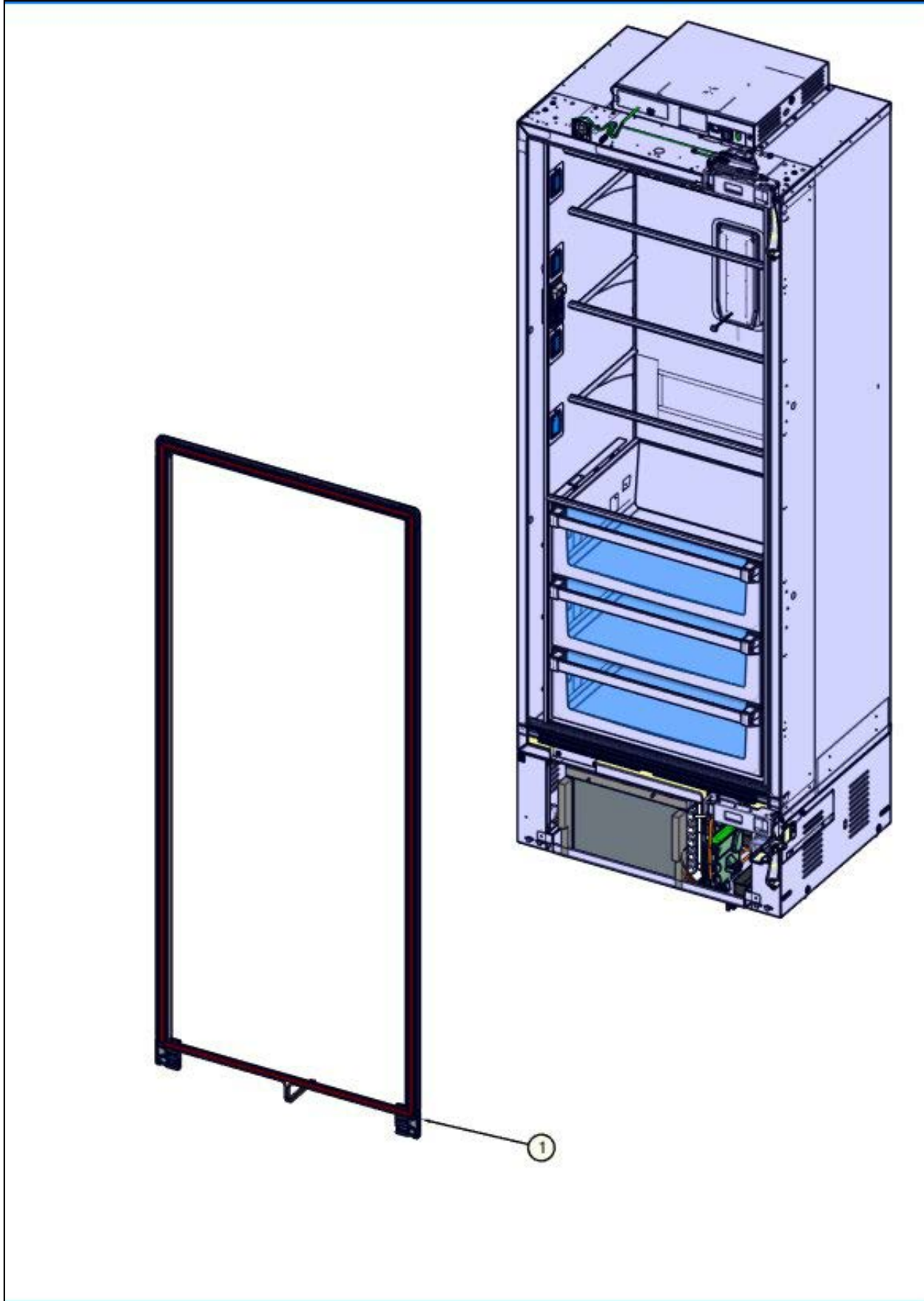


Item	Part No.	Name	Qty	Uom	NOTES
1	055051-000	STUD, #10-32, 5/8, MC, MOBILITY, TRAY, BM 7 SERIES	9	EA	
2	065273-000	MOBILITY TRAY, MC, COLUMN 30" 7 SERIES	1	EA	
3	068507-000	FOAM, BAF, KPL, CNDR, COLUMN 7 SERIES	2	EA	
4	067439-000	FOAM, BAF, CNDR, COLUMN 30/36 7 SERIES	2	EA	
5	054600-000	INVERTER, CMPR, FRESH FOOD, BM 7 SERIES	1	EA	
6	066702-000	HSG, R, MC ASSY, 7 SERIES	1	EA	
7	055054-000	STUD, NUT, #10-32, MC, BM 7 SERIES	9	EA	
8	064293-000	FSTNR, CLIP, PLASTIC, TUBING	1	EA	
9	065660-000	CNDR, COLUMN 30 36 7 SERIES	1	EA	
10	065713-000	CNDR FAN, SPRT, ASSY, COLUMN 30/36 7 SERIES	1	EA	
11	066705-000	HSG, L, MC, ASSY, 7 SERIES	1	EA	
12	066115-000	FLEX LINE, 24" 7 SERIES	1	EA	
13	060129-000	COMPRESSOR, CVR, 7 SERIES	1	EA	
14	053739-000	GROMMET, CMPR, BM 7 SERIES	4	EA	
15	10547001	CLIP-DRIER V10547001	1	EA	
16	030926-000	DRIER - HIGH SIDE	1	EA	
17	063926-000	BRKT, DRYER, COLUMN 7 SERIES	1	EA	
18	f2097740	TUBE PROCESS	1	EA	
19	065888-000	LINE, DSCH, CNDR, COLUMN 30 AR 7 SERIES	1	EA	
20	M0221523	SCREW - SHLDR	4	EA	
21	067452-000	TUBE, PRCS, LOW SIDE, COLUMN 30 & 36 AR 7 SERIES	1	EA	
22	067037-000	LOOP, OMEGA, HOT LOOP, OUTLET, AF 24	1	EA	
23	067036-000	LOOP, OMEGA, HOT LOOP, EXIT, AF 24	1	EA	
24	065257-000	MC, REAR PANEL, ASSY, COLUMN 30 7 SERIES	1	EA	



Item	Part No.	Name	Qty	Uom	NOTES
25	065890-000	HE, TBG, ASSY, COLUMN 30/36 AR 7 SERIES	1	EA	
26	065468-000	PAN, MC, DRAIN, COLUMN 30 7 SERIES	1	EA	
27	054296-000	CMPR, FF, BM 7 SERIES	1	EA	
28	064288-000	BRKT, CONN, MC, COLUMN 7 SERIES	1	EA	

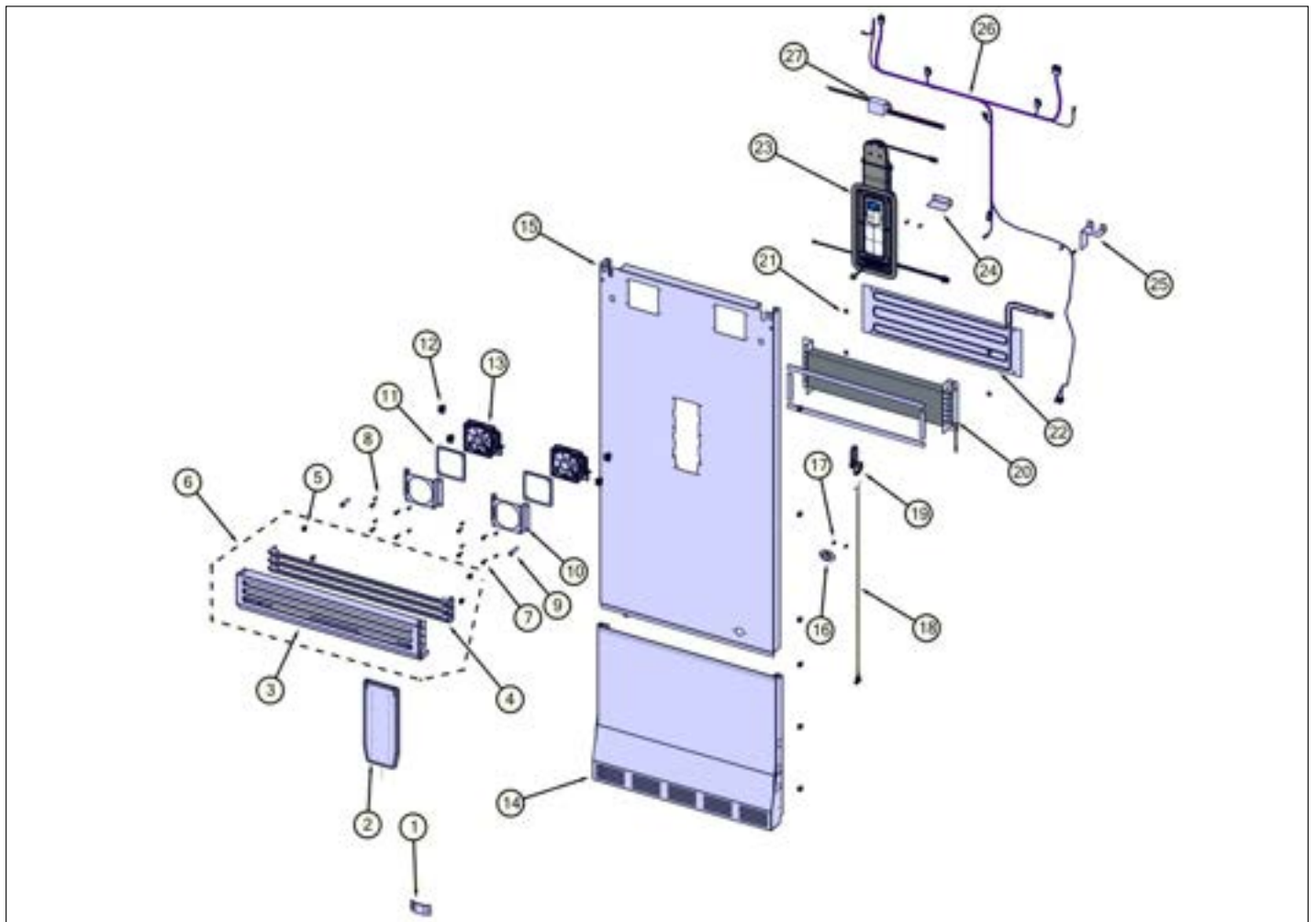
Cab Front View





Item	Part No.	Name	Qty	Uom	NOTES
1	064797-000	MAG & EXTRN, ASSY, COLUMN 30 7 SERIES (NON- SERVICEABLE PART)	1	EA	

Lo Side Asm View



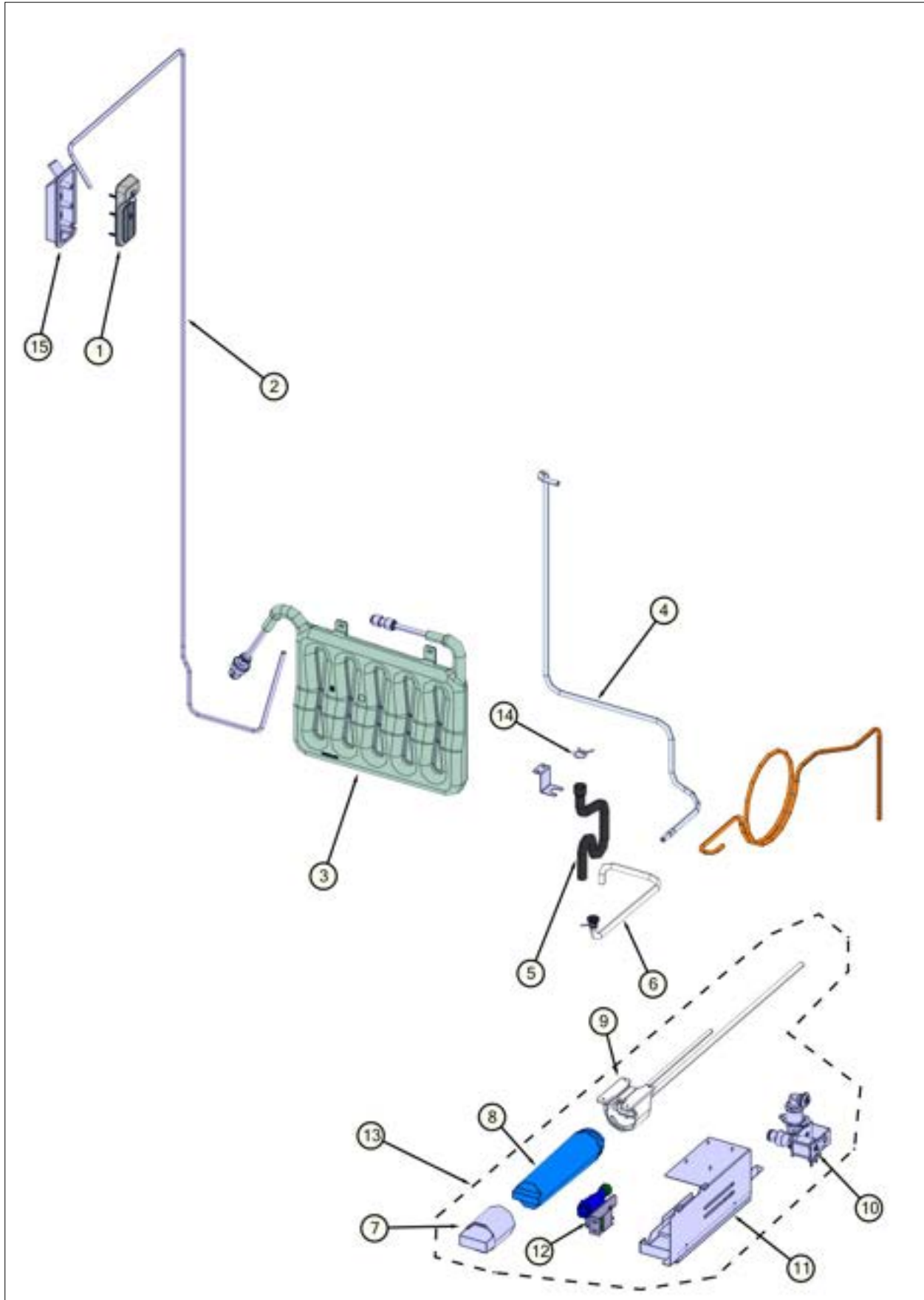


Item	Part No.	Name	Qty	Uom	NOTES
1	050844-000	COVER, THERMISTOR, FF	1	EA	
2	064124-000	BLUEZONE, FACE, ASM, 24" AR 7 SERIES	1	EA	
3	064610-000	FAN, COVER, 30" 7 SERIES	1	EA	
4	064612-000	LOUVER, FAN, COVER, 30" 7 SERIES	3	EA	
5	PD950012	STRIKE PANEL ACCESS	4	EA	
6	065262-000	FAN, COVER, ASSY, COLUMN 30 7 SERIES	1	EA	
7	007301-000	GROMMET,RUBBER	8	EA	
8	PD020194	SCR, HEX SRTD WSHR HD, #8- 18 X 1/2	12	EA	
9	067351-000	BUSHING, FASTENER, COVER, TOP, 7 SERIES	3	EA	
10	057813-000	FRESH FOOD, FAN, BOX, BM 7 SERIES	2	EA	
11	056228-000	GASKET, MOUNT, FAN, LARGE, AR 36	2	EA	
12	PD950013	LATCH PANEL ACCESS	4	EA	
13	054688-000	FAN, 12V, 3.62" X 1.0", 4.5W	2	EA	
14	064608-000	COVER, EVAP, BOT, COLUMN 30 AR 7 SERIES	1	EA	
15	064606-000	COVER, EVAP, COLUMN 30 AR 7 SERIES	1	EA	
16	C8983701	THERMISTOR	1	EA	
17	PD920161	SCR 8-16 PLASTITE PNP 3/8 S	2	EA	
18	058535-000	EVAP, THERMISTOR, 7 SERIES	1	EA	
Comments for Part Num. 058535-000					
gboltz@VikingRange.com on Jun 10, 2019					
Order 066362-000 foil tape with thermistor for isolating dis-similar metals.					
19	059650-000	THERMOSTAT, SNAP ACTION, 75 OPEN, 45 CLOSE	1	EA	
20	075916-000	7 SERIES 30", 36" AR EVAPORATOR KIT	1	EA	
21	M0274067	WASHER-NYLON	4	EA	
22	067997-601	HTR, DFRT, COLUMN 30 AR 7 SERIES	1	EA	



Item	Part No.	Name	Qty	Uom	NOTES
23	067201-000	BLUEZONE, VERT, MDL, CRTG, 24" AR 7 SERIES	1	EA	
24	068001-000	BRKT, EVP, L, COLUMN 30 AR 7 SERIES	1	EA	
25	068187-000	BRKT, EVAP, R, COLUMN, 30 AR 7 SERIES	1	EA	
26	065491-000	HARN, AR 30/36, CLOSEOUT	1	EA	
27	059022-000	BALLAST, BLUEZONE, LAMP	1	EA	

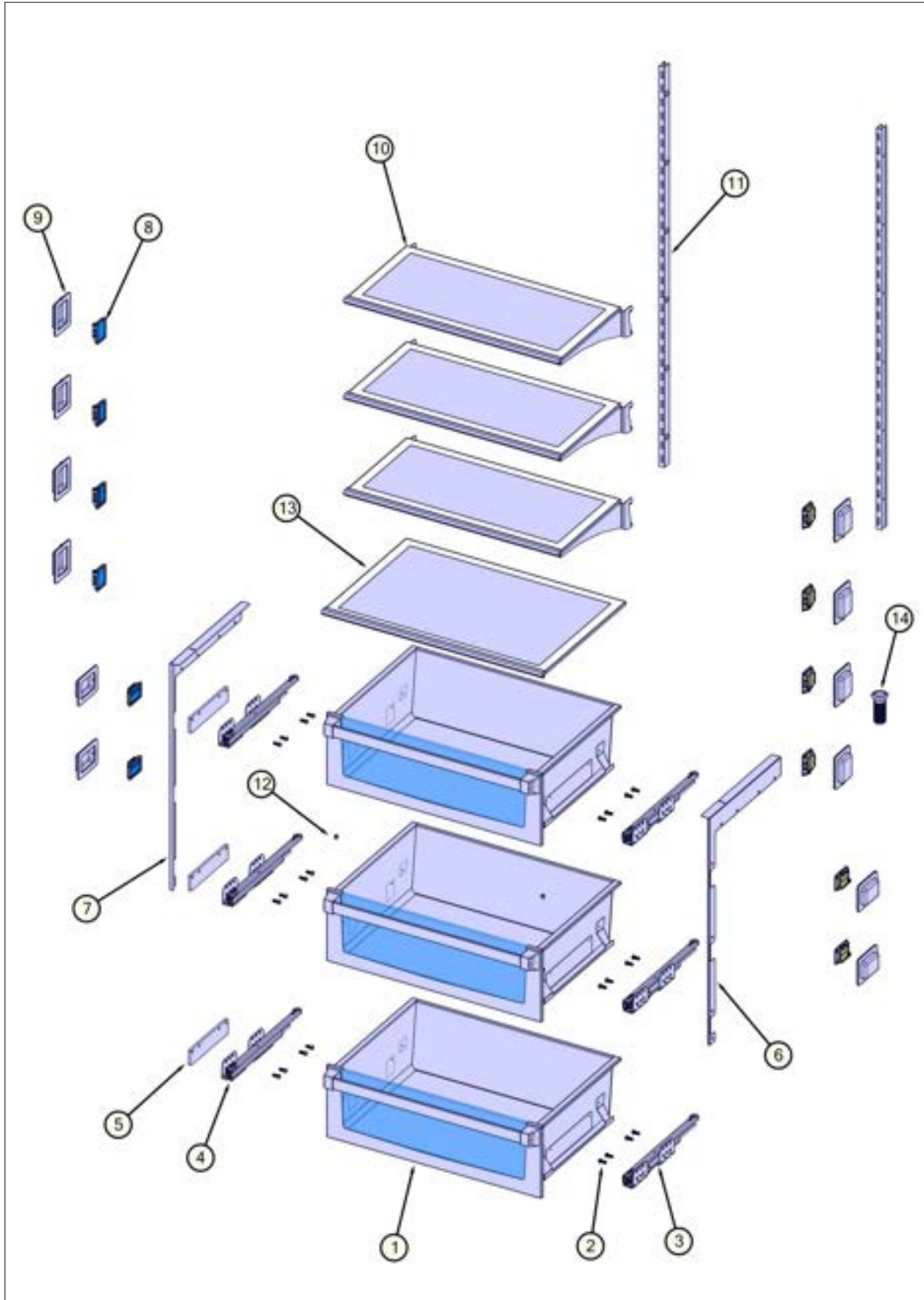
Water System View





Item	Part No.	Name	Qty	Uom	NOTES
1	055017-000	DISPENSER, WATER, INTERNAL, ASSY	1	EA	
2	067451-000	WL ASSY, WTR RSVR, DISP, 30& 36 AR 7 SERIES	1	EA	
3	065022-000	WTR TANK ASSY, COLUMNS 7 SERIES	1	EA	
4	067449-000	WL ASSY, V, WTR RSVR, COLUMN 30 AR 7 SERIES	1	EA	
5	069655-000	TUBE, P-TRAP, DRAIN, VENT, COLUMNS 7 SERIES AR	1	EA	
6	063841-000	DRAIN, WATER FILTER PAN ASSY, 24 COLIMN 7 SERIES	1	EA	
7	064978-000	TOOL, WATER FILTER, 7 SERIES	1	EA	
8	057498-000	FILTER, CARTRIDGE, WATER, BM 7 SERIES	1	EA	
9	058451-000	MANIFOLD, WATER FILTER	1	EA	
10	066799-000	VALVE, WATER, DISPENSER, 12VDC, VRI7	1	EA	
11	066521-000	WATER, FILTER, BRACKET, ASM, COLUMNS 7 SERIES	1	EA	
12	PA070016	VALVE WATER SINGLE DISP, FAMILY	1	EA	
13	067403-000	FLTR & VLV, ASSY, COLUMNS AR 7 SERIES	1	EA	
14	060263-000	DRAIN, CLAMP, 7 SERIES	1	EA	
15	064232-000	COVER, FOAM, WATER DISP, 7 SERIES, ASSY	1	EA	

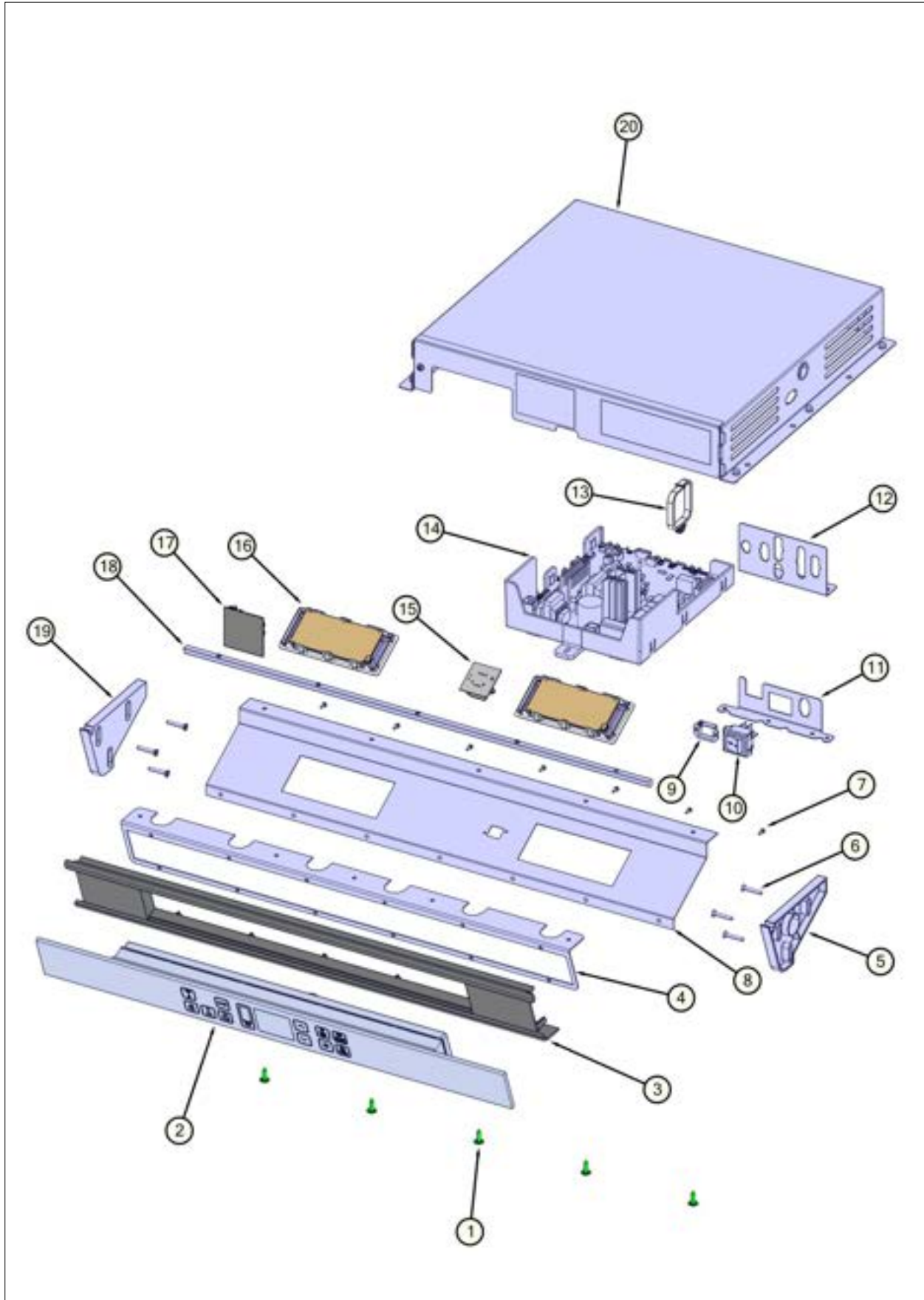
Interior Shelving View





Item	Part No.	Name	Qty	Uom	NOTES
1	065322-000	DWR, ASSY, COLUMN 30 AR 7 SERIES	3	EA	
2	058753-000	FASTENER, SCR, B, BTNH, SKHD, SST, 1/4-20, 5/8	24	EA	
3	072400-000	SLIDE DWR, FZ/RF, RH	3	EA	
4	072399-000	SLIDE DWR, FZ/RF, LH	3	EA	
5	067299-000	SPACER, SLIDE, CRISPER, SD, HINGE	3	EA	
6	069590-006	BRKT, EXTND, SHLF, HDL SIDE, RH, AR COLUMN 7 SERIES	1	EA	
7	069589-006	BRKT, EXTND, SHLF, HNG SIDE, RH, AR COLUMN 7 SERIES	1	EA	
8	042764-000	LED LIGHT, 3-POINT	12	EA	
9	046358-000	LED CUP ASSY (3) (NON-SERVICEABLE PART)	12	EA	
10	065341-000	SHLF, ASSY, COLUMN 30 AR 7 SERIES	3	EA	
11	071771-006	LADDER, COLUMN, 7 SERIES	2	EA	
12	067495-000	STANDOFF, SNAP, DRAWER 7 SERIES BM, 18AF	6	EA	
13	065307-000	SHLF, DWR, ASSY, COLUMN 30 AR 7 SERIES	1	EA	
14	064984-000	HEAT EXCHANGER PASS THROUGH	1	EA	

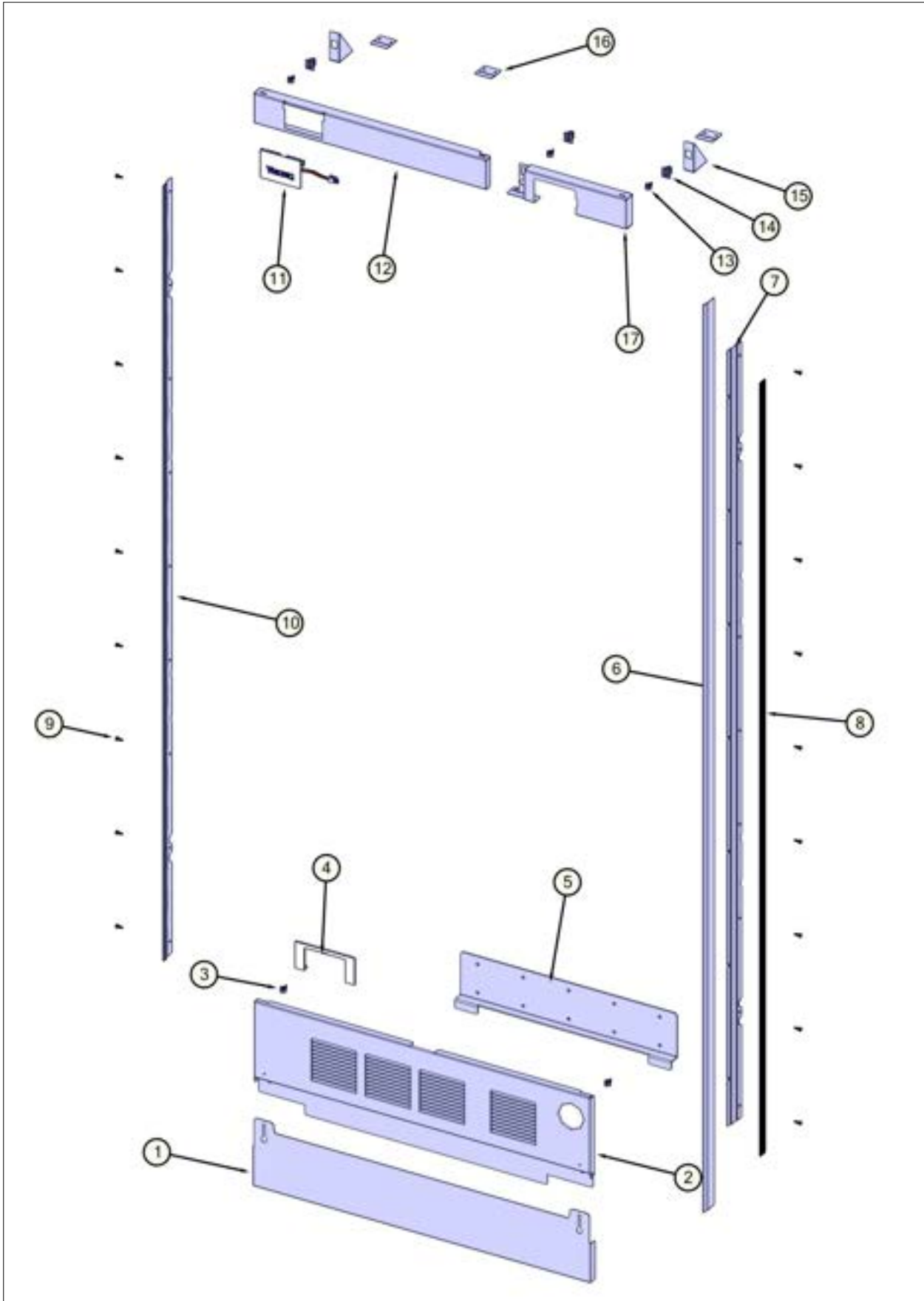
Control View





Item	Part No.	Name	Qty	Uom	NOTES
1	M0210458	SCR 8-18 X 5/8 WAFER PH SMS	5	EA	
2	068685-501	UI, MAIN, CTRL, ASSY, COLUMN 30 AR 7 SERIES	1	EA	
3	065367-000	HSG, TOP UI, COLUMN 30 7 SERIES	1	EA	
4	065369-000	BRKT, HSG, TOP UI, COLUMN 30 7 SERIES	1	EA	
5	053541-000	ENDCAP, HOUSING, TOP UI, RIGHT	1	EA	
6	013397-000	1" PAINTED LADDER SCREW	6	EA	
7	PD020013	TYPE "AB" #6 X 3/8 PH PAN HD. SMS	7	EA	
8	065345-000	BACK, PNL, TOP UI, COLUMN 30 7 SERIES	1	EA	
9	059774-000	SADDLE, EDGE, LOCKING	1	EA	
10	PE950149	SWITCH POWER	1	EA	
11	063683-000	BRKT, ON/OFF SW, COLUMN 7 SERIES	1	EA	
12	063501-000	BRKT, PNL, MT, CON, COLUMN 7 SERIES	1	EA	
13	061164-000	SADDLE, LARGE	1	EA	
14	070487-000	7 SERIES COLUMN BOARD KIT	1	EA	
15	059487-000	USB, PCB, GND, REF 7 SERIES	1	EA	
16	042766-000	LED LIGHT, 8-POINT	2	EA	
17	063269-501	MODULE, NIC, V01 (SEE 063269-FAM)	1	EA	
18	065424-000	GSKT, HSG, TOP UI, COLUMN 30 7 SERIES	1	EA	
19	053520-000	ENDCAP, HOUSING, TOP UI, LEFT	1	EA	
20	063609-000	COVER, TOP, ASSY, COLUMN 7 SERIES	1	EA	

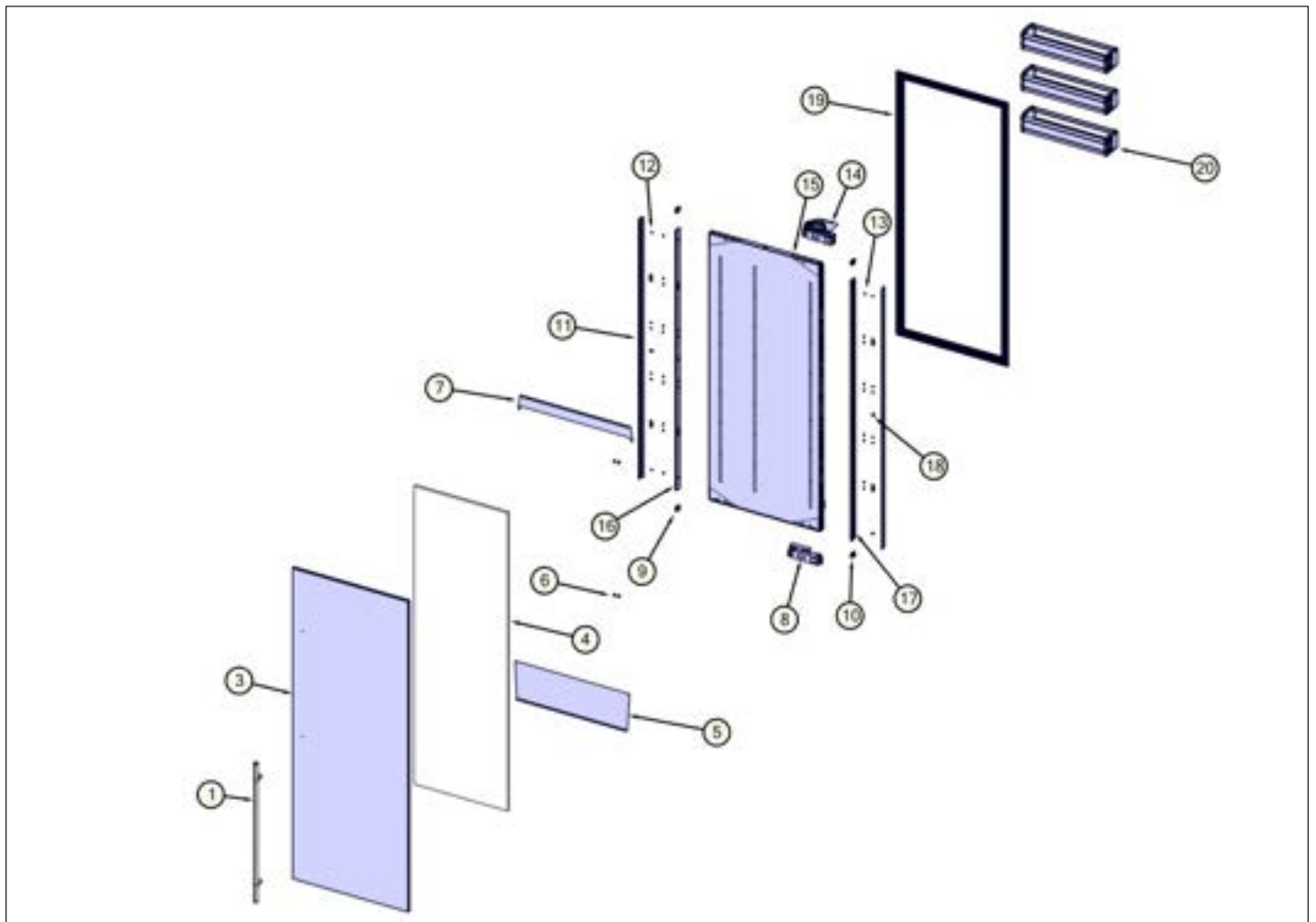
Decor View





Item	Part No.	Name	Qty	Uom	NOTES
1	065576-000	KICKPLATE, COLUMNS, 30" 7 SERIES	1	EA	
2	065572-000	ACS PNL, MC, COLUMN, 30" 7 SERIES	1	EA	
3	PD950012	STRIKE PANEL ACCESS	2	EA	
4	067578-000	CVR, HNG, BOT, COLUMNS, ASSY 7 SERIES	1	EA	
5	065421-000	BRKT, ANTI-TIP, COLUMN 30 7 SERIES	1	EA	
6	067217-000	TRIM, FINISH, SIDE, MAGNET	1	EA	
7	073023-000	BKT, TRIM, MAGNET, 7 SERIES	1	EA	
8	067221-000	MAGNET, TRIM, 7 SERIES	1	EA	
9	062978-000	FASTENER, SCR, 8-15 X 1/2 TORX ROUND HEAD ZPS	18	EA	
10	064531-000	TRIM, CONNECTING, BM 7 SERIES	1	EA	
11	070306-603	LIGHT, LOGO, ASM, 7 SERIES-WHITE W/HARNESS	1	EA	
12	065617-000	TRIM, TOP, LOGO, SIDE, RH, 30" COLUMN 7 SERIES	1	EA	
13	PD950012	STRIKE PANEL ACCESS	3	EA	
14	PD950013	LATCH PANEL ACCESS	3	EA	
15	058677-000	BRACKET, SNAP FEAT, TOP TRIM, RH, BM 7 SERIES	2	EA	
16	059043-000	BRACKET, TOP, FRONT TRIM, BM 7 SERIES	3	EA	
17	062702-000	TOP TRIM, HINGE SIDE, RH, 36 BM 7 SERIES	1	EA	

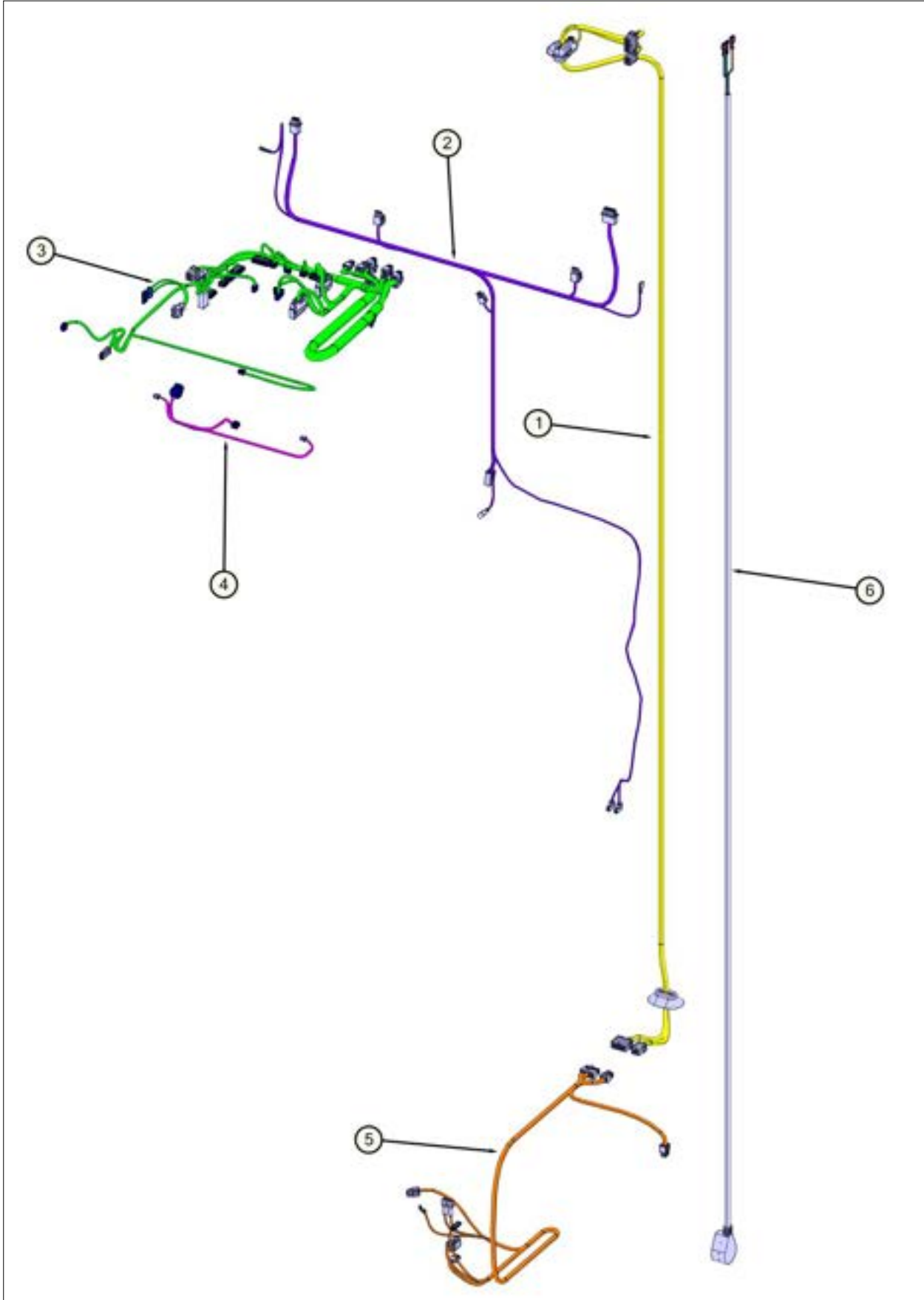
Door View





Item	Part No.	Name	Qty	Uom	NOTES
1	061701-000	HANDLE, 7 SERIES, BM FF ASSY	1	EA	
3	071868-000	SKIN, DOOR, SST, R, VIRTUOSO, COLUMN 30 7 SERIES	1	EA	
4	065696-000	INSL, DOOR SKIN, COLUMN 30 7 SERIES	1	EA	
5	065633-000	COVER FNSH, BOT, DOOR, COLUMN 30" 7 SERIES	1	EA	
6	035647-000	BOLT, FASTENER, HXH, SST	4	EA	
7	065631-000	COVER, FINISH, TOP, DOOR, COLUMN 30" 7 SERIES	1	EA	
8	057885-000	BOTTOM, HINGE, RH, ASM, BM 7 SERIES	1	EA	
9	062115-000	CAP, END, DOOR TRIM, RH	2	EA	
10	062095-000	CAP, END, DOOR TRIM	2	EA	
11	061295-000	COVER, CHNL, TRIM, DOOR, COLUMNS 7 SERIES	2	EA	
12	062978-000	FASTENER, SCR, 8-15 X 1/2 TORX ROUND HEAD ZPS	18	EA	
13	066678-000	FSTNR, WSHR, FLAT, SST, .625	20	EA	
14	057884-000	TOP, HINGE, RH, ASM, BM 7 SERIES	1	EA	
NI	058225-000	FF, DOOR SWITCH, BM 7 SERIES	1	EA	
15	064761-000	DOOR, FOAMED, RH, COLUMN 30 7 SERIES	1	EA	
16	067316-000	C CHNL, EXTR, DOOR, L, COLUMNS 7 SERIES PH2	1	EA	
17	067315-000	C CHNL, EXTR, DOOR, R, COLUMNS 7 SERIES PH2	1	EA	
18	061687-000	ECCENTRIC THIN SPACER, SCREW, ASM	6	EA	
19	065242-000	GSKT, DOOR, ASSY, 30" COLUMN 7 SERIES	1	EA	
20	065334-000	DOOR BIN, ASSY, COLUMN 30 7 SERIES	3	EA	

Electrical View





Item	Part No.	Name	Qty	Uom	NOTES
1	063717-000	HARN, CO, CONTROL, TO MC (AR/AF)	1	EA	
2	065491-000	HARN, AR 30/36, CLOSEOUT	1	EA	
3	068523-000	HARN, VRI7, CONTROL	1	EA	
4	063343-000	HARN, CO, UI (AR/AF)	1	EA	
5	065482-000	HARN, AR 30/36, MACHINE	1	EA	
6	059105-000	CORD, PWR, BM, LEAD TERMINALS	1	EA	



Appendix A:Pages Index

Cab Bottom View 1
Cab Front View2
Control View 6
Decor View 7
Door View 8
Electrical View 9
Interior Shelving View 5
Lo Side Asm View 3
Water System View 4



Appendix B:Parts Index

007301-000	3	062115-000	8
013397-000	6	062702-000	7
030926-000	1	062978-000	7, 8
035647-000	8	063269-501	6
042764-000	5	063343-000	9
042766-000	6	063501-000	6
046358-000	5	063609-000	6
050844-000	3	063683-000	6
053520-000	6	063717-000	9
053541-000	6	063841-000	4
053739-000	1	063926-000	1
054296-000	1	064124-000	3
054600-000	1	064232-000	4
054688-000	3	064288-000	1
055017-000	4	064293-000	1
055051-000	1	064531-000	7
055054-000	1	064606-000	3
056228-000	3	064608-000	3
057498-000	4	064610-000	3
057813-000	3	064612-000	3
057884-000	8	064761-000	8
057885-000	8	064797-000	2
058225-000	8	064978-000	4
058451-000	4	064984-000	5
058535-000	3	065022-000	4
058677-000	7	065242-000	8
058753-000	5	065257-000	1
059022-000	3	065262-000	3
059043-000	7	065273-000	1
059105-000	9	065307-000	5
059487-000	6	065322-000	5
059650-000	3	065334-000	8
059774-000	6	065341-000	5
060129-000	1	065345-000	6
060263-000	4	065367-000	6
061164-000	6	065369-000	6
061295-000	8	065421-000	7
061687-000	8	065424-000	6
061701-000	8	065468-000	1
062095-000	8	065482-000	9
		065491-000	3, 9



065572-000	7	070306-603	7
065576-000	7	070487-000	6
065617-000	7	071771-006	5
065631-000	8	071868-000	8
065633-000	8	072399-000	5
065660-000	1	072400-000	5
065696-000	8	073023-000	7
065713-000	1	075916-000	3
065888-000	1	10547001	1
065890-000	1	C8983701	3
066115-000	1	M0210458	6
066521-000	4	M0221523	1
066678-000	8	M0274067	3
066702-000	1	PA070016	4
066705-000	1	PD020013	6
066799-000	4	PD020194	3
067036-000	1	PD920161	3
067037-000	1	PD950012	3, 7, 7
067201-000	3	PD950013	3, 7
067217-000	7	PE950149	6
067221-000	7	f2097740	1
067299-000	5		
067315-000	8		
067316-000	8		
067351-000	3		
067403-000	4		
067439-000	1		
067449-000	4		
067451-000	4		
067452-000	1		
067495-000	5		
067578-000	7		
067997-601	3		
068001-000	3		
068187-000	3		
068507-000	1		
068523-000	9		
068685-501	6		
069589-006	5		
069590-006	5		
069655-000	4		