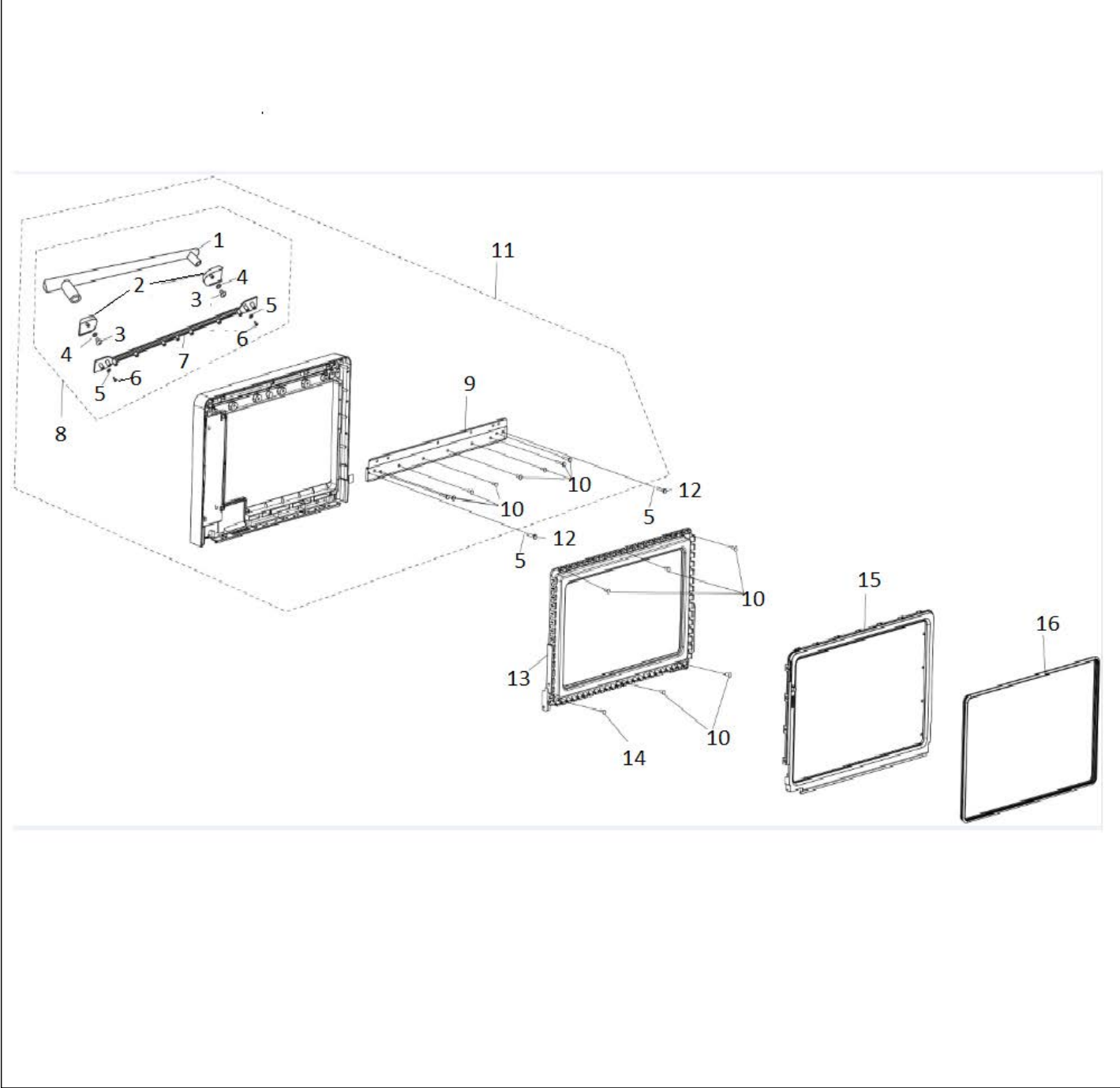


MVSO C530SS

30" STEAM/CONV OVEN W/TRIM KIT

MVSOC530SS-Door Asm	1
MVSOC530SS-Pump and Tank Asm	2
MVSOC530SS-Control and Cooling Fan Asm	3
MVSOC530SS-Steam Duct Asm	4
MVSOC530SS-Sirroco Motor-2	5
MVSOC530SS-Motor and Damper Assembly-2	6
MVSOC530SS-Sirroco Motor-1	7
MVSOC530SS-Motor and Damper Assembly-1	8
MVSOC530SS-Chassis	9
MVSOC530SS-Mounting Asm	10
MVSOC530SS Misc Parts	11
Appendix A:Pages Index	A
Appendix B:Parts Index	B

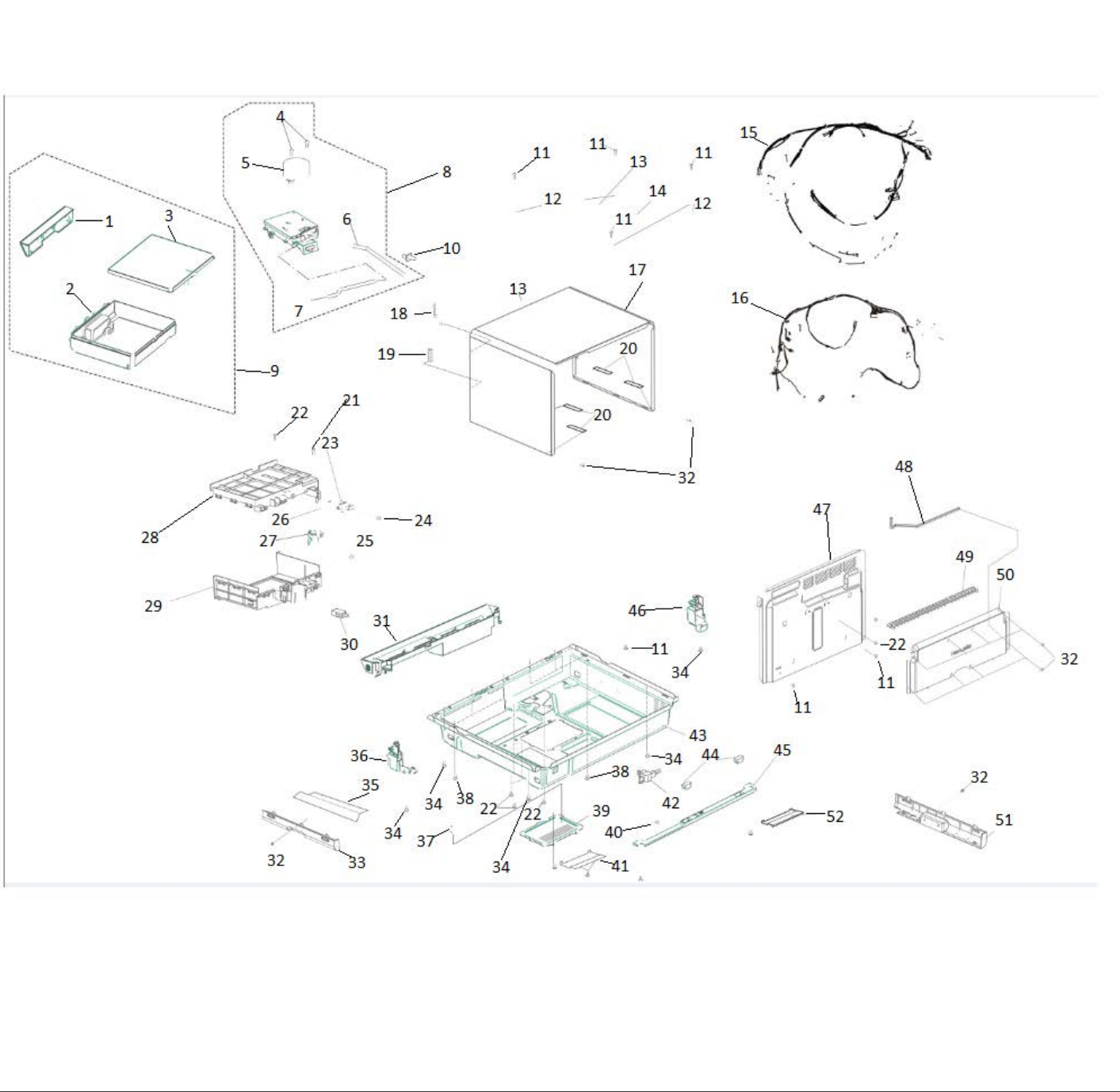
MVSOC530SS-Door Asm



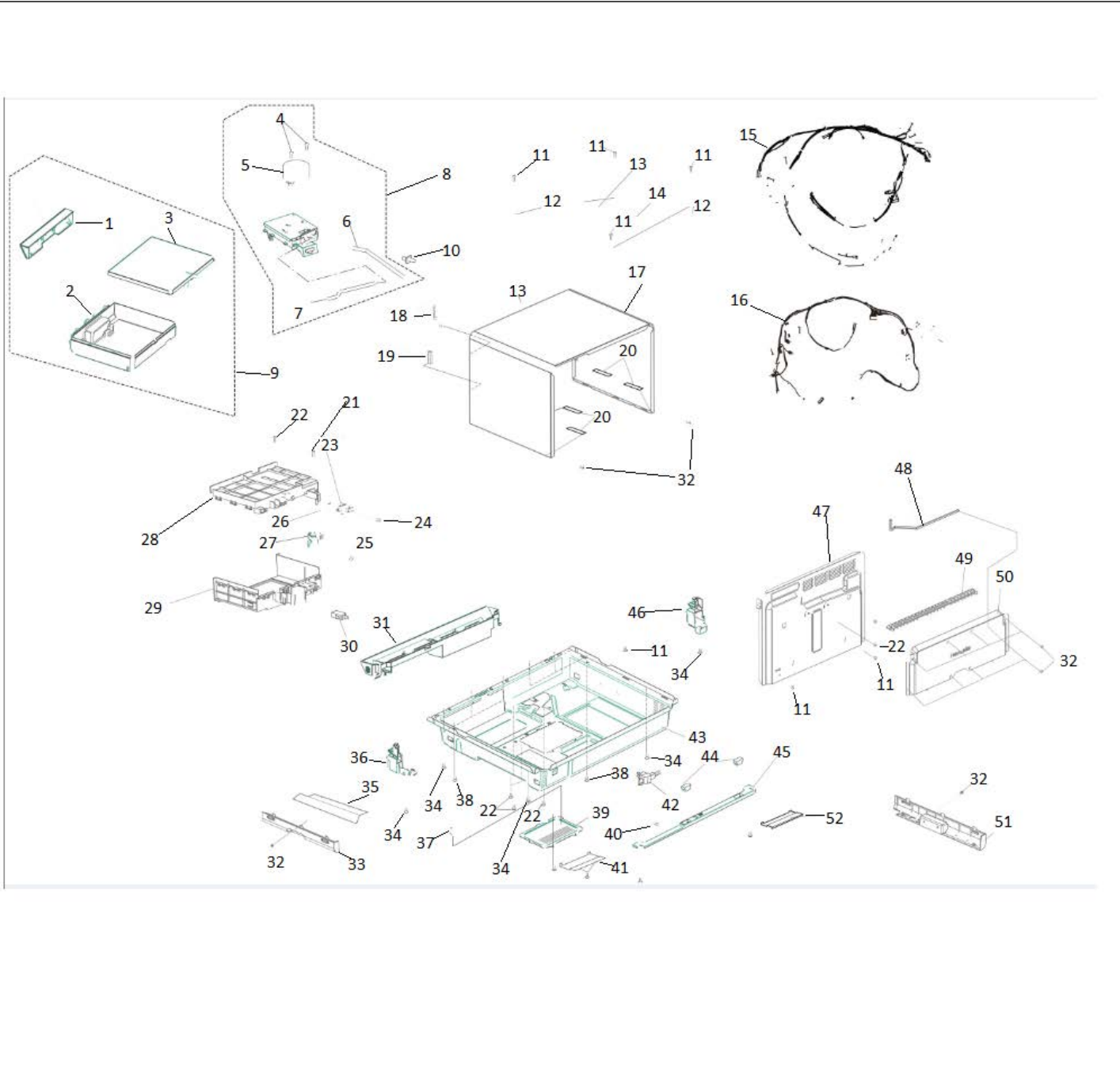


Item	Part No.	Name	Qty	Uom	NOTES
1	063031-000	Door handle (includes set screw)	1	EA	
2	063049-000	Handle adapter	2	EA	
3	063059-000	Screw	2	EA	
4	063061-000	Split washer	2	EA	
5	063190-000	WASHER	4	EA	
6	063056-000	Screw	2	EA	
7	063052-000	Glass holder	1	EA	
8	063014-000	HANDLE ASSY	1	EA	
9	063033-000	DOOR SUPPORT ANGLE	1	EA	
10	063184-000	SCREW	13	EA	
11	063011-000	DOOR ASSY	1	EA	
12	063182-000	Screw 25mm	2	EA	
13	063013-000	DOOR PANEL ASSY	1	EA	
14	063183-000	SCREW	1	EA	
15	063024-000	DOOR COVER	1	EA	
16	063146-000	DOOR PACKING	1	EA	

MVSOC530SS-Pump and Tank Asm



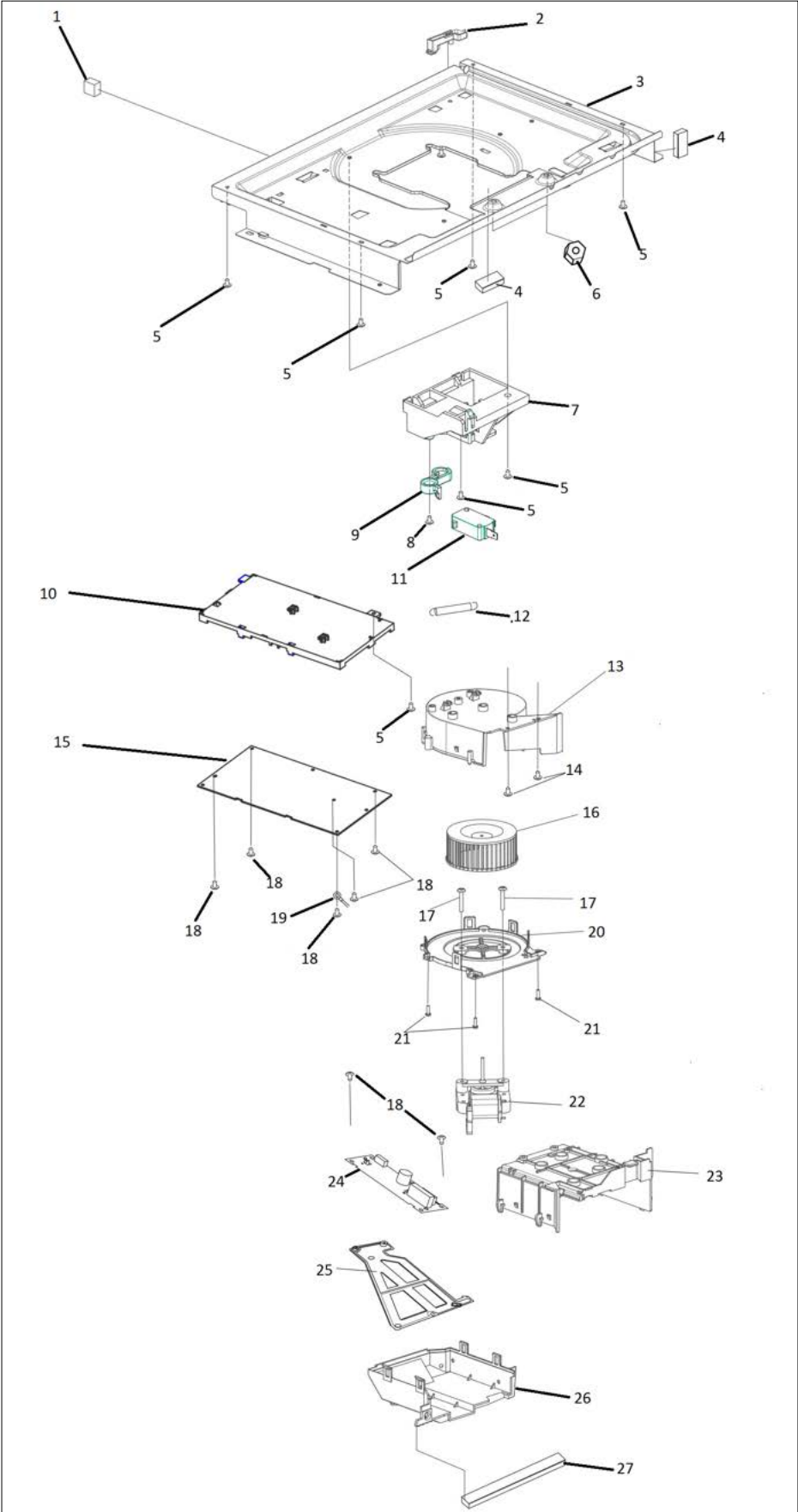
Item	Part No.	Name	Qty	Uom	NOTES
1	063086-000	TANK COVER	1	EA	
2	063164-000	TANK	1	EA	
3	063134-000	TANK LID	1	EA	
4	063186-000	SCREW	2	EA	
5	063170-000	PUMP MOTOR	1	EA	
6	063166-000	PUMP TUBE	1	EA	
7	063165-000	PUMP TUBE	1	EA	
8	063006-000	TUBE PUMP ASSY	1	EA	
9	063009-000	TANK ASSY	1	EA	
10	063142-000	TUBE JOINT	1	EA	
11	PM120159	SCREW	7	EA	
12	063098-000	DUCT PLUG	2	EA	
13	062637-000	DOOR CUSHION HORIZONTAL	2	EA	
14	063121-000	TOP DUCT	1	EA	
15	063020-000	MAIN HARNESS	1	EA	
16	063021-000	CONTROL HARNESS	1	EA	
17	063023-000	OUTERCASE	1	EA	
18	063099-000	CUSHION	1	EA	
19	063111-000	CUSHION	1	EA	
20	063156-000	CUSHION	4	EA	
21	022262-000	SCREW; 3MM X 10MM	1	EA	
22	028765-000	SCREW	6	EA	
23	063141-000	TUBE JOINT	1	EA	
24	037096-000	SCREW, 3MM X 10MM	1	EA	
25	063075-000	LATCH SPRING	1	EA	
26	063147-000	TANK PACKING	1	EA	
27	063070-000	TANK LEVER	1	EA	
28	063084-000	TANK COVER UPPER	1	EA	
29	063087-000	TANK COVER LOWER	1	EA	
30	063005-000	SWITCH	1	EA	
31	063028-000	DEW TRAY	1	EA	
32	PM120146	SCREW : 4MM X 12MM	6	EA	
33	063026-000	SIDE COVER R	1	EA	





Item	Part No.	Name	Qty	Uom	NOTES
34	037123-000	SPECIAL SCREW	6	EA	
35	063041-000	HANDLE MOLTEN DISCHARGE COVER	1	EA	
36	063138-000	DEW TRAY GUIDE R	1	EA	
37	063050-000	CORD HOLDER	1	EA	
38	037148-000	SCREW, 4MM X 10MM	2	EA	
39	063083-000	BOTTOM COVER	1	EA	
40	063188-000	SCREW	1	EA	
41	063040-000	BOTTOM MOLTEN DISCHARGE COVER	1	EA	
42	PM100002	POWER CORD	1	EA	
43	063029-000	BOTTOM PLATE	1	EA	
44	037146-000	STOPPER	2	EA	
45	037145-000	BACK SHADE GUIDE	1	EA	
46	063137-000	DEW TRAY GUIDE L	1	EA	
47	063022-000	BACK PLATE	1	EA	
48	063110-000	CUSHION	1	EA	
49	063136-000	EXHAUST AIR GUIDE	1	EA	
50	063027-000	EXHAUST COVER	1	EA	
51	063025-000	SIDE COVER L	1	EA	
52	063039-000	BOTTOM MOLTEN DISCHARGE COVER	1	EA	

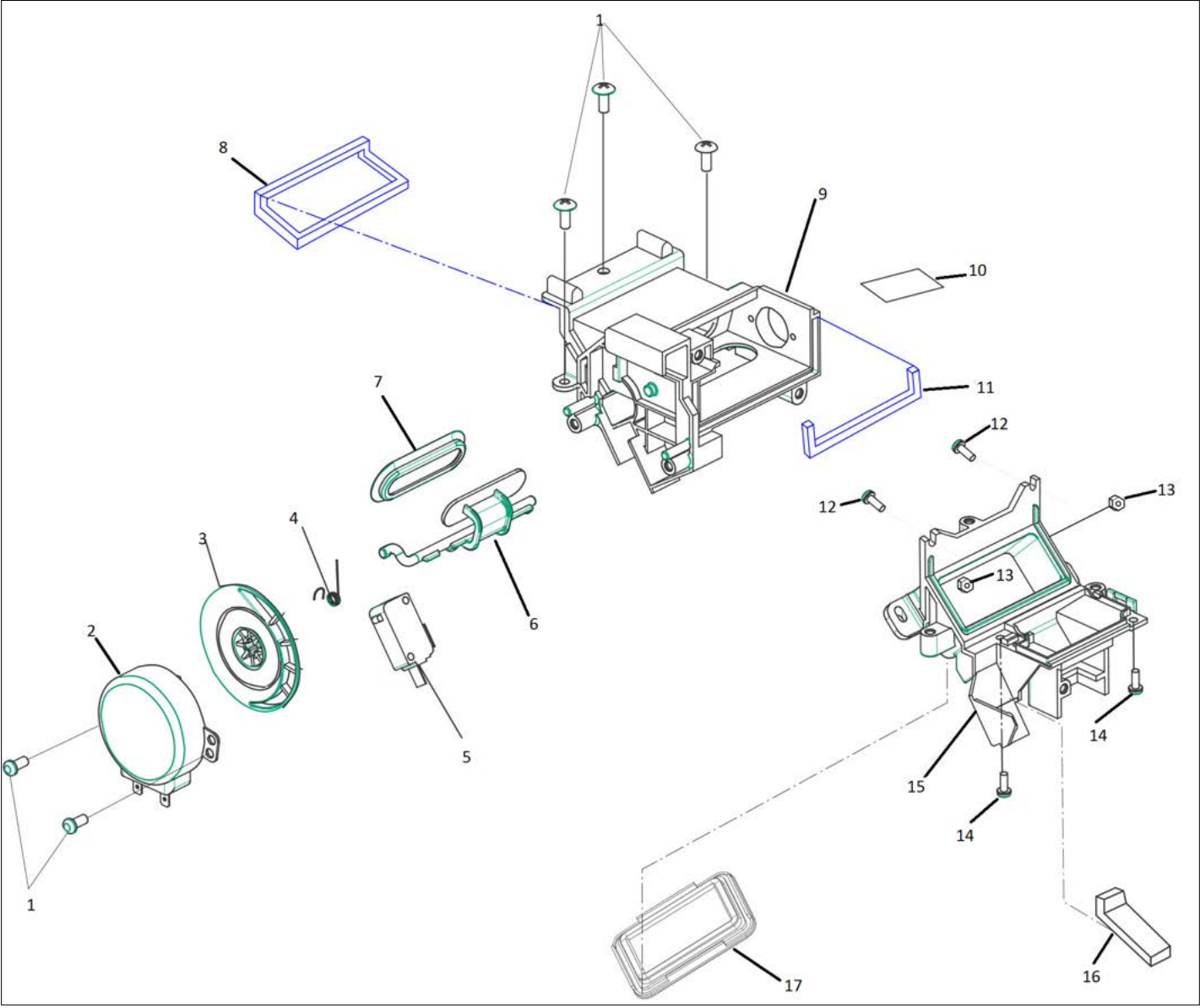
MVSOC530SS-Control and Cooling Fan Asm





Item	Part No.	Name	Qty	Uom	NOTES
1	063105-000	CUSHION	1	EA	
2	063139-000	DRAIN	1	EA	
3	063162-000	HEAT COVER BOTTOM ASY	1	EA	
4	063118-000	CUSHION	2	EA	
5	037123-000	SPECIAL SCREW	7	EA	
6	022316-000	NUT: 4MM X 3.2MM	2	EA	
7	063046-000	SWITCH HOLDER	1	EA	
8	022262-000	SCREW; 3MM X 10MM	1	EA	
9	063066-000	DEW TRAY LEVER	1	EA	
10	063047-000	PWB HOLDER	1	EA	
11	063005-000	SWITCH	1	EA	
12	063075-000	LATCH SPRING	1	EA	
13	063126-000	FAN DUCT	1	EA	
14	063184-000	SCREW	2	EA	
15	063008-000	CONTROL UNIT	1	EA	
16	063078-000	FAN	1	EA	
17	PM120148	SCREW : 3MM X 14MM	2	EA	NO LONGER AVAILABLE, Not available online / Call for pricing and availability
18	037096-000	SCREW, 3MM X 10MM	7	EA	
19	037039-000	WIRE HOLDER	1	EA	
20	063089-000	FAN DUCT COVER	1	EA	
21	028765-000	SCREW	3	EA	
22	063171-000	FAN MOTOR	1	EA	
23	063169-000	INV. CASE	1	EA	
24	062576-000	SW PSU	1	EA	
25	063048-000	PWB HOLDER	1	EA	
26	063082-000	INV COVER	1	EA	
27	063103-000	CUSHION	1	EA	

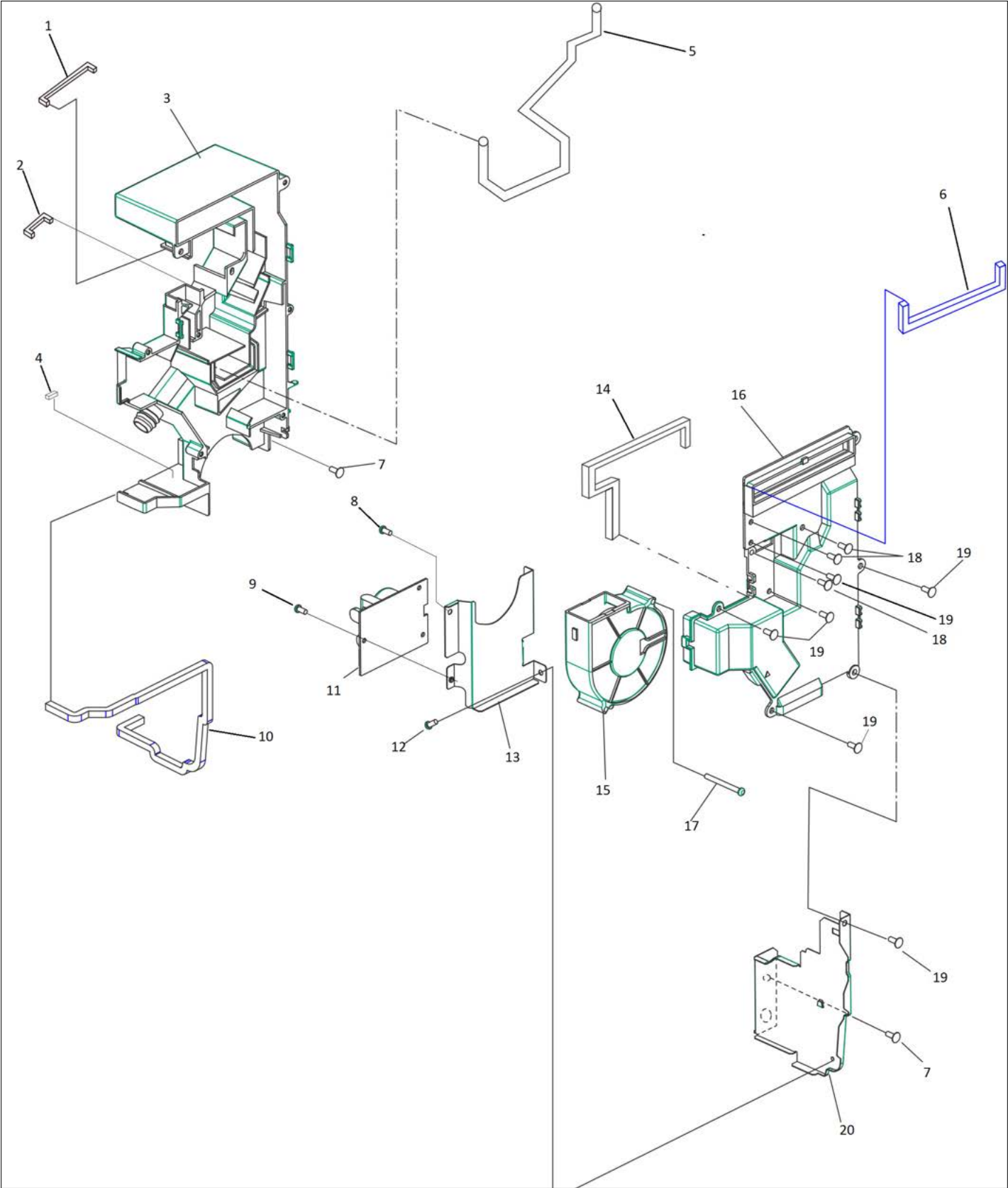
MVSOC530SS-Steam Duct Asm





Item	Part No.	Name	Qty	Uom	NOTES
1	036981-000	SCREW ;4MM X 10MM	5	EA	
2	037060-000	TURNTABLE MOTOR (ANTENNA MOTOR)	1	EA	
3	063079-000	EXHAUST DAMPER CAM	1	EA	
4	063072-000	EXHAUST DAMPER SP	1	EA	
5	063005-000	SWITCH	1	EA	
6	063119-000	EXHAUST DAMPER	1	EA	
7	063143-000	DAMPER PACKING 2	1	EA	
8	063149-000	STEAM DUCT PAC	1	EA	
9	063123-000	EXHAUST DUCT UPPER	1	EA	
10	063096-000	SENSOR COVER PLATE	1	EA	
11	063148-000	EXHAUST DUCT PAC A	1	EA	
12	028765-000	SCREW	2	EA	
13	022316-000	NUT: 4MM X 3.2MM	2	EA	
14	063181-000	SCREW	2	EA	
15	063124-000	EXHAUST DUCT LOWER	1	EA	
16	063114-000	CUSHION	1	EA	
17	063145-000	DAMPER DUCT PAC	1	EA	

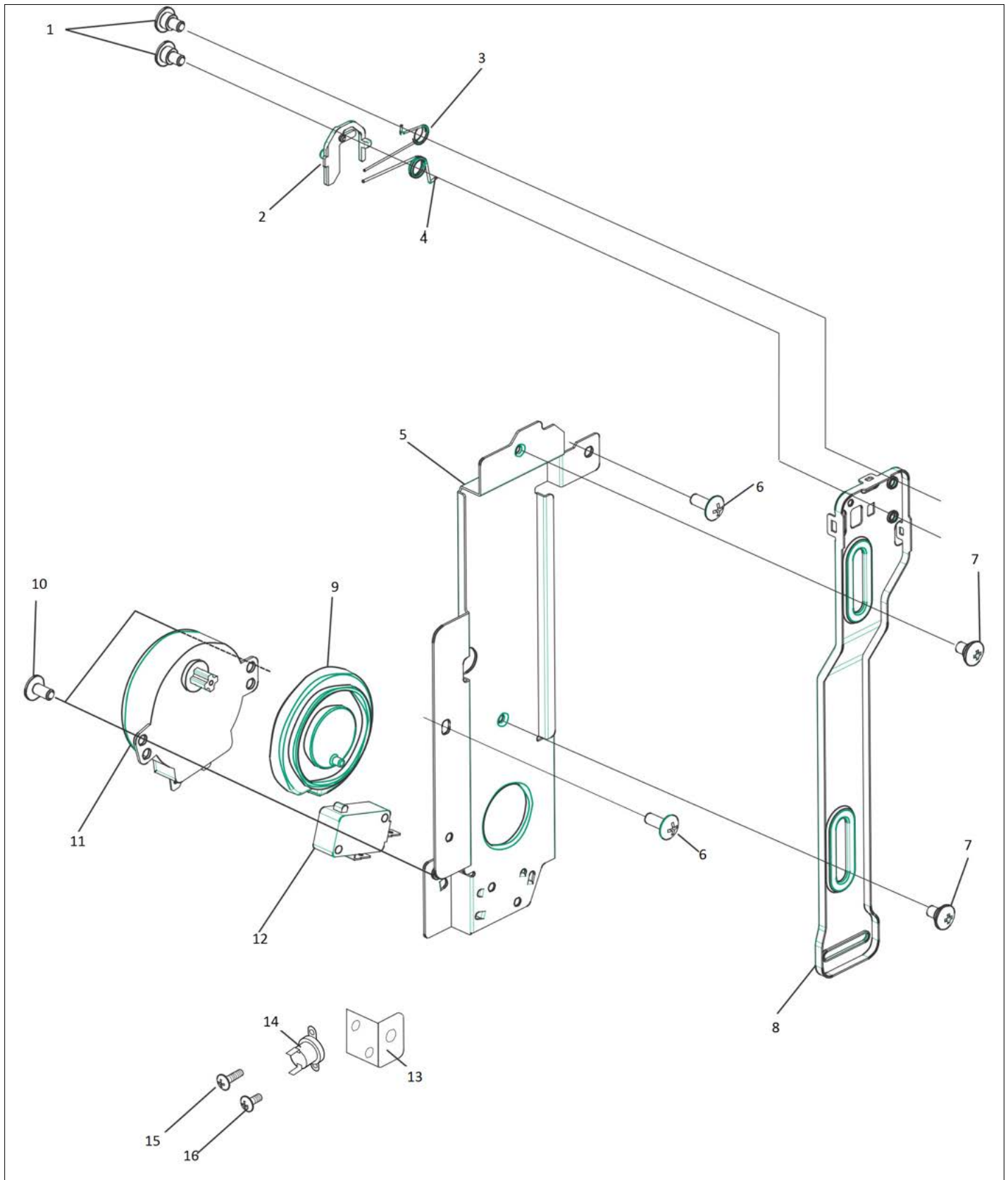
MVSOC530SS-Sirroco Motor-2





Item	Part No.	Name	Qty	Uom	NOTES
1	063109-000	CUSHION	1	EA	
2	063116-000	CUSHION	1	EA	
3	063129-000	STEAM DUCT	1	EA	
4	063117-000	CUSHION	1	EA	
5	063149-000	STEAM DUCT PAC	1	EA	
6	063108-000	CUSHION	1	EA	
7	037123-000	SPECIAL SCREW	2	EA	
8	037170-000	SCREW, 4MM X 8MM	1	EA	
9	037052-000	SPECIAL SCREW	1	EA	
10	063101-000	CUSHION	1	EA	
11	012019-000	NOISE FILTER UNIT	1	EA	
12	PM120159	SCREW	1	EA	
13	063035-000	NOISE FILTER ANGLE	1	EA	
14	063115-000	CUSHION	1	EA	
15	036992-000	FAN MOTOR	1	EA	
16	063093-000	STEAM DUCT COVER	1	EA	
17	036989-000	SCREW; 4MM X 40MM	1	EA	
18	063184-000	SCREW	3	EA	
19	028765-000	SCREW	6	EA	
20	063135-000	MG AIR GUIDE	1	EA	

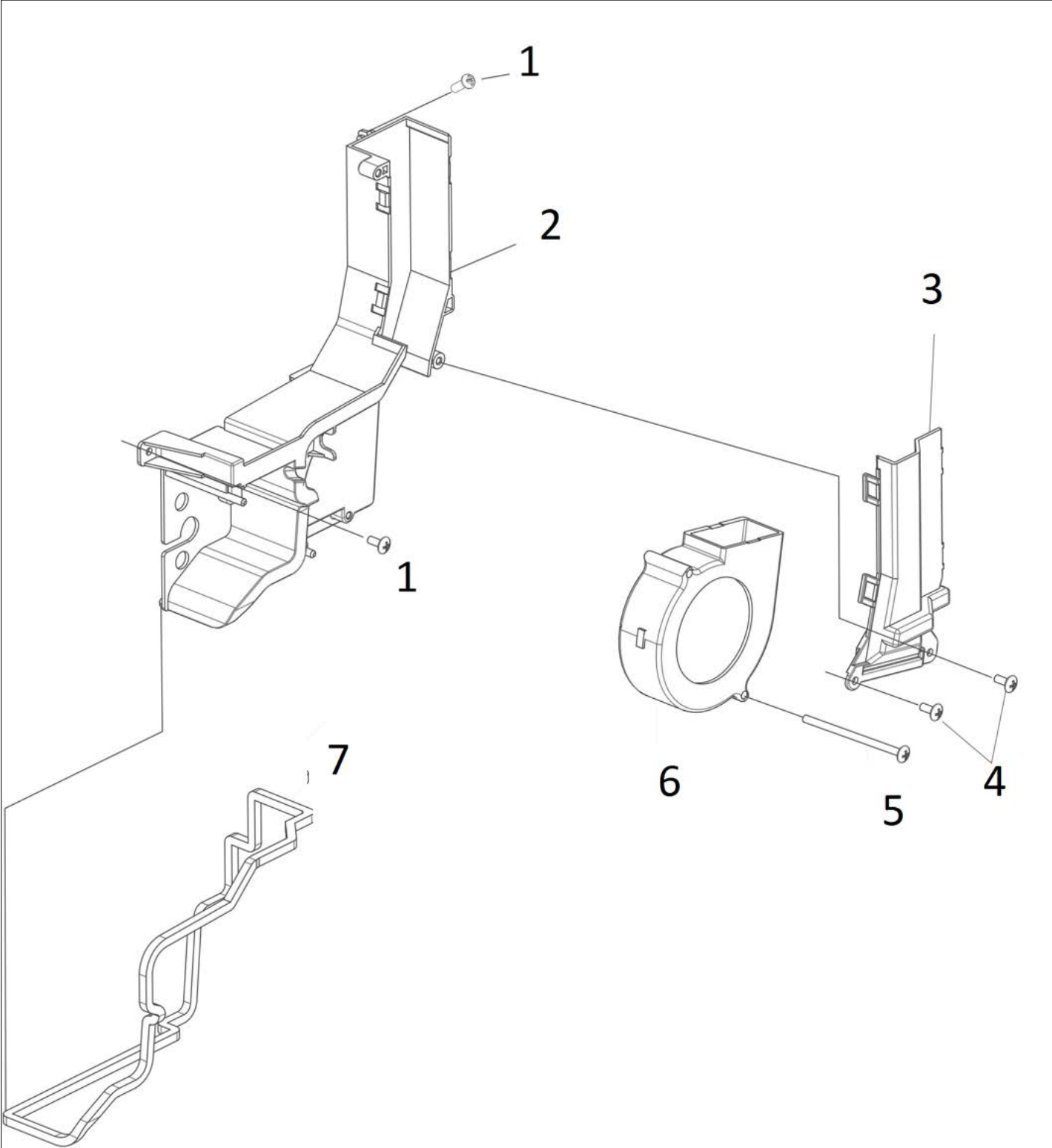
MVSOC530SS-Motor and Damper Assembly-2





Item	Part No.	Name	Qty	Uom	NOTES
1	063054-000	SPECIAL SCREW	2	EA	
2	063051-000	SPRING STOPPER	1	EA	
3	063073-000	UPPER SPRING	1	EA	
4	063074-000	LOWER SPRING	1	EA	
5	063032-000	SLIDER MOUNT ANGLE	1	EA	
6	037123-000	SPECIAL SCREW	2	EA	
7	063053-000	SPECIAL SCREW	2	EA	
8	063071-000	SLIDER	1	EA	
9	063062-000	DAMPER CAM	1	EA	
10	005228-000	SCREW : 4 MM X 8 MM	2	EA	NO LONGER AVAILABLE, Not available online / Call for pricing and availability
11	037060-000	TURNTABLE MOTOR (ANTENNA MOTOR)	1	EA	
12	063005-000	SWITCH	1	EA	
13	063038-000	THERMO CUT OUT BRACKET	1	EA	
14	063172-000	THERMO CUT OUT	1	EA	
15	028721-000	SCREW	1	EA	
16	063185-000	SCREW	1	EA	

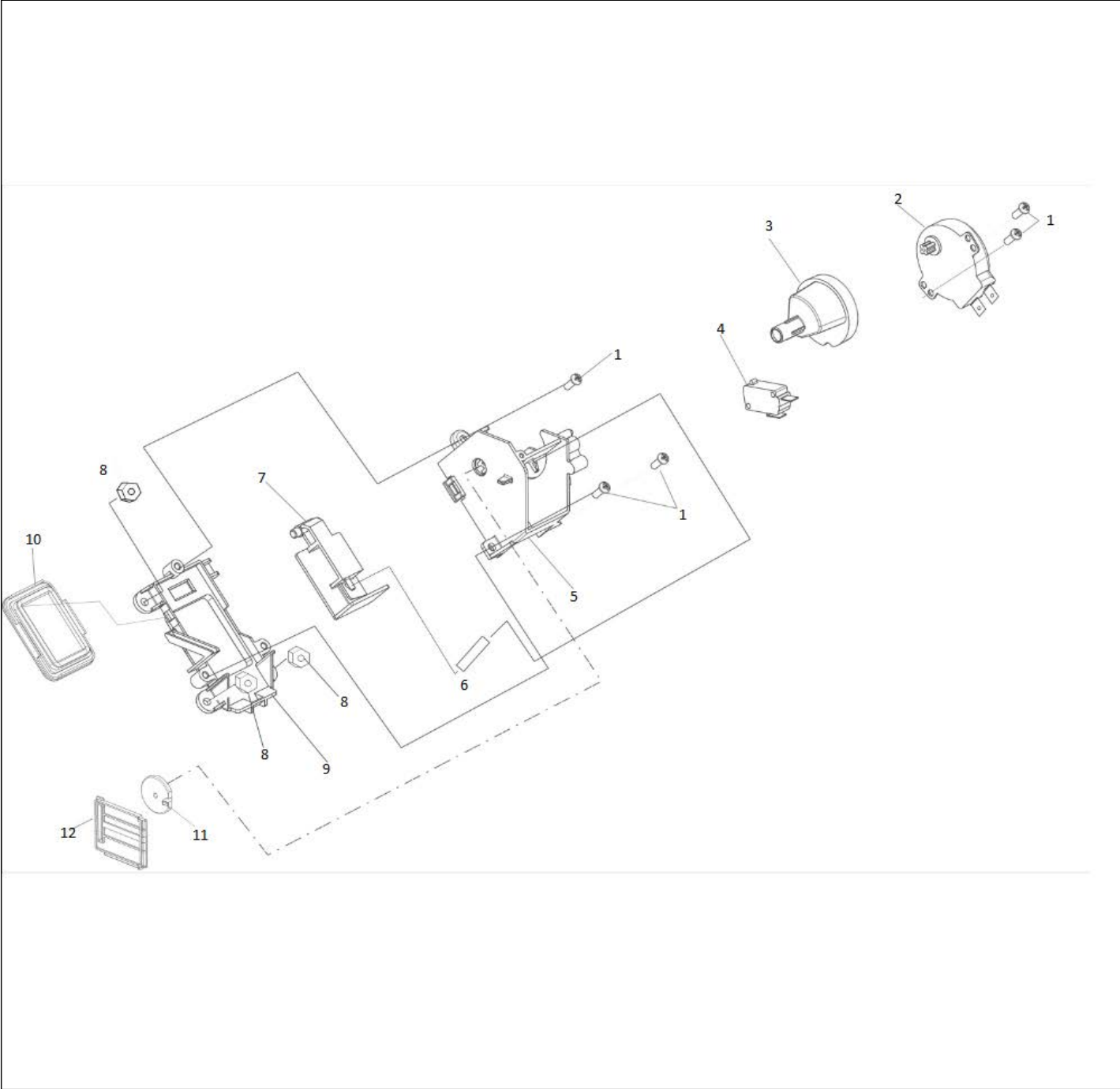
MVSOC530SS-Sirroco Motor-1





Item	Part No.	Name	Qty	Uom	NOTES
1	037123-000	SPECIAL SCREW	2	EA	
2	063127-000	INTAKE DUCT LOWER	1	EA	
3	063091-000	INTAKE DUCT COVER LOWER	1	EA	
4	028765-000	SCREW	2	EA	
5	036989-000	SCREW; 4MM X 40MM	1	EA	
6	036992-000	FAN MOTOR	1	EA	
7	063100-000	CUSHION	1	EA	

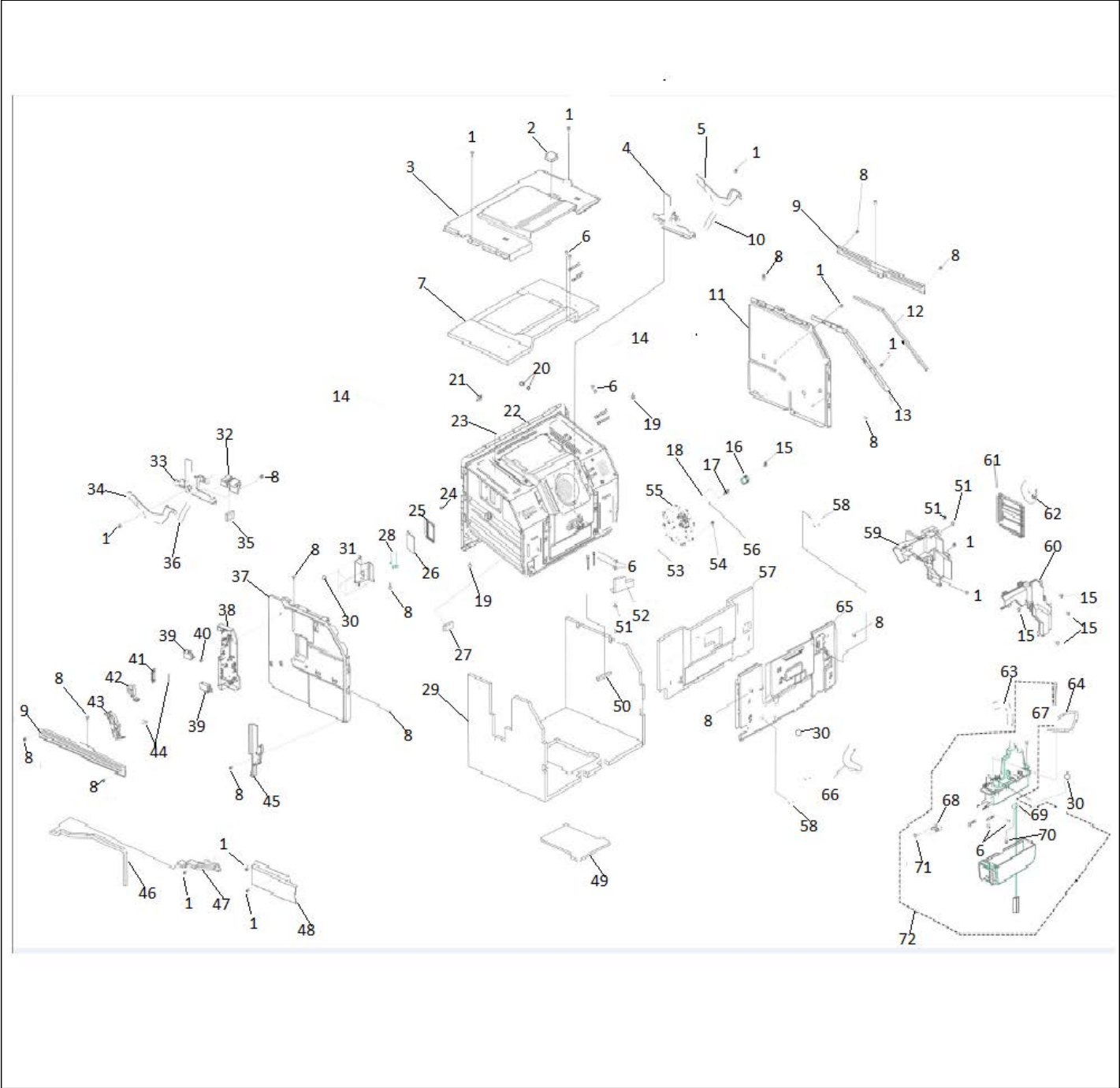
MVSOC530SS-Motor and Damper Assembly-1



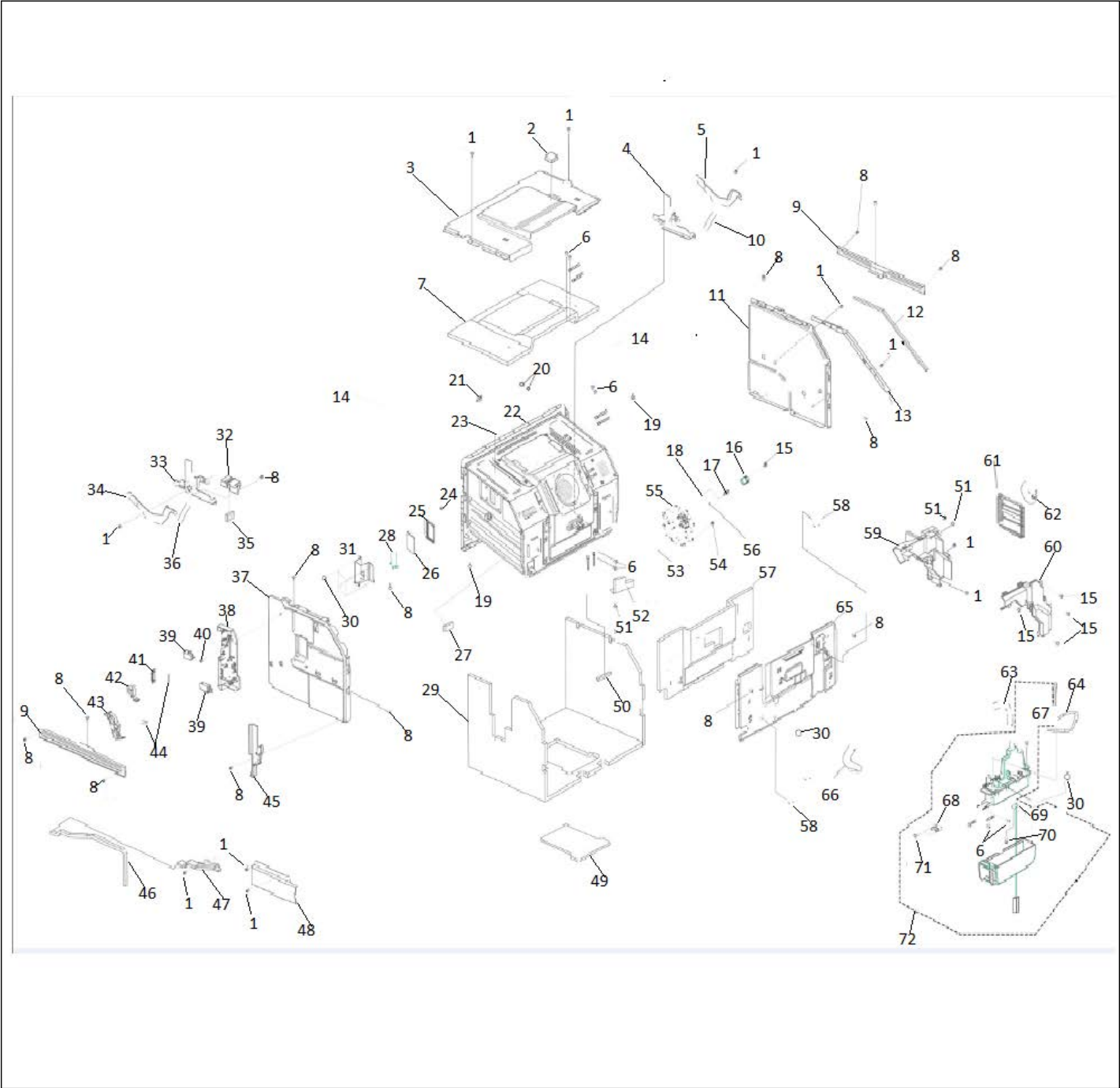


Item	Part No.	Name	Qty	Uom	NOTES
1	036981-000	SCREW ;4MM X 10MM	5	EA	
2	037060-000	TURNTABLE MOTOR (ANTENNA MOTOR)	1	EA	
3	063080-000	INTAKE DAMPER CAM	1	EA	
4	063005-000	SWITCH	1	EA	
5	063088-000	INTAKE DUCT COVER	1	EA	
6	063075-000	LATCH SPRING	1	EA	
7	063120-000	INTAKE DAMPER	1	EA	
8	022316-000	NUT: 4MM X 3.2MM	3	EA	
9	063122-000	INTAKE DUCT	1	EA	
10	063151-000	INTAKE DUCT PACKING	1	EA	
11	063081-000	SHUTTER SHAFT	1	EA	
12	063155-000	SHUTTER	1	EA	

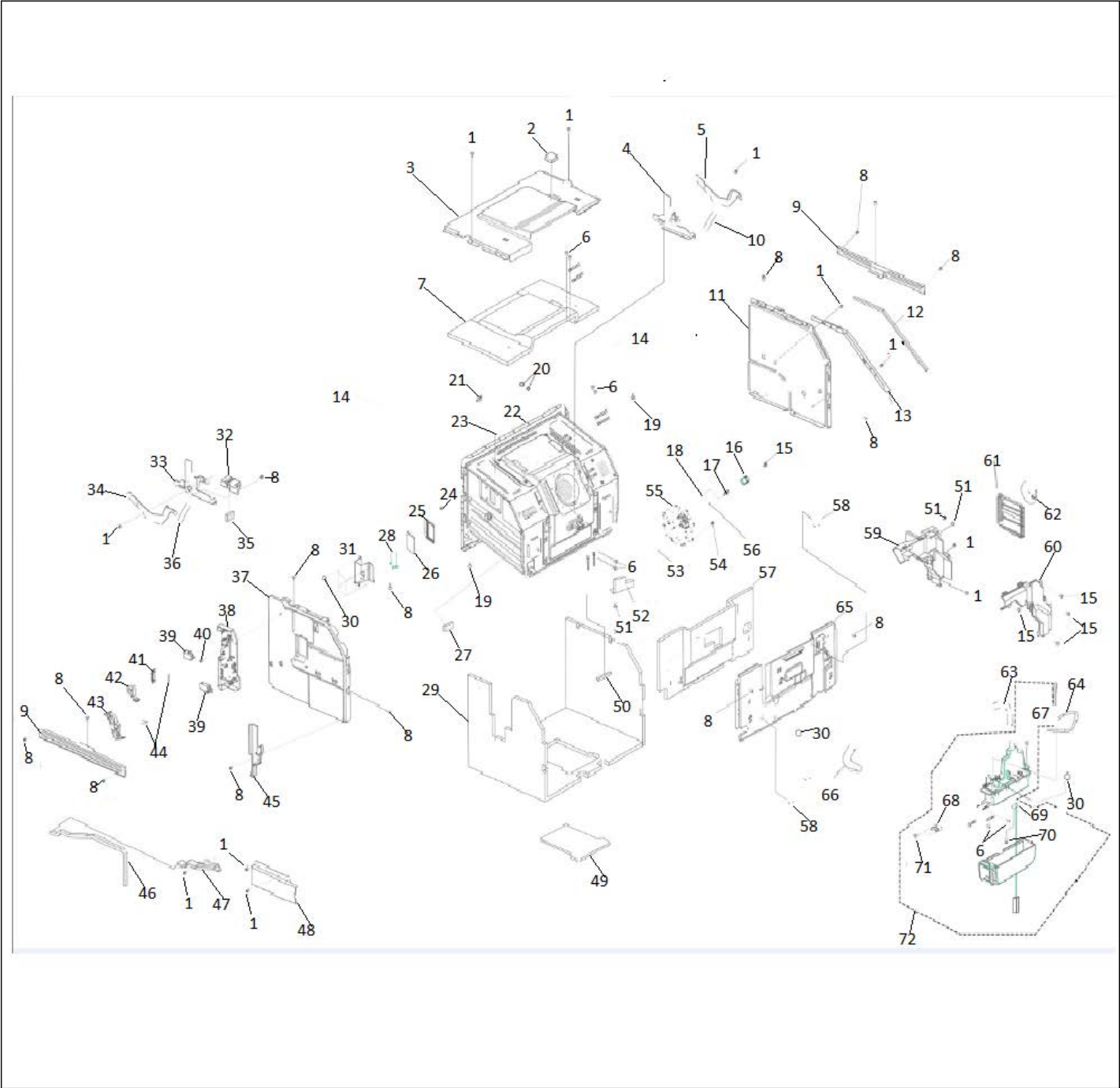
MVSOC530SS-Chassis



Item	Part No.	Name	Qty	Uom	NOTES
1	037123-000	SPECIAL SCREW	11	EA	
2	063113-000	CUSHION	1	EA	
3	063161-000	HEAT COVER UPPER	1	EA	
4	063149-000	STEAM DUCT PAC	1	EA	
5	063064-000	LEFT DOOR CAM	1	EA	
6	005226-000	SPECIAL SCREW	6	EA	
7	063132-000	HEAT INSULATION UPPER	1	EA	
8	PM120159	SCREW	20	EA	
9	063036-000	CHASSIS SUPPORT	2	EA	
10	063076-000	DOOR SPRING	1	EA	
11	063159-000	HEAT COVER LEFT	1	EA	
12	063102-000	CUSHION	1	EA	
13	063160-000	SEPARATE AG	1	EA	
14	063153-000	SHEET	2	EA	
15	028765-000	SCREW	5	EA	
16	063045-000	THERMISTOR HOLDER	1	EA	
17	037053-000	THERMISTOR (OVEN)	1	EA	
18	063144-000	THERMISTOR PACKING	1	EA	
19	037148-000	SCREW, 4MM X 10MM	2	EA	
20	063060-000	SPECIAL NUT	2	EA	
21	063174-000	THERMAL CUTOUT OPEN-230/CLOSE-150	1	EA	
22	063007-000	OVEN ASSY	1	EA	
23	063042-000	THERMO PLATE	1	EA	
24	PM120003	SCREW	1	EA	NO LONGER AVAILABLE
25	037067-000	LAMP PACKING	1	EA	
26	063140-000	LAMP GLASS	1	EA	
27	063106-000	CUSHION	2	EA	
28	PM100065	LIGHT BULB	1	EA	
29	063131-000	HEAT INSULATION LOW	1	EA	
30	022316-000	NUT: 4MM X 3.2MM	3	EA	
31	037003-000	LAMP MOUNTING ANGLE	1	EA	
32	063094-000	WIRE PROTECT COVER	1	EA	



Item	Part No.	Name	Qty	Uom	NOTES
33	063016-000	RIGHT HINGE ASSY	1	EA	
34	063065-000	RIGHT DOOR CAM	1	EA	
35	063111-000	CUSHION	1	EA	
36	063077-000	DOOR SPRING	1	EA	
37	063158-000	HEAT COVER RIGHT	1	EA	
38	063034-000	LATCH BASE AG	1	EA	
39	062583-000	SECONDARY/THIRD/STOP SWITCH	2	EA	
40	063055-000	SPECIAL SCREW	1	EA	
41	063154-000	SHUTTER	1	EA	
42	063068-000	DOOR SWITCH LEVER	1	EA	
43	063067-000	SWITCH LEVER	1	EA	
44	063075-000	LATCH SPRING	2	EA	
45	063095-000	HARNESS COVER	1	EA	
46	063107-000	CUSHION	1	EA	
47	063085-000	SIDE DUCT ANGLE LOWER	1	EA	
48	063125-000	SIDE DUCT	1	EA	
49	063133-000	HEAT INSULATION LOWER	1	EA	
50	063104-000	CUSHION	1	EA	
51	037096-000	SCREW, 3MM X 10MM	3	EA	
52	063037-000	INSULATION PLATE	1	EA	
53	063150-000	CYCLE PACKING	1	EA	
54	063180-000	SCREW	8	EA	
55	063018-000	CYCLE UNIT ASSY	1	EA	
56	063181-000	SCREW	1	EA	
57	063130-000	HEAT INSULATION REAR	1	EA	
58	063050-000	CORD HOLDER	2	EA	
59	063128-000	INTAKE DUCT UPPER	1	EA	
60	063092-000	INTAKE DUCT COVER UPPER	1	EA	
61	063155-000	SHUTTER	1	EA	
62	063081-000	SHUTTER SHAFT	1	EA	
63	063167-000	STEAM TUBE	1	EA	
64	063168-000	PUMP TUBE	1	EA	

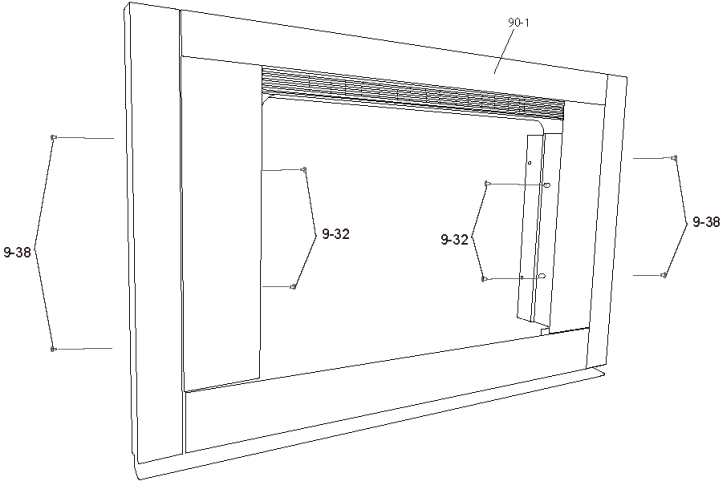




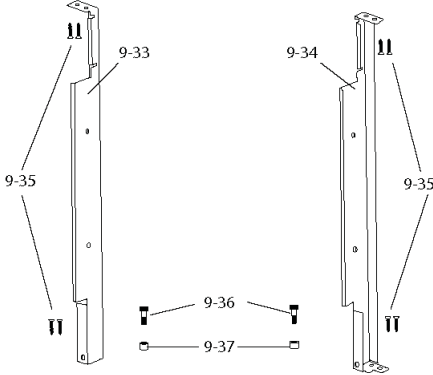
Item	Part No.	Name	Qty	Uom	NOTES
65	063157-000	HEAT COVER REAR	1	EA	
66	063152-000	EXHAUST PIPE	1	EA	
67	028765-000	SCREW	1	EA	
68	063173-000	SH THERMOSTAT	1	EA	
69	037050-000	THERMISTOR (ENGINE)	1	EA	
70	063187-000	SCREW	1	EA	
71	005226-000	SPECIAL SCREW	1	EA	
72	063019-000	ENGINE UNIT	1	EA	

MVSOC530SS-Mounting Asm

BIK MOUNT



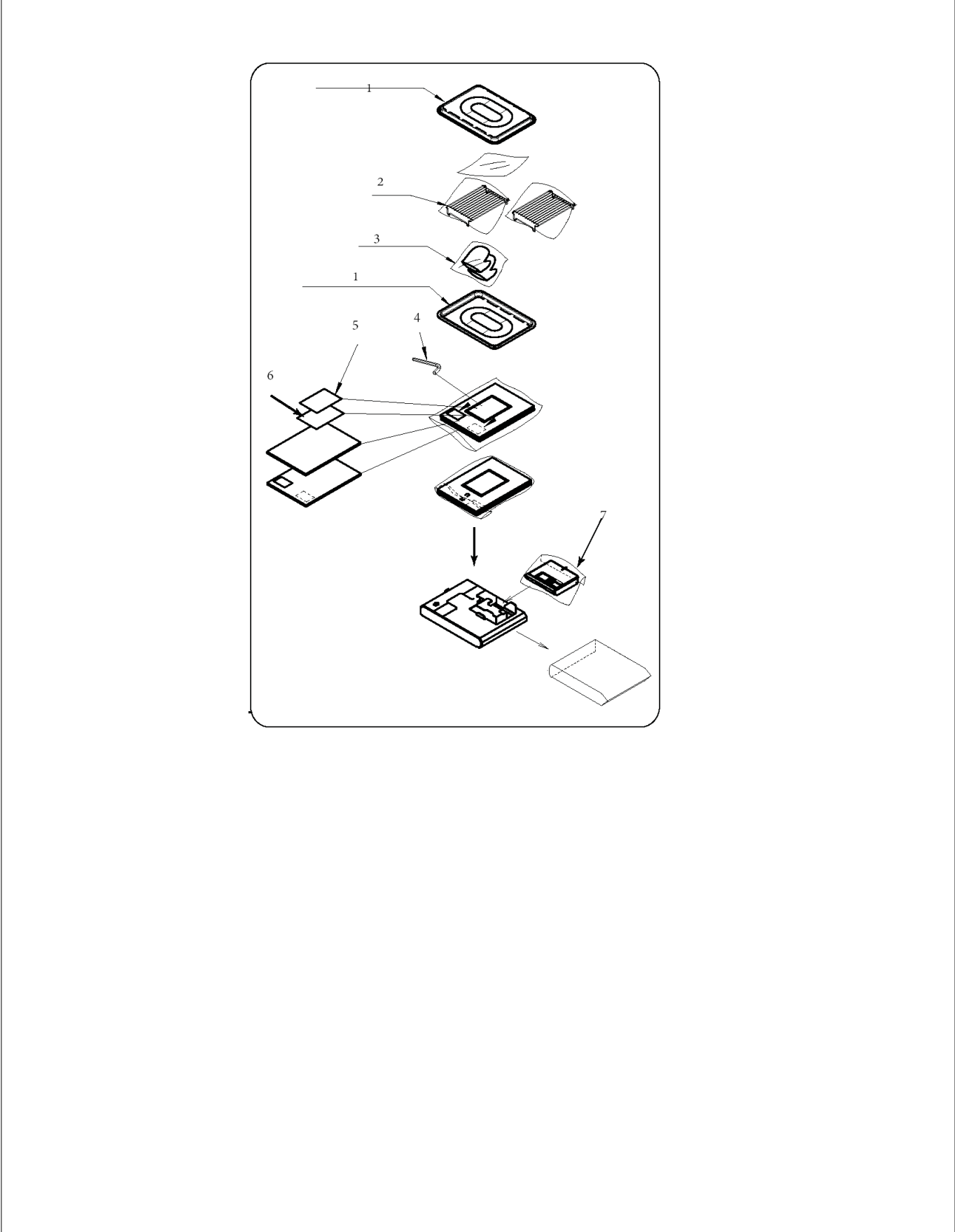
MOUNTING HARDWARE





Item	Part No.	Name	Qty	Uom	NOTES
1	PM120159	SCREW	4	EA	
2	063058-000	MOUTING BOLT	4	EA	
3	063012-000	BIK MOUNT	1	EA	
4	063189-000	WOOD SCREW	8	EA	
5	063043-000	LEFT MOUNTING BRACKET	1	EA	
6	063044-000	RIGHT MOUNTING BRACKET	1	EA	
7	063057-000	SHOULDER BOLT	2	EA	
8	064200-000	SHOULDER BOLT SLEEVE	2	EA	

MVSOC530SS Misc Parts





Item	Part No.	Name	Qty	Uom	NOTES
1	063163-000	BASE TRAY	2	EA	
2	063177-000	RACK	2	EA	
3	063178-000	MITTENS	1	EA	
4	063179-000	ALLEN WRENCH 2.5MM	1	EA	
5	063175-000	OPERATION MANUAL	1	EA	
6	063176-000	INSTALATION MANUAL	1	EA	
7	063009-000	TANK ASSY	1	EA	



Appendix A:Pages Index

MVSOC530SS Misc Parts 11
MVSOC530SS-Chassis 9
MVSOC530SS-Control and Cooling Fan Asm 3
MVSOC530SS-Door Asm 1
MVSOC530SS-Motor and Damper Assembly-1 8
MVSOC530SS-Motor and Damper Assembly-2 6
MVSOC530SS-Mounting Asm 10
MVSOC530SS-Pump and Tank Asm 2
MVSOC530SS-Sirroco Motor-1 7
MVSOC530SS-Sirroco Motor-2 5
MVSOC530SS-Steam Duct Asm 4



Appendix B:Parts Index

005226-000	9, 9	063022-000	2
005228-000	6	063023-000	2
012019-000	5	063024-000	1
022262-000	2, 3	063025-000	2
022316-000	3, 4, 8, 9	063026-000	2
028721-000	6	063027-000	2
028765-000	2, 3, 4, 5, 7, 9, 9	063028-000	2
036981-000	4, 8	063029-000	2
036989-000	5, 7	063031-000	1
036992-000	5, 7	063032-000	6
037003-000	9	063033-000	1
037039-000	3	063034-000	9
037050-000	9	063035-000	5
037052-000	5	063036-000	9
037053-000	9	063037-000	9
037060-000	4, 6, 8	063038-000	6
037067-000	9	063039-000	2
037096-000	2, 3, 9	063040-000	2
037123-000	2, 3, 5, 6, 7, 9	063041-000	2
037145-000	2	063042-000	9
037146-000	2	063043-000	10
037148-000	2, 9	063044-000	10
037170-000	5	063045-000	9
062576-000	3	063046-000	3
062583-000	9	063047-000	3
062637-000	2	063048-000	3
063005-000	2, 3, 4, 6, 8	063049-000	1
063006-000	2	063050-000	2, 9
063007-000	9	063051-000	6
063008-000	3	063052-000	1
063009-000	2, 11	063053-000	6
063011-000	1	063054-000	6
063012-000	10	063055-000	9
063013-000	1	063056-000	1
063014-000	1	063057-000	10
063016-000	9	063058-000	10
063018-000	9	063059-000	1
063019-000	9	063060-000	9
063020-000	2	063061-000	1
063021-000	2	063062-000	6
		063064-000	9



063065-000	9	063109-000	5
063066-000	3	063110-000	2
063067-000	9	063111-000	2, 9
063068-000	9	063113-000	9
063070-000	2	063114-000	4
063071-000	6	063115-000	5
063072-000	4	063116-000	5
063073-000	6	063117-000	5
063074-000	6	063118-000	3
063075-000	2, 3, 8, 9	063119-000	4
063076-000	9	063120-000	8
063077-000	9	063121-000	2
063078-000	3	063122-000	8
063079-000	4	063123-000	4
063080-000	8	063124-000	4
063081-000	8, 9	063125-000	9
063082-000	3	063126-000	3
063083-000	2	063127-000	7
063084-000	2	063128-000	9
063085-000	9	063129-000	5
063086-000	2	063130-000	9
063087-000	2	063131-000	9
063088-000	8	063132-000	9
063089-000	3	063133-000	9
063091-000	7	063134-000	2
063092-000	9	063135-000	5
063093-000	5	063136-000	2
063094-000	9	063137-000	2
063095-000	9	063138-000	2
063096-000	4	063139-000	3
063098-000	2	063140-000	9
063099-000	2	063141-000	2
063100-000	7	063142-000	2
063101-000	5	063143-000	4
063102-000	9	063144-000	9
063103-000	3	063145-000	4
063104-000	9	063146-000	1
063105-000	3	063147-000	2
063106-000	9	063148-000	4
063107-000	9	063149-000	4, 5, 9
063108-000	5	063150-000	9



063151-000	8	PM100002	2
063152-000	9	PM100065	9
063153-000	9	PM120003	9
063154-000	9	PM120146	2
063155-000	8, 9	PM120148	3
063156-000	2	PM120159	2, 5, 9, 10
063157-000	9		
063158-000	9		
063159-000	9		
063160-000	9		
063161-000	9		
063162-000	3		
063163-000	11		
063164-000	2		
063165-000	2		
063166-000	2		
063167-000	9		
063168-000	9		
063169-000	3		
063170-000	2		
063171-000	3		
063172-000	6		
063173-000	9		
063174-000	9		
063175-000	11		
063176-000	11		
063177-000	11		
063178-000	11		
063179-000	11		
063180-000	9		
063181-000	4, 9		
063182-000	1		
063183-000	1		
063184-000	1, 3, 5		
063185-000	6		
063186-000	2		
063187-000	9		
063188-000	2		
063189-000	10		
063190-000	1		
064200-000	10		