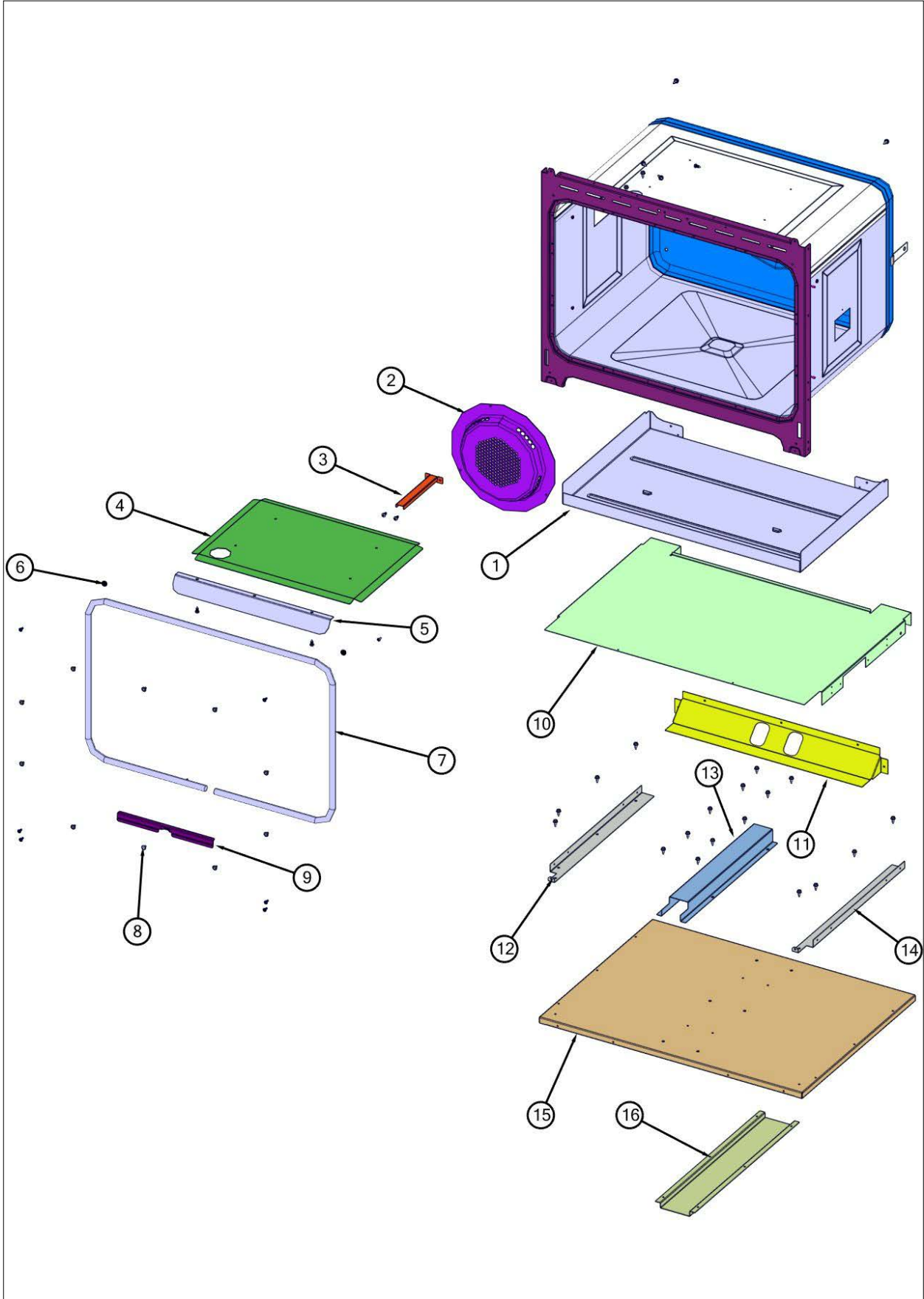


MVSOE630BG

Bottom and Interior Cavity View	1
Side and Rear Cavity View	2
Top Cavity View	3
Control View	4
Trim and Oven Rack View	5
Electrical View	6
Door View	7
Wiring View	8
Wiring Diagram View	9
Appendix A:Pages Index	A
Appendix B:Parts Index	B

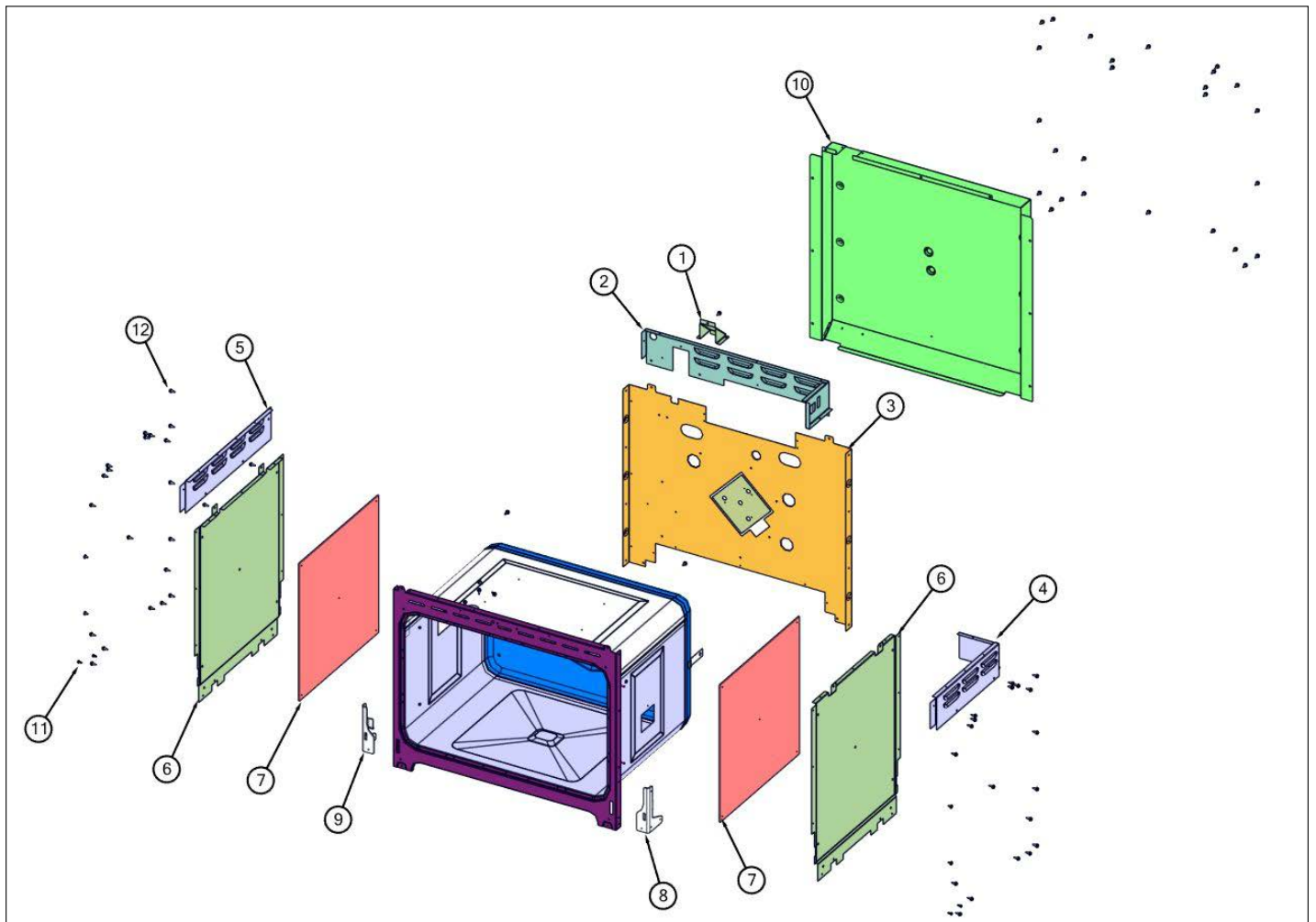
Bottom and Interior Cavity View





Item	Part No.	Name	Qty	Uom	NOTES
1	042731-000	BAKE TRAY ASM	1	EA	
2	013580-402	CONV COVER W/BK PORC	1	EA	
3	008872-000	OVEN, SNSR, COVER	1	EA	
4	008867-000	BROIL, REFLECTOR, PLATE	1	EA	
5	013753-402	DEFLECTOR, BRL, ASM W/BK PORC	1	EA	
6	PD040004	GROMMET BUMPER	2	EA	
7	009007-000	DOOR GASKET	1	EA	
8	PD020032	SRW-8(A)X3/8"PH.WFR HD 7/16DIA*NICL	10	EA	
9	009005-000	GASKET CLIP RAW	1	EA	
10	008889-000	BOTTOM, INSULATION, RTNR	1	EA	
11	008898-000	INSULATION, RTNR, BOT, BACK	1	EA	
12	020952-000	BRACKET, BOTT, SIDE, LH	1	EA	
13	020955-000	BRACE, CENTER	1	EA	
14	020947-000	BRACKET, BOTT, SIDE, RH	1	EA	
15	020941-000	BASE, MAIN	1	EA	
16	020962-000	BRACE, BOTTOM	1	EA	
NI	048455-000	INSULATION KIT #9	1	EA	

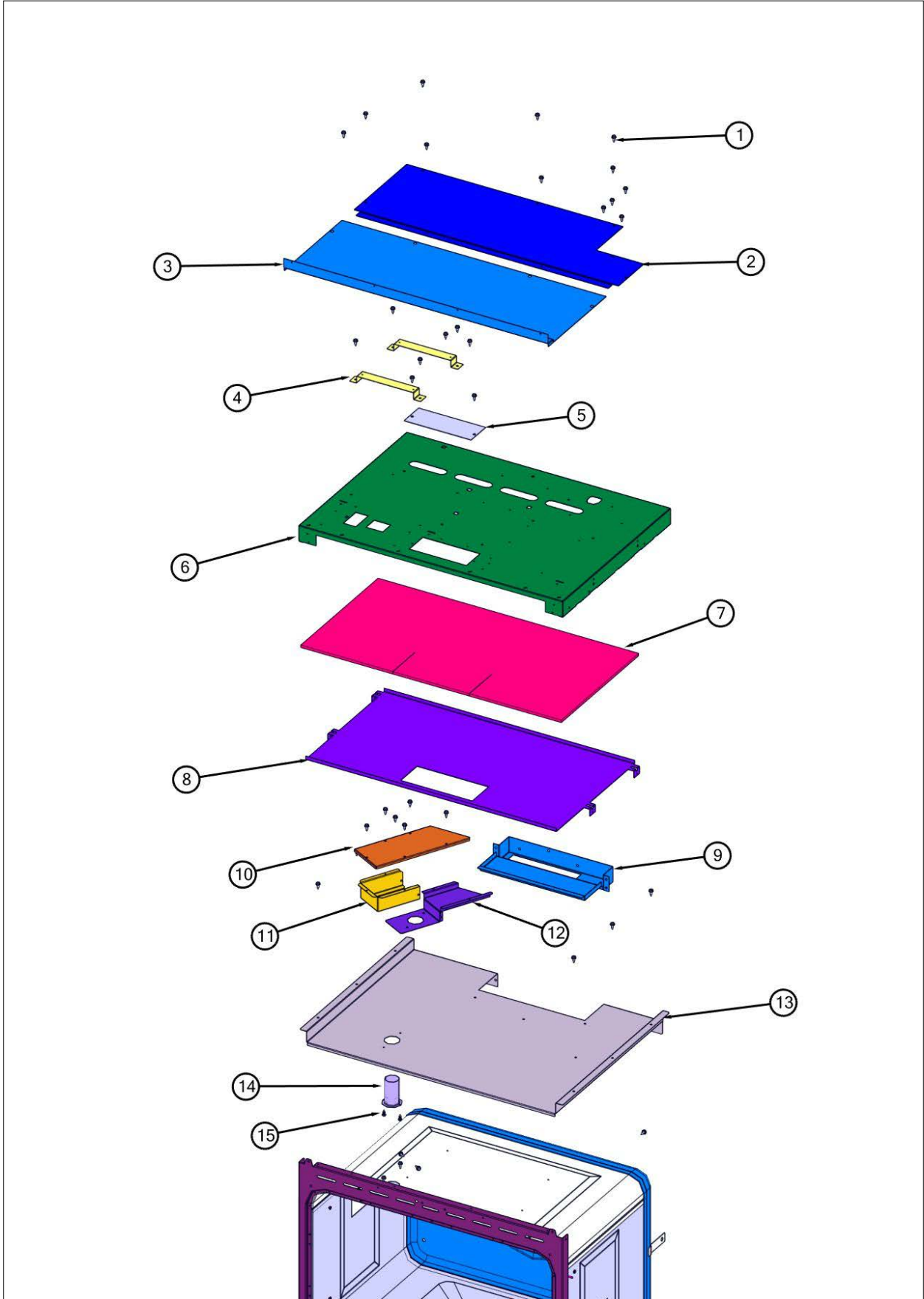
Side and Rear Cavity View





Item	Part No.	Name	Qty	Uom	NOTES
1	060415-000	CHANNEL, HARN	1	EA	Not available online / Call for pricing and availability
2	060416-000	COVER, BACK	1	EA	
3	059992-000	RETAINER, BACK, INSULATION	1	EA	
4	021054-000	COVER, LEFT	1	EA	
5	021050-000	PANEL, RH, SIDE	1	EA	
6	062300-000	RETAINER, INSL, SIDE	2	EA	
7	062299-000	SHIELD, HEAT, SIDE	2	EA	
8	008895-000	RECEIVER, HINGE, RIGHT	1	EA	
9	008894-000	RECEIVER, HINGE, LEFT	1	EA	
10	060329-000	COVER, BACK	1	EA	
11	pd020062	#8-32 X 3/8 PHMS TYPE 1	10	EA	
12	003860-000	10-18 x .500 FASTNR,SCR,HXWH,STL,ZPLT	40	EA	

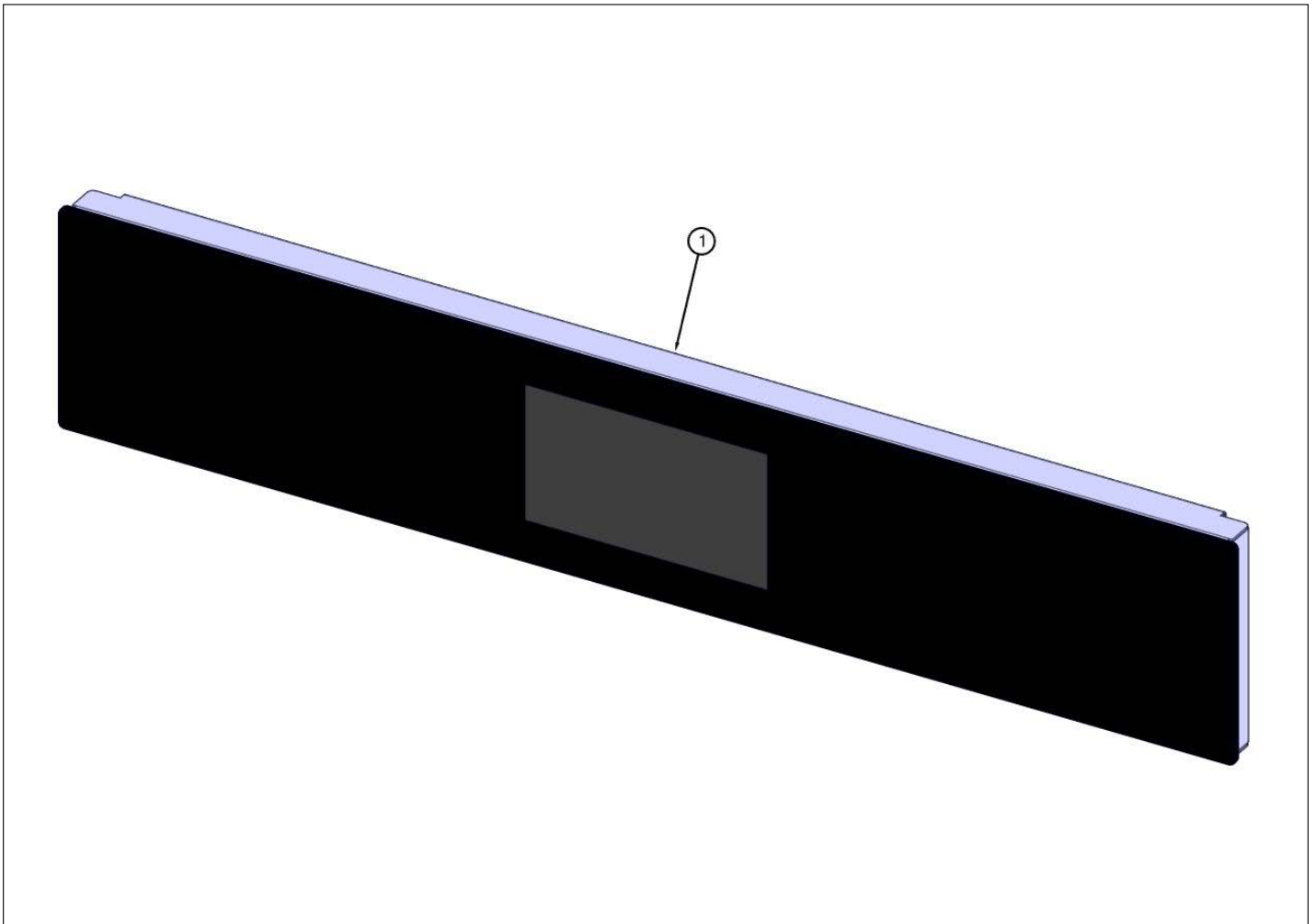
Top Cavity View





Item	Part No.	Name	Qty	Uom	NOTES
1	003860-000	10-18 x .500 FASTNR,SCR,HXWH,STL,ZPLT	61	EA	
2	061580-000	PANEL, ACS, TOP, REAR	1	EA	
3	061581-000	PANEL, ACS, FR	1	EA	
4	062993-000	BRACKET, MTG, ELEVATED, EOC	2	EA	
5	020545-000	COVER, ACS	1	EA	
6	060332-000	PANEL, MTG, TOP, CAP, ELECTRONICS	1	EA	
7	062272-000	INSULATION, TRAY, ELECTRONICS	1	EA	
8	062270-000	RETAINER, INSL, ELEC, TRAY	1	EA	
9	060331-000	MOUNT, BLO	1	EA	
10	008913-000	VENT, OVEN, TOP	1	EA	
11	008912-000	VENT, BOX, SIDE	1	EA	
12	008902-000	VENT, BOX, BOT	1	EA	
13	060333-000	RETAINER, INSL, TOP	1	EA	
14	008868-000	SMOKE ELIMINATOR	1	EA	
15	PD020055	' #10 X 1/2" PAN PHIL. TEK.*SS*	14	EA	

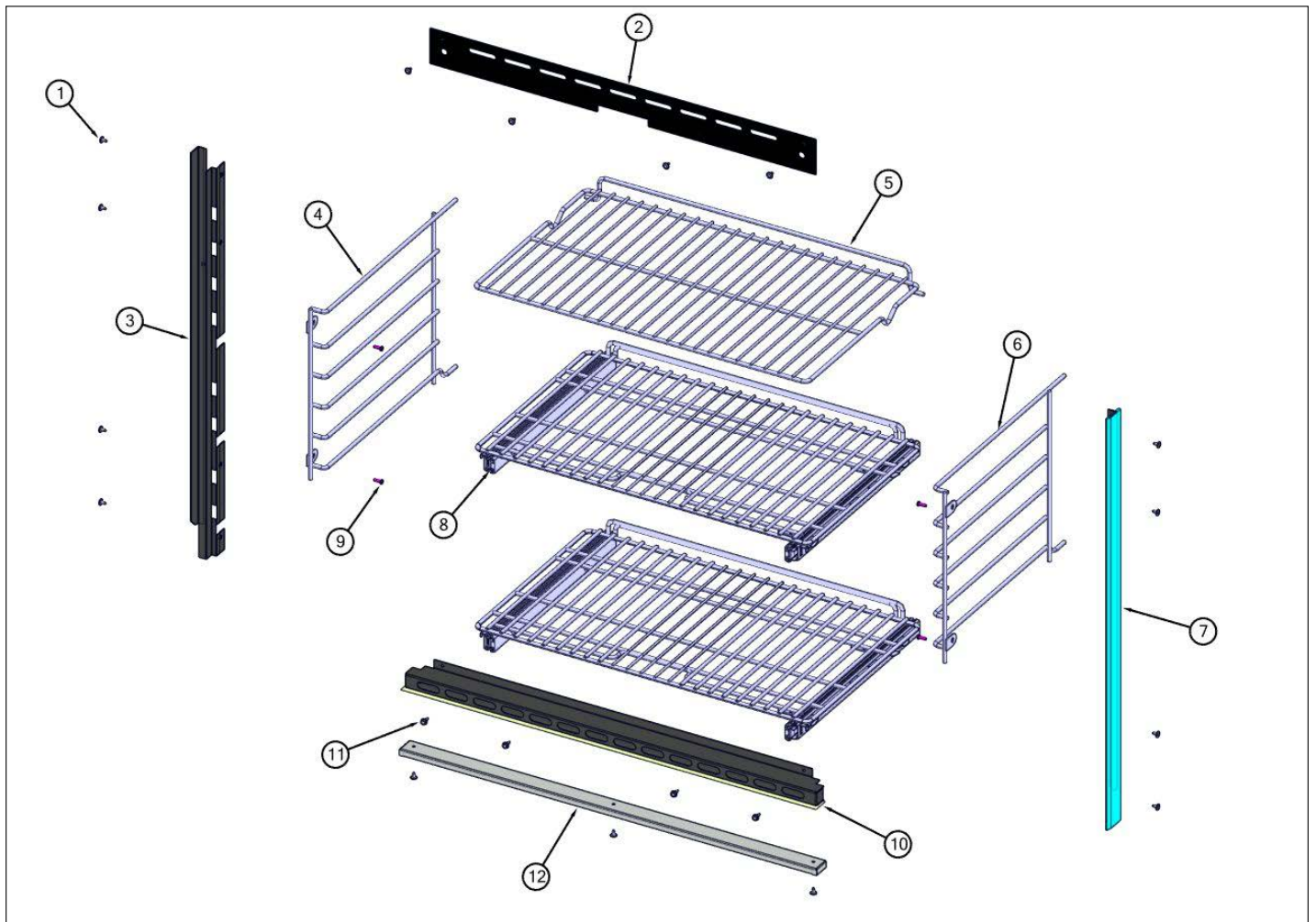
Control View





Item	Part No.	Name	Qty	Uom	NOTES
1	059640-502	CONTROL, DISPLAY, VIRTUOSO, ASM	1	EA	SEE BULLETIN TC-0120-SP

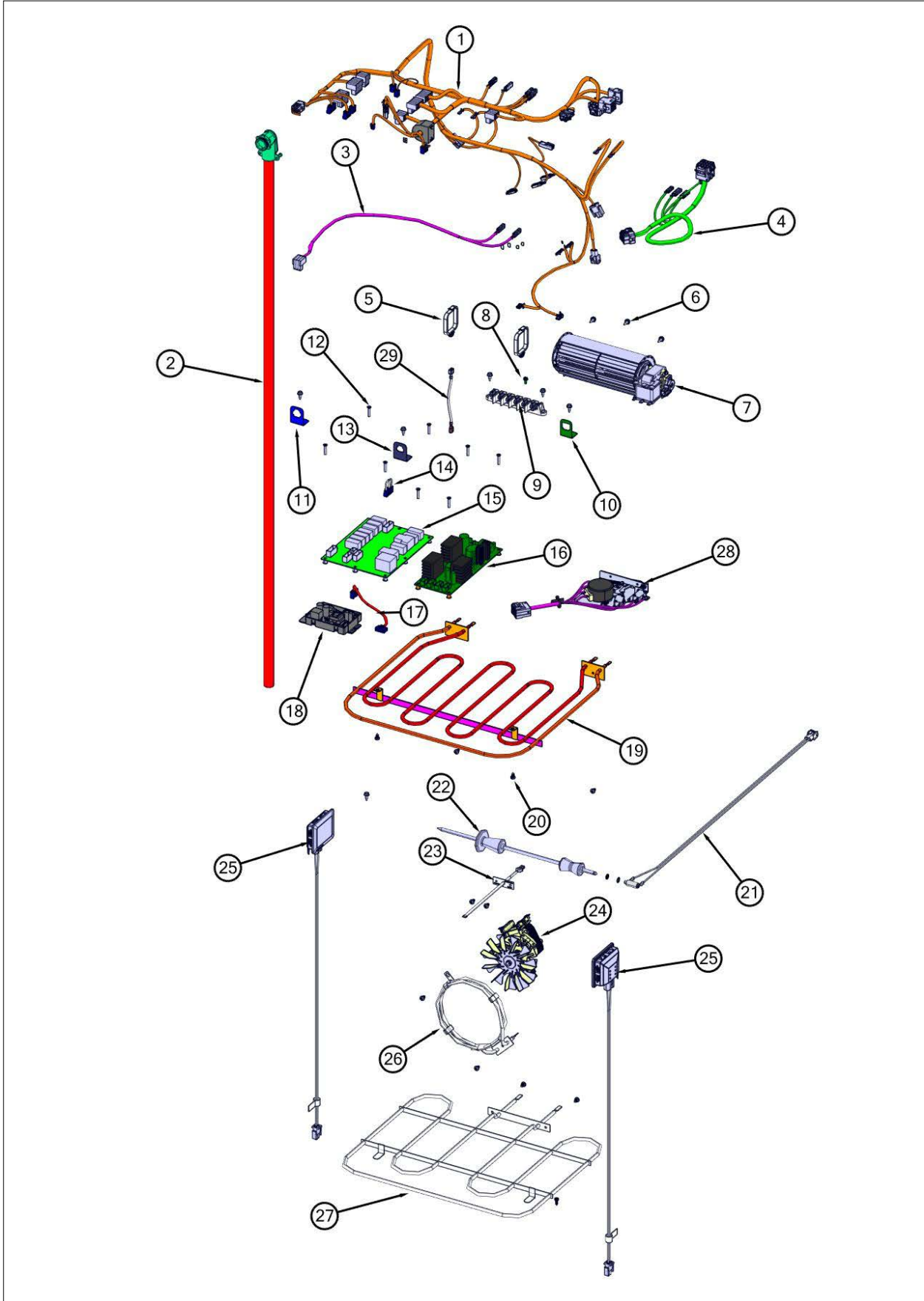
Trim and Oven Rack View





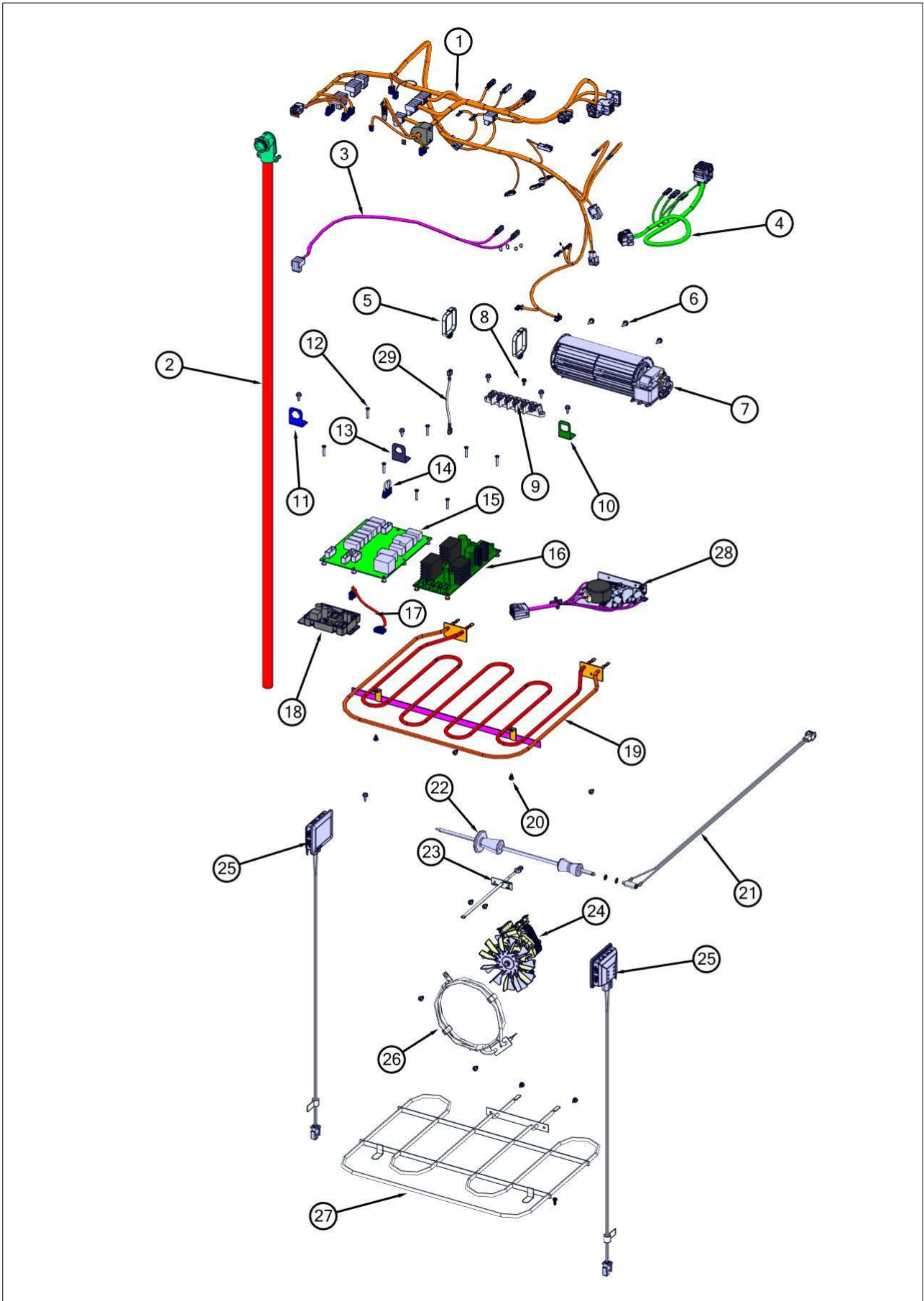
Item	Part No.	Name	Qty	Uom	NOTES
1	PD020063	SCREW-#8(A) X 3/8"PH WFR HD/BK OXID	15	EA	
2	059932-402	VENT, BK	1	EA	
3	065664-402	TRIM, LHS, BK	1	EA	
4	066228-402	SUPPORT, RACK, OVEN, LH- BK	1	EA	
5	051823-000	RACK, OVEN, DESIGNER 30"	1	EA	Not available online / Call for pricing and availability
6	066229-402	SUPPORT, RACK, OVEN, RH- BK	1	EA	
7	065663-402	TRIM, RHS, BK	1	EA	
8	051822-000	GLIDE RACK, W/O 30"	2	EA	
9	PD020261	#8-32X1/2" PH PANHEAD MACH. SCREW	4	EA	
10	061302-000	VENT. LWR	1	EA	
11	003860-000	10-18 x .500 FASTNR,SCR,HXWH,STL,ZPLT	4	EA	
12	062496-000	TRIM, VENT	1	EA	

Electrical View





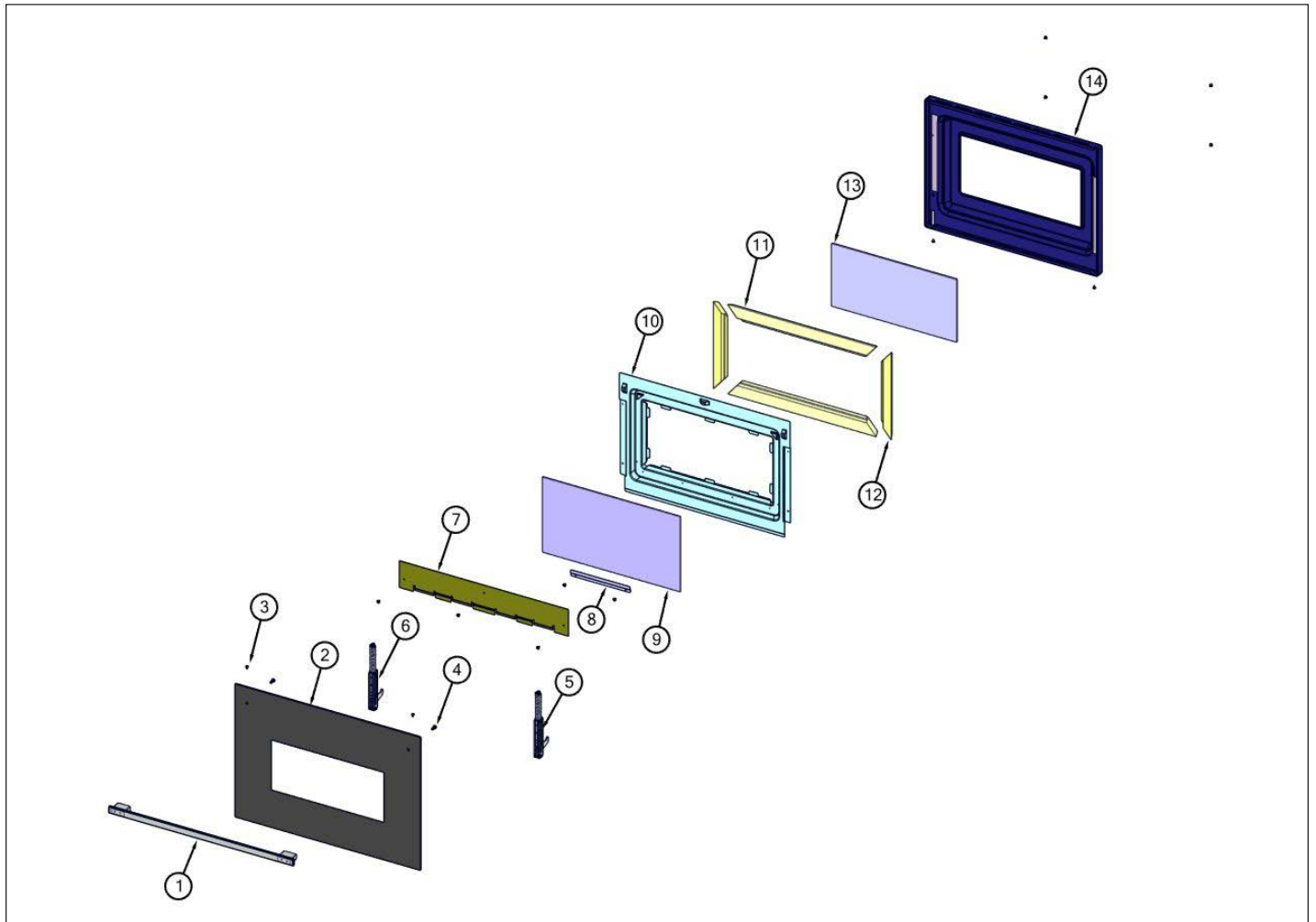
Item	Part No.	Name	Qty	Uom	NOTES
1	059693-000	HARN, MVSOE/DOE, UPPER, MAIN	1	EA	
2	040196-000	CONDUIT, ELECTRICAL CORD, 48"	1	EA	
3	059925-000	HARN, MVSOE/DOE, UI, PWR	1	EA	Not available online / Call for pricing and availability
4	059703-000	HARN, MVSOE/DOE, UPPER, LATCH	1	EA	
5	061164-000	SADDLE, LARGE	2	EA	
6	003860-000	10-18 x .500 FASTNR,SCR,HXWH,STL,ZPLT	10	EA	
7	018607-000	FAN, BLO, 220-240V 50/60Hz ASM (MT1664)	1	EA	
8	PD020010	10 X 3/8 GREEN GROUNDING SCREW	1	EA	
9	054135-000	BLOCK, TERMINAL, 6-POLE (Heyco # 9454)	1	EA	
10	060482-000	BRACKET, CONNECTOR 1971772	1	EA	
11	060529-000	BRACKET, CONNECTOR 177911	1	EA	
12	PD020043	#6-32 X .750 PH. CTRSK T(F)- VGSO166	8	EA	
13	060887-000	BRACKET, CONNECTOR 177908	1	EA	
14	060522-000	HARN, HEADER, MODEL 18 (SEE MODEL_HEADER)	1	EA	Not available online / Call for pricing and availability
15	062255-560	CONTROL, EOC4, LED, V60 (SEE 046141-000)	1	EA	
16	038417-000	EOC4 POWER SUPPLY BOARD, CB	1	EA	
17	059923-000	HARN, NVSOE/DOE, UI, COM	1	EA	Not available online / Call for pricing and availability
18	060490-601	SUPPLY, SWITCH MODE, 5VDC, 105C	1	EA	
19	059739-601	ELEMENT, BROIL, ASM, 3600W, 240V, (SEE 059739-000)	1	EA	Not available online / Call for pricing and availability





Item	Part No.	Name	Qty	Uom	NOTES
20	037304-000	FASTENER, PNH, TORX, AB, PSVD, WAX	8	EA	
21	008880-000	MEAT PROBE RECEPTACLE ASM	1	EA	
22	013803-000	PROBE, MEAT, DESIGNER	1	EA	
23	008870-000	RTD	1	EA	
24	062104-000	MOTOR, CONV, 120VAC, 2SPD	1	EA	
25	020403-000	BJB SLIMLINE 40W BULB	2	EA	
26	008862-000	CONVECTION ELEMENT	1	EA	
27	008854-000	BAKE ELEMENT	1	EA	
28	059755-000	LATCH, ELEC, DOOR, CONN ASSY	1	EA	
29	066627-000	HARN, EBM, JUMPER	1	EA	

Door View



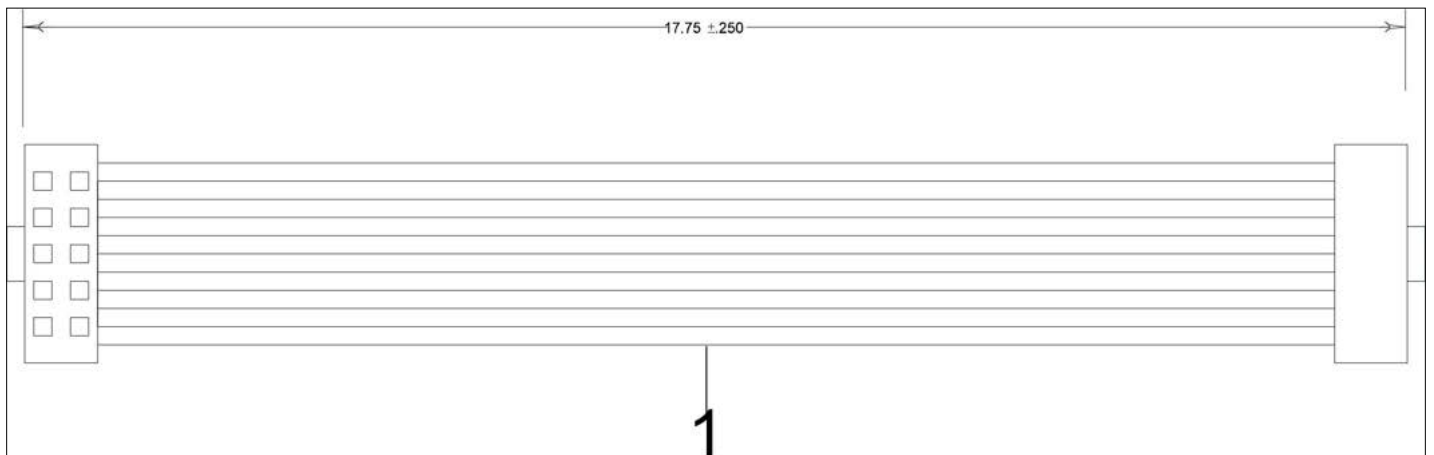


Item	Part No.	Name	Qty	Uom	NOTES
1	064570-000	HANDLE, BG, ASSY	1	EA	
2	066297-000	GLASS, BKT ASSY W/LOGO (VIKING)	1	EA	
3	PD020063	SCREW-#8(A) X 3/8"PH WFR HD/BK OXID	5	EA	
4	014221-000	1/4-20 X .625 HEX 316 SS	2	EA	
5	008955-000	HINGE RH	1	EA	
6	008958-000	HINGE LH	1	EA	
7	008959-000	RETAINER, GL, TOP	1	EA	
8	042622-000	RETAINER, GL, BOT	2	EA	
9	008952-000	INNER DOOR GLASS	2	EA	
10	008950-000	DOOR INS RETAINER	1	EA	
11	008962-000	DOOR INSULATION HORIZONTAL	2	EA	
12	008960-000	DOOR INSULATION VERTICAL	2	EA	
13	008949-000	INNER DOOR GLASS	1	EA	
14	030620-402	DOOR PLUG W/BK PORC	1	EA	



Wiring View

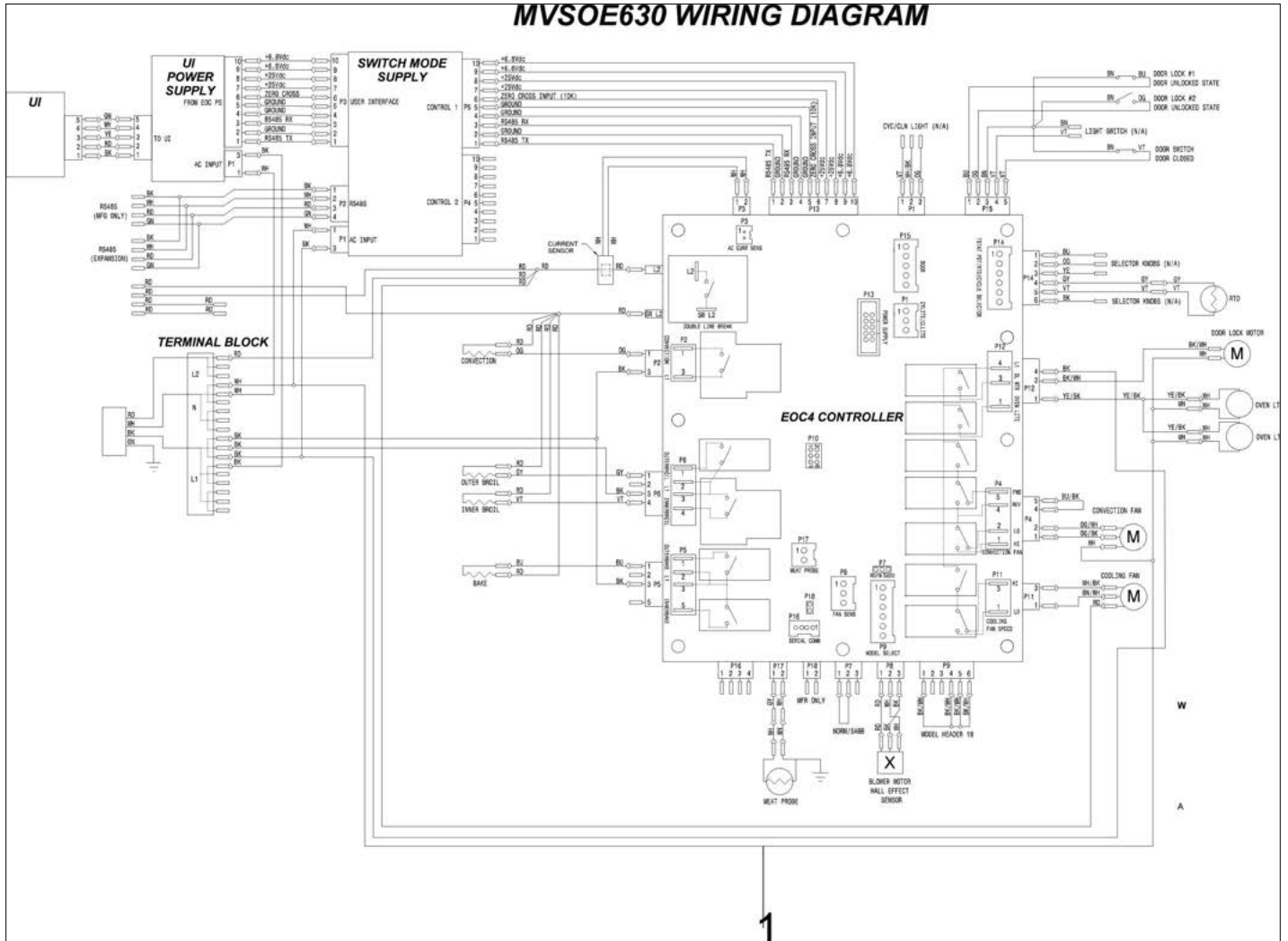
MVSOE630BG





Item	Part No.	Name	Qty	Uom	NOTES
1	024440-000	RIBBON CABLE, EOC4, TO LPS	1	EA	

Wiring Diagram View





Item	Part No.	Name	Qty	Uom	NOTES
1	060758-000	DIAG, W, MVSOE630	1	EA	



Appendix A:Pages Index

Bottom and Interior Cavity View 1
Control View 4
Door View 7
Electrical View 6
Side and Rear Cavity View 2
Top Cavity View 3
Trim and Oven Rack View 5
Wiring Diagram View 9
Wiring View 8



Appendix B:Parts Index

003860-000	2, 3, 5, 6	030620-402	7
008854-000	6	037304-000	6
008862-000	6	038417-000	6
008867-000	1	040196-000	6
008868-000	3	042622-000	7
008870-000	6	042731-000	1
008872-000	1	048455-000	1
008880-000	6	051822-000	5
008889-000	1	051823-000	5
008894-000	2	054135-000	6
008895-000	2	059640-502	4
008898-000	1	059693-000	6
008902-000	3	059703-000	6
008912-000	3	059739-601	6
008913-000	3	059755-000	6
008949-000	7	059923-000	6
008950-000	7	059925-000	6
008952-000	7	059932-402	5
008955-000	7	059992-000	2
008958-000	7	060329-000	2
008959-000	7	060331-000	3
008960-000	7	060332-000	3
008962-000	7	060333-000	3
009005-000	1	060415-000	2
009007-000	1	060416-000	2
013580-402	1	060482-000	6
013753-402	1	060490-601	6
013803-000	6	060522-000	6
014221-000	7	060529-000	6
018607-000	6	060758-000	9
020403-000	6	060887-000	6
020545-000	3	061164-000	6
020941-000	1	061302-000	5
020947-000	1	061580-000	3
020952-000	1	061581-000	3
020955-000	1	062104-000	6
020962-000	1	062255-560	6
021050-000	2	062270-000	3
021054-000	2	062272-000	3
024440-000	8	062299-000	2
		062300-000	2



062496-000	5
062993-000	3
064570-000	7
065663-402	5
065664-402	5
066228-402	5
066229-402	5
066297-000	7
066627-000	6
PD020010	6
PD020032	1
PD020043	6
PD020055	3
PD020063	5, 7
PD020261	5
PD040004	1
pd020062	2