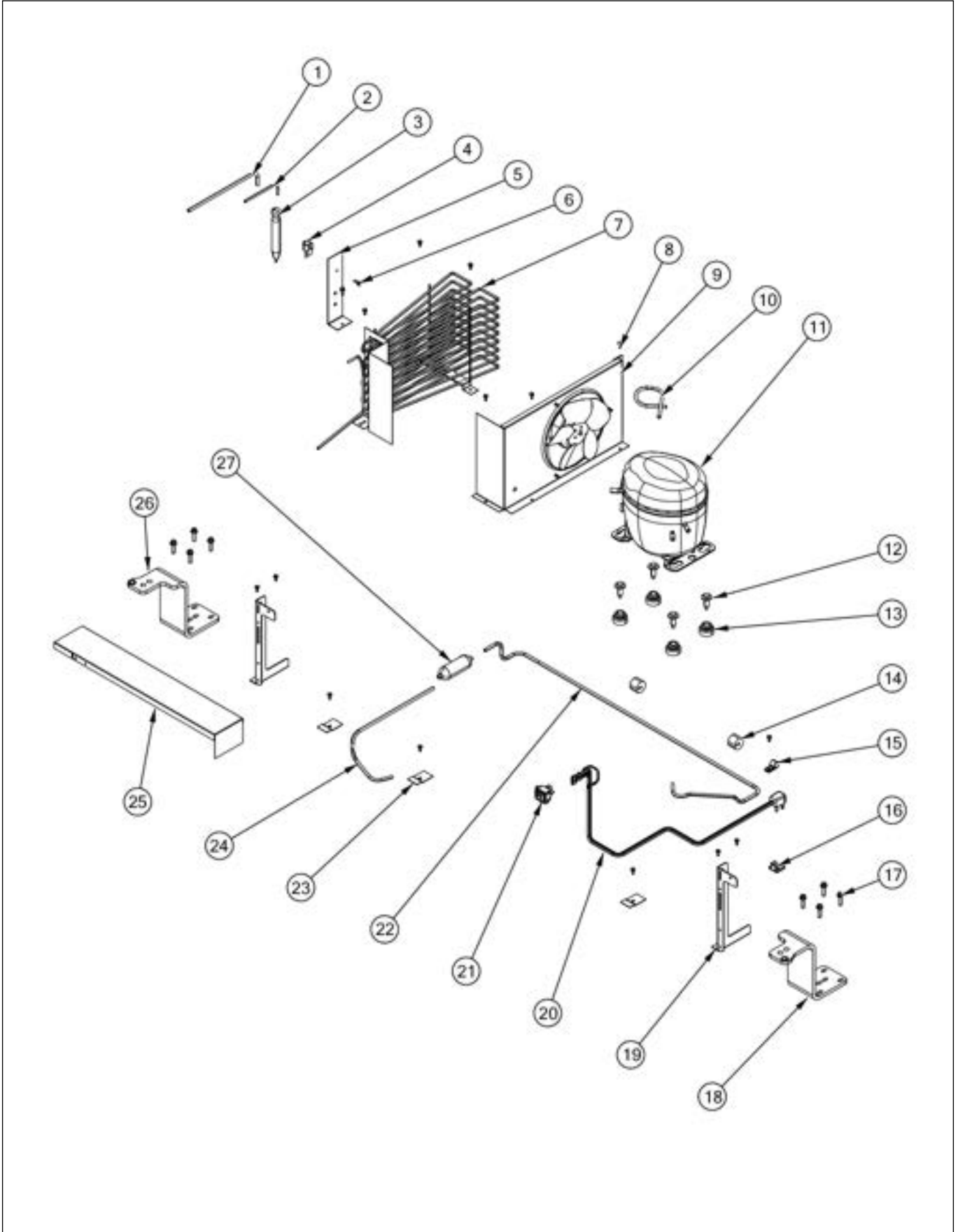


RDDSB5481SS

HI SIDE ASSY	1
UPPER GRILLE ASSY	2
CAB BOTTOM ASSY	3
HI SIDE ASSY	4
LOW SIDE ASSY	5
CONTROL PANEL ASSY	6
FF INTERIOR ASSY	7
FZ INTERIOR ASSY	8
EXTERIOR ASSY	9
MC COVER	10
DOOR SHELVES	11
FF Door View	12
FZ Door View	13
Appendix A:Pages Index	A
Appendix B:Parts Index	B

HI SIDE ASSY





Item	Part No.	Name	Qty	Uom	NOTES
1	F2097740	TUBE PROCESS	1	EA	
2	F2096504	TUBE-DRIER EXT	1	EA	
3	PM010616	DRIER - HIGH SIDE	1	EA	
4	10547001	CLIP-DRIER V10547001	1	EA	
5	K2099454	BRACKET DRIER	1	EA	
6	PD020195	SCR 8-18 X 5/8	2	EA	
7	068353-000	CONDENSER ASM W/COPPER ENDS	1	EA	
8	PD020194	SCR, HEX SRTD WSHR HD, #8-18 X 1/2	14	EA	
9	G5096494	COND. FAN ASSY	1	EA	
10	F2096507	TUBE-PROCESS GRN	1	EA	
11	PM010619	COMPRESSOR VCC	1	EA	
<p>Comments for Part Num. PM010619</p> <p>profixappliances@gmail.com on Apr 21, 2020</p> <p>SUB TO 062775-000 COMPRESSOR KIT</p>					
12	M0221523	SCREW - SHLDR	4	EA	
13	10835901	GROMMET RUBBER V10835901	4	EA	
14	10699601	DAMPER-TUBING .8	2	EA	
15	PD030118	INSULATED CLAMP	1	EA	
16	M0104106	CLIP-CORD VM0104106	1	EA	
17	000570-000	FASTENER, BOLT, 1/4-20 IHXWS 1" S ZN SER	8	EA	
18	PC920203	HINGE ASM UR	1	EA	
19	014190-000	BRACKET, GRILLE SUPPORT	2	EA	
20	059105-000	CORD, PWR, BM, LEAD TERMINALS	1	EA	
21	PE950149	SWITCH POWER	1	EA	
22	F2099443	TUBE DISCHARGE FORMED PRE ACCUM	1	EA	
23	K2096943	PANEL BRACKET	3	EA	
24	F2099444	TUBE DISCHARGE FORMED POST ACCUM	1	EA	
25	014519-000	DIVERTER AIR HI SIDE SXS	1	EA	

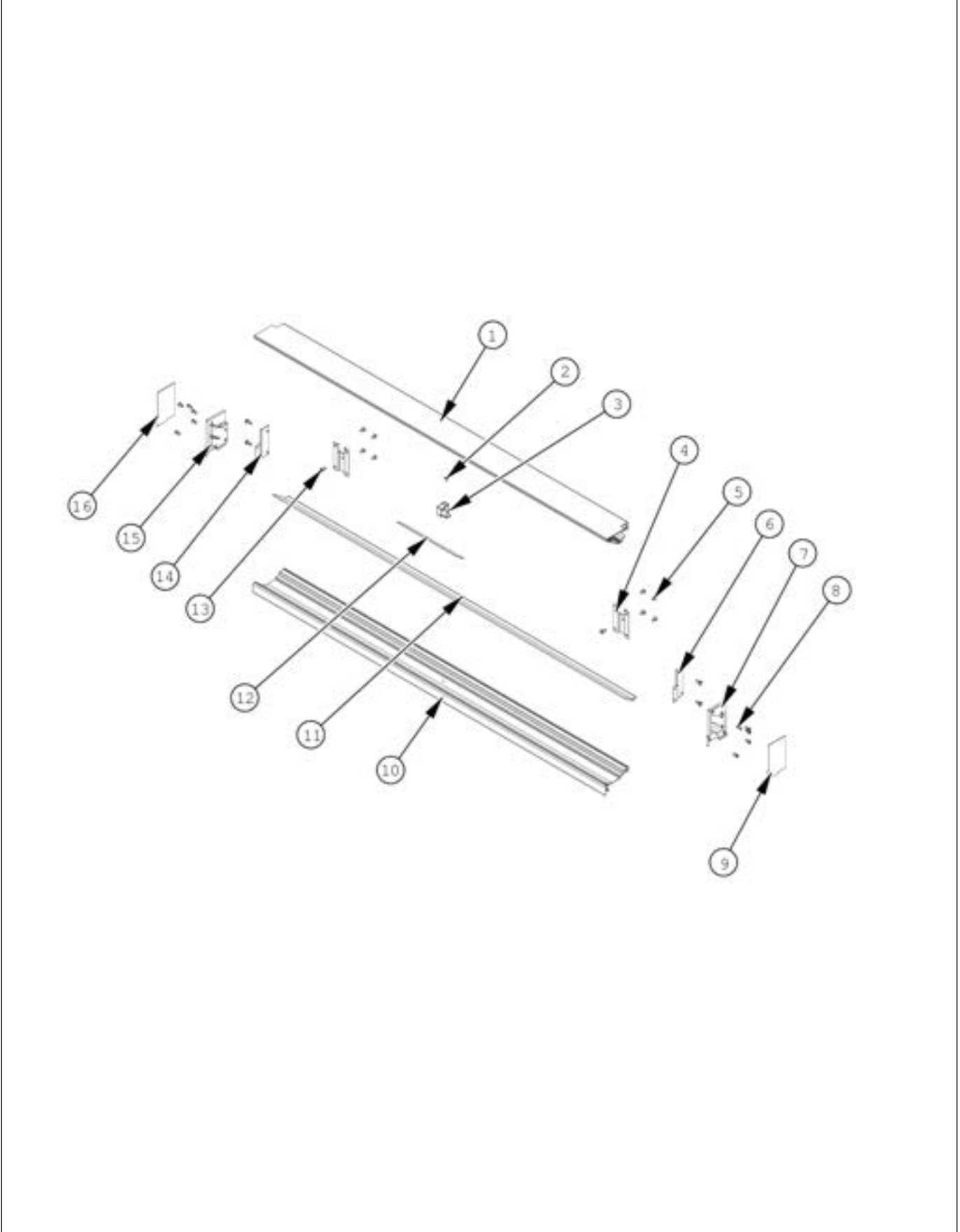


Item	Part No.	Name	Qty	Uom	NOTES
26	PC920204	HINGE ASM UL	1	EA	
27	PB920201	ACCUMULATOR	1	EA	
NI	011666-000	INVERTER,CMPR,ASM	1	EA	

Comments for Part Num. 011666-000

gboltz@VikingRange.com on Aug 9, 2018
See 2018-01P Parts Bulletin

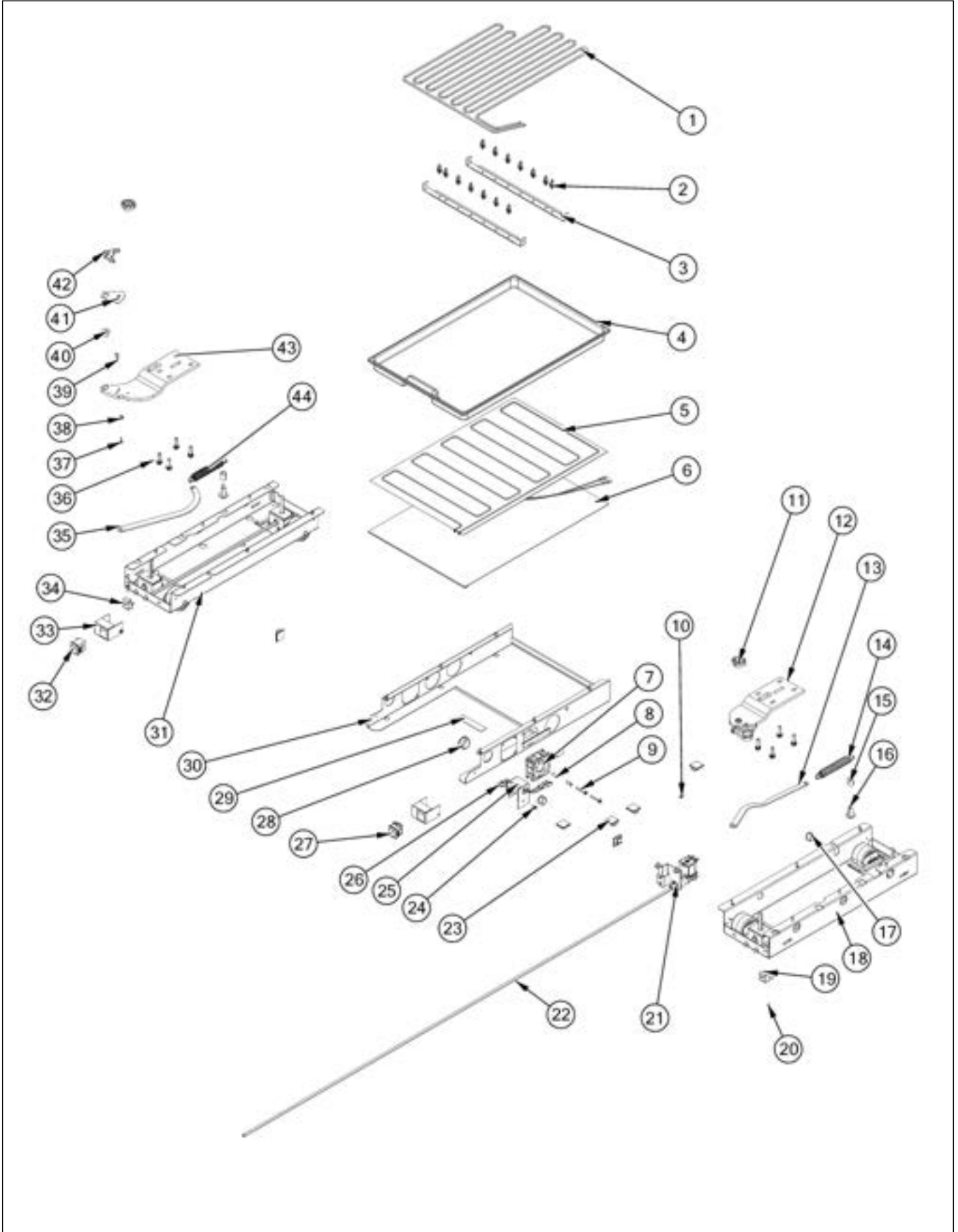
UPPER GRILLE ASSY





Item	Part No.	Name	Qty	Uom	NOTES
1	016197-000	GRILLE UPPER SXS 48 DES	1	EA	
2	M0230028	SCREW-TC	1	EA	
3	PM910084	SUPPORT GRILLE 12201201	1	EA	
4	PK050004	BRACKET GRILLE 5 SERIES	2	EA	
5	M0224128	SCR 8-18 B TRP 5/16 S	2	EA	
6	K2099470	BRACKET GRILLE SUPPORT R	1	EA	
7	PM910348	ENP CAP GRILLE R	1	EA	
8	003004-000	8 - 18 X 1/2 ZN/CLR PHIL FLAT TRIM HD #5 TYPE AB TAPPING SCREW	10	EA	
9	033729-000	ENDCAP, GRILLE, R, HINGE	1	EA	
10	016194-000	GRILLE LOWER SXS 48 DES	1	EA	
11	PM910365	GRILLE CENTER SXS 48 DES	1	EA	
12	PF930523	GRILL BLADE LABEL (REFRIGERATOR)	1	EA	
13	PD020194	SCR, HEX SRTD WSHR HD, #8-18 X 1/2	6	EA	
14	K2099471	BRACKET GRILLE SUPPORT L	1	EA	
15	PM910349	END CAP GRILLE L	1	EA	
16	033709-000	ENDCAP, GRILLE, L, HINGE	1	EA	
NI	034237-000	GRILLE, ASM, 48 SXS, PRO	1	EA	

CAB BOTTOM ASSY



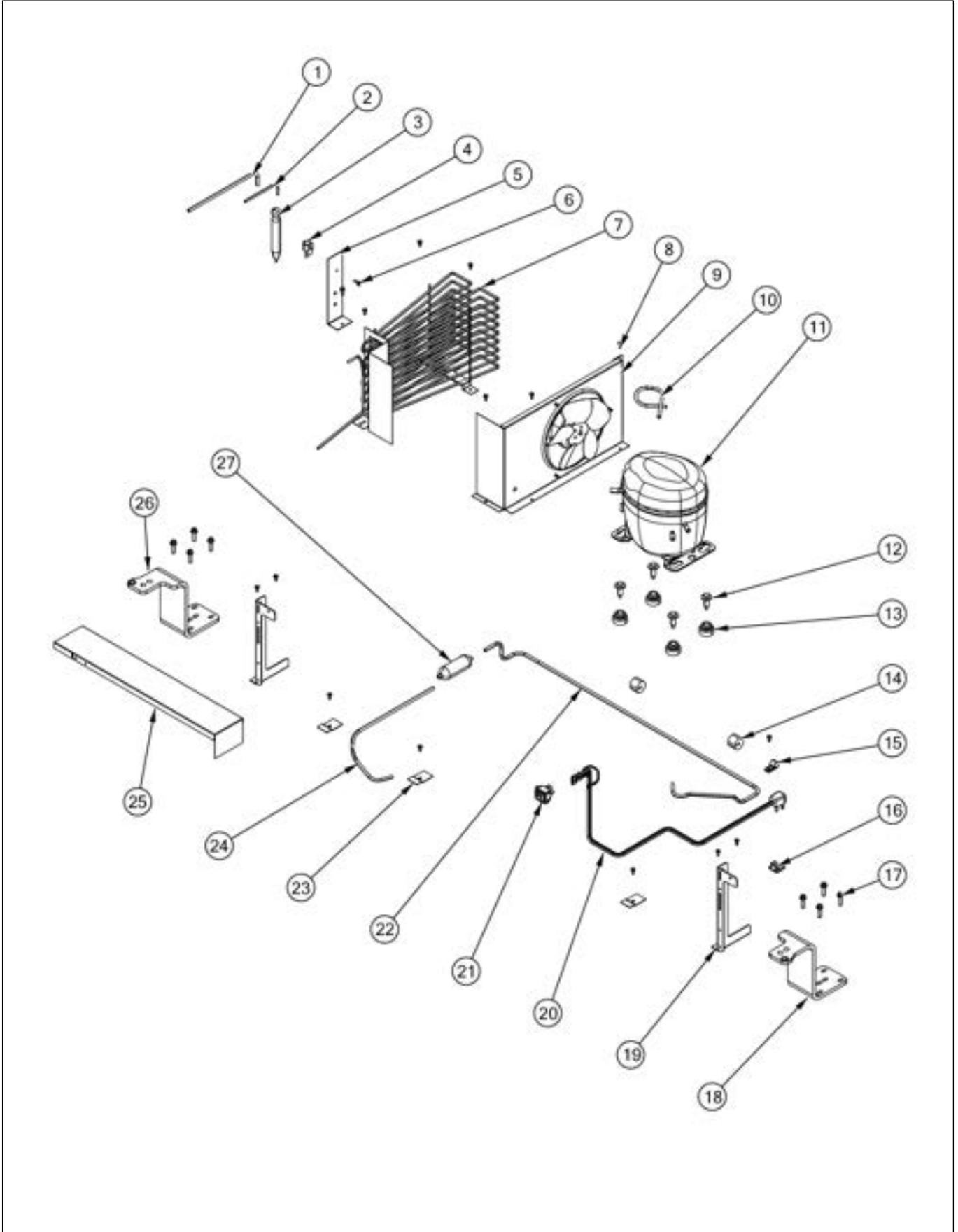


Item	Part No.	Name	Qty	Uom	NOTES
1	F20915693	SERPENTINE CONDENSER DRAIN ALL SXS'S	1	EA	
2	PD030146	STAND OFF LOCK CLIP	14	EA	
3	K20911831	BRACKET CONDENSATE SUPPORT	2	EA	
4	PK930348	PAN DRAIN	1	EA	
5	G50911853	TRAY PAN HEATER	1	EA	
6	L20914124WH	TRAY PAN HEATER	1	EA	
7	013112-000	AXIAL FAN	1	EA	
8	011332-000	SPACER,NYL	2	EA	
9	PD020274	SCR SLTD HEX WSHR HD 8X1.250 BT	2	EA	
10	PD020010	10 X 3/8 GREEN GROUNDING SCREW	1	EA	
11	044370-000	CAM DOOR ADJUSTMENT	2	EA	
12	PC020288	HINGE PLATE LR	1	EA	
13	PC920166	BAR-WC BOT HINGE RH	1	EA	
14	003867-000	SPRING EXTENSION	1	EA	
15	PD940107	ROUND SPRING SPACER	2	EA	
16	M0221523	SCREW - SHLDR	2	EA	
17	A4554806	BUSHING-SNAP VA4554806	2	EA	
18	060890-000	LEVELER, MODULE, R	1	EA	
19	K2098044	BRKT GRILLE SUPPORT	1	EA	
20	PD020194	SCR, HEX SRTD WSHR HD, #8- 18 X 1/2	20	EA	
21	G32913789	BRKT & VALVE H20 SNGL ASM	1	EA	
22	PB020304	PLASTIC TUBING-IM WATERLINE	1	EA	
23	M0104106	CLIP-CORD VM0104106	2	EA	
24	M0253916	SCR 8-32 SHXW 3/8 TRI-LOBE	1	EA	
25	B20915627	BRACKET HORIZ FLOAT SWITCH	1	EA	
26	PE050248	FLOAT SWITCH HORIZONTAL	1	EA	
27	PE950147	SWITCH SPST NC BLACK	1	EA	



Item	Part No.	Name	Qty	Uom	NOTES
Comments for Part Num. PE950147					
bradleysapplianceservice@shaw.ca on May 1, 2017					
CAUTION WHEN ORDERING DOOR SWITCH. PARTS LISTINGS COULD BE INCORRECT.					
THERE IS TWO VERSIONS OF THIS DOOR SWITCH THAT NEEDS TO BE VISUALLY CHECKED ON UNIT TO DETERMINE CORRECT PART.					
PE950146 DOOR SWITCH 3 WIRE SPDT BLACK					
PE950147 DOOR SWITCH 2 WIRE SPST BLACK					
28	A4554817	BUSHING-SNAP VA4554817	1	EA	
29	PF031267	LABEL HEATER PAN	1	EA	
30	K20915952	SHIELD BOTTOM DRAIN	1	EA	
31	060891-000	LEVELER, MODULE, L	1	EA	
32	PE950146	SWITCH SPDT BLACK	1	EA	
33	014334-000	BRACKET,LT,SWITCH	2	EA	
34	K2098096	BRKT GRILLE SUPPORT	1	EA	
35	PC920149	BAR-WC BOT HINGE LH	1	EA	
36	000570-000	FASTENER, BOLT, 1/4-20 IHXWS 1" S ZN SER	8	EA	
37	M0220417	SCREW-TC	8	EA	
38	PD940094	BUSHING	2	EA	
39	PC920145	PIN - DOOR STOP	2	EA	
40	PD940090	BUSHING - WC DOOR LEVEL	2	EA	
41	PC920144	PLATE - WC DOOR SHIM	2	EA	
42	PD940091	BUSHING - DOOR STOP	2	EA	
43	PC020289	HINGE PLATE LL	1	EA	
44	PC910015	SPRING EXTENSION	1	EA	
45	045013-000	GRILLE, TOE, ASM, 48 SXS	1	EA	

HI SIDE ASSY





Item	Part No.	Name	Qty	Uom	NOTES
1	F2097740	TUBE PROCESS	1	EA	
2	F2096504	TUBE-DRIER EXT	1	EA	
3	PM010616	DRIER - HIGH SIDE	1	EA	
4	10547001	CLIP-DRIER V10547001	1	EA	
5	K2099454	BRACKET DRIER	1	EA	
6	PD020195	SCR 8-18 X 5/8	2	EA	
7	068353-000	CONDENSER ASM W/COPPER ENDS	1	EA	
8	PD020194	SCR, HEX SRTD WSHR HD, #8-18 X 1/2	14	EA	
9	G5096494	COND. FAN ASSY	1	EA	
10	F2096507	TUBE-PROCESS GRN	1	EA	
11	PM010619	COMPRESSOR VCC	1	EA	
<p>Comments for Part Num. PM010619</p> <p>profixappliances@gmail.com on Apr 21, 2020</p> <p>SUB TO 062775-000 COMPRESSOR KIT</p>					
12	M0221523	SCREW - SHLDR	4	EA	
13	10835901	GROMMET RUBBER V10835901	4	EA	
14	10699601	DAMPER-TUBING .8	2	EA	
15	PD030118	INSULATED CLAMP	1	EA	
16	M0104106	CLIP-CORD VM0104106	1	EA	
17	000570-000	FASTENER, BOLT, 1/4-20 IHXWS 1" S ZN SER	8	EA	
18	PC920203	HINGE ASM UR	1	EA	
19	014190-000	BRACKET, GRILLE SUPPORT	2	EA	
20	059105-000	CORD, PWR, BM, LEAD TERMINALS	1	EA	
21	PE950149	SWITCH POWER	1	EA	
22	F2099443	TUBE DISCHARGE FORMED PRE ACCUM	1	EA	
23	K2096943	PANEL BRACKET	3	EA	
24	F2099444	TUBE DISCHARGE FORMED POST ACCUM	1	EA	
25	014519-000	DIVERTER AIR HI SIDE SXS	1	EA	

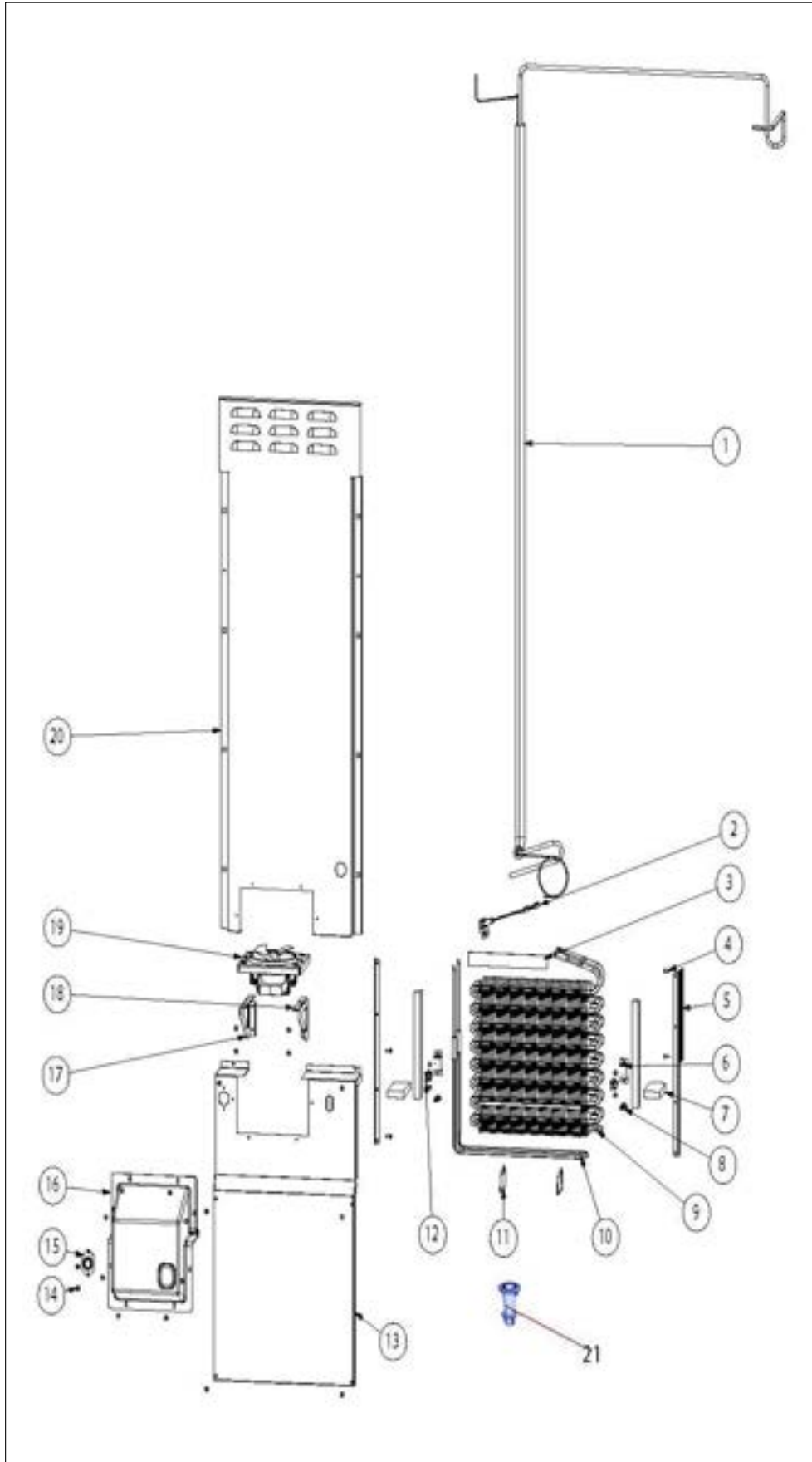


Item	Part No.	Name	Qty	Uom	NOTES
26	PC920204	HINGE ASM UL	1	EA	
27	PB920201	ACCUMULATOR	1	EA	
NI	011666-000	INVERTER,CMPR,ASM	1	EA	

Comments for Part Num. 011666-000

gboltz@VikingRange.com on Aug 9, 2018
See 2018-01P Parts Bulletin

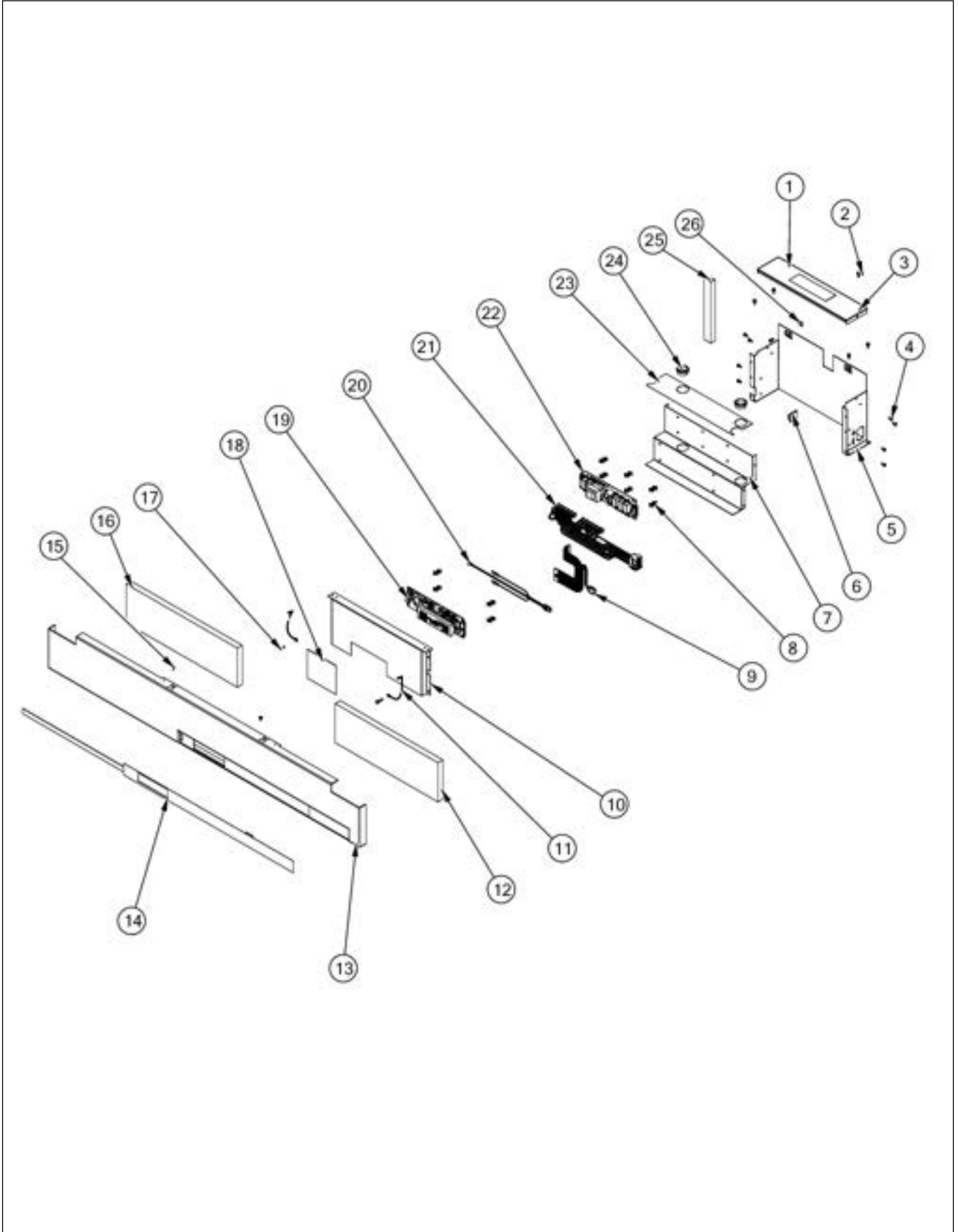
LOW SIDE ASSY





Item	Part No.	Name	Qty	Uom	NOTES
1	053301-000	HEAT EXCHANGER ASM SXS 48	1	EA	
2	058966-000	THERMOSTAT, SNAP ACTION, 55 OPEN 20 CLOSE	1	EA	
3	A3189370	GASKET-FOAM VA3189370	3	EA	
4	PD020194	SCR, HEX SRTD WSHR HD, #8-18 X 1/2	23	EA	
5	K2096461	BRKT-EVAP COVER 12234801	2	EA	
6	K2096456	BRKT-EVAP CLIP 12215101	2	EA	
7	10629001	BLOCK-R AIR COIL RED	2	EA	
8	10527401	CLIP-EVAP	2	EA	
9	PM910206	EVAPORATOR SXS 48	1	EA	
10	PJ910031	HEATER EVAP SXS	1	EA	
11	10428101	CLIP-EVAP HTR V10428101	2	EA	
12	10623003	CLIP-EVAP	1	EA	
13	L2097182	COVER EVAP LOWER SXS 48	1	EA	
14	M0211014	SCREW-SM	2	EA	Not available online / Call for pricing and availability
15	C8983701	THERMISTOR	1	EA	
16	PK930150	COVER CTR EVAP SXS	1	EA	
17	K2096458	BRKT-L-EVAP-FAN 12223102	1	EA	
18	K2096457	BRKT-R-EVAP FAN 12223101	1	EA	
19	G5098660	FAN EVAP ASM PANASONIC	1	EA	
20	L2097181	COVER EVAP UPPER SXS 48	1	EA	
21	PK030540	DRAIN TUBE SXS's & 36BM	1	EA	

CONTROL PANEL ASSY



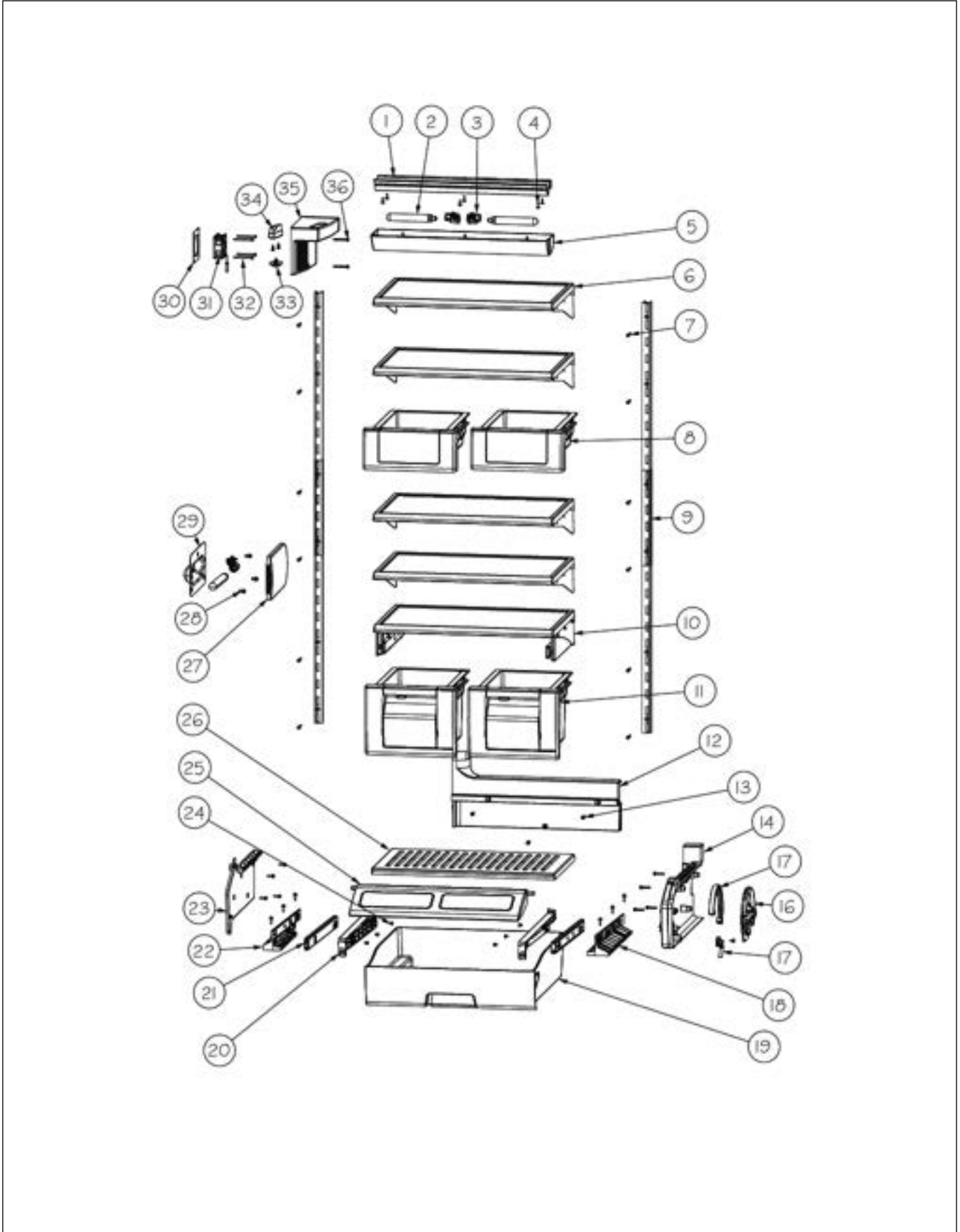


Item	Part No.	Name	Qty	Uom	NOTES
1	PF930487	TECH LITERATURE LABEL - 2	1	EA	
2	PD020194	SCR, HEX SRTD WSHR HD, #8-18 X 1/2	4	EA	
3	K20915000	CONTROL BOX TOP	1	EA	
4	PC040010	POP RIVET (.063/GR -.125) GAMD42-A	8	EA	
5	K2099402	CONTROL BOX	1	EA	
6	M0104106	CLIP-CORD VM0104106	1	EA	
7	K20910060	BRACKET - PC	1	EA	
8	M0585504	SUPPORT	10	EA	
9	PE970464	HARNESS LOW VOLT	1	EA	
10	K20910061	CONTROL BOX FRONT	1	EA	
11	12064001	SUPP-CONT PANEL	2	EA	
12	015037-000	INSULATION,FOAM,MC FRONT RIGHT 48"	1	EA	Not available online / Call for pricing and availability
13	016593-000	PANEL CONTROL SXS 48	1	EA	
14	016272-000	OVERLAY,SW,ASM,SXS 48 NON DISP	1	EA	
15	M0224128	SCR 8-18 B TRP 5/16 S	2	EA	
16	015038-000	INSULATION,FOAM,MC FRONT LEFT 48"	1	EA	Not available online / Call for pricing and availability
17	M0238846	SCREW-SHLDR	2	EA	
18	PF930672	LABEL DC COMPRESSOR	1	EA	
19	017695-000	BOARD,LOW,VOLTAGE	1	EA	
<p>Comments for Part Num. 017695-000</p> <p>bradleysapplianceservice@shaw.ca on Apr 21, 2017 CAUTION WHEN ORDERING PART: 057309-000 LOW VOLTAGE BOARD WHITE FACE - FOR 2 SERIES AND UP. 017695-000 LOW VOLTAGE BOARD BLACK FACE - FOR 1 SERIES ONLY. vharding68@verizon.net on Aug 3, 2018 Thank you for that :-)</p>					
20	PE970609	HARNESS CONTROL BOARD	1	EA	
21	015365-000	HARNESS HIGH VOLT	1	EA	



Item	Part No.	Name	Qty	Uom	NOTES
22	005319-000	POWER CONTROL BOARD ASM	1	EA	
Comments for Part Num. 005319-000					
boltz on Apr 12, 2018 See TR-0056-SP Bulletin					
23	005396-000	FILM,PROTECTIVE	1	EA	
24	A4554817	BUSHING-SNAP VA4554817	2	EA	
25	A3030361	GASKET RED	1	EA	
26	M0288120	NUT-SPEED VM0288120	1	EA	

FF INTERIOR ASSY



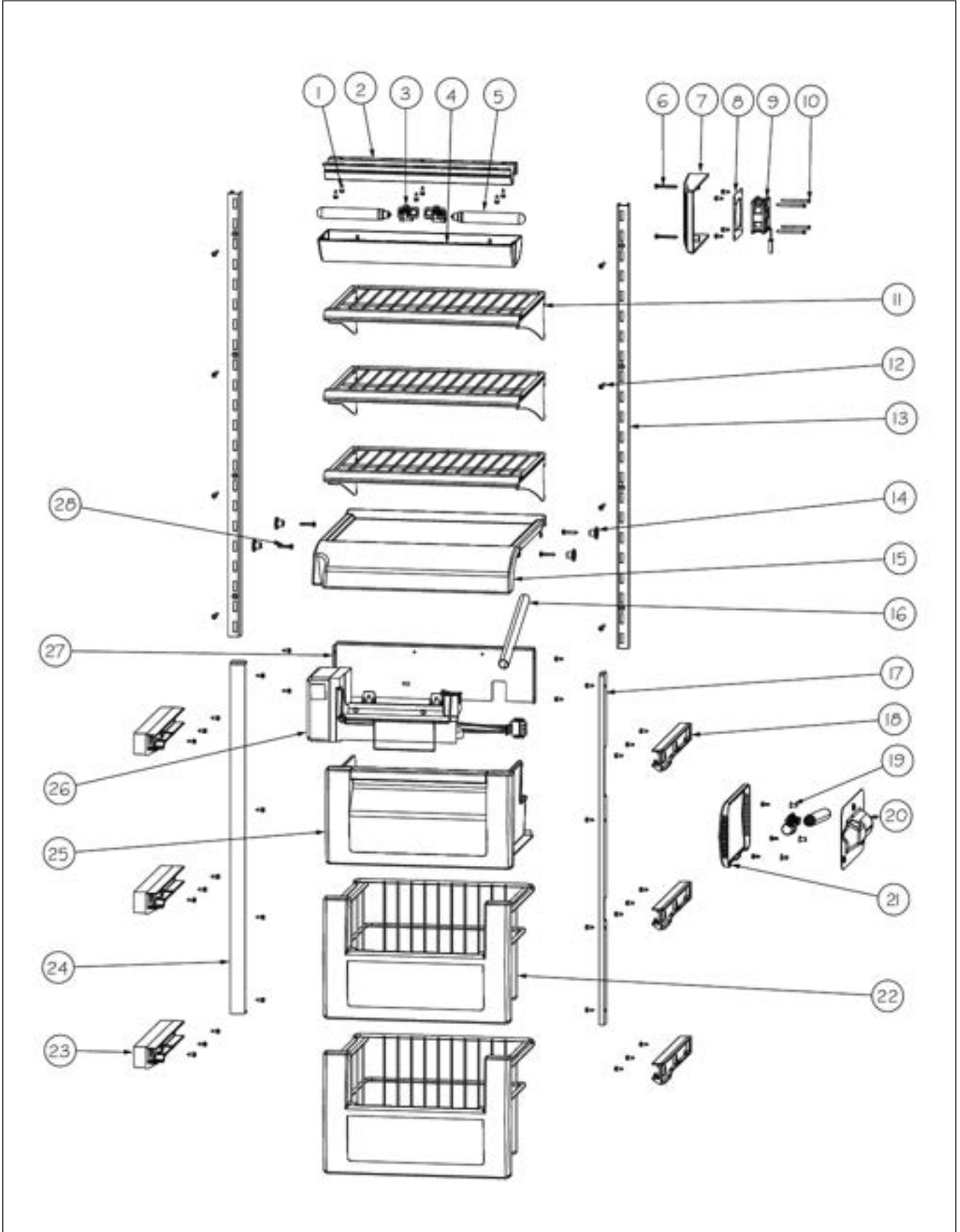


Item	Part No.	Name	Qty	Uom	NOTES
1	L2099492	BRACKET LIGHT SXS 48 FF	1	EA	
2	004528-000	LAMP, 40 WATT BLUE LIGHT	3	EA	
3	PE950125	LIGHT SOCKET	3	EA	
4	PD020194	SCR, HEX SRTD WSHR HD, #8-18 X 1/2	24	EA	
5	020114-000	COVER LIGHT ASM AF/AR 30 SXS 48 FF	1	EA	
6	043624-000	SHELF ASM GLASS 30 AR 48 FF	4	EA	
7	M0238535	SCREW-SM	8	EA	
8	G32911938	DRAWER DELI ASM SXS 48 AR 30	2	EA	
9	PK920024	LADDER FF R	2	EA	
10	G50911937	SHELF ASM	1	EA	
11	012259-000	DRAWER PRODUCE ASM AR 30/48	2	EA	
12	PK930327	DUCT MEATSAVOR SXS 48 REAR	1	EA	
13	M0211021	SCREW-SM	3	EA	
14	044232-000	DUCT MEAT SAVOR (R)	1	EA	
15	PK930172	COVER CONTROL MEAT SAVOR	1	EA	
16	044384-000	DIAL CONTROL MEAT SAVOR	1	EA	
17	PM910334	ROLLER TENSION	1	EA	
18	PK930173	SUPPORT SLIDE MEAT SAVOR SXS 42/48 R	1	EA	
19	PK930309	DRAWER MEAT SAVOR AR 30 SXS 48	1	EA	
20	PK930176	SUPPORT DRAWER MEAT SAVOR 42/48 L	1	EA	
21	PM910288	SLIDE MEAT SAVOR L	1	EA	
Comments for Part Num. PM910288					
profixappliances@gmail.com on May 3, 2017					
ITEM # 5 SHOULD BE PK930288-DOOR MEATSAVOR ASM AR/BM 36					
22	PK930174	SUPPORT SLIDE MEAT SAVOR SXS 42/48 L	1	EA	
23	PK030435	DUCT MEATSAVOR SXS 48 LEFT	1	EA	



Item	Part No.	Name	Qty	Uom	NOTES
24	PD920162	SCR 8-16 PLASTITE PNP 1/4 S	2	EA	
25	045692-000	DOOR MEATSAVOR ASM AR 30 SXS 48	1	EA	
26	PK930308	SHELF MEAT SAVOR AR 30 SXS 48	1	EA	
27	PK930346	COVER LIGHT	1	EA	
28	M0580007	GROMMET-SCREW	3	EA	
29	10270203	HOUSING-LIGHT V10270203	1	EA	
30	007302-000	BRACKET,FAN	1	EA	
31	013112-000	AXIAL FAN	1	EA	
32	M0221913	SCREW-SM	4	EA	
33	C8983701	THERMISTOR	1	EA	
34	010093-000	PLASMA CLUSTER	1	EA	
35	012312-000	FAN COVER SXS	1	EA	
36	PD020188	SCR 8-18 BT HXWS 1 1/2	2	EA	

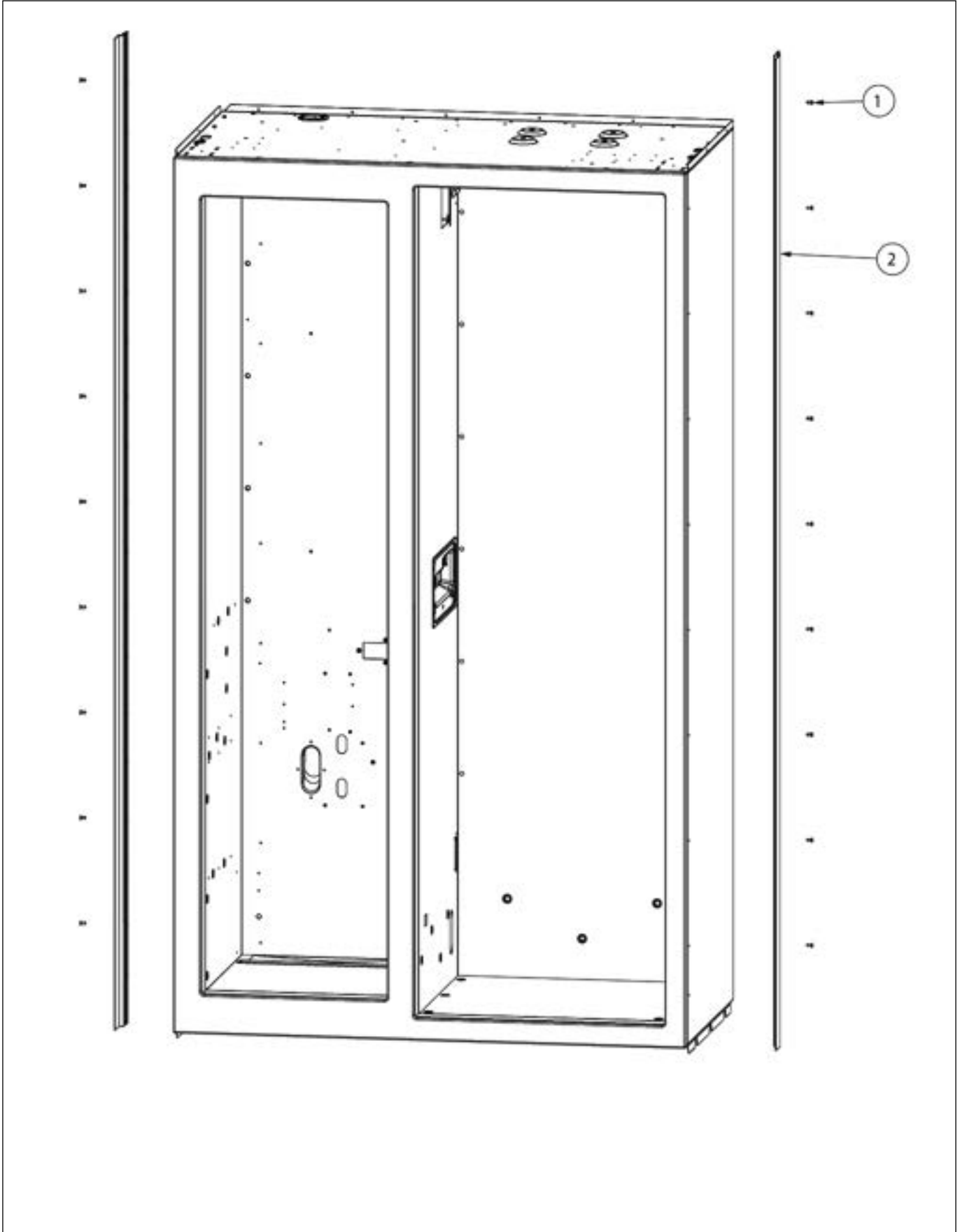
FZ INTERIOR ASSY





Item	Part No.	Name	Qty	Uom	NOTES
1	PD020194	SCR, HEX SRTD WSHR HD, #8-18 X 1/2	43	EA	
2	L2099475	BRACKET LIGHT SXS FZ	1	EA	
3	PE950125	LIGHT SOCKET	3	EA	
4	020117-000	COVER LIGHT ASM SXS 42 FZ	1	EA	
5	004528-000	LAMP, 40 WATT BLUE LIGHT	3	EA	
6	PD020188	SCR 8-18 BT HXWS 1 1/2	2	EA	
7	PK930086	COVER FAN SXS 48 FZ	1	EA	
8	007302-000	BRACKET,FAN	1	EA	
9	013112-000	AXIAL FAN	1	EA	
10	M0221913	SCREW-SM	4	EA	
11	PM910411	SHELF WIRE 42/48	3	EA	
12	M0238535	SCREW-SM	8	EA	
13	071772-006	LADDER, FZ, L/R SIDE, 42/48	2	EA	
14	12258501	SUPPORT-SHELF	4	EA	
15	PK930079	SHELF COVER SXS 48 FZ	1	EA	
16	A3127415	EXT-FILL TUBE	1	EA	
17	12304301	CLOSEOUT-FZ SIDE #	1	EA	
18	PK930074	GLIDE SXS 48 FZ R	3	EA	
19	M0580007	GROMMET-SCREW	3	EA	
20	10270203	HOUSING-LIGHT V10270203	1	EA	
21	PK930346	COVER LIGHT	1	EA	
22	PM910190	BASKET ASM FZ	2	EA	
23	PK930075	GLIDE SXS 48 FZ L	3	EA	
24	PK930073	CLOSEOUT SIDE SXS 48 FZ L	1	EA	
25	PK930076	ICE PAN ASM SXS 48	1	EA	
26	G50911851	IM ASM, SXS & AF	1	EA	
27	C2097183	SUPPORT IM ND SXS 48	1	EA	
28	M0211021	SCREW-SM	4	EA	

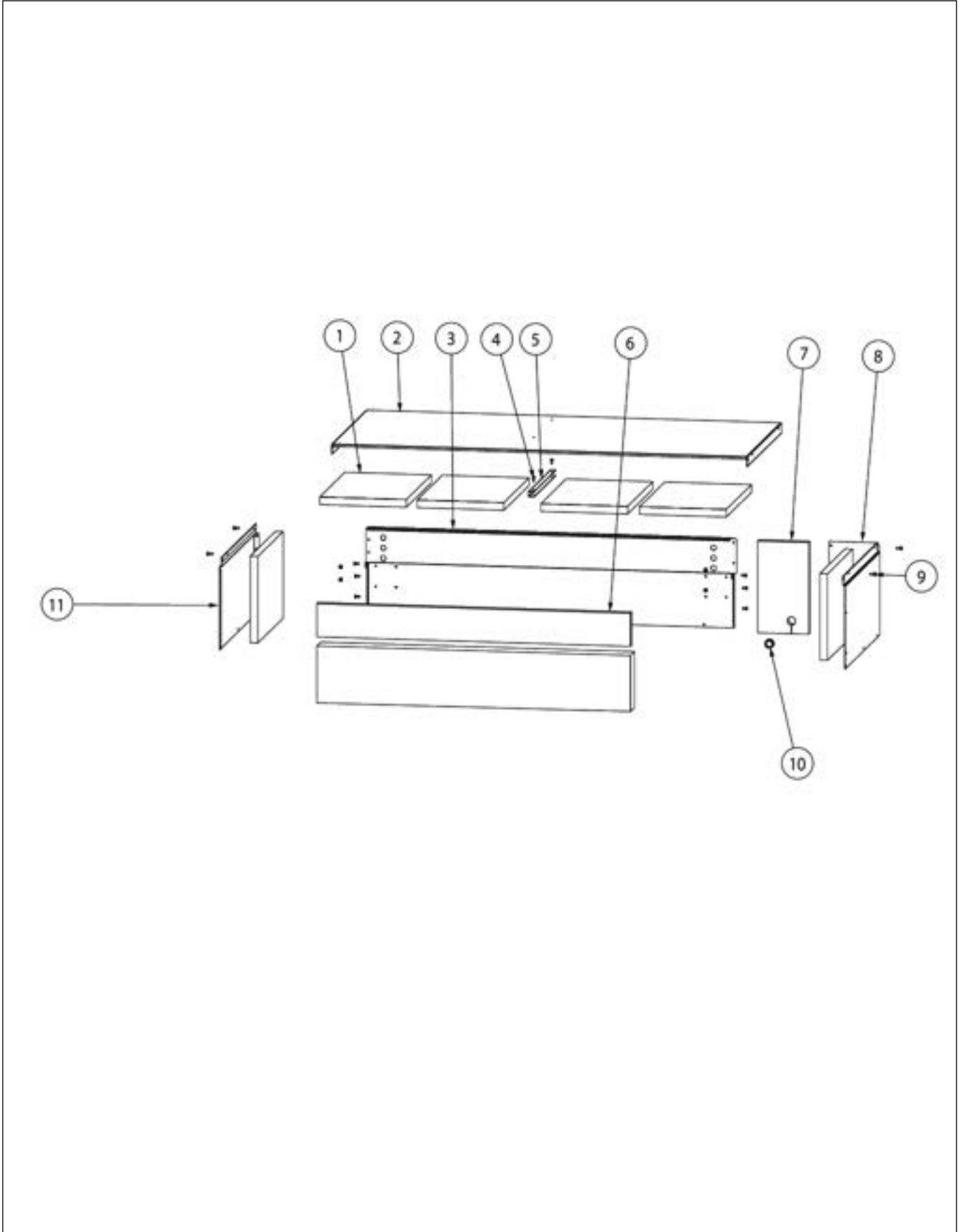
EXTERIOR ASSY





Item	Part No.	Name	Qty	Uom	NOTES
1	M0215318	SCREW-SM	18	EA	
2	PK910123	SIDE TRIM - PRO	2	EA	

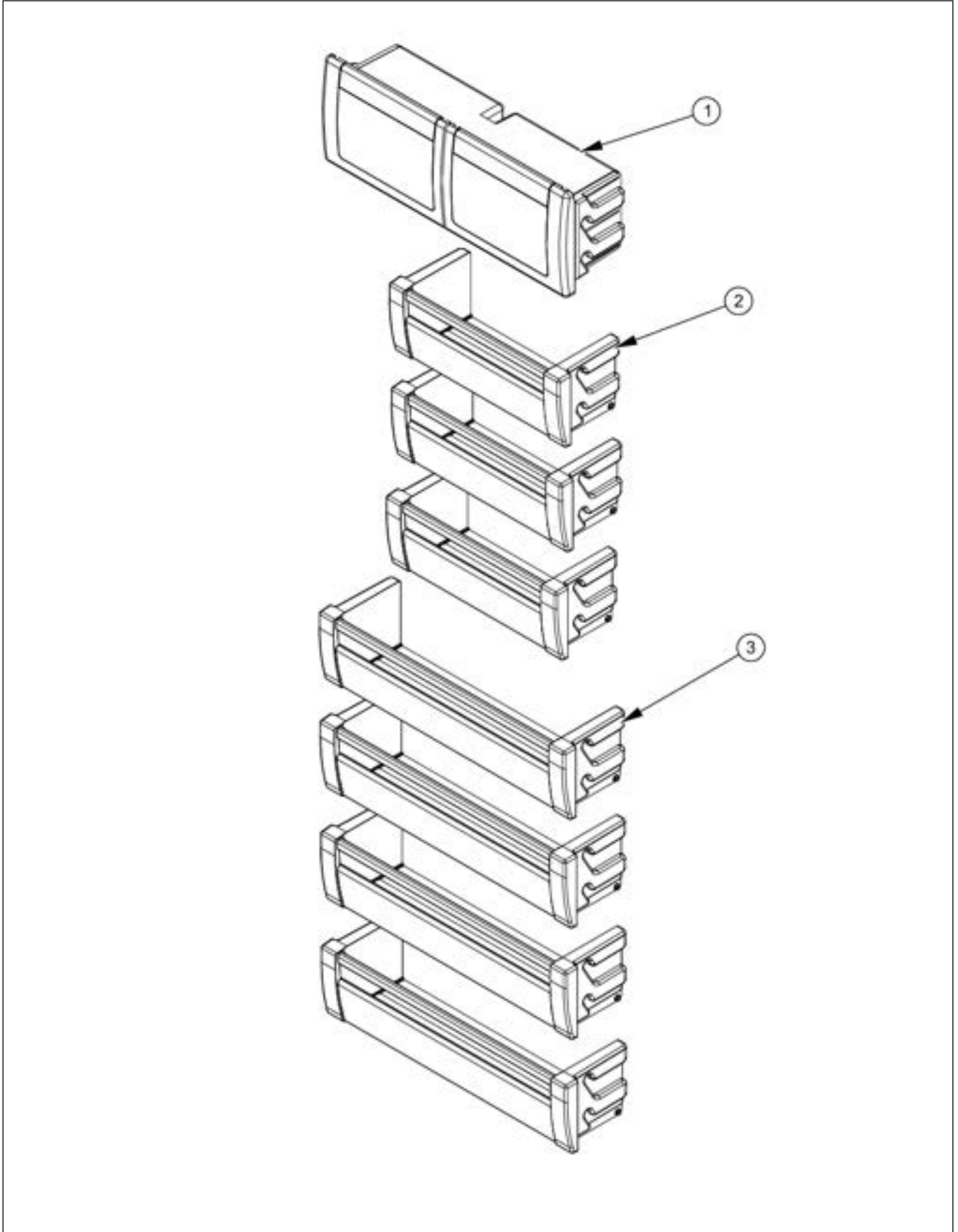
MC COVER





Item	Part No.	Name	Qty	Uom	NOTES
1	PB070355	INSULATION MC COVER	6	EA	
2	K2099458	MC TOP SXS 42	1	EA	
3	K2099461	MC BACK 42	1	EA	
4	PC040010	POP RIVET (.063/GR -.125) GAMD42-A	19	EA	
5	K2099455	SUPPORT MC Z	1	EA	
6	PB070360	INSULATION MC COVER	2	EA	
7	007341-000	INSL,MC,BACK SIDE	1	EA	
8	004614-000	MC SIDE R	1	EA	
9	PD020194	SCR, HEX SRTD WSHR HD, #8- 18 X 1/2	40	EA	
10	A4554806	BUSHING-SNAP VA4554806	1	EA	
11	K2099460	MC SIDE L	1	EA	

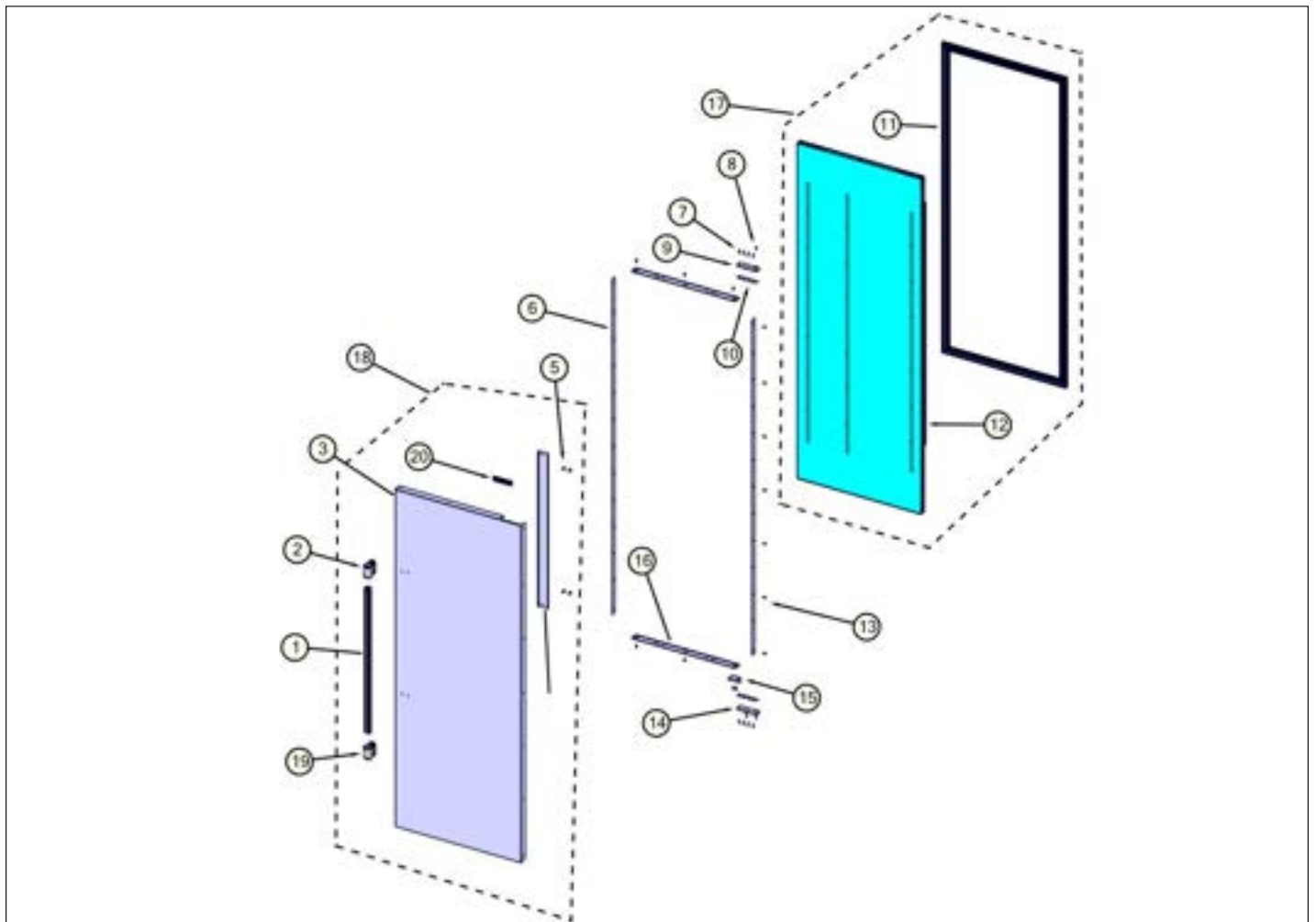
DOOR SHELVES





Item	Part No.	Name	Qty	Uom	NOTES
1	V12203602	DAIRY MODULE ASSY #	1	EA	
2	036888-000	DOORBIN ASM SXS FZ	3	EA	
3	036886-000	DOORBIN ASM SXS 48 FF	4	EA	
NI	019244-000	ACCESSORY, ASM	1	EA	

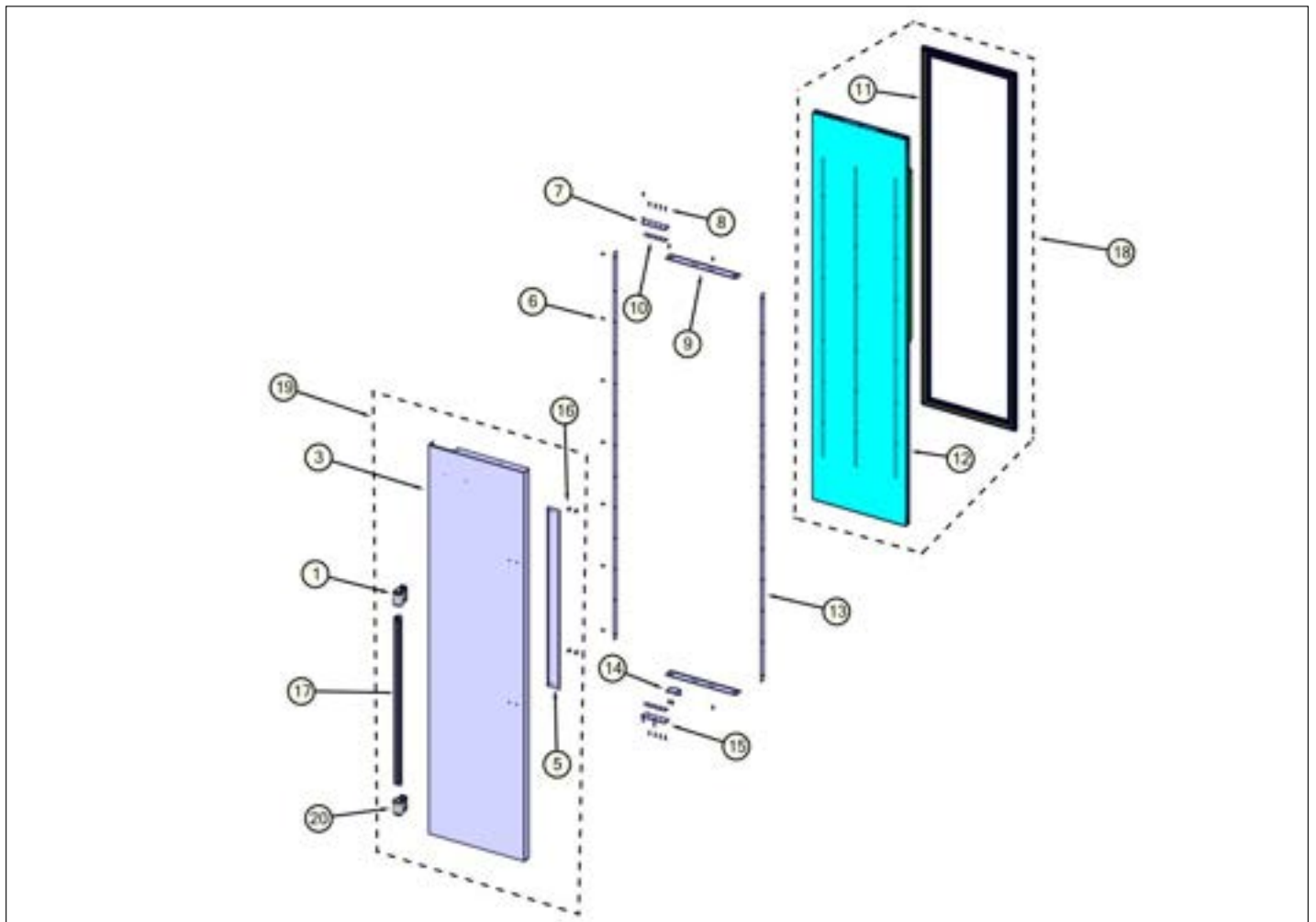
FF Door View





Item	Part No.	Name	Qty	Uom	NOTES
1	036585-000	HANDLE, BI REF, D3	1	EA	
2	035246-000	ENDCAP, REF, SOURCED, D3, LH ASM	2	EA	
3	037818-000	SKIN, DOOR, SXS 48 FF D3 SS	1	EA	
4	037601-000	BRACKET, HDL, D3	1	EA	
5	037839-000	8-32 X 1 PHIL FLAT MACH	4	EA	
6	014581-000	SPACER, TRIM, SXS, AF, AR	2	EA	
7	PD920174	10X7/8 PHILLIPS SMA TRI LOBE SA	8	EA	
8	PD020234	SCREW THP 10-32 X .500 SS BO	1	EA	
9	PC020278	PIVOT PL ASM RH UP PRO/DES	1	EA	
10	PD040162	SPACER-DOOR HINGE	2	EA	
11	005454-000	GASKET, ASM, 48, SXS, FF	1	EA	
12	007047-000	DOOR FOAM ASM SXS 48 FF	1	EA	
13	M0210458	SCR 8-18 X 5/8 WAFER PH SMS	14	EA	
14	016181-000	PIVOT PL ASM RH LW PRO/DES	1	EA	
15	PD050019	STRIKER DOOR SWITCH	1	EA	
16	PK030559	TRIM DOOR BULLNOSE 48 FF TOP/BOT	2	EA	
17	007070-000	DOOR ASM 48/48D FF	1	EA	
18	038207-000	SKIN, ASM SXS 48 FF D3 SS	1	EA	
19	035237-000	ENDCAP, REF, SOURCED, D3, RH ASM	1	EA	
NI	037836-000	8-32 TOPLOCK HEX LOCKNUT	4	EA	
20	034788-000	NAMEPLATE, D3 LARGE W/PINS	1	EA	

FZ Door View





Item	Part No.	Name	Qty	Uom	NOTES
1	035246-000	ENDCAP, REF, SOURCED, D3, LH ASM	1	EA	
3	037814-000	SKIN, DOOR, SXS 48 FZ D3 SS	1	EA	
5	037601-000	BRACKET, HDL, D3	1	EA	
6	M0210458	SCR 8-18 X 5/8 WAFER PH SMS	12	EA	
7	PC020279	PIVOT PL ASM LH UP PRO/DES	1	EA	
8	PD920174	10X7/8 PHILLIPS SMA TRI LOBE SA	8	EA	
9	PK030560	TRIM DOOR BULLNOSE 48 FZ TOP/BOT	2	EA	
10	PD040162	SPACER-DOOR HINGE	2	EA	
11	005455-000	GASKET,ASM,48,SXS,FZ VID# 602711917-17	1	EA	
12	007050-000	DOOR FOAM ASM SXS 48 FZ	1	EA	
13	014581-000	SPACER,TRIM,SXS,AF,AR	2	EA	
14	PD050019	STRIKER DOOR SWITCH	1	EA	
15	016182-000	PIVOT PL ASM LH LW PRO/DES	1	EA	
16	037839-000	8-32 X 1 PHIL FLAT MACH	4	EA	
17	036585-000	HANDLE, BI REF, D3	1	EA	
18	007072-000	DOOR ASM 48 FZ	1	EA	
19	038210-000	SKIN ASM, SXS 48 PROI FZ SS	1	EA	
20	035237-000	ENDCAP, REF, SOURCED, D3, RH ASM	1	EA	



Appendix A:Pages Index

CAB BOTTOM ASSY 3
CONTROL PANEL ASSY 6
DOOR SHELVES 11
EXTERIOR ASSY 9
FF Door View 12
FF INTERIOR ASSY 7
FZ Door View 13
FZ INTERIOR ASSY 8
HI SIDE ASSY 1, 4
LOW SIDE ASSY 5
MC COVER 10
UPPER GRILLE ASSY 2



Appendix B:Parts Index

000570-000	1, 3, 4	034237-000	2
003004-000	2	034788-000	12
003867-000	3	035237-000	12, 13
004528-000	7, 8	035246-000	12, 13
004614-000	10	036585-000	12, 13
005319-000	6	036886-000	11
005396-000	6	036888-000	11
005454-000	12	037601-000	12, 13
005455-000	13	037814-000	13
007047-000	12	037818-000	12
007050-000	13	037836-000	12
007070-000	12	037839-000	12, 13
007072-000	13	038207-000	12
007302-000	7, 8	038210-000	13
007341-000	10	043624-000	7
010093-000	7	044232-000	7
011332-000	3	044370-000	3
011666-000	1, 4	044384-000	7
012259-000	7	045013-000	3
012312-000	7	045692-000	7
013112-000	3, 7, 8	053301-000	5
014190-000	1, 4	058966-000	5
014334-000	3	059105-000	1, 4
014519-000	1, 4	060890-000	3
014581-000	12, 13	060891-000	3
015037-000	6	068353-000	1, 4
015038-000	6	071772-006	8
015365-000	6	10270203	7, 8
016181-000	12	10428101	5
016182-000	13	10527401	5
016194-000	2	10547001	1, 4
016197-000	2	10623003	5
016272-000	6	10629001	5
016593-000	6	10699601	1, 4
017695-000	6	10835901	1, 4
019244-000	11	12064001	6
020114-000	7	12258501	8
020117-000	8	12304301	8
033709-000	2	A3030361	6
033729-000	2	A3127415	8
		A3189370	5



A4554806	3, 10	L2099475	8
A4554817	3, 6	L2099492	7
B20915627	3	M0104106	1, 3, 4, 6
C2097183	8	M0210458	12, 13
C8983701	5, 7	M0211014	5
F20915693	3	M0211021	7, 8
F2096504	1, 4	M0215318	9
F2096507	1, 4	M0220417	3
F2097740	1, 4	M0221523	1, 3, 4
F2099443	1, 4	M0221913	7, 8
F2099444	1, 4	M0224128	2, 6
G32911938	7	M0230028	2
G32913789	3	M0238535	7, 8
G50911851	8	M0238846	6
G50911853	3	M0253916	3
G50911937	7	M0288120	6
G5096494	1, 4	M0580007	7, 8
G5098660	5	M0585504	6
K20910060	6	PB020304	3
K20910061	6	PB070355	10
K20911831	3	PB070360	10
K20915000	6	PB920201	1, 4
K20915952	3	PC020278	12
K2096456	5	PC020279	13
K2096457	5	PC020288	3
K2096458	5	PC020289	3
K2096461	5	PC040010	6, 10
K2096943	1, 4	PC910015	3
K2098044	3	PC920144	3
K2098096	3	PC920145	3
K2099402	6	PC920149	3
K2099454	1, 4	PC920166	3
K2099455	10	PC920203	1, 4
K2099458	10	PC920204	1, 4
K2099460	10	PD020010	3
K2099461	10	PD020188	7, 8
K2099470	2	PD020194	1, 2, 3, 4, 5, 6, 7, 8, 10
K2099471	2	PD020195	1, 4
L20914124WH	3	PD020234	12
L2097181	5	PD020274	3
L2097182	5	PD030118	1, 4



PD030146	3	PK930327	7
PD040162	12, 13	PK930346	7, 8
PD050019	12, 13	PK930348	3
PD920162	7	PM010616	1, 4
PD920174	12, 13	PM010619	1, 4
PD940090	3	PM910084	2
PD940091	3	PM910190	8
PD940094	3	PM910206	5
PD940107	3	PM910288	7
PE050248	3	PM910334	7
PE950125	7, 8	PM910348	2
PE950146	3	PM910349	2
PE950147	3	PM910365	2
PE950149	1, 4	PM910411	8
PE970464	6	V12203602	11
PE970609	6		
PF031267	3		
PF930487	6		
PF930523	2		
PF930672	6		
PJ910031	5		
PK030435	7		
PK030540	5		
PK030559	12		
PK030560	13		
PK050004	2		
PK910123	9		
PK920024	7		
PK930073	8		
PK930074	8		
PK930075	8		
PK930076	8		
PK930079	8		
PK930086	8		
PK930150	5		
PK930172	7		
PK930173	7		
PK930174	7		
PK930176	7		
PK930308	7		
PK930309	7		