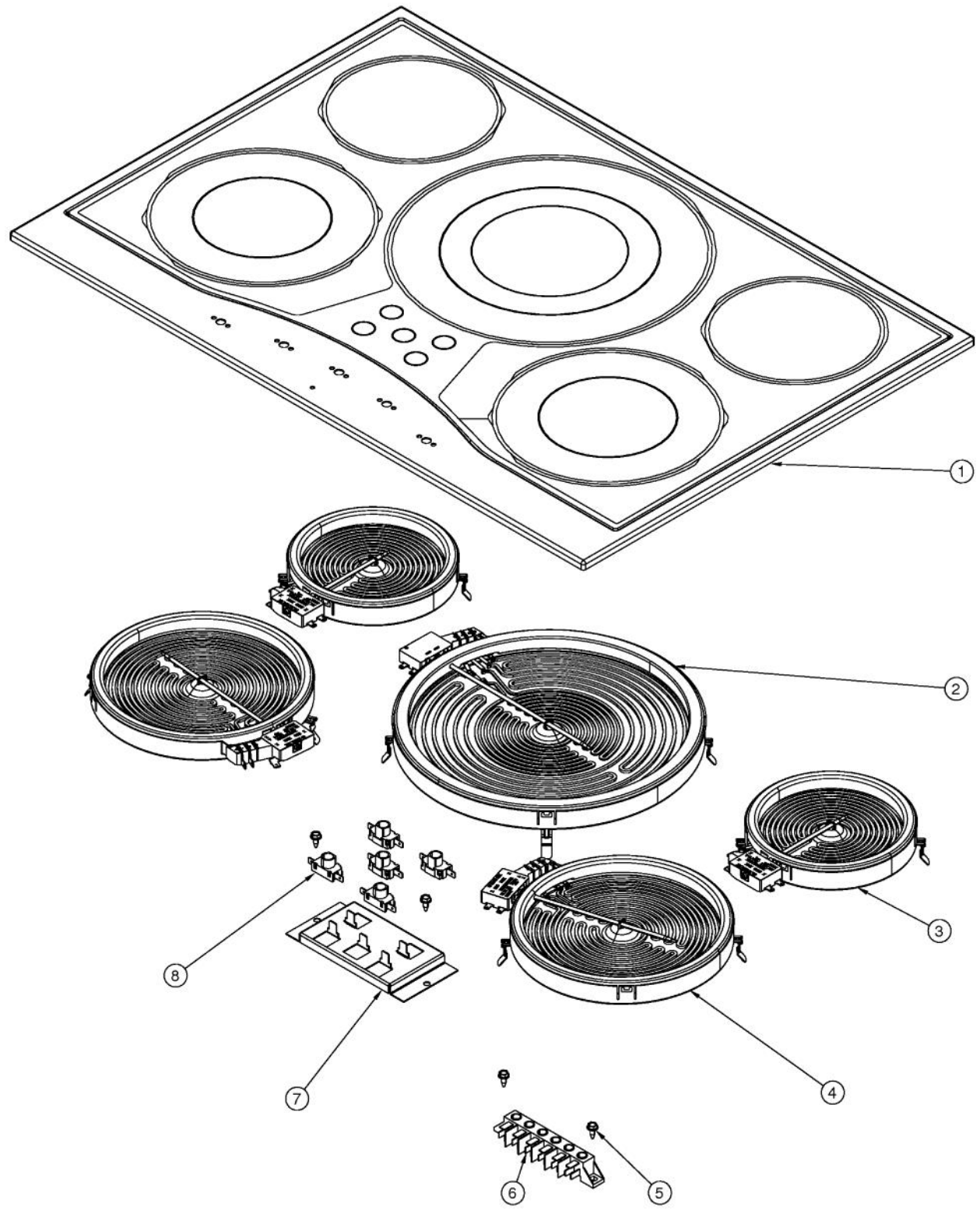
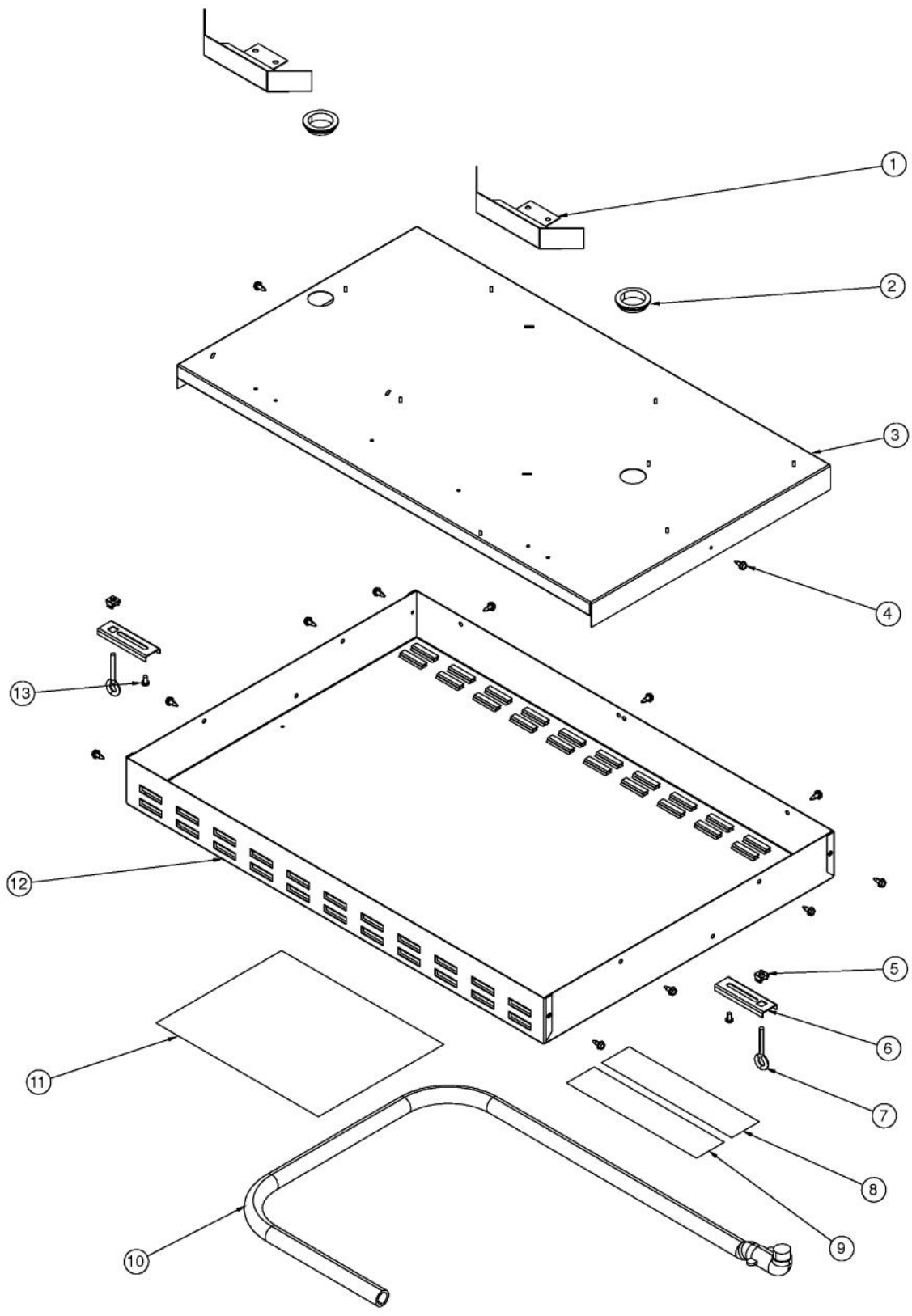


Ref #	Part Number	Qty.	Description
1	032299-000	1	TRIPLE INF. KNOB, ASM, COOKTOP, BLADE, D3
2	032292-000	2	SNGL INF KNOB, ASM, COOKTOP, BLADE, D3
3	032297-000	2	DUAL INF. KNOB ASM, COOKTOP, BLADE, D3
4	PD020269	10	NO.8 PAN HEAD SCREW
5	PB070078	5	SILICONE GASKET (DESU)
6	031733-000	2	DUAL INFINITE SWITCH
7	031728-000	2	SINGLE INFINITE SWITCH
8	031734-000	1	TRIPLE INFINITE SWITCH
9	017582-000	1	LIGHT HOUSING, BLUE NEON
10	017579-000	1	LENS, BLUE



Ref #	Part Number	Qty.	Description
1	032151-000	1	RDECU 30 GLASS TOP ASM
2	032150-000	1	TRIPLE ELEMENT ASM, D3
3	032146-000	2	6 ELEMENT ASM, D3
4	032149-000	2	8 ELEMENT ASM, D3
5	003860-000	4	NO.10-18 X .500 FASTNR,SCR,HXWH,STL,ZPLT
6	PE070231	1	TERMINAL BLOCK - 6 POLE (HEYCO)
7	033491-000	1	BRACKET, LIGHT, D3
8	PE050113	5	DECU INDICATOR LIGHT (SP-2185-BDPS)



Ref #	Part Number	Qty.	Description
1	032995-000	2	HEAT SHIELD
2	PB070320	2	SILICONE EXTRUSION
3	032139-000	1	30 CROSS BRACE
4	003860-000	13	NO.10-18 X .500 FASTNR,SCR,HXWH,STL,ZPLT
5	PD030029	2	SELF RETAINING NUT (1/4-20)
6	A2003053	2	RET.BRKT VGUSU101 REPL PG210006
7	PD010027	2	EYE BOLT-VGSU101/161
8	PE020047	1	RATING LABEL
9	PE020050	1	RATING PLATE (VESC/VERT)
10	032247-000	1	CONDUIT, D3 COOKTOP
11	033788-200	1	WIRING DIAGRAM
12	NON-SERVICEABLE	1	TUB WELDMENT
13	PD020004	2	10X3/8PH.HD.TYPE 25 REPL PD040125