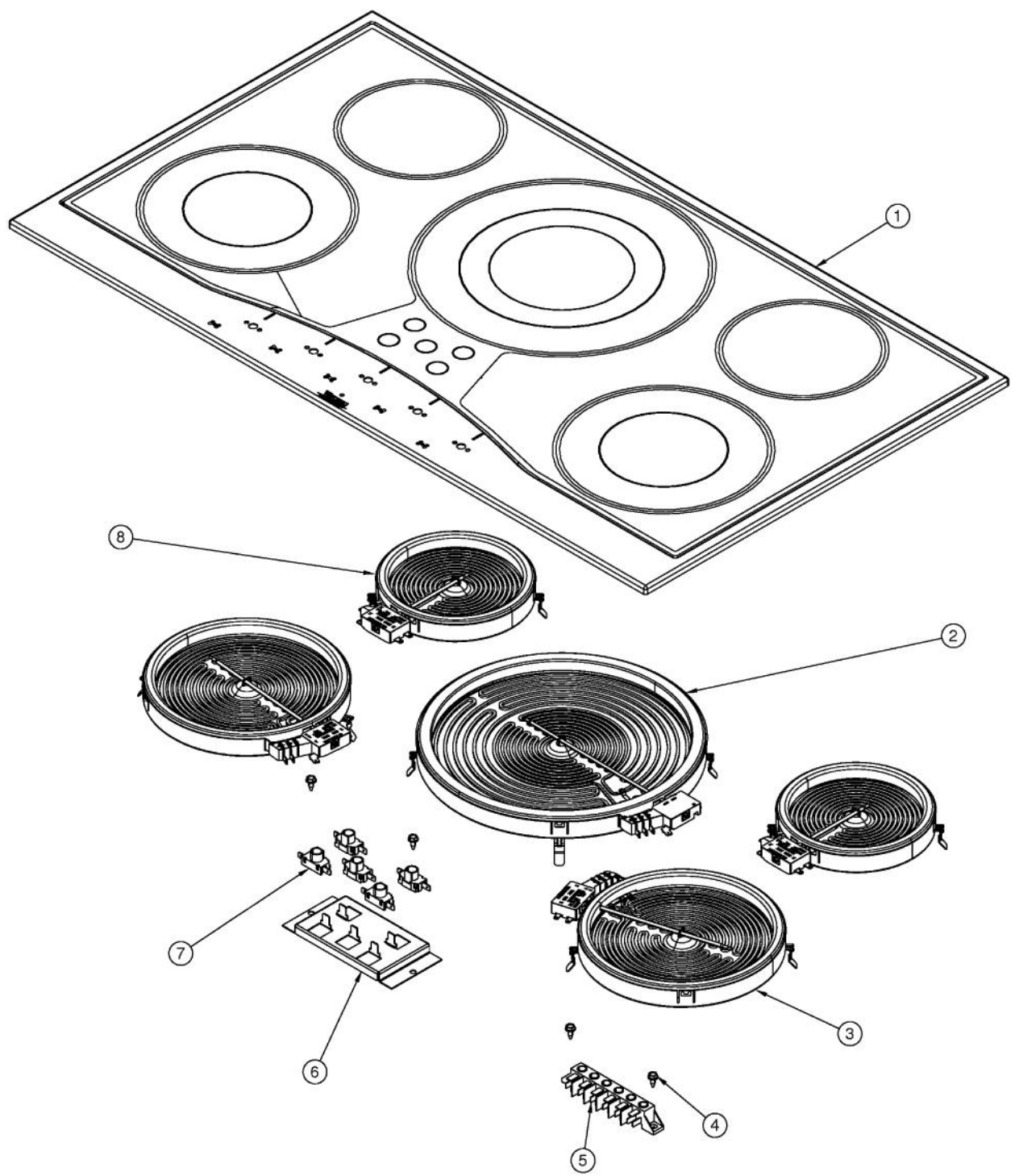
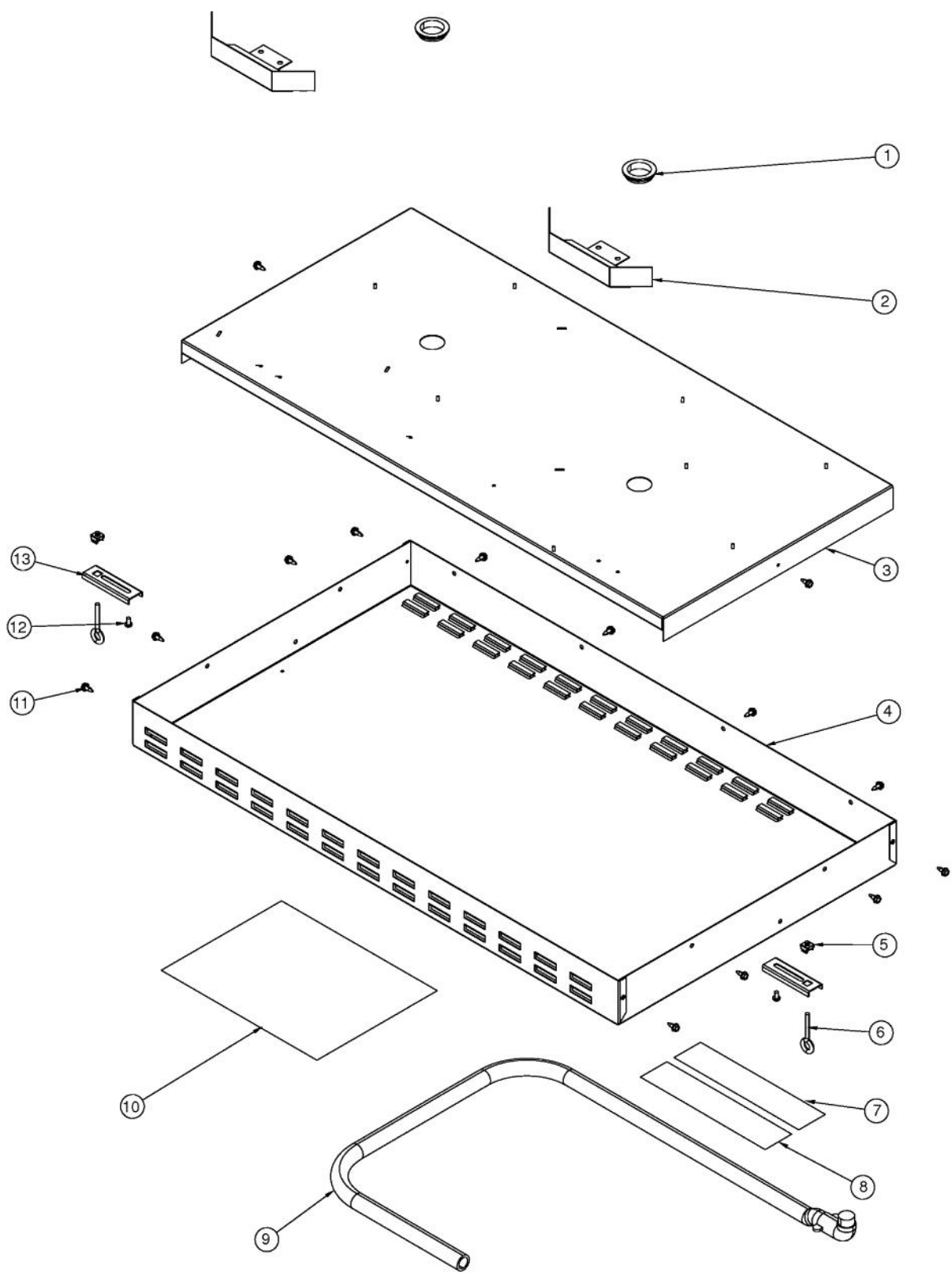


Ref #	Part Number	Qty.	Description
1	032299-000	1	TRIPLE INF. KNOB, ASM, COOKTOP, BLADE, D3
2	032292-000	2	SNGL INF KNOB, ASM, COOKTOP, BLADE, D3
3	032297-000	2	DUAL INF. KNOB ASM, COOKTOP, BLADE, D3
4	PD020269	10	NO.8 PAN HEAD SCREW
5	PB070078	5	SILICONE GASKET (DESU)
6	031733-000	2	DUAL INFINITE SWITCH
7	031728-000	2	SINGLE INFINITE SWITCH
8	031734-000	1	TRIPLE INFINITE SWITCH
9	017582-000	1	LIGHT HOUSING, BLUE NEON
10	017579-000	1	LENS, BLUE



Ref #	Part Number	Qty.	Description
1	032274-000	1	COOKTOP, GL, & FRAME, 36 ASSY
2	032150-000	1	TRIPLE ELEMENT ASM, D3
3	031376-000	2	DOUBLE 2000W (1000/1000) ELEMENT
4	003860-000	4	NO.10-18 X .500 FASTNR,SCR,HXWH,STL,ZPLT
5	PE070231	1	TERMINAL BLOCK - 6 POLE (HEYCO)
6	033491-000	1	BRACKET, LIGHT, D3
7	PE050077	5	INDICATOR LIGHT
8	031377-000	2	EGO SINGLE 1200W



Ref #	Part Number	Qty.	Description
1	PB070320	2	SILICONE EXTRUSION
2	032995-000	2	HEAT SHIELD
3	032271-000	1	36 CROSS BRACE
4	032272-000	1	BURNER BOX ASM, RDECU266
5	PD030029	2	SELF RETAINING NUT (1/4-20)
6	PD010027	2	EYE BOLT-VGSU101/161
7	PE020047	1	RATING LABEL
8	PE020050	1	RATING PLATE (VESC/VERT)
9	032247-000	1	CONDUIT, D3 COOKTOP
10	033788-200	1	WIRING DIAGRAM
11	003860-000	14	NO.10-18 X .500 FASTNR,SCR,HXWH,STL,ZPLT
12	PD020004	2	10X3/8PH.HD.TYPE 25 REPL PD040125
13	A2003053	2	RET.BRKT VGSU101 REPL PG210006