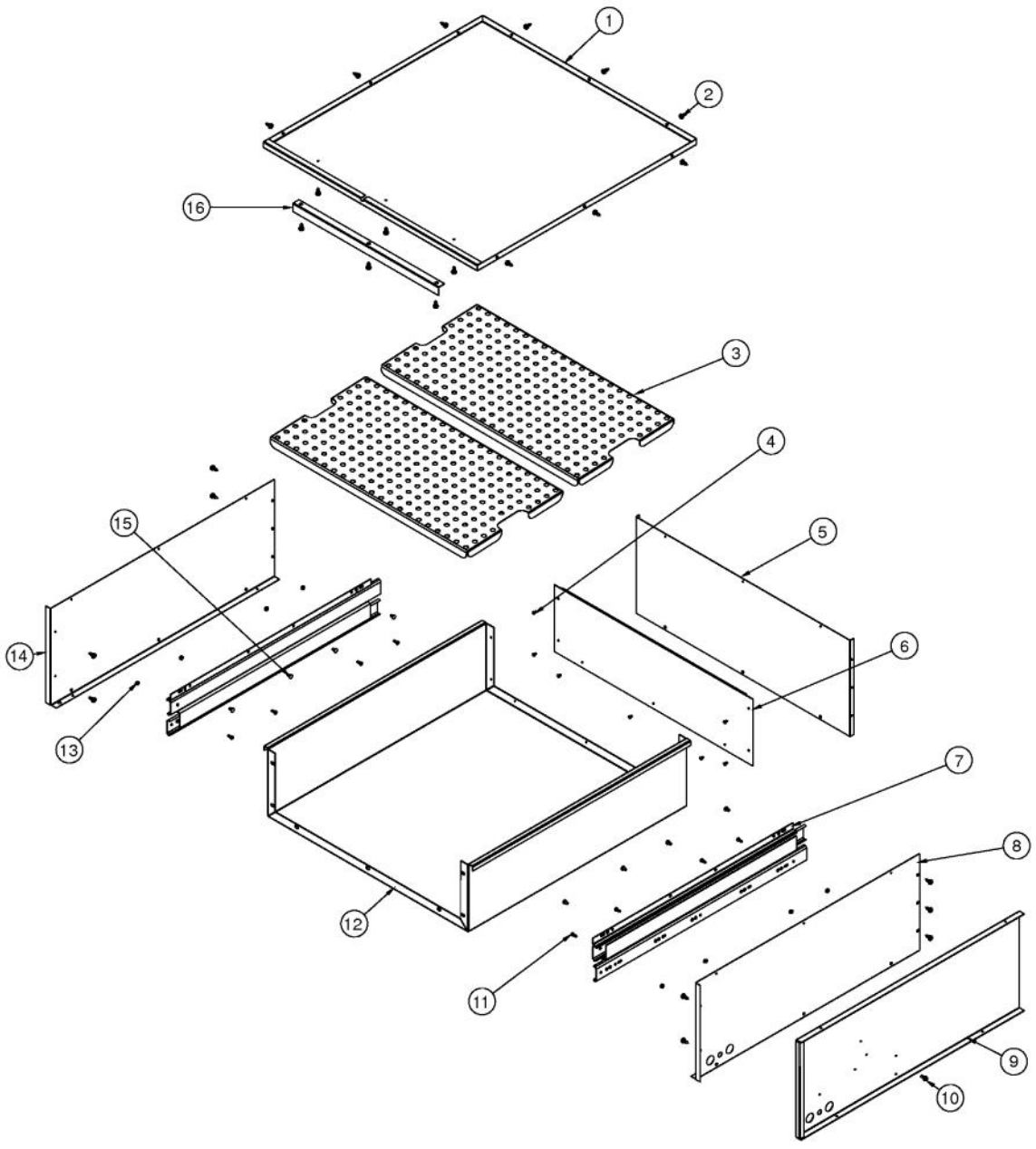
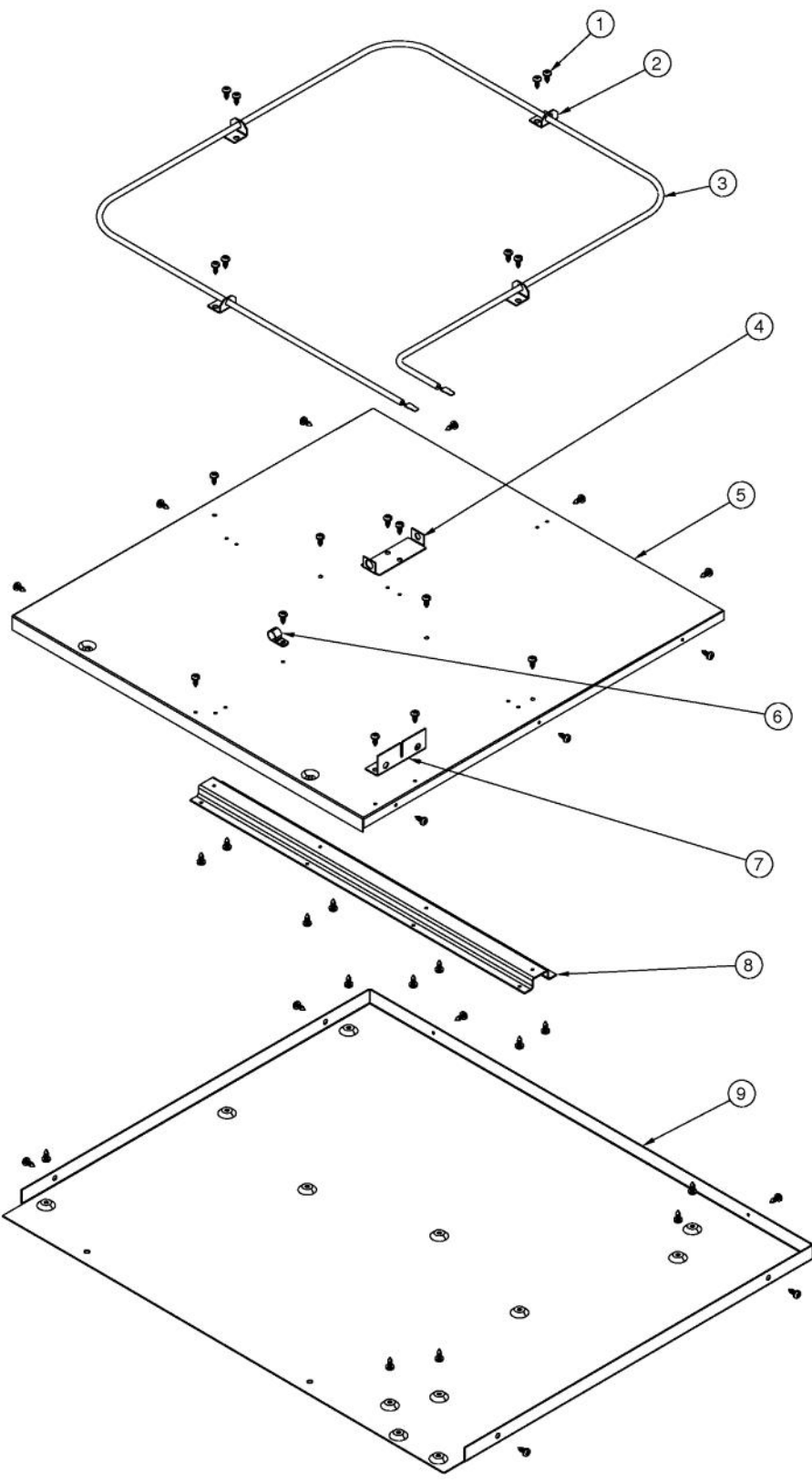


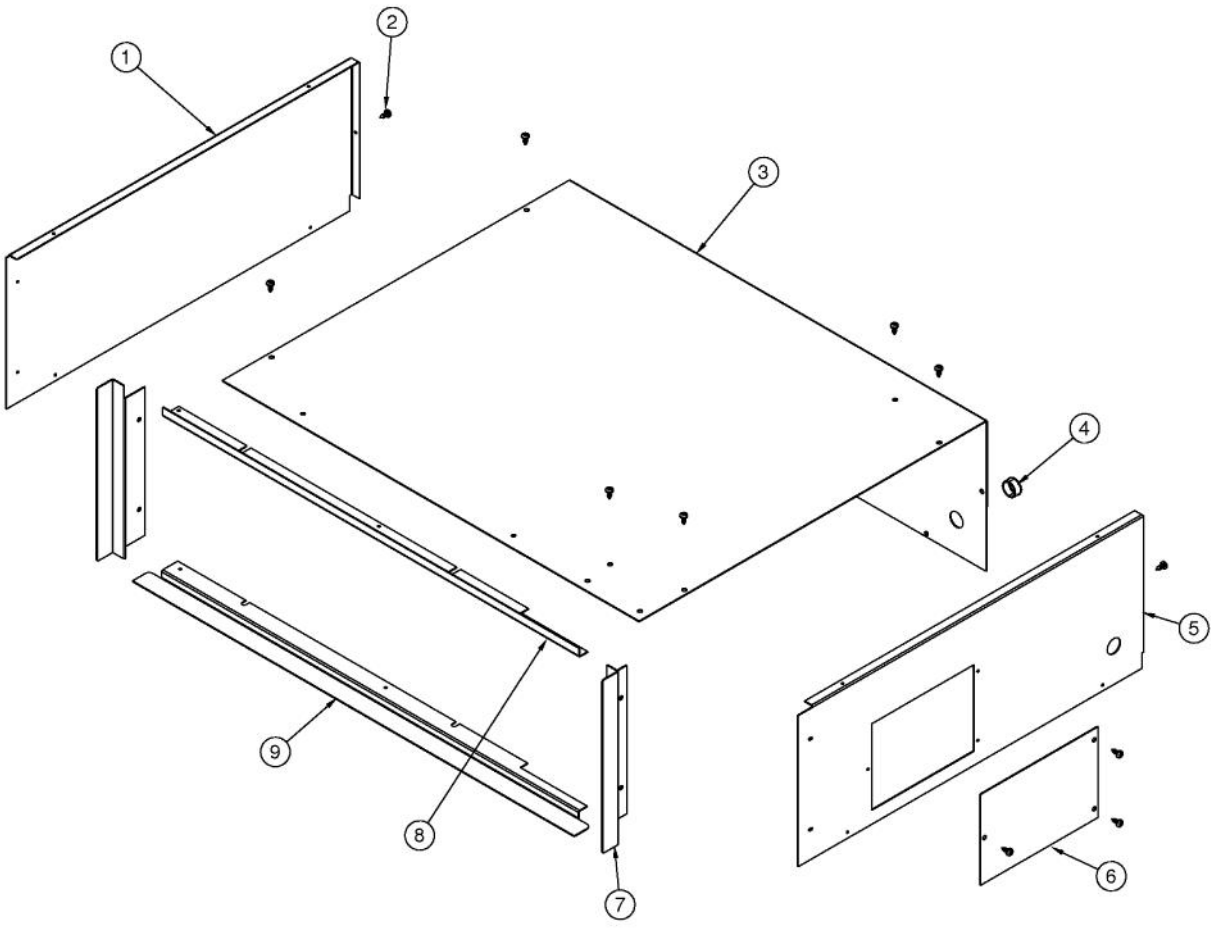
Ref #	Part Number	Qty.	Description
1	031595-000	1	KNOB, ASM, WARMING DRAWER, BLADE, D3
2	024912-000	1	CONTROL PANEL W/GRAPHICS
3	025019-000	1	PLATE, CONTROL PANEL
4	PD020087	6	10 X 1/2 PAN PH. TEK ZINC
5	A2006075	1	THERMOSTAT SPACER, DESIGNER
6	PB010167	1	THERMOSTAT
7	PE070147	1	TERMINAL BLOCK
8	PD020009	4	10 X 1 PH. HD. PAN HD. SMS
9	A2002195	1	POWER CORD MOUNTING BRKT (VDSC)
10	A1002457	1	POWER CORD MOUNTING STRAP (VDSC)
11	PD020076	1	6-32 X 3/8 PHILL PAN MS
12	017211-000	1	INDICATOR LIGHT XL SNAP IN CLEAR LIGHT



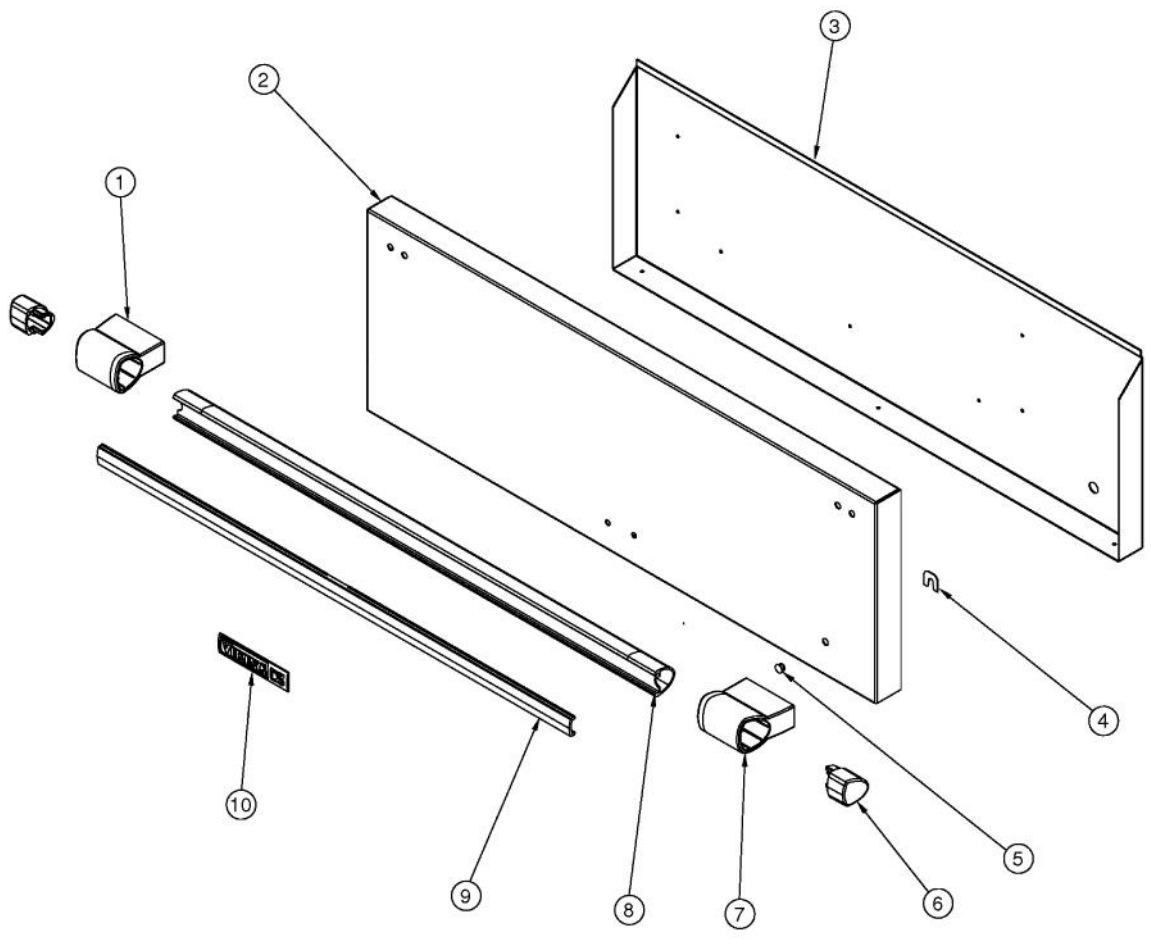
Ref #	Part Number	Qty.	Description
1	005026-000	1	30 I/S TOP PANEL VEWD103
2	PD020087	24	10 X 1/2 PAN PH. TEK ZINC
3	020945-000	2	FRONT RACK - 30 (VEWD)
4	PC040010	6	POP RIVET
5	B2004176	1	REAR INSIDE PANEL - 30 (VEWD)
6	B20015248	1	WARMING DRAWER BACK (30)
7	PC020022	2	WARMING DRAWER SLIDES
8	004646-000	1	RH INNER WALL
9	003393-000	1	INSULATION PANEL VEWD
10	PD020010	1	10 X 3/8 GREEN GROUNDING SCREW
11	PD020076	8	6-32 X 3/8 PHILL PAN MS
12	016456-000	1	WARMING DRAWER 30 ASM
13	PD030012	8	6-32 HEX NUT
14	005027-000	1	LH INNER WALL VEWD
15	PC040019	8	POP RIVET (0.125 GR X 0.156 DIA)
16	B2004125	1	DRAWER STOP 27



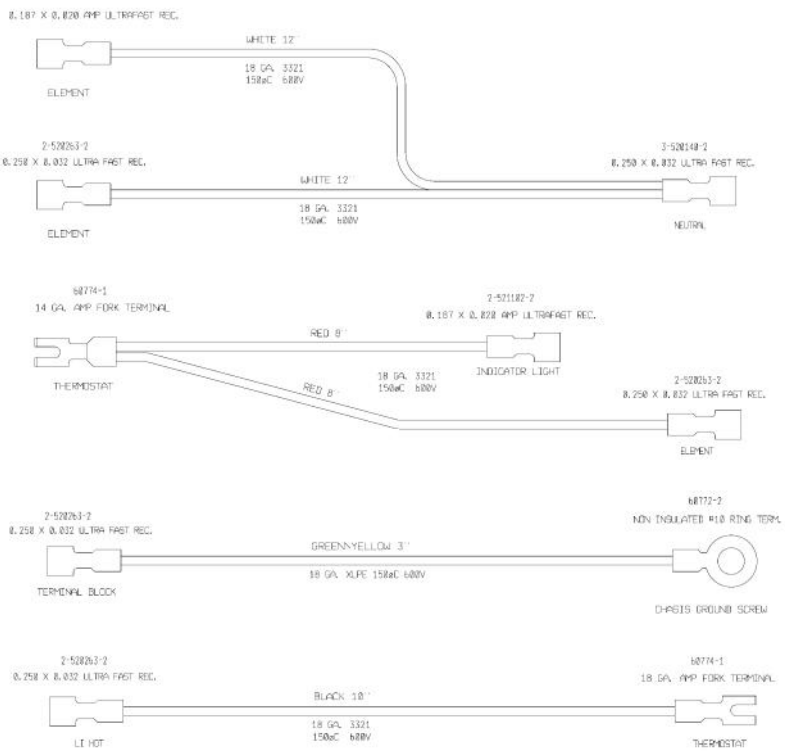
Ref #	Part Number	Qty.	Description
1	PD020087	46	10 X 1/2 PAN PH. TEK ZINC
2	B2004147	4	ELEMENT BRACKET (VEWD)
3	PJ010009	1	ELEMENT - 30 (VEWD)
4	024166-000	1	THERMOBULB BRACKET
5	B20015280	1	BOTTOM INSIDE PANEL - 30 (VEWD)
6	PD030148	1	CLAMP CABLE ALUMINUM .500 DIA. (AL-8 CLAMP)
7	B2004141	1	BRACKET
8	A2007075	1	30`` WARMING DRAWER BRKT
9	002437-000	1	30 WARMING DRAWER BOTTOM AL



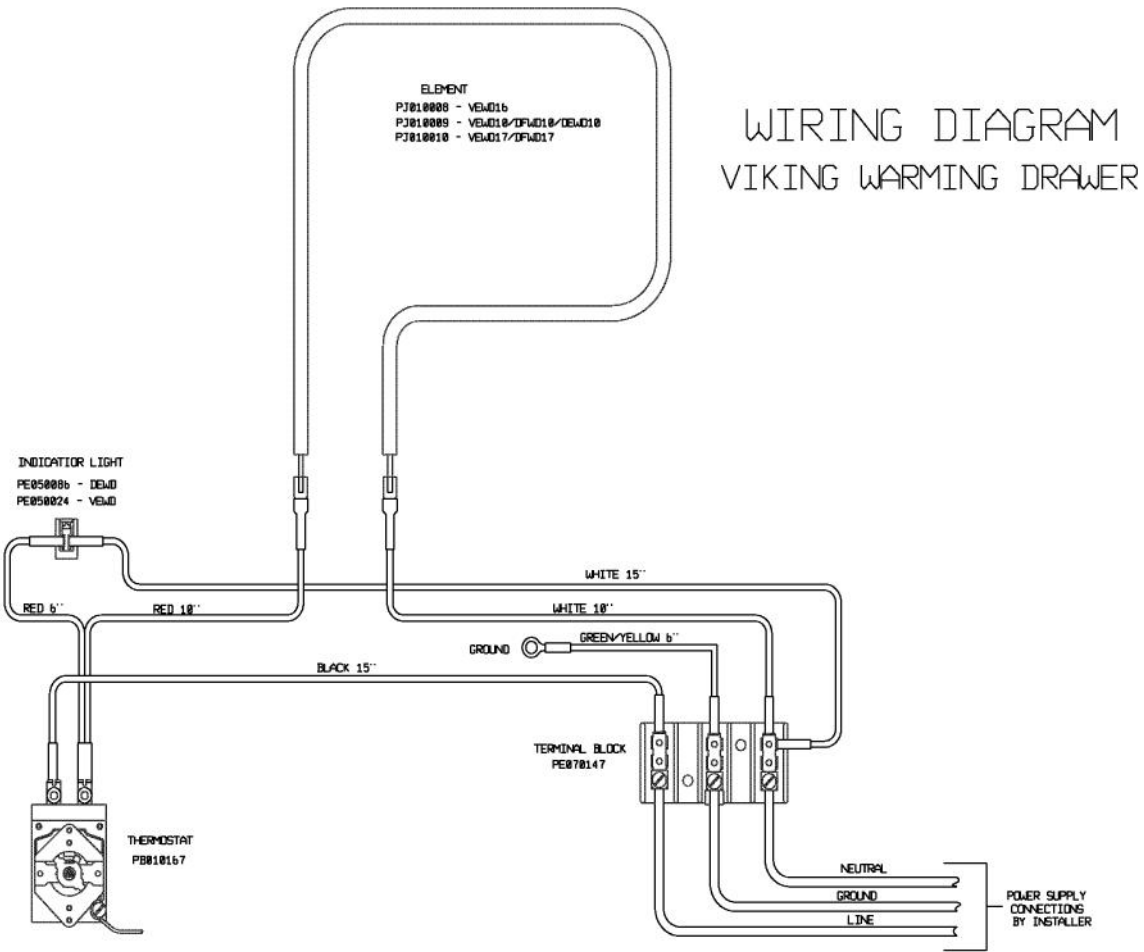
Ref #	Part Number	Qty.	Description
1	015044-000	1	LH OUTER SIDE PANEL (DEWD102)
2	PD020087	11	10 X 1/2 PAN PH. TEK ZINC
3	005489-000	1	30 OUTER TOP PANEL VEWD103
4	PD040005	1	SNAP BUSHING - 7/8
5	015045-000	1	RH OUTER SIDE PANEL (DEWD102)
6	A1004135	1	ACCESS PLATE (VEWD)
7	014023-000	2	LH/RH DESIGNER WD SIDE TRIM
8	015124-000	1	DESIGNER WD TOP TRIM
9	015128-000	1	DESIGNER WD BOTTOM TRIM



Ref #	Part Number	Qty.	Description
1	028001-000	1	ENDCAP, LH,D3
2	015049-000	1	30 O/S DOOR PANEL (DEWD) - SS
3	015047-000	1	DOOR INSIDE PANEL (DEWD/DFWD102)
4	003931-000	1	LIGHT BULB BRKT
5	015174-000	1	LENS, BLUE
6	028002-000	2	CAP, HANDLE, D3
7	028000-000	1	ENDCAP, RH, D3
8	027986-000	1	HANDLE, D3 30
9	027988-000	1	INSERT, D3 30 HANDLE
10	034788-000	1	NAMEPLATE, D3 LARGE W/PINS
NI	PD020043	2	NO.6-32 X .750 PH. CTRSK T(F)-VGSO166



Ref #	Part Number	Qty.	Description
1	017509-000	1	WIRING HARNESS, DEWD102



PF030330

Ref #	Part Number	Qty.	Description
-------	-------------	------	-------------
