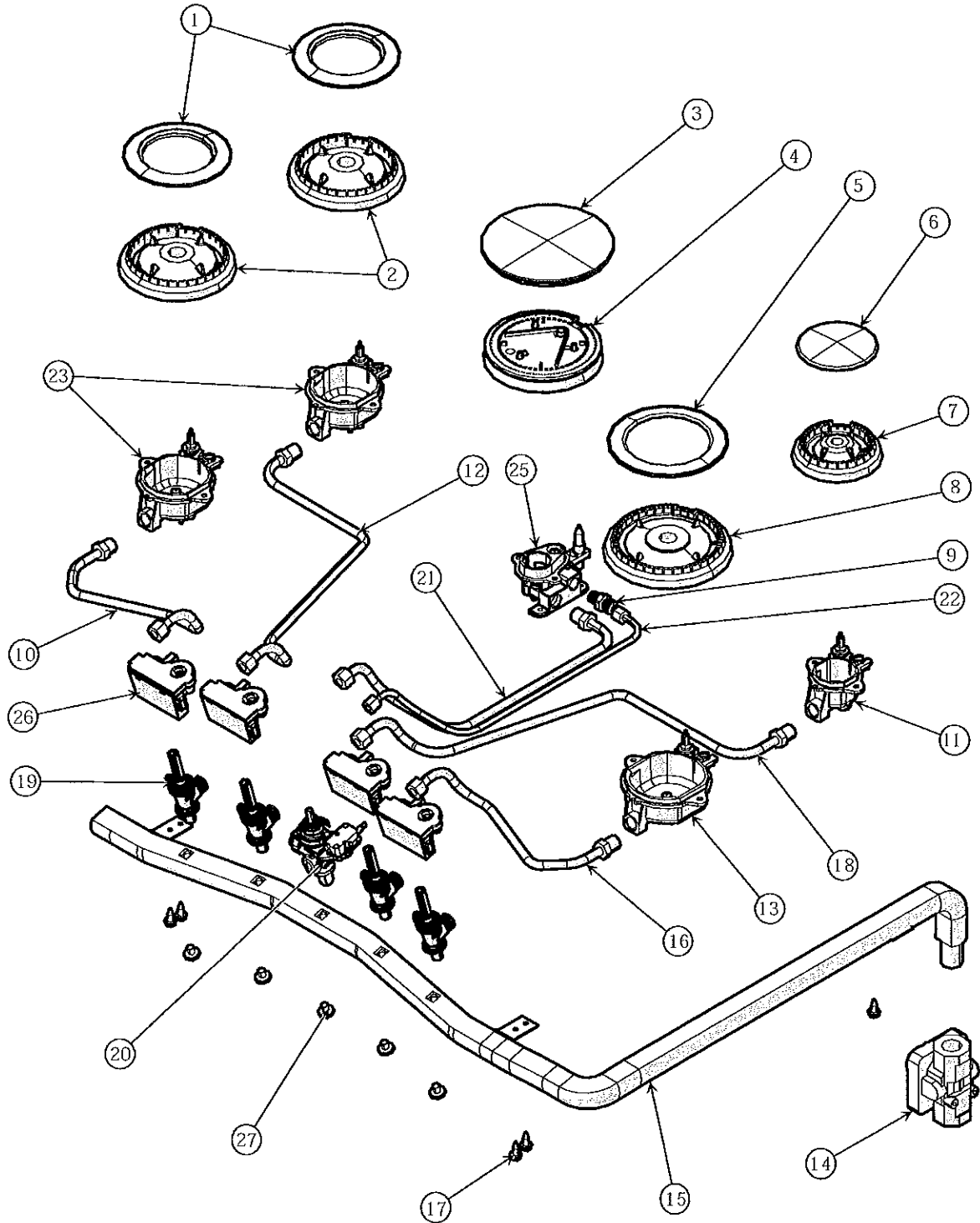
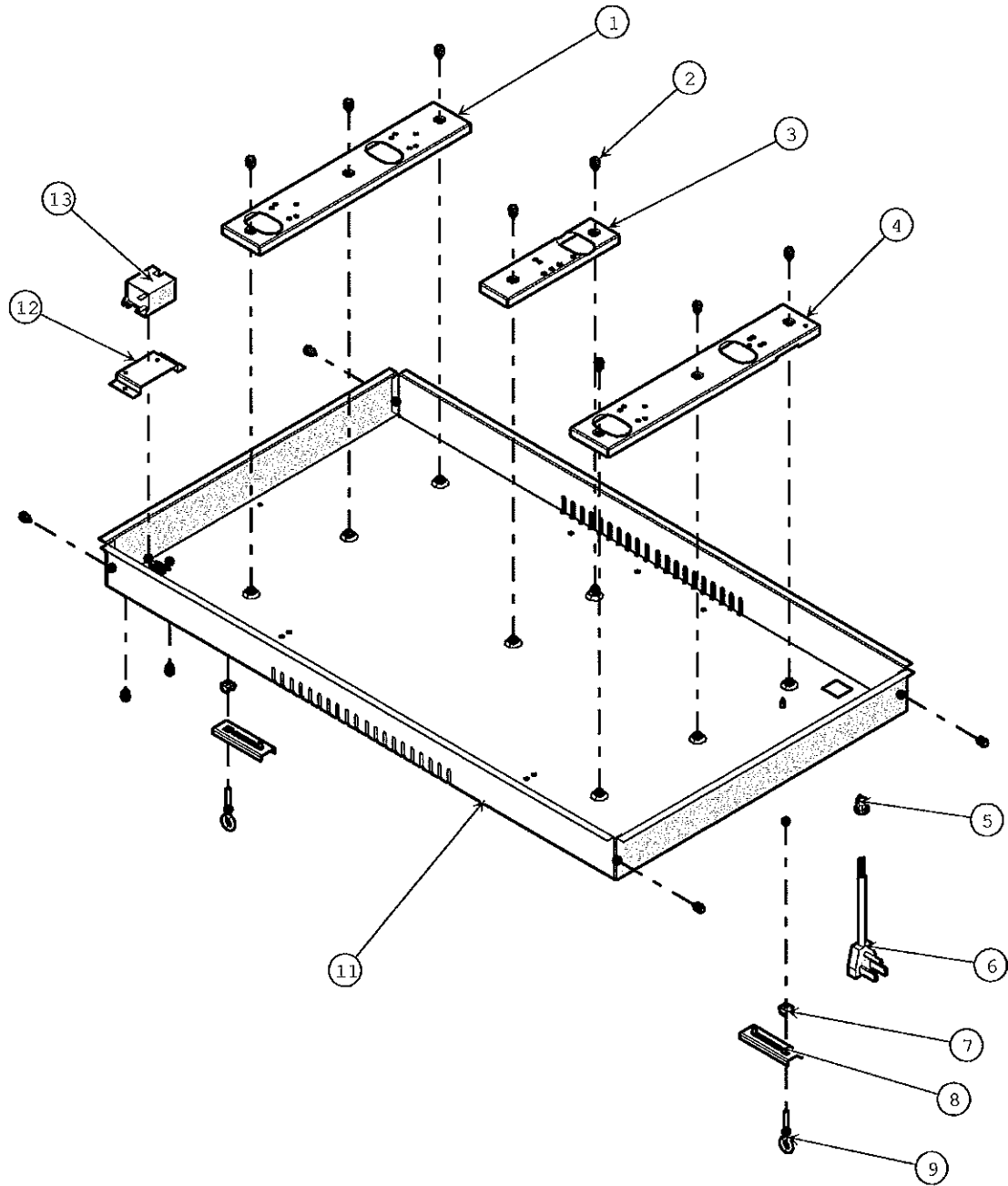


Ref #	Part Number	Qty.	Description
1	031875-000	1	36 LH GRATE ASM
2	031876-000	1	36 CENTER GRATE ASM
3	031878-000	1	36 RH GRATE ASM
4	031290-2365	1	36 D3 SEALED COOKTOP W/GRAPHICS
6	032341-000	1	DUAL KNOB, ASM, COOKTOP, BLADE, D3
7	PB070320	5	SILICONE EXTRUSION
8	032332-000	4	SNGL KNOB, ASM, COOKTOP, BLADE, D3



Ref #	Part Number	Qty.	Description
1	031413-000	2	BURNER CAP, 12000 BTU
2	031417-000	2	BURNER HEAD, 12000 BTU
3	031415-000	1	BURNER CAP, STACKED
4	031419-000	1	BURNER HEAD, STACKED
5	031412-000	1	BURNER CAP, 18000 BTU
6	031414-000	1	BURNER CAP, 8000 BTU
7	031418-000	1	BURNER HEAD, 8000 BTU
8	031416-000	1	BURNER HEAD, 18000 BTU
9	033202-000	1	STACK BURNER LOW ORIFICE ADAPTER
10	031628-000	1	36 COOKTOP LF BURNER TUBE
11	030974-000	1	BURNER BASE, 8000 BTU
12	031630-000	1	36 COOKTOP LR BURNER TUBE
13	031022-000	1	BURNER BASE, 18000 BTU
NI	036100-000	10	FASTNER, SCR, M4
14	023883-000	1	REGULATOR, PRSS, NAT, 5, DESIGNER
15	031576-000	1	D3 GAS COOKTOP MANIFOLD
16	031629-000	1	36 COOKTOP RF BURNER TUBE
17	003860-000	5	NO.10-18 X .500 FASTNR,SCR,HXWH,STL,ZPLT
18	031631-000	1	36 COOKTOP RR BURNER TUBE
19	032331-000	4	SINGLE GAS VALVE
20	032349-000	1	DUAL GAS VALVE
21	032521-000	1	CENTER HIGH BURNER TUBE
22	032541-000	1	CENTER LOW BURNER TUBE
23	030973-000	2	BURNER BASE, 12000 BTU
25	036410-000		17K STACK JETHOLDER W/0.53MM - 1.88MM INJECTORS
26	015112-000	4	MODULE, SPK IRIS COOKTOP
27	PD010012	5	VALVE BOLT 1/4-20 UNC-2B 5/16 M.S.
NI	036100-000	12	FASTNER, SCR, M4
NI	036410-000		17K STACK JETHOLDER W/0.53MM - 1.88MM INJECTORS



Ref #	Part Number	Qty.	Description
1	031580-000	1	LH BURNER SUPPORT DGSU, D3
2	003860-000	14	NO. 10-18 X .500 FASTNR,SCR,HXWH,STL,ZPLT
3	031583-000	1	CENTER BURNER SUPPORT DGSU, D3
4	031579-000	1	RH BURNER SUPPORT DGSU, D3
5	PE070069	1	STRAIGHT-THRU BUSHING
6	G4007440	1	SUPPLY CORD ASSY
7	PD030029	2	SELF RETAINING NUT (1/4-20)
8	A2003053	2	RET.BRKT VGUSU101 REPL PG210006
9	PD010027	2	EYE BOLT-VGSU101/161
11	031600-000	1	D3 36 COOKTOP BURNER BOX
12	031933-000	1	SNGL SPARK MODULE MOUNT
13	PA020037	1	SINGLE MODULE 120V
NI	031948-000	1	D3 VENT SHEILD

*No Image
Available*

Ref #	Part Number	Qty.	Description
NI	G4007440	1	SUPPLY CORD ASSY
NI	006766-000	2	IRIS IGNITOR WIRE, BACK BURNER
NI	000647-000	2	IRIS IGNITOR WIRE, FRONT BURNER
NI	040138-000	1	HARNESS, IRIS, 36
NI	034731-000	1	HARNESS, WIRE, STACK BURNER