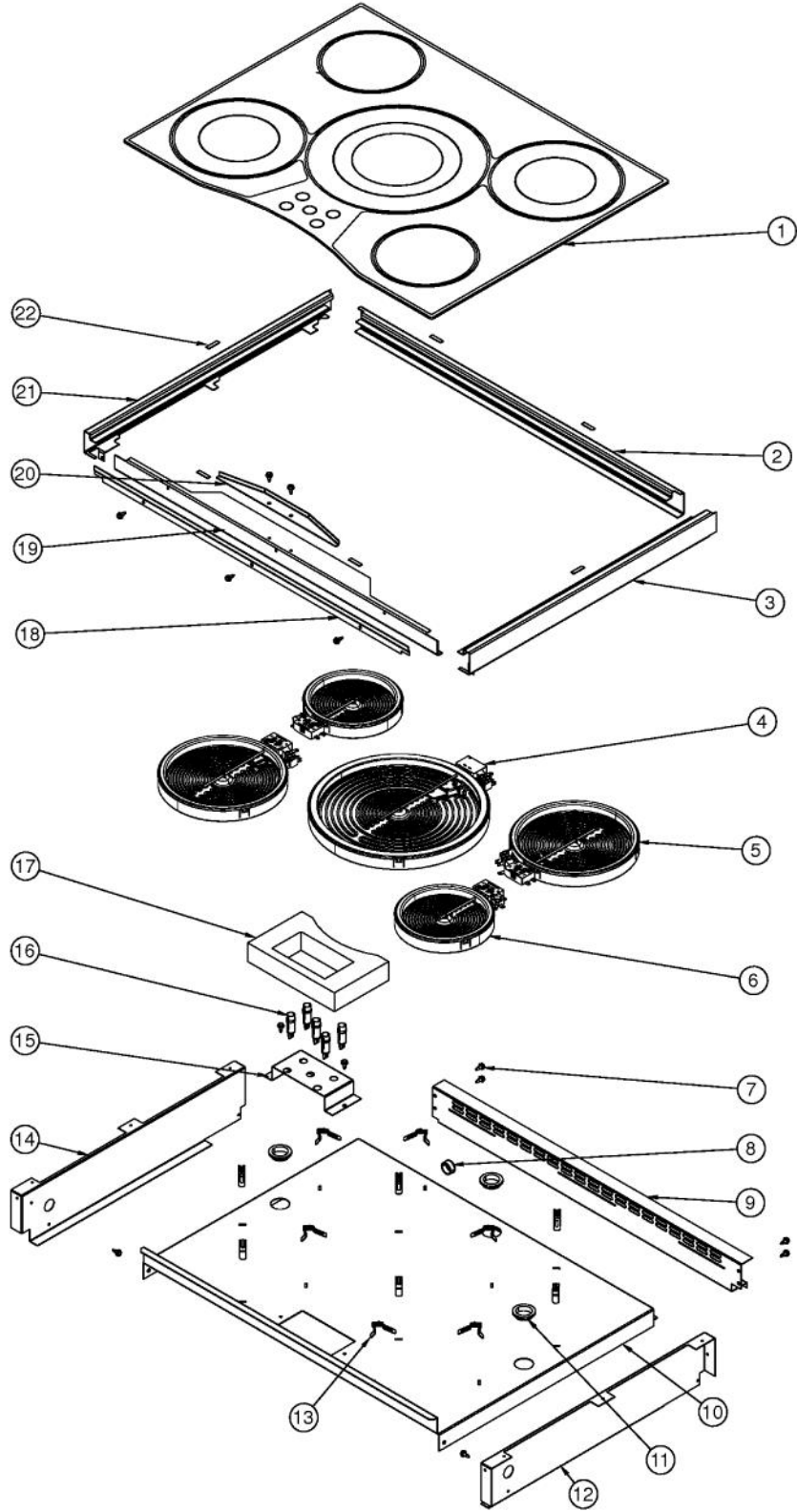
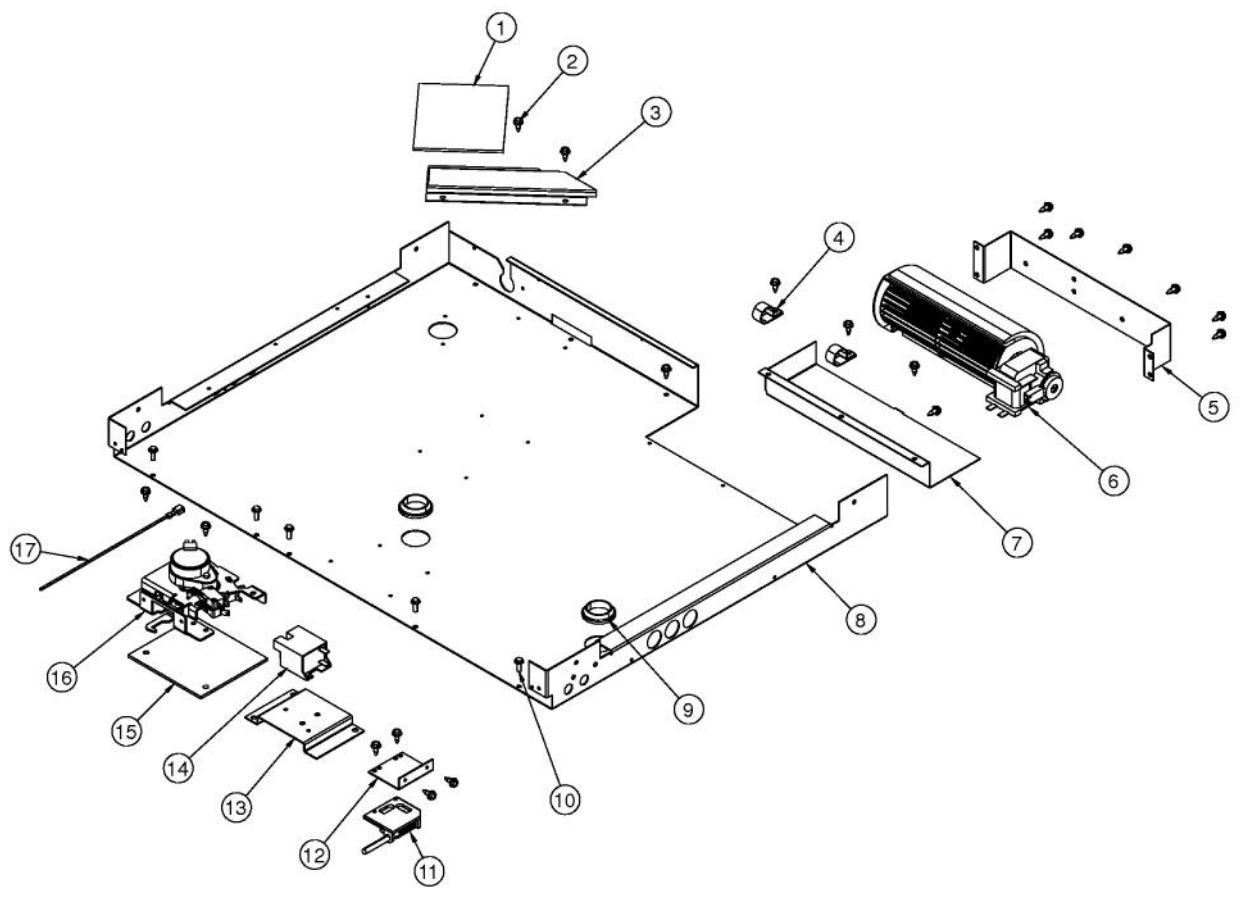


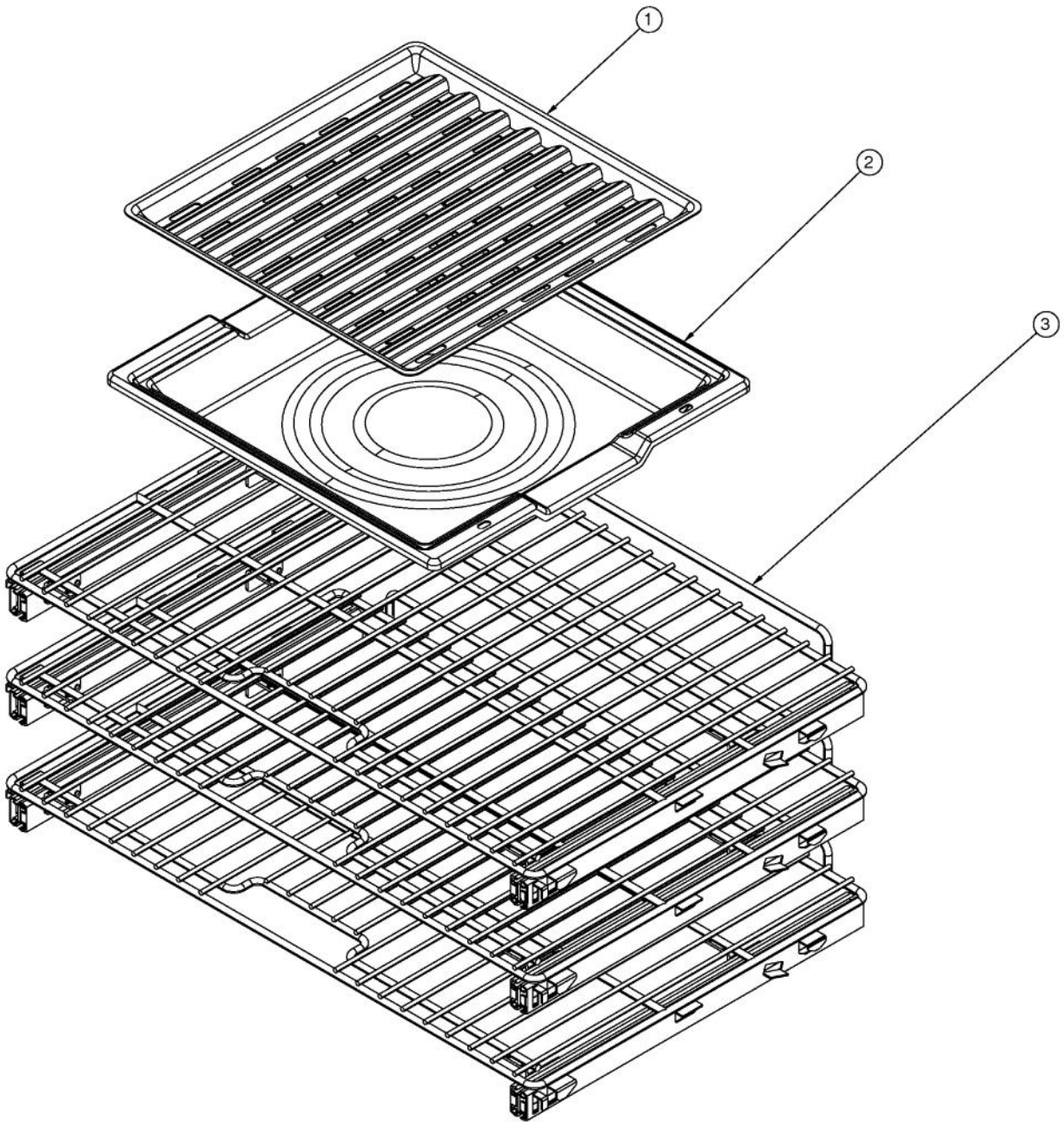
Ref #	Part Number	Qty.	Description
1	PD020261	14	NO.8-32X1/2 PH PANHEAD MACH. SCREW
2	PA010093	1	DESIGNER OVEN LT SWITCH KNOB
3	PD040004	2	GROMMET BUMPER
4	031462-000	1	BRACKET, LIGHT SWITCH
5	PD020048	2	NO.10 X 1/2 TEK 410 SS SCREW
6	020474-000	1	BRACKET, SW
7	PD020006	2	NO.6-32 X 1/4 PH.PAN HD. T(F)
8	G40015469	1	LIGHT SWITCH ASSEMBLY
9	031728-000	2	SINGLE INFINITE SWITCH
10	031733-000	2	DUAL INFINITE SWITCH
11	031734-000	1	TRIPLE INFINITE SWITCH
12	021319-000	1	HARNESS, ADPT, LED, 125V TO 2V
13	PJ030033	1	SELECTOR (10 POS)
14	PJ030035	1	THERMOSTAT
15	031799-2388	1	CONTROL PANEL, RDSCE W/GRAPHICS
16	015043-000	3	INDICATOR, LIGHT, BLUE LED
17	031469-000	7	BEZEL, KNOB, RANGE, BLADE, D3
18	031809-000	2	KNOB, SNGL INFINITE, D3
19	031810-000	2	KNOB, DBL INFINITE, D3
20	031502-000	1	KNOB, THERMOSTAT, D3
21	031550-000	1	KNOB, SELECTOR, D3
22	031811-000	1	KNOB, TRPL INFINITE, D3



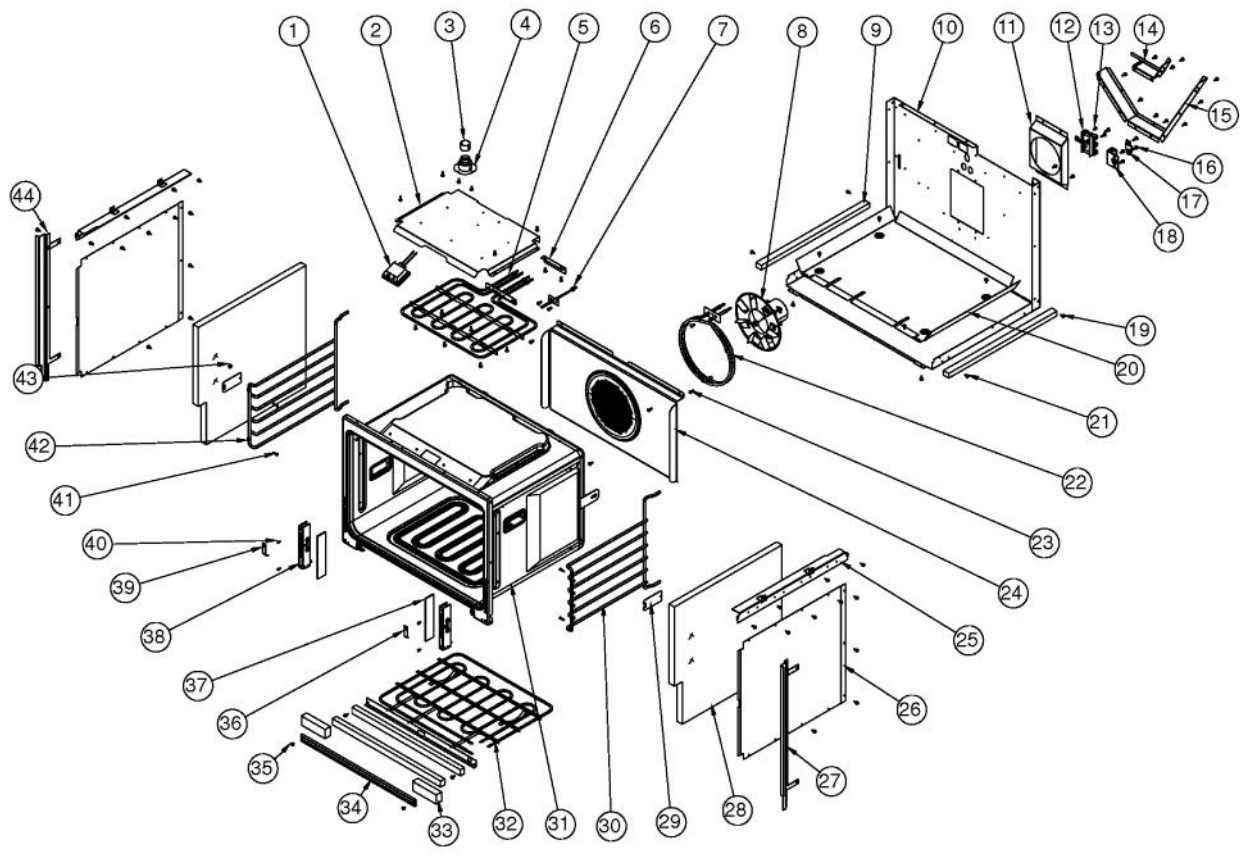
Ref #	Part Number	Qty.	Description
1	031773-000	1	TOP FRAME ASM W/GRAPHICS, RDSCE230
2	017543-000	1	FRAME, COOKTOP, BACK
3	017542-000	1	FRAME, COOKTOP, RIGHT
4	031373-000	1	TRIPLE 3200W (1100/1000/1100) ELEMENT
5	031376-000	2	DOUBLE 2000W (1000/1000) ELEMENT
6	031377-000	2	EGO SINGLE 1200W
7	003860-000	13	NO.10-18 X .500 FASTNR,SCR,HXWH,STL,ZPLT
8	PD040005	1	SNAP BUSHING - 7/8
9	033538-000	1	SUPPORT, REAR, RDSCE
10	031179-000	1	TRAY, MTG, 5-BURNER
11	PB070079	3	SILICONE EXTRUSION (DGSU)
12	033521-000	1	BURNER BOX, SIDE, RH, RDSCE
13	026923-000	12	CLIP, SPRING, ELECTRIC ELEMENT
14	033534-000	1	BURNER BOX, SIDE, LH, RDSCE
15	031837-000	1	BRACKET, D3 LIGHT
16	PE050113	5	DECU INDICATOR LIGHT (SP-2185-BDPS)
17	032970-000	1	INSULATION, INDICATOR LIGHT
18	017541-000	1	BRACKET, SUPPORT, FRONT
19	017545-000	1	FRAME, COOKTOP, FRONT
20	A20014923	1	CONTROL PANEL SPACER
21	017544-000	1	FRAME, COOKTOP, LEFT



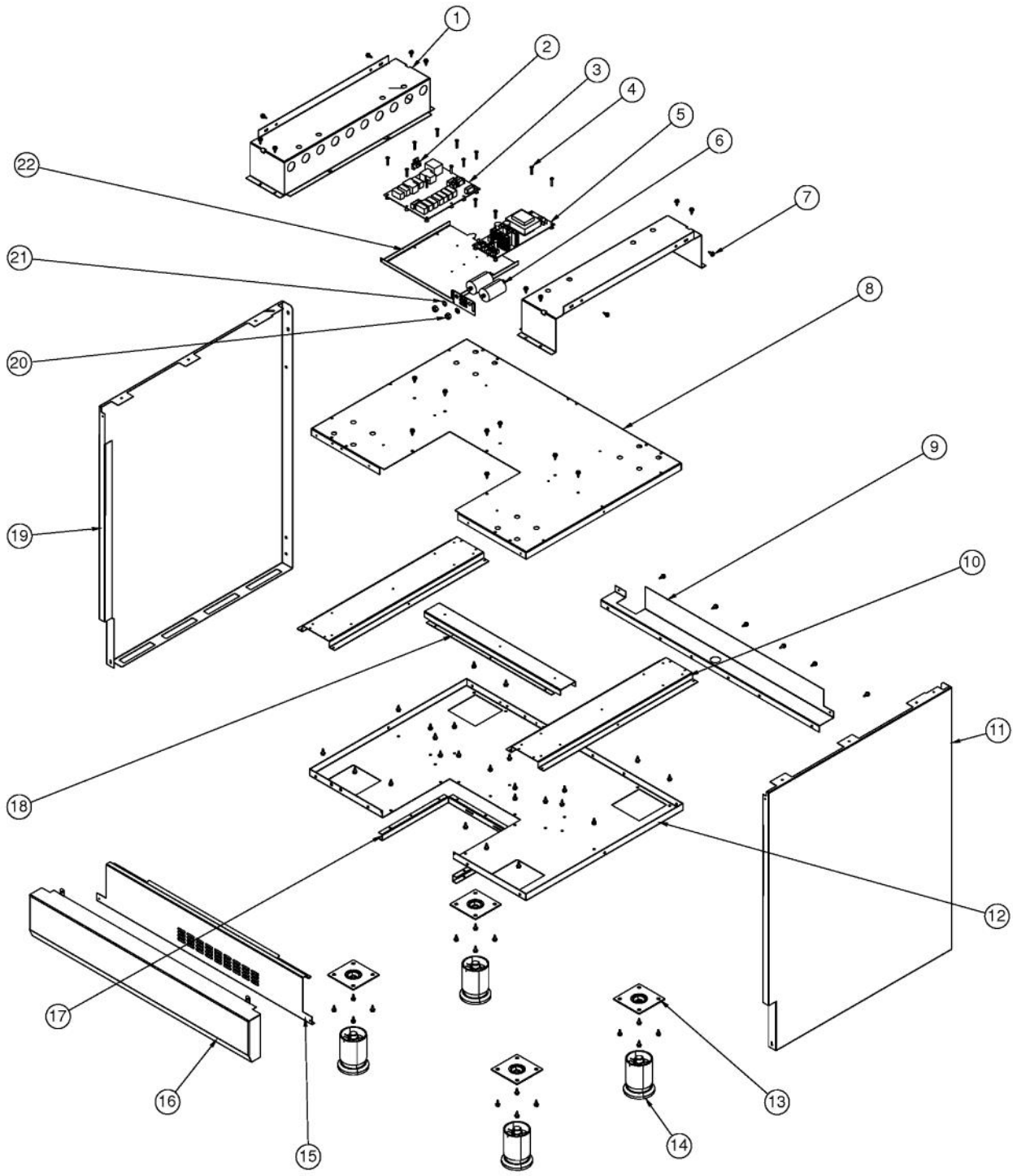
Ref #	Part Number	Qty.	Description
1	004285-000	1	INSULATION, FOIL-BACKED,4X5
2	003860-000	20	NO.10-18 X .500 FASTNR,SCR,HXWH,STL,ZPLT
3	003333-000	1	DUCT, FLUE
4	PD030109	2	INSULATED CLAMP
5	004110-000	1	MOUNT,BLOWER
6	PE050250	1	PREMIUM BLOWER WITH HES BEFORE 6/14/13
6	018607-000	1	FAN,BLO, 220-240V 50/60HZ ASSY AFTER 6/14/13
7	A2009659	1	BRACKET, FILLER, BLOWER
8	015615-000	1	BRACE, RNG, AIR CHANNEL
9	PB070079	2	SILICONE EXTRUSION (DGSU)
10	PD020048	5	NO.10 X 1/2 TEK 410 SS SCREW
11	PE050208	1	DOOR SWITCH
12	A20012649	1	DOOR SWITCH BRACKET
13	021821-000	1	BASEPAN
15	013564-000	1	LOWER LATCH INSULATION
16	013250-000	1	LATCH,DOOR,ASM,240V,GRIDDLE LOCKOUT
17	G4000936	1	GROUND WIRE



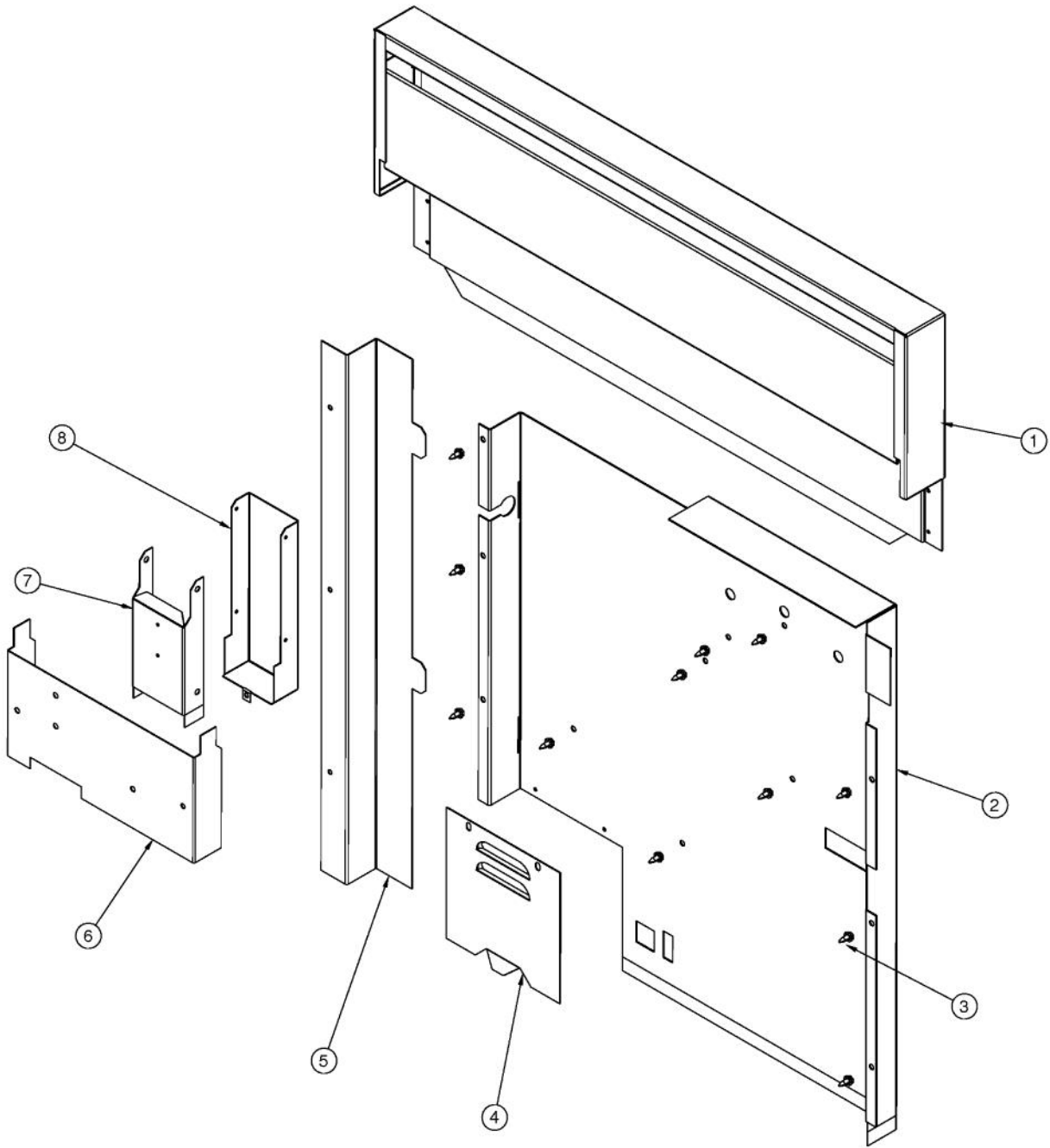
Ref #	Part Number	Qty.	Description
1	014924-402	1	INSERT, BROILER, BLACK PORCELAIN
2	014923-402	1	PAN, BROILER, BLACK PORCELAIN
3	029891-000	3	D3 GLIDE RACK, 30



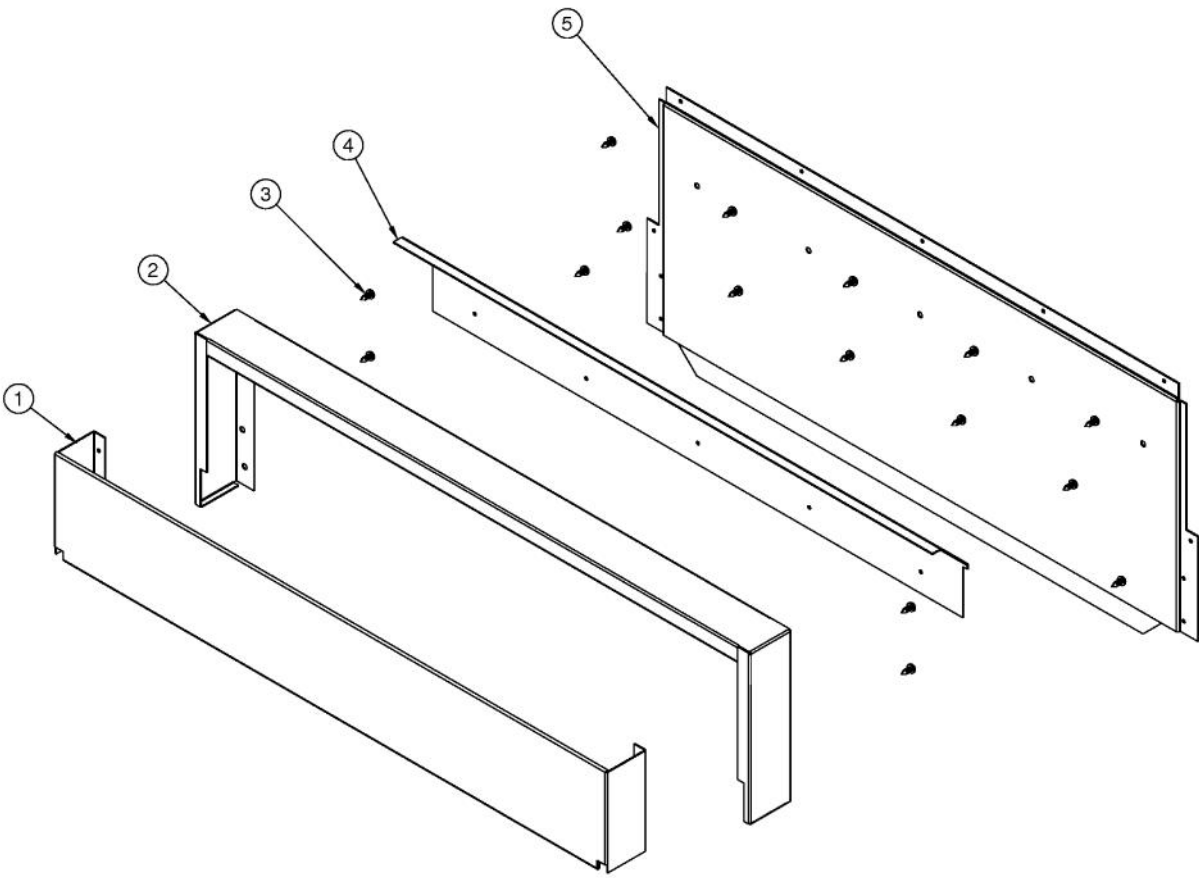
Ref #	Part Number	Qty.	Description
1	020403-000	1	BJB SLIMLINE 40W BULB
2	A20014021	1	REFLECTOR, BROIL
3	PB020275	1	VENT TUBE
4	PM010014	1	SMOKE ELIMINATOR (VDSC)
5	PJ010049	1	BROIL ELEMENT
6	A20014044	1	BROIL ELEMENT SHIELD
7	PE050206	1	RTD THERMOSTAT PROBE
8	015394-000	1	FAN, CNVN, ASM
9	013547-000	4	BAKE ELEMENT INSULATION
10	003244-000	1	OVEN BOTTOM, BACK WRAP
11	A2009697	1	BRACKET, CONVECTION INSULATION
12	PE070147	1	TERMINAL BLOCK
13	PD020010	1	10 X 3/8 GREEN GROUNDING SCREW
14	003356-000	1	DIVERTER, AIR
15	002941-000	1	BAFFLE, FAN, REAR
16	PD020014	4	10X3/4 PH TR HD SMS
17	A1002457	1	POWER CORD MOUNTING STRAP (VDSC)
18	A2002195	1	POWER CORD MOUNTING BRKT (VDSC)
19	003860-000	45	NO.10-18 X .500 FASTNR,SCR,HXWH,STL,ZPLT
20	NON-SERVICEABLE	1	TUB WELDMENT
21	003801-000	2	SHOULDER SCREW, NO.10
22	PJ010047	1	CONVECTION ELEMENT
23	PD020048	25	NO.10 X 1/2 TEK 410 SS SCREW
24	NON-SERVICEABLE	1	TUB WELDMENT
25	NON-SERVICEABLE	2	TUB WELDMENT
26	014137-000	2	WRAPPER, OVEN SIDE
27	019185-000	1	TRIM, FR, RH, DSCD
28	013528-000	2	30 SIDE INSULATION
29	032858-402	2	COVER, LT, BK PORCELAIN
30	032855-000	1	SUPPORT, RACK ASM, RH BLACK
31	NON-SERVICEABLE	1	TUB WELDMENT
32	PJ010048	1	BAKE ELEMENT
33	005255-000	2	HINGE INSULATION
34	032861-000	1	COVER, BAKE TRAY, BK PORC
35	PD020063	2	SCREW-NO.8(A) X 3/8PH WFR HD/BK OXID
36	B21010915	1	HINGE CLIP ? RH
37	013572-000	2	HINGE INSULATION
38	031679-000	1	RECEPTACLE, HINGE
39	B21010916	1	HINGE CLIP ? LH
40	PD020062	4	NO.8-32 X 3/8 PHMS TYPE 1
41	PD020232	4	NO.8 X 3/4 PH PAN HEAD TEK SCREW (BLACK OXIDE)
42	036220-402	1	RACK,PRO,ASM,LH, BLACK
43	032859-000	1	PLUG, HOLE BK PORCELAIN
44	019186-000	1	TRIM, FR, LH, DSCD



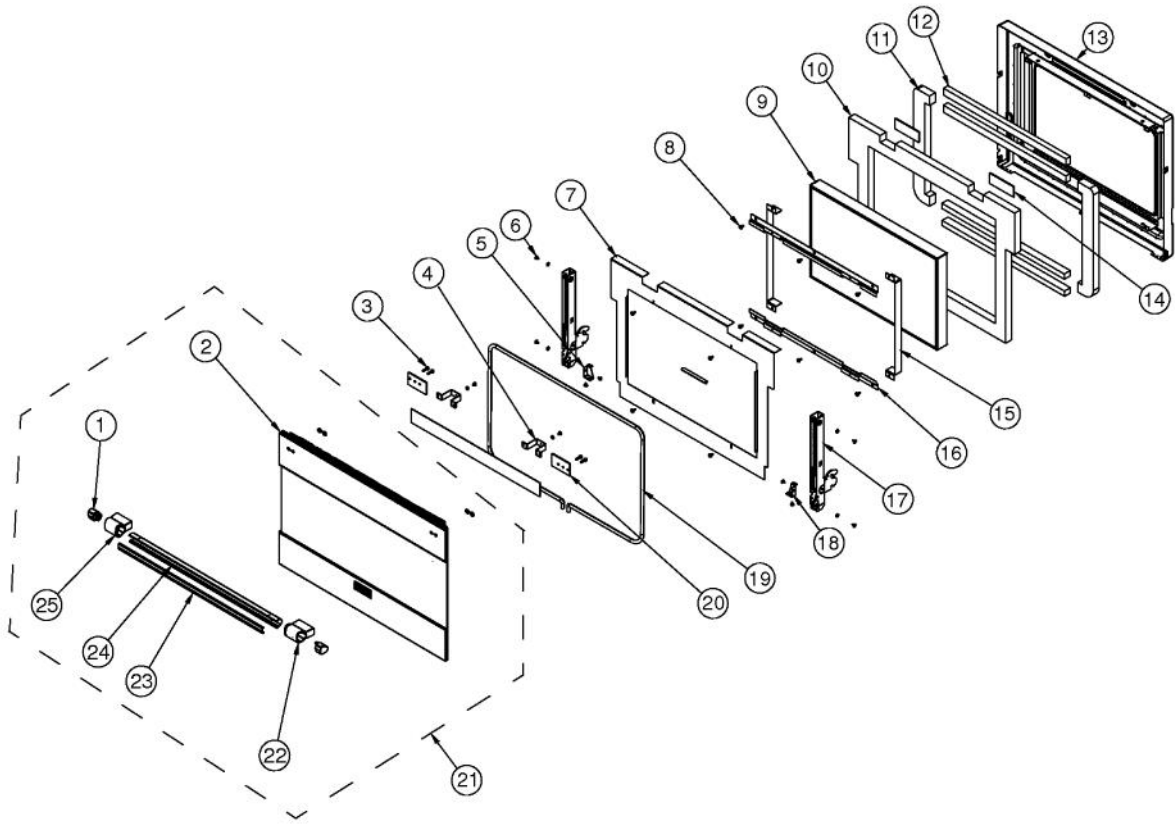
Ref #	Part Number	Qty.	Description
1	014241-000	2	SUPPORT, OVEN
2	023002-000	1	CTRL, ASM, SINGLE OVEN LPS
3	014000-000	1	EOC4-CONTROL BOARD
4	PD020043	13	NO.6-32 X .750 PH. CTRSK T(F)-VGSO166
5	021340-000	1	LINEAR POWER SUPPLY, SINGLE
6	PE050247	2	EBM FAN MOTOR CAPACITOR
7	003860-000	66	NO.10-18 X .500 FASTNR,SCR,HXWH,STL,ZPLT
8	003052-000	1	BASE TOP PLATE
9	014240-000	1	LEDGE, BACK
10	NON-SERVICEABLE	2	TUB WELDMENT
11	032813-000	1	PANEL, SIDE, RH, D3, SS
12	003051-000	1	BASE LOWER PLATE
13	PC030007	4	LEG PLATE - 3/4 THREADED HOLE
14	PC030031	4	ADJUSTABLE LEG
15	014246-000	1	GRILL, LOWER
16	019262-000	1	KICKPLATE, 30 DSCD/DSCE DESIGNER SS
16	038550-002	1	KICKPLATE DESIGNER, 30 BK
16	038550-006	1	KICKPLATE DESIGNER 30 - WH
16	038550-003	1	KICKPLATE DESIGNER, 30 BT
16	038550-004	1	KICKPLATE DESIGNER, 30 SG
16	038550-005	1	KICKPLATE DESIGNER, 30 GG
16	038550-008	1	KICKPLATE DESIGNER, 30 BU
16	038550-009	1	KICKPLATE DESIGNER, 30 LE
16	038550-010	1	KICKPLATE DESIGNER, 30 MJ
16	038550-012	1	KICKPLATE DESIGNER, 30 VB
16	038550-013	1	KICKPLATE DESIGNER, 30 CB
16	038550-015	1	KICKPLATE DESIGNER, 30 PL
16	038550-016	1	KICKPLATE DESIGNER, 30 CH
16	038550-017	1	KICKPLATE DESIGNER, 30 TP
16	038550-018	1	KICKPLATE DESIGNER, 30 CW
16	038550-021	1	KICKPLATE DESIGNER, 30 SA
16	038550-022	1	KICKPLATE DESIGNER, 30 SE
16	038550-023	1	KICKPLATE DESIGNER, 30 IB
16	038550-024	1	KICKPLATE DESIGNER, 30 AR
16	038550-025	1	KICKPLATE DESIGNER, 30 RR
16	038550-051	1	KICKPLATE DESIGNER, 30 CN
16	038550-052	1	KICKPLATE DESIGNER, 30 DJ
16	038550-054	1	KICKPLATE DESIGNER, 30 WS
17	NON-SERVICEABLE	2	TUB WELDMENT
18	NON-SERVICEABLE	1	TUB WELDMENT
19	032816-000	1	PANEL, SIDE, LH, D3, SS
20	PD030172	2	M8 X 1.25MM NUT
21	PD040164	2	5/16 INTERNAL TOOTH LOCK WASHER TYPE A
22	023825-000	1	TRAY, CNTRL, EOC4 SMPS



Ref #	Part Number	Qty.	Description
1	033330-000	1	30 D3 BACKGUARD, ASM
2	003272-000	1	COVER, REAR
3	003860-000	12	NO.10-18 X .500 FASTNR,SCR,HXWH,STL,ZPLT
4	A2002454	1	BACK COVER ACCESS DOOR
5	015607-000	1	CHANNEL, WIRE, DSCD
6	14553-000	1	DUCT, AIR
7	014554-000	1	BOX, FLUE, FRONT
8	A20010101	1	FLUE, OUTSIDE SHELL



Ref #	Part Number	Qty.	Description
1	033332-000	1	30 D3 BACKGUARD, FRONT
2	033331-000	1	30 D3 BACKGUARD, FRAME
3	PD020055	16	NO.10 X 1/2 PAN PHIL. TEK. SS
4	033334-000	1	BACKGUARD DEFLECTOR
5	033333-000	1	30 D3 BACKGUARD, BACK



Ref #	Part Number	Qty.	Description
1	028002-000	2	CAP, HANDLE, D3
2	039287-000	1	SKIN ASM, DOOR, W/LOGO, SS
2	039286-002	1	SKIN ASM, DOOR, W/LOGO, BK
2	039286-003	1	SKIN ASM, DOOR, W/LOGO, BT
2	039286-004	1	SKIN ASM, DOOR, W/LOGO, SG
2	039286-005	1	SKIN ASM, DOOR, W/LOGO, GG
2	039286-006	1	SKIN ASM, DOOR, W/LOGO, WH
2	039286-008	1	SKIN ASM, DOOR, W/LOGO, BU
2	039286-009	1	SKIN ASM, DOOR, W/LOGO, LE
2	039286-010	1	SKIN ASM, DOOR, W/LOGO, MJ
2	039286-012	1	SKIN ASM, DOOR, W/LOGO, VB
2	039286-013	1	SKIN ASM, DOOR, W/LOGO, CB
2	039286-015	1	SKIN ASM, DOOR, W/LOGO, PL
2	039286-016	1	SKIN ASM, DOOR, W/LOGO, CH
2	039286-017	1	SKIN ASM, DOOR, W/LOGO, TP
2	039286-018	1	SKIN ASM, DOOR, W/LOGO, TP
2	039286-021	1	SKIN ASM, DOOR, W/LOGO, SA
2	039286-022	1	SKIN ASM, DOOR, W/LOGO, SE
2	039286-023	1	SKIN ASM, DOOR, W/LOGO, IB
2	039286-024	1	SKIN ASM, DOOR, W/LOGO, AR
2	039286-025	1	SKIN ASM, DOOR, W/LOGO, RR
2	039286-051	1	SKIN ASM, DOOR, W/LOGO, CN
2	039286-052	1	SKIN ASM, DOOR, W/LOGO, DJ
2	039286-053	1	SKIN ASM, DOOR, W/LOGO, KB
2	039286-054	1	SKIN ASM, DOOR, W/LOGO, WS
3	PD020063	10	SCREW-NO.8(A) X 3/8PH WFR HD/BK OXID
4	015310-000	2	HANDLE BRACKET SPACER
5	006808-000	1	HINGE, BRKT, LH
6	PD020002	10	10 X 1/2 PH.TR.HD.SMS.
7	004152-000	1	DOOR LINER INSULATION RETAINER, 30
8	PD020032	5	SRW-8(A)X3/8PH.WFR HD 7/16DIAXNICL
9	PE060094	1	30 WINDOW PACK
10	017752-000	1	INSULATION, DOOR LINER
11	013558-000	2	SIDE DOOR PLUG INSULATION
12	013547-000	4	BAKE ELEMENT INSULATION
13	032850-000	1	LINER, DOOR ASM, BK PORC
14	013567-000	2	DOOR BRACKET INSULATION
15	023044-000	2	STRAP, WDO
16	004153-000	2	DOOR GLASS HOLDER BRACKET
17	002740-000	2	MANSFIELD HINGE, BLUE SPRING
18	006807-000	1	HINGE, BRKT, RH
19	PB070246	1	30 DOOR GASKET
20	008971-000	2	SPACER, DOOR, HANDLE
21	030983-000	1	OUTER DOOR ASM, D3 RANGE 30
21	035278-002	1	OUTER DOOR PANEL ASM, 30 D3, BK
21	035278-003	1	OUTER DOOR PANEL ASM, 30 D3, BT
21	035278-004	1	OUTER DOOR PANEL ASM, 30 D3, SG
21	035278-005	1	OUTER DOOR PANEL ASM, 30 D3, GG
21	035278-006	1	OUTER DOOR PANEL ASM, 30 D3, WH
21	035278-008	1	OUTER DOOR PANEL ASM, 30 D3, BU
21	035278-009	1	OUTER DOOR PANEL ASM, 30 D3, LE
21	035278-010	1	OUTER DOOR PANEL ASM, 30 D3, MJ
21	035278-012	1	OUTER DOOR PANEL ASM, 30 D3, VB
21	035278-013	1	OUTER DOOR PANEL ASM, 30 D3, CB
21	035278-015	1	OUTER DOOR PANEL ASM, 30 D3, PL
21	035278-016	1	OUTER DOOR PANEL ASM, 30 D3, CH
21	035278-017	1	OUTER DOOR PANEL ASM, 30 D3, TP
21	035278-018	1	OUTER DOOR PANEL ASM, 30 D3, TP
21	035278-021	1	OUTER DOOR PANEL ASM, 30 D3, SA
21	035278-022	1	OUTER DOOR PANEL ASM, 30 D3, SE

Ref #	Part Number	Qty.	Description
21	035278-022	1	OUTER DOOR PANEL ASM, 30 D3, SE
21	035278-023	1	OUTER DOOR PANEL ASM, 30 D3, IB
21	035278-024	1	OUTER DOOR PANEL ASM, 30 D3, AR
21	035278-025	1	OUTER DOOR PANEL ASM, 30 D3, RR
21	035278-051	1	OUTER DOOR PANEL ASM, 30 D3, CN
21	035278-052	1	OUTER DOOR PANEL ASM, 30 D3, DJ
21	035278-053	1	OUTER DOOR PANEL ASM, 30 D3, KB
21	035278-054	1	OUTER DOOR PANEL ASM, 30 D3, WS
22	028000-000	1	ENDCAP, RH, D3
23	027988-000	1	INSERT, D3 30 HANDLE
24	027986-000	1	HANDLE, D3 30
25	028001-000	1	ENDCAP, LH, D3
NI	031162-000	1	DOOR ASM, D3 ELEC RANGE 30, SS
NI	035279-002	1	DOOR ASM, 30 D3 ELEC OVEN, BK
NI	035279-003	1	DOOR ASM, 30 D3 ELEC OVEN, BT
NI	035279-004	1	DOOR ASM, 30 D3 ELEC OVEN, SG
NI	035279-005	1	DOOR ASM, 30 D3 ELEC OVEN, GG
NI	035279-006	1	DOOR ASM, 30 D3 ELEC OVEN, WH
NI	035279-008	1	DOOR ASM, 30 D3 ELEC OVEN, BU
NI	035279-009	1	DOOR ASM, 30 D3 ELEC OVEN, LE
NI	035279-010	1	DOOR ASM, 30 D3 ELEC OVEN, MJ
NI	035279-012	1	DOOR ASM, 30 D3 ELEC OVEN, VB
NI	035279-013	1	DOOR ASM, 30 D3 ELEC OVEN, CB
NI	035279-015	1	DOOR ASM, 30 D3 ELEC OVEN, PL
NI	035279-016	1	DOOR ASM, 30 D3 ELEC OVEN, CH
NI	035279-017	1	DOOR ASM, 30 D3 ELEC OVEN, TP
NI	035279-018	1	DOOR ASM, 30 D3 ELEC OVEN, CW
NI	035279-021	1	DOOR ASM, 30 D3 ELEC OVEN, SA
NI	035279-022	1	DOOR ASM, 30 D3 ELEC OVEN, SE
NI	035279-023	1	DOOR ASM, 30 D3 ELEC OVEN, IB
NI	035279-024	1	DOOR ASM, 30 D3 ELEC OVEN, AR
NI	035279-025	1	DOOR ASM, 30 D3 ELEC OVEN, RR
NI	035279-051	1	DOOR ASM, 30 D3 ELEC OVEN, CN
NI	035279-052	1	DOOR ASM, 30 D3 ELEC OVEN, DJ
NI	035279-053	1	DOOR ASM, 30 D3 ELEC OVEN, KB
NI	035279-054	1	DOOR ASM, 30 D3 ELEC OVEN, WS

*No Image
Available*

Ref #	Part Number	Qty.	Description
NI	032965-000	1	D3 ISLAND TRIM ASM