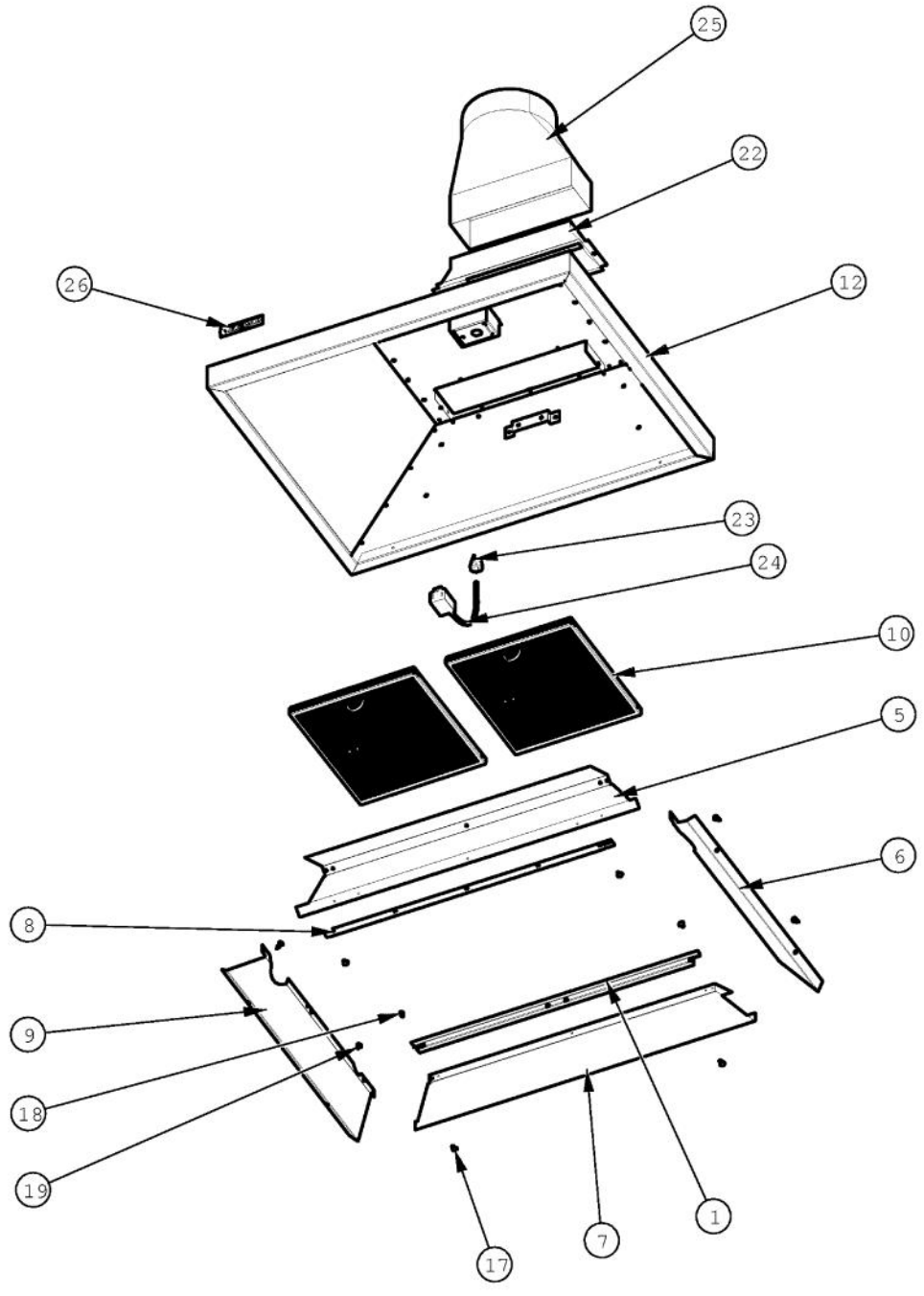
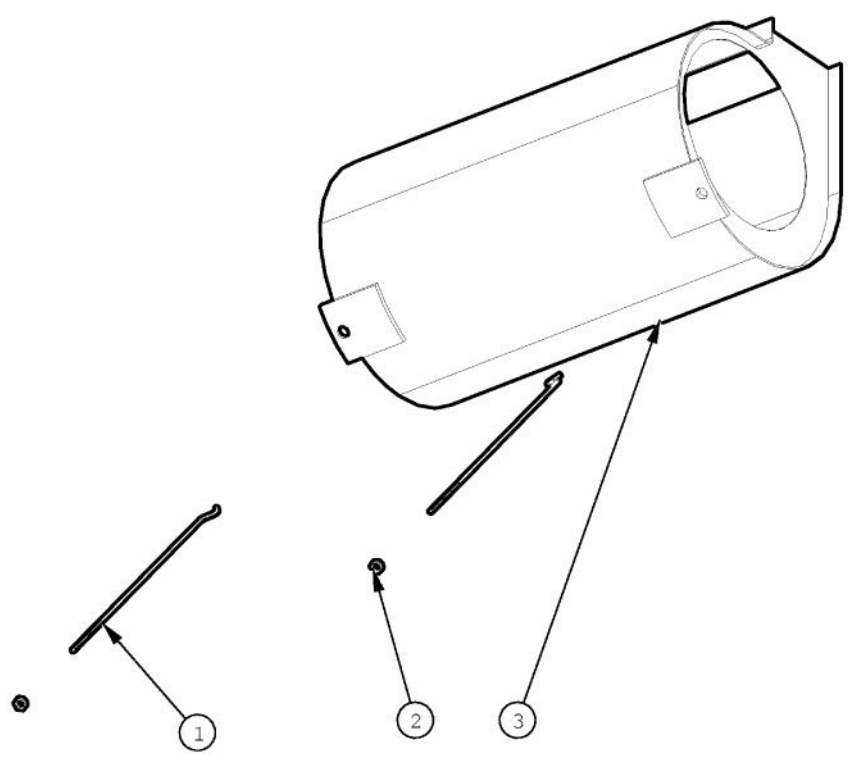


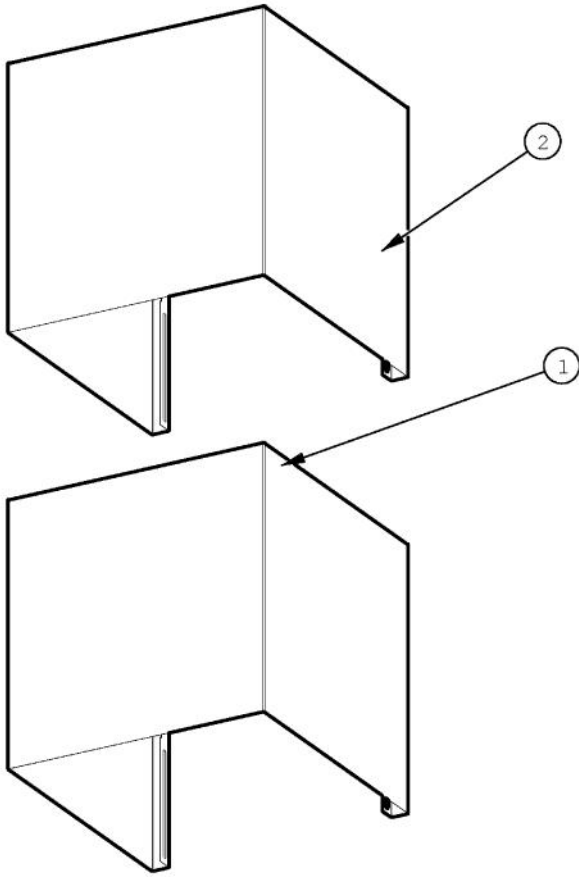
Ref #	Part Number	Qty.	Description
1	B20010270	1	LT/FAN SWITCH BRKT (DCH30/36)
2	A2103810	1	THERMODISC BRACKET
3	B20010259	1	CONTROL PANEL (DCH3042)
4	PE050168	2	DCH FAN/LIGHT SWITCH (DCH30/36)
5	PE050170	1	LIGHT CONTROL (VIH54/66 DCH30/36 VCIH54/66)
6	PA010089	2	KNOB (DESIGNER SERIES HOOD)
7	PA010093	2	DESIGNER OVEN LT SWITCH KNOB
8	PC040010	4	POP RIVET
9	PD020087	18	10 X 1/2 PAN PH. TEK ZINC
10	PD030059	4	TINNERMAN CLIP
11	PE040232	1	CONTROL PANEL W/ GRAPHICS (DCH30/36)
12	PE050169	1	BLOWER CONTROL (DCH30/36)
15	PE050064	2	LIGHT ASSEMBLY
16	PE070197	1	MALE SOCKET (3 PRONG)
18	PE070542	1	3-PRONG MALE CORD W/AMP CON
19	PJ030014	1	HEAT SENSOR (N.O.) 160 DEG.



Ref #	Part Number	Qty.	Description
1	016349-000	1	30 REAR FILTER SUPPORT
1	042596-000	1	30 RDWHC FILTER SUPPORT KIT (UNITS MANUFACTURED PRIOR TO 3/18/2013)
5	B2004695	1	30 FRONT I/S PANEL
6	B2007323	1	I/S SIDE PANEL - RH
7	B2004691	1	30 I/S REAR PANEL
8	B2004693	1	30 FILTER SUPT. FRONT/REAR
9	B2007324	1	I/S SIDE PANEL - LH
10	G31010266	2	30/42 FILTER ASSEMBLY 11.75 X 10.375
12	G3009375SS	1	30 CANOPY ASSEMBLY (DCH3042)
18	PD020032	4	SRW-8(A)X3/8PH.WFR HD 7/16DIA XNCL
19	PD020087	8	10 X 1/2 PAN PH. TEK ZINC
22	PE050043	1	DAMPER/TRANSITION 460 CFM 97006078
23	PE070204	1	HEYCO STRAIN RELIEF - 7-P2
24	PE070205	1	3 PRONG FEMALE SUPPLY CORD
25	PM010045	1	3 1/4 X 10 RECT. TO 7 DIA(TRANS)
26	034786-000	1	NAMEPLATE, DSNR D3, SMALL



Ref #	Part Number	Qty.	Description
1	PD010035	2	BLOWER MTG ROD NO.10-24 99420464
2	PD030010	2	NO.10-24 KEPS NUT
3	PE050042	1	BLOWER INT 460 CFM 97007542



Ref #	Part Number	Qty.	Description
1	G31011011SS	1	DUCT COVER BOTTOM ASSY (DCC16)
2	G31011009SS	1	DUCT COVER TOP ASSY (DCC16)