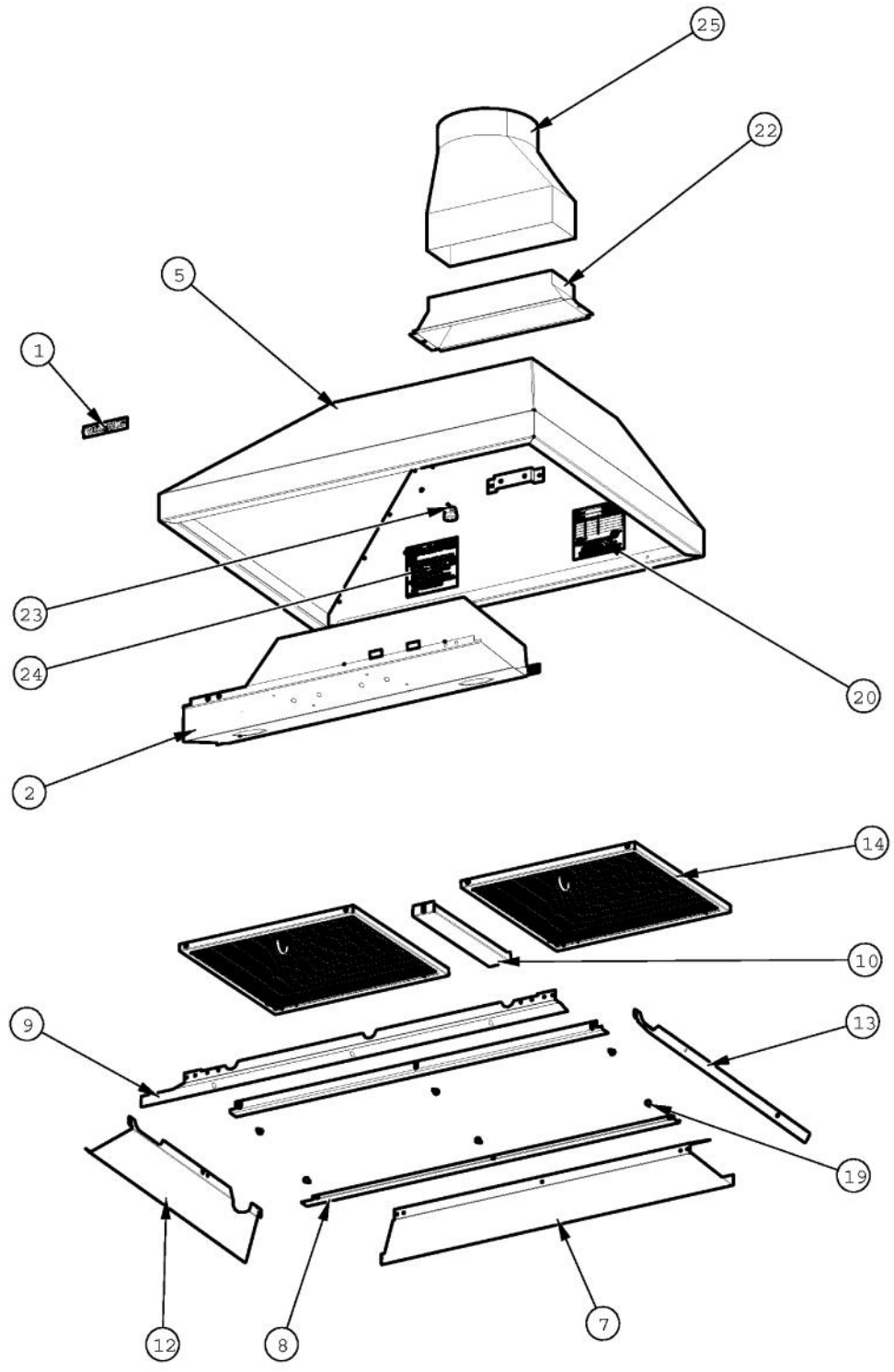
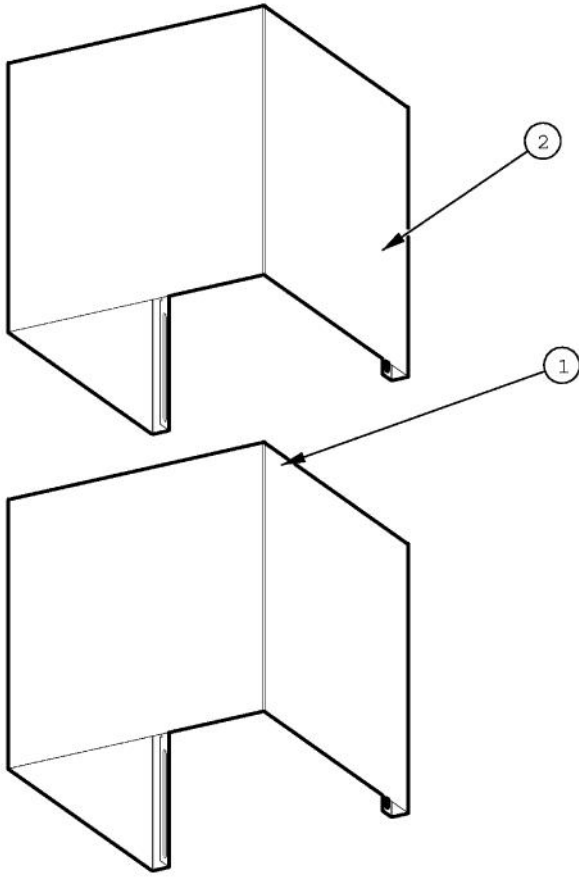


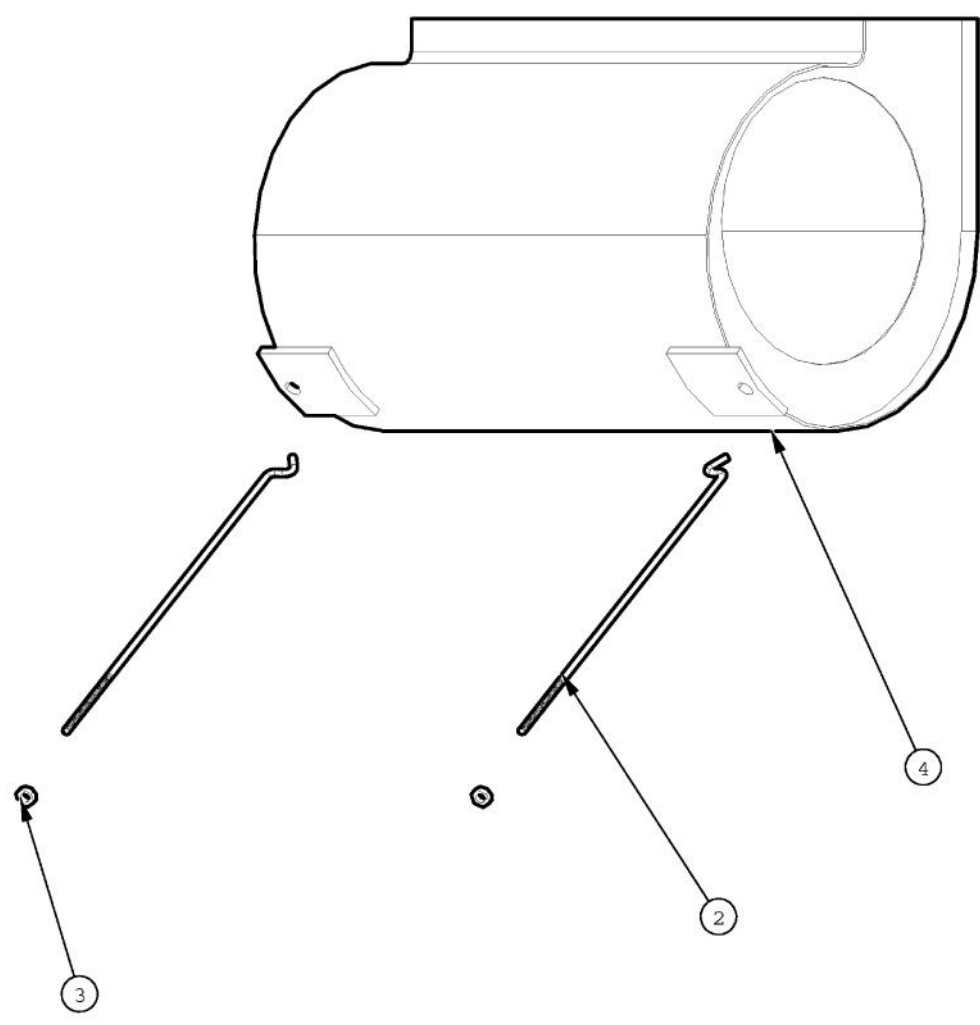
Ref #	Part Number	Qty.	Description
1	A2103810	1	THERMODISC BRACKET
2	B20010260	1	CONTROL PANEL (DCH3642)
3	B20010270	1	LT/FAN SWITCH BRKT (DCH30/36)
4	PE050168	2	DCH FAN/LIGHT SWITCH (DCH30/36)
5	PE050170	1	LIGHT CONTROL (VIH54/66 DCH30/36 VCIH54/66)
6	PA010089	2	KNOB (DESIGNER SERIES HOOD)
7	PA010093	2	DESIGNER OVEN LT SWITCH KNOB
8	PC040010	2	POP RIVET
10	PE050064	2	LIGHT ASSEMBLY
12	PE040232	1	CONTROL PANEL W/ GRAPHICS (DCH30/36)
13	PE050169	1	BLOWER CONTROL (DCH30/36)
17	PE070197	1	MALE SOCKET (3 PRONG)
18	PE070541	1	3-PRONG FEMALE SOCKET
19	PJ030014	1	HEAT SENSOR (N.O.) 160 DEG.



Ref #	Part Number	Qty.	Description
1	034786-000	1	NAMEPLATE, DSNR D3, SMALL
2	B20010260	1	CONTROL PANEL (DCH3642)
5	G3009376SS	1	36 CANOPY ASSEMBLY (DCH3642)
7	B2004665	1	36 I/S REAR PANEL
8	016350-000	2	DCWH 36 REAR FILTER SUPPORT ANGLE
8	042597-000		36 RDWHC SUPPORT KIT (UNITS MANUFACTURED PRIOR TO 3/18/2013)
9	B2004675	1	36 FRONT I/S PANEL
10	B2005018	1	DCWH36 FILTER SPACER 1.75 X 10.784
12	B2007324	1	I/S SIDE PANEL - LH
13	B2007323	1	I/S SIDE PANEL - RH
14	G31010268	2	FILTER ASSEMBLY (DESIGNER) 13.848 X 10.375
19	PD020087	17	10 X 1/2 PAN PH. TEK ZINC
20	PE020058	2	RATING LABEL (ADHESIVE)
22	PE050043	1	DAMPER/TRANSITION 460 CFM 97006078
23	PE070204	1	HEYCO STRAIN RELIEF - 7-P2
24	PF030337	1	HOOD WARNING LABEL
25	PM010045	1	3 1/4 X 10 RECT. TO 7 DIA(TRANS)



Ref #	Part Number	Qty.	Description
1	G31011011SS	1	DUCT COVER BOTTOM ASSY (DCC16)
2	G31011009SS	1	DUCT COVER TOP ASSY (DCC16)



Ref #	Part Number	Qty.	Description
2	PD010035	2	BLOWER MTG ROD NO.10-24 99420464
3	PD030010	2	NO.10-24 KEPS NUT
4	PE050042	1	BLOWER INT 460 CFM 97007542