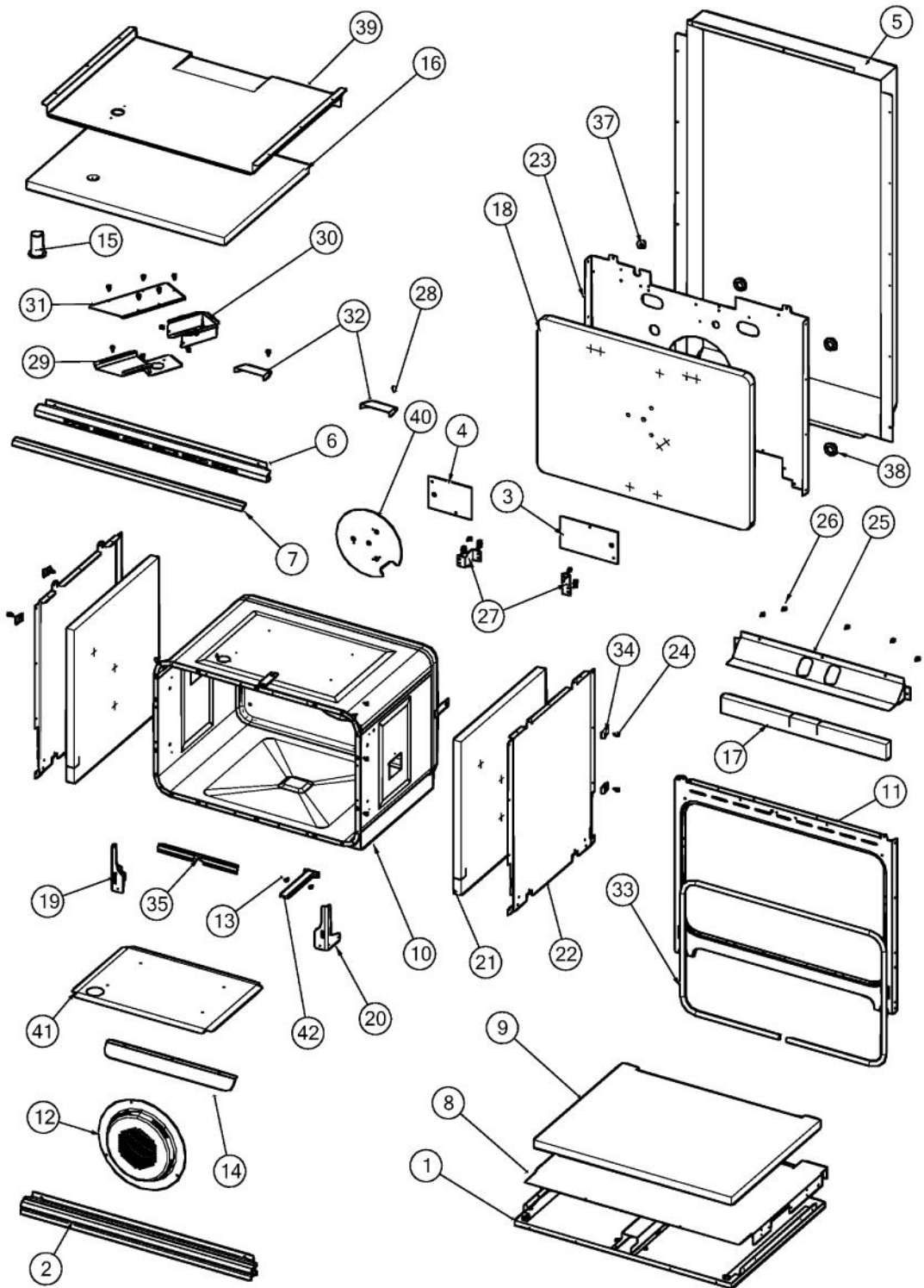
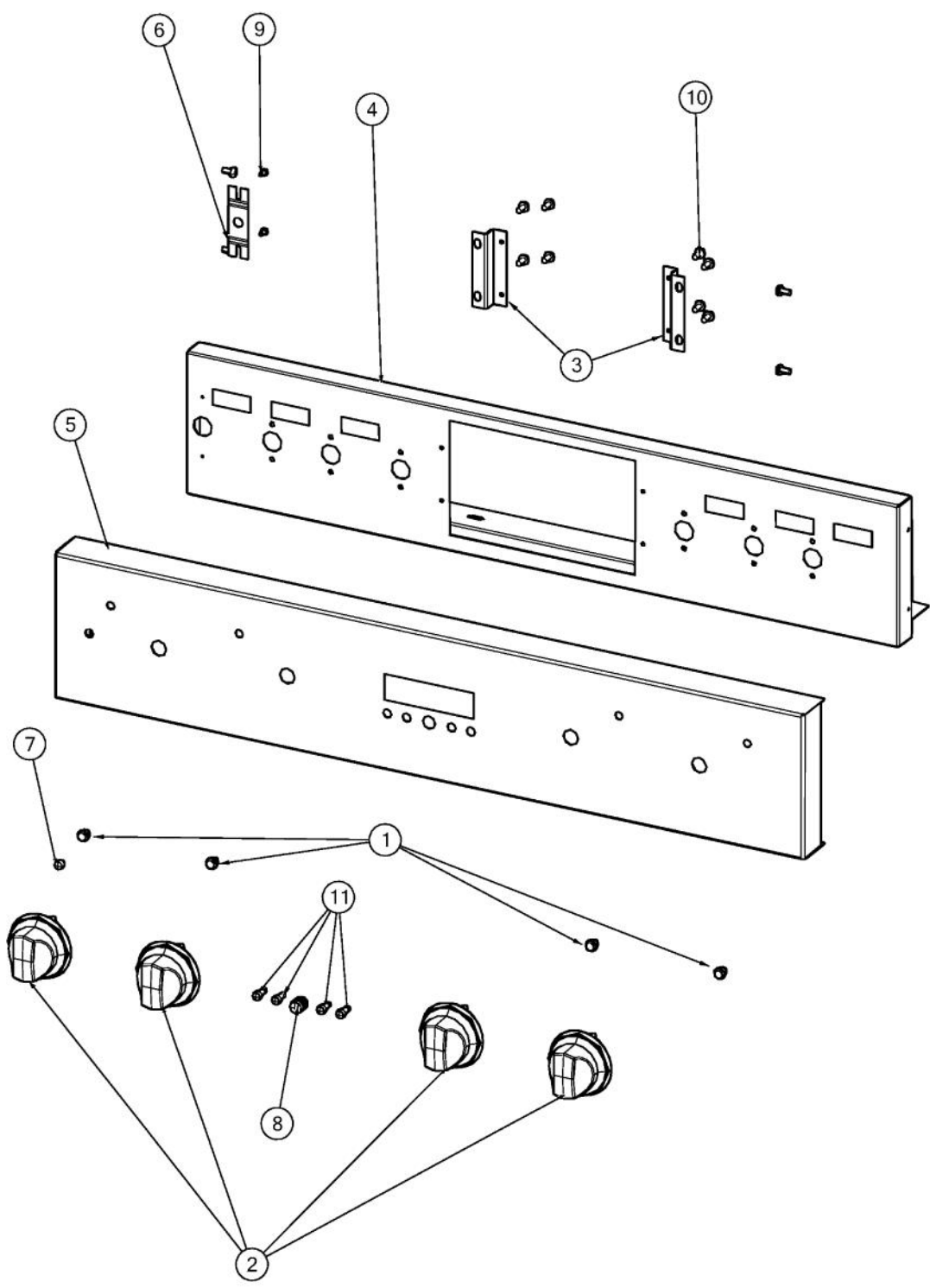


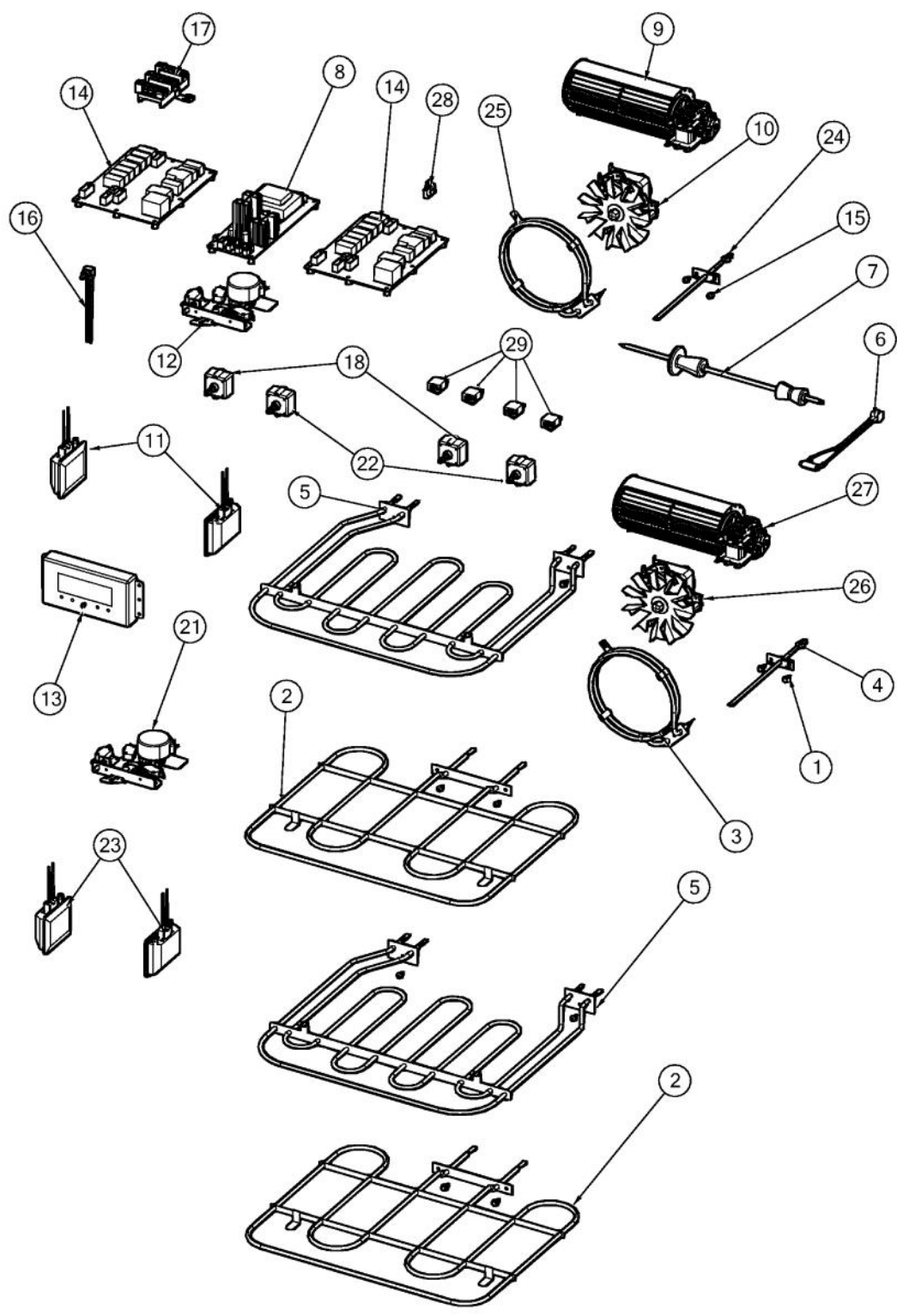
Ref #	Part Number	Qty.	Description
1	003860-000	1	NO. 10-18 X .500 FASTNR,SCR,HXWH,STL,ZPLT
2	008857-000	1	COVER BAKE ELEMENT
3	008860-000	1	INSULATION BACK
4	008867-000	1	BROIL REFLECTOR
5	008868-000	1	SMOKE ELIMINATOR
6	008872-000	1	RTD COVER
7	008873-000	1	CONV. MOTOR COVER
8	008888-000	1	BACK INS RETAINER
9	008889-000	1	RETAINER, BOT, INSULATION
10	008894-000	1	RECEIVER, HINGE LEFT
11	008895-000	1	RECEIVER, HINGE RIGHT
12	008896-000	2	COVER, INSL, SIDE
13	008898-000	1	FAN DEFLECTOR
14	008899-000	2	COOLING FAN BRACKET
15	008901-000	1	RETAINER INSL, TOP
16	008902-000	1	SMOKE ELIM VENT BOTTOM
17	008912-000	1	SMOKE ELIMIN BACK
18	008913-000	1	SMOKE ELIM VENT, TOP
19	008914-000	1	TRIM, VENT, SEAL
20	008931-000	1	MID/UPPER VENT EXTRUSION
21	009007-000	1	DOOR GASKET
22	009010-000	1	AIR DEFLECTOR
23	009011-000	1	LOUVER EXTRUSION
24	012541-000	1	PANEL, ACS, FR
25	013070-000	4	SIDE SPACER
26	N/P	1	CABINET
27	013502-000	1	INSULATION, TOP, DESIGNER
28	013503-000	1	INSULATION, BOTTOM, DESIGNER
29	013504-000	1	BAKE INSULATION
30	013505-402	1	FRONT FRAME W/BK PORC
31	013580-402	1	CONV COVER W/BK PORC
32	013626-000	1	PAINTED GASKET CLIP
33	013753-000	1	DEFLECTOR, BRL, ASM, DESIGNER
34	015774-000	1	COVER PLATE
35	015776-000	1	PANEL, ACS, TOP, REAR
36	020545-000	1	COVER, ACCESS
37	021033-000	1	PANEL, MTG, TOP,CAP, ELECTRONICS
38	021050-000	1	PANEL, RH, SIDE
39	021051-000	1	PANEL, BACK
40	021054-000	1	PANEL, LEFT
41	023097-000	2	INSULATION, SIDE, DESIGNER
42	PD040005	1	SNAP BUSHING - 7/8
43	PB070079	3	SILICONE EXTRUSION (DGSU)



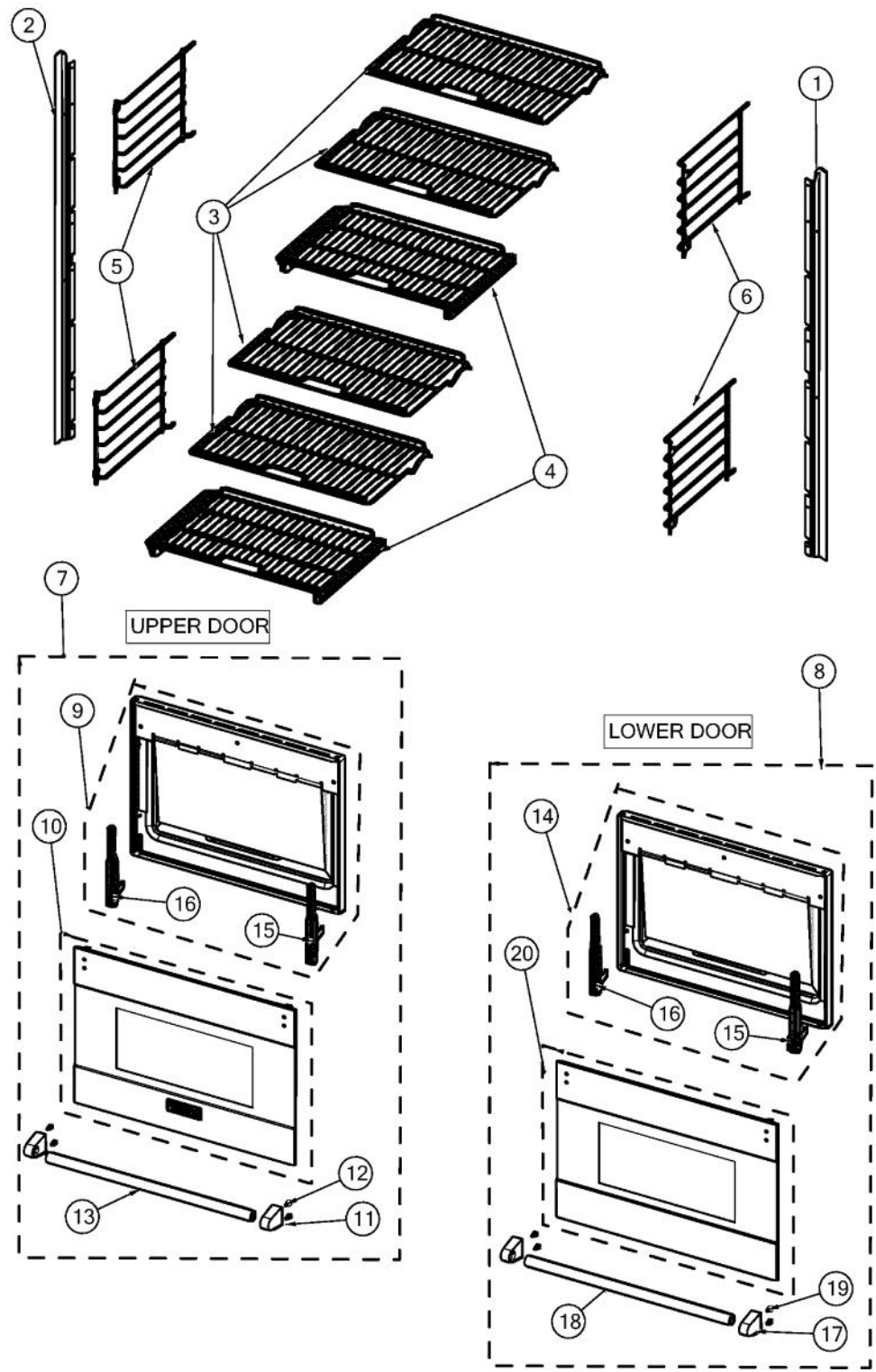
Ref #	Part Number	Qty.	Description
1	008930-000	1	BOTTOM BASE ASM
2	009015-000	1	LOWER VENT ASM
3	009018-000	1	COVER, REAR
4	009020-000	1	COVER, RH
5	020957-000	1	COVER, BACK, DOUBLE
6	008931-000	1	MID/UPPER VENT EXTRUSION
7	015712-000	1	LOUVER, EXTD, DESIGNER
8	008889-000	1	RETAINER, BOT, INSULATION
9	013503-000	1	INSULATION, BOTTOM, DESIGNER
10	N/P	1	CABINET
11	013505-000	1	FRONT FRAME W/PORC
12	013580-000	1	CONV COVER W/PORC
13	PD020055	2	NO.10 X 1/2 PAN PHIL. TEK. SS
14	013753-000	1	DEFLECTOR, BRL, ASM, DESIGNER
15	008868-000	1	SMOKE ELIMINATOR
16	013502-000	1	INSULATION, TOP, DESIGNER
17	013504-000	1	BAKE INSULATION
18	008860-000	1	INSULATION BACK
19	008894-000	1	RECEIVER, HINGE LEFT
20	008895-000	1	RECEIVER, HINGE RIGHT
21	023097-000	2	INSULATION, SIDE, DESIGNER
22	008896-000	2	COVER, INSL, SIDE
23	008888-000	1	BACK INS RETAINER
24	003860-000	6	NO.10-18 X .500 FASTNR,SCR,HXWH,STL,ZPLT
25	008898-000	1	FAN DEFLECTOR
26	003860-000	9	NO.10-18 X .500 FASTNR,SCR,HXWH,STL,ZPLT
27	008899-000	2	COOLING FAN BRACKET
28	003860-000	9	NO.10-18 X .500 FASTNR,SCR,HXWH,STL,ZPLT
29	008902-000	1	SMOKE ELIM VENT BOTTOM
30	008912-000	1	SMOKE ELIMIN BACK
31	008913-000	1	SMOKE ELIM VENT, TOP
32	008914-000	2	TRIM, VENT, SEAL
33	009007-000	1	DOOR GASKET
34	013070-000	4	SIDE SPACER
35	013626-000	1	PAINTED GASKET CLIP
37	PD040005	1	SNAP BUSHING - 7/8
38	PB070079	3	SILICONE EXTRUSION (DGSU)
39	008901-000	1	RETAINER INSL, TOP
40	008873-000	1	CONV. MOTOR COVER
41	008867-000	1	BROIL REFLECTOR
42	008872-000	1	RTD COVER



Ref #	Part Number	Qty.	Description
1	027968-000	4	INDICATOR, LIGHT, BLUE
2	042167-000	4	KNOB, WALL OVEN, BLADE, D3PO, ASSY
3	042430-000	2	BRACKET, CLCK, VIKING
4	042432-000	1	PANEL, CTRL, OVEN, VIKINK, MT
5	042435-2571	1	CONTROL PANEL - DOUBLE OVEN - OUTER/SS?
6	A10014045	1	LIGHT SWITCH BRACKET
7	PA010093	1	DESIGNER OVEN LT SWITCH KNOB
8	PB010222	1	DESIGNER BIT GENERATOR KNOB
9	PD020261	10	NO.8-32X1/2 PH PANHEAD MACH. SCREW
10	PD020004	12	10X3/8PH.HD.TYPE 25 REPL PD040125
11	PB010315	4	DES. CLOCK BUTTON



Ref #	Part Number	Qty.	Description
1	003860-000	4	NO.10-18 X .500 FASTNR,SCR,HXWH,STL,ZPLT
2	008854-000	1	BAKE ELEMENT
3	008862-000	1	CONV ELEMENT
4	008870-000	1	RTD
5	008871-000	1	BROIL ELEMENT
6	008880-000	1	MEAT PROBE RECEPTACLE ASM
7	013803-000	1	PROBE, MEAT, DESIGNER
8	015201-000	1	LINEAR POWER SUPPLY
9	018607-000	1	FAN,BLO, 220-240V 50/60HZ ASSY
10	019668-000	1	FAN, CONV, ASM
11	020403-901	2	BJB SLIMLINE 40W BULB
12	035630-000	1	LATCH, ELEC, DOOR ASM
13	042804-000	1	TIMER, CLCK, VIKING, BLUE
14	038419-000	2	CONTROL,BD,EOC4, CB
15	PD020055	12	NO.10 X 1/2 PAN PHIL. TEK. SS
16	PE050076	1	DESIGNER OVEN LIGHT SWITCH
17	PE070147	2	TERMINAL BLOCK
18	PJ030033	2	SELECTOR (10 POS)
21	035630-000	1	LATCH, ELEC, DOOR ASM
22	PJ030035	2	THERMOSTAT
23	020403-901	2	BJB SLIMLINE 40W BULB
24	008870-000	1	RTD
25	008862-000	1	CONV ELEMENT
26	019668-000	1	FAN, CONV, ASM
27	018607-000	1	FAN,BLO, 220-240V 50/60HZ ASSY
28	PE070795	1	10 POSITION 27 L.O.
29	043135-000	4	HOUSING, LIGHT, LED, BLUE 3.3V
NI	036541-000	1	HARN, W, UPR, RDDOE306
NI	016290-000	2	HARNESS, LATCH
NI	017047-000	1	TOD2 RIBBON CABLE
NI	036542-000	1	HARN, W, LWR, RDDOE306?
NI	001421-000	1	CONDUIT, ELECTRICAL CORD, 70`



Ref #	Part Number	Qty.	Description
1	011323-000	1	DOUBLE RH SIDE TRIM EXTRUSION
2	011324-000	1	DOUBLE LH SIDE TRIM EXTRUSION
3	027919-000	4	OVEN RACK D3
4	029894-000	2	D3 GLIDE RACK, WALL OVEN 30
5	036548-402	2	RACK SUPPORT LT
6	036573-402	2	RACK SUPPORT RT
7	042705-000	1	DOOR, OVEN, OUTER, RVSOE/RVDOE, SS, VIKING, ASSY
7	042706-002	1	DOOR, OVEN, OUTER, RVSOE/RVDOE, BK, VIKING, ASSY
7	042706-006	1	DOOR, OVEN, OUTER, RVSOE/RVDOE, WH, VIKING, ASSY
8	042709-000	1	DOOR, OVEN, RVDOE, SS, NO LOGO, ASSY?
8	042704-002	1	DOOR, HANDLE, OVEN, OUTER, RVDOE, NO LOGO, ASSY BK
8	042704-006	1	DOOR, HANDLE, OVEN, OUTER, RVDOE, NO LOGO, ASSY W...
9	030621-402	1	LINER, DOOR, ASM?
10	042693-000	1	DOOR, OVEN, OUTER, RVSOE/RVDOE, SS, VIKING, ASSY
10	042694-002	1	DOOR, OVEN, OUTER, RVSOE/RVDOE, BK, VIKING, ASSY
10	042694-006	1	DOOR, OVEN, OUTER, RVSOE/RVDOE, WH, VIKING, ASSY
11	026965-000	2	END CAP, ASM, DOOR HANDLE
12	014221-000	4	1/4-20 X .625 HEX 316 SS
13	035590-000	1	HANDLE, TUBE
14	030621-402	1	LINER, DOOR, ASM?
15	008955-000	2	HINGE RH
16	008958-000	2	HINGE LH
17	026965-000	2	END CAP, ASM, DOOR HANDLE
18	035590-000	1	HANDLE, TUBE
19	014221-000	4	1/4-20 X .625 HEX 316 SS
20	042697-000	1	DOOR, OVEN, OUTER, RVDOE, SS, NO LOGO, ASSY?
20	042698-002	1	DOOR, OVEN, OUTER, RVDOE, BK, NO LOGO, ASSY?
20	042698-006	1	DOOR, OVEN, OUTER, RVDOE, WH, NO LOGO, ASSY?