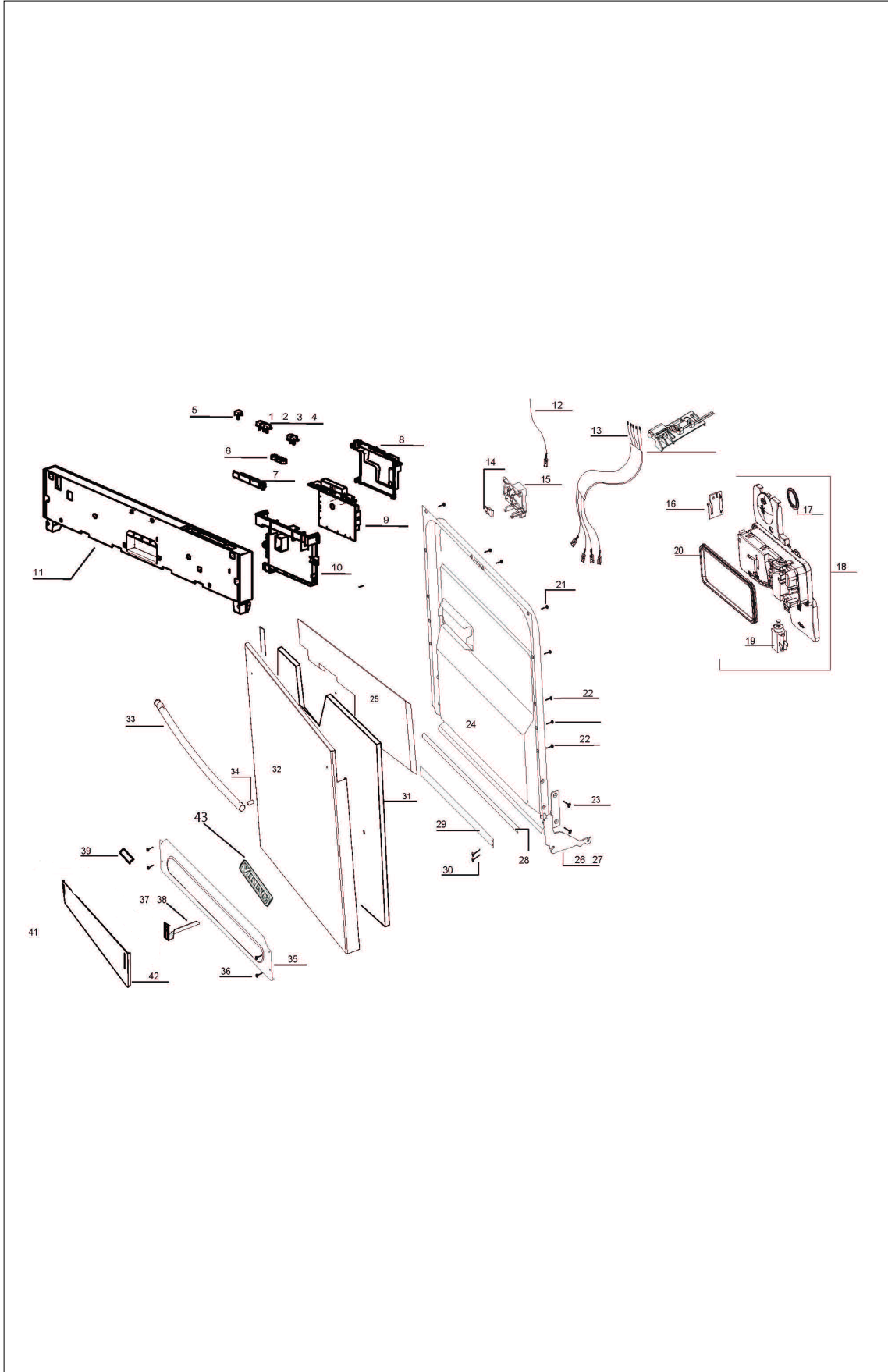


RVDW103

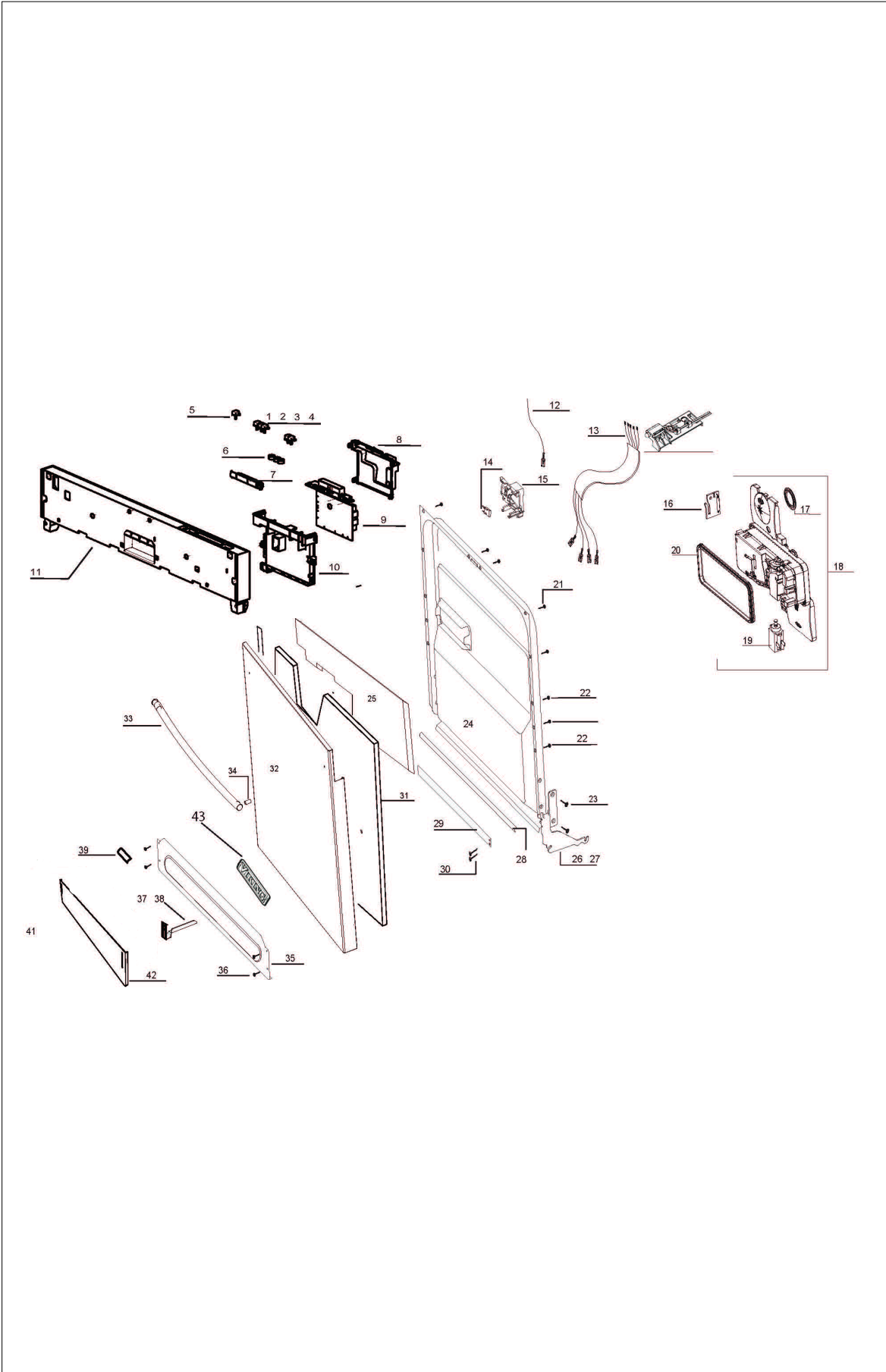
SS Dishwasher

| | |
|----------------------------------|---|
| RVDW103 Door Parts | 1 |
| RVDW103 Chassis Parts | 2 |
| RVDW103 Water System Parts | 3 |
| Appendix A:Pages Index | A |
| Appendix B:Parts Index | B |

RVDW103 Door Parts



| Item | Part No. | Name | Qty | Uom | NOTES |
|------|------------|------------------------------|-----|-----|-------|
| 1 | 060153-000 | F1-F2 FUNCTION BUTTON BLACK | 1 | EA | |
| 2 | 060154-000 | F3-F4 FUNCTION BUTTON BLACK | 1 | EA | |
| 3 | 060180-000 | DELAY BUTTON BLACK | 1 | EA | |
| 4 | 060155-000 | PROGRAME DELAY BUTTON BLACK | 1 | EA | |
| 5 | 060156-000 | ON-OFF BUTTON BLACK | 1 | EA | |
| 6 | 060192-000 | E5-E6 BUTTON GASKET | 1 | EA | |
| 7 | 060169-000 | TURBIDITY FRAME 2K | 1 | EA | |
| 8 | 060190-000 | E5-E6 CARD HOLDER BACK PART | 1 | EA | |
| 9 | 059863-000 | ELECTRONIC CARD E5 | 1 | EA | |
| 10 | 060189-000 | E5-E6 CARD HOLDER FRONT PART | 1 | EA | |
| 11 | 059864-000 | PANEL GR FDW103 | 1 | EA | |
| 12 | 057525-000 | GROUND WIRE | 1 | EA | |
| 13 | 060710-000 | D1 CABLE HARNESS | 1 | EA | |
| 14 | 059878-000 | NEW DOOR SWITCH | 1 | EA | |
| 15 | 060170-000 | DOOR LOCK GROUP | 1 | EA | |
| 16 | 050831-000 | RINSE AID GLASS | 1 | EA | |
| 17 | 039713-000 | RINSE AID GASKET | 1 | EA | |
| 18 | 039715-000 | DETERGENT DISPENSER GROUP | 1 | EA | |
| 19 | 039882-000 | THERMOACTUATOR D3731 D3421 | 1 | EA | |
| 20 | 039714-000 | DTERGENT DISPENSER GASKET | 1 | EA | |
| 21 | 060208-000 | SCREW | 2 | EA | |
| 22 | 039916-000 | SCREW | 6 | EA | |
| 23 | 039877-000 | SCREW | 4 | EA | |
| 24 | 039720-000 | INNER DOOR GR | 1 | EA | |
| 25 | 039932-000 | DOOR INSULATION | 1 | EA | |
| 26 | 039738-000 | HINGE ARM LEFT | 1 | EA | |
| 27 | 039739-000 | HINGE ARM RIGHT | 1 | EA | |
| 28 | 039908-000 | DOOR SEALING GASKET | 1 | EA | |
| 29 | 039935-000 | HINGE ARM SUPPORT | 1 | EA | |





| Item | Part No. | Name | Qty | Uom | NOTES |
|------|------------|--|-----|-----|-------|
| 30 | 039917-000 | BOLT M4X8 D3731 D3421 | 2 | EA | |
| 31 | 060205-000 | DOOR INSULATION | 1 | EA | |
| 32 | 060526-000 | OUTER DOOR SKIN | 1 | EA | |
| 33 | 060160-000 | TALL TUB HANDLE GROUP WITH SET SCREWS | 1 | EA | |
| NI | 076005-000 | SET SCREW | 2 | EA | |
| 34 | 065087-000 | TALL TUB HANDLE CONNECTION GROUP (END CAP) | 2 | EA | |
| 35 | 039773-000 | KICK PLATE SHEET | 1 | EA | |
| 36 | 039876-000 | SCREW | 4 | EA | |
| 37 | 039924-000 | PLINTH ADJUSTMENT SHEET LEFT | 1 | EA | |
| 38 | 039925-000 | PLINTH ADJUSTMENT SHEET RIGHT | 1 | EA | |
| 39 | 039928-000 | KICK PLATE ADJUSTING LOCKET | 1 | EA | |
| 41 | 039926-000 | KICK PLATE SHEET | 1 | EA | |
| 42 | 060210-000 | KICK PLATE SHEET | 1 | EA | |
| 43 | 041992-000 | NAMEPLATE, VIKING, 4.500" | 1 | EA | |



| Item | Part No. | Name | Qty | Uom | NOTES |
|---|------------|--|-----|-----|--|
| 1 | 061486-000 | REGENERATION UNIT | 1 | EA | |
| 2 | 039910-000 | AIR FUNNEL GASKET | 1 | EA | |
| <p>Comments for Part Num. 039910-000</p> <p>bradleysapplianceservice@shaw.ca on Feb 28, 2017 SUBS TO: 039910-000 AIR FUNNEL GASKET</p> | | | | | |
| 3 | 039958-000 | HOSE CLAMP (Ø 15.88) | 2 | EA | |
| 4 | 039866-000 | HOSE BETWEEN COUNTER AND REGENERATION U. | 1 | EA | |
| 5 | 050887-000 | COUNTER GROUP | 1 | EA | |
| 6 | 039793-000 | RAIL WHEEL GROUP | 1 | EA | |
| 7 | 059869-000 | RAIL WHEEL GROUP | 4 | EA | Not available online / Call for pricing and availability |
| 8 | 039777-000 | RAIL WHEEL HOLDER | 4 | EA | |
| 9 | 039766-000 | RAIL WHEEL SCREW | 8 | EA | |
| 10 | 050782-000 | rail cap front back | 4 | EA | |
| 11 | 039887-000 | RAIL | 2 | EA | |
| 12 | 039717-000 | RAIL CAP | 1 | EA | |
| 13 | 039756-000 | WATER INLET VALVE | 1 | EA | |
| 14 | 039773-000 | KICK PLATE SHEET | 1 | EA | |
| 15 | 039761-000 | SCREW | 2 | EA | |
| 16 | 039949-000 | MAIN POWER PLUG 120V USA | 1 | EA | |
| 17 | 040591-000 | Drain Hose Holder | 1 | EA | |
| 18 | 039726-000 | DRAIN HOSE | 1 | EA | |
| <p>Comments for Part Num. 039726-000</p> <p>bradleysapplianceservice@shaw.ca on Jul 15, 2016 IF LONG EXTERIOR DRAIN HOSE IS REQUIRED - FROM BACK OF DISHWASHER TO DRAIN OUTLET - ORDER PART NUMBER: 039726-000 DRAIN HOSE IF SUMP TO BACK OF UNIT DRAIN HOSE IS REQUIRED - INSIDE OF UNIT - ORDER PART NUMBER: 039725-000 SUMP DRAIN HOSE (16 INCHES LONG) Reply by profixappliances@gmail.com on Dec 12, 2017 Thank you for the clarification!</p> | | | | | |
| 19 | 039774-000 | INNER TUB ISOLATION | 1 | EA | |

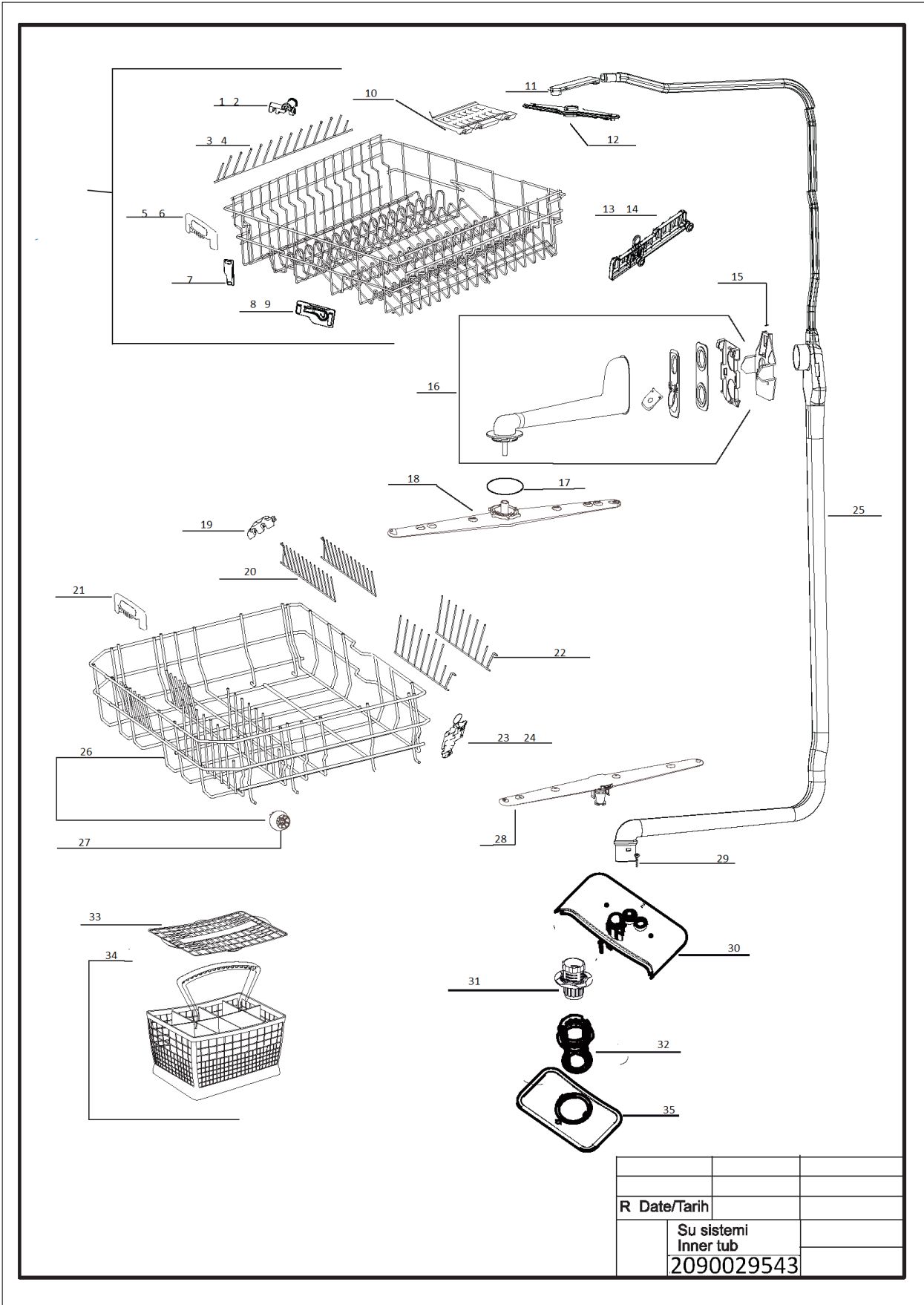
| Item | Part No. | Name | Qty | Uom | NOTES |
|--------------|------------|---------------------------------------|-----|-----|-------|
| 20 | 039775-000 | WELDED MECHANICAL GROUP | 1 | EA | |
| 21 | 060202-000 | NOISE ISOLATION FOR TUB | 1 | EA | |
| 22 | 039769-000 | DOOR SEALING GASKET | 1 | EA | |
| 23 | 039923-000 | DOOR LOCK COTTON FLEECE | 1 | EA | |
| 24 | 050778-000 | air funnel cup | 1 | EA | |
| 25 | 039901-000 | DOOR LOCK HOOK | 1 | EA | |
| 26 | 050779-000 | FOOT GROUP-ADJUSTABLE- RIGHT-FRONT | 1 | EA | |
| 27 | 039941-000 | FOOT GROUP-ADJUSTABLE- RIGHT-BACK | 1 | EA | |
| 28 | 039942-000 | FOOT GROUP-ADJUSTABLE- LEFT-FRONT | 1 | EA | |
| 29 | 039943-000 | Rear feet Adjustable LEFT BACK | 1 | EA | |
| 30 | 039885-000 | LOWER SUPPORT - FRONT | 1 | EA | |
| 31 | 039917-000 | BOLT M4X8 D3731 D3421 | 19 | EA | |
| 32 | 039921-000 | OVERFLOW SIPHON | 2 | EA | |
| 33 | 039872-000 | HOSE | 1 | EA | |
| 34 | 039893-000 | HINGE WHEEL | 2 | EA | |
| 35 | 039883-000 | WASHER | 2 | EA | |
| 36 | 039894-000 | HINGE ROPE GROUP | 2 | EA | |
| 37 | 057495-000 | HINGE SPRING | 4 | EA | |
| 38 | 039763-000 | DOOR ADJUSTMENT GROUP- LEFT | 1 | EA | |
| 39 | 059866-000 | DOOR ADJUSTMENT GROUP - RIGHT | 1 | EA | |
| 40 | 039922-000 | REAR FRAME COTTON FLEECE | 1 | EA | |
| 41 | 060207-000 | MAIN PLUG HOLDER | 1 | EA | |
| 42 | 040592-000 | REAR BOTTOM SUPPORT | 1 | EA | |
| 43 | 039876-000 | SCREW | 24 | EA | |
| 44 | 057529-000 | NOISE ISOLATION | 2 | EA | |
| Not Shown | NOTE | SLIDES ON TRIM OF TUB | | EA | |
| 45 | 039760-000 | NOISE ISOLATION | 2 | EA | |
| Not Shown | NOTE | STICKS ON SIDE OF UNIT | | EA | |
| 46 | 057516-000 | SIDE PANEL-LEFT | 1 | EA | |

| Item | Part No. | Name | Qty | Uom | NOTES |
|------|------------|--|-----|-----|--|
| 47 | 057517-000 | SIDE PANEL-RIGHT | 1 | EA | |
| 48 | 039722-000 | SUMP GASKET | 1 | EA | |
| 49 | 060721-000 | SUMP GROUP | 1 | EA | Not available online / Call for pricing and availability |
| 50 | 039955-000 | HOSE CLAMP | 1 | EA | |
| 51 | 039758-000 | DRAIN PUMP GROUP | 1 | EA | |
| 52 | 039933-000 | NTC GROUP | 1 | EA | |
| 53 | 039868-000 | O-RING (TURBIDITY) | 1 | EA | |
| 54 | 060169-000 | TURBIDITY FRAME 2K | 1 | EA | |
| 55 | 039950-000 | TURBIDITY CARD AND LED HOLDER GR | 1 | EA | |
| 56 | 039957-000 | HOSE CLAMP | 1 | EA | |
| 57 | 060722-000 | QUADRO PUMP OUTLET HOSE VALVE NO | 1 | EA | Not available online / Call for pricing and availability |
| 58 | 050799-000 | HOSE CLAMP | 1 | EA | |
| 59 | 039863-000 | THREE WAY VALVE | 1 | EA | |
| 60 | 039723-000 | HOSE BETWEEN SUMP AND HEATER | 1 | EA | |
| 61 | 050799-000 | HOSE CLAMP | 1 | EA | |
| 62 | 060167-000 | FLOW THROUGH HEATER | 1 | EA | |
| 63 | 060720-000 | PUMP INLET HOSE | 1 | EA | Not available online / Call for pricing and availability |
| 64 | 060187-000 | QUADRO CIRCULATION MOTOR GROUP | 1 | EA | |
| 65 | 060182-000 | CIRCULATION PUMP DAMPENING RUBBER | 3 | EA | |
| 66 | 060181-000 | MOTOR BRACKET GROUP | 1 | EA | |
| 67 | 039873-000 | HOSE (OVERFLOW SIPHON TO OVERFLOW FLOAT) | 1 | EA | |
| 68 | 039934-000 | OVERFLOW FLOAT GROUP | 1 | EA | |
| 69 | 039913-000 | MICRO SWITCH | 1 | EA | |
| 70 | 039872-000 | HOSE | 1 | EA | |
| 71 | 039886-000 | BOTTOM TRAY | 1 | EA | |
| 72 | 039889-000 | FOOT GROUP-ADJUSTABLE | 4 | EA | |



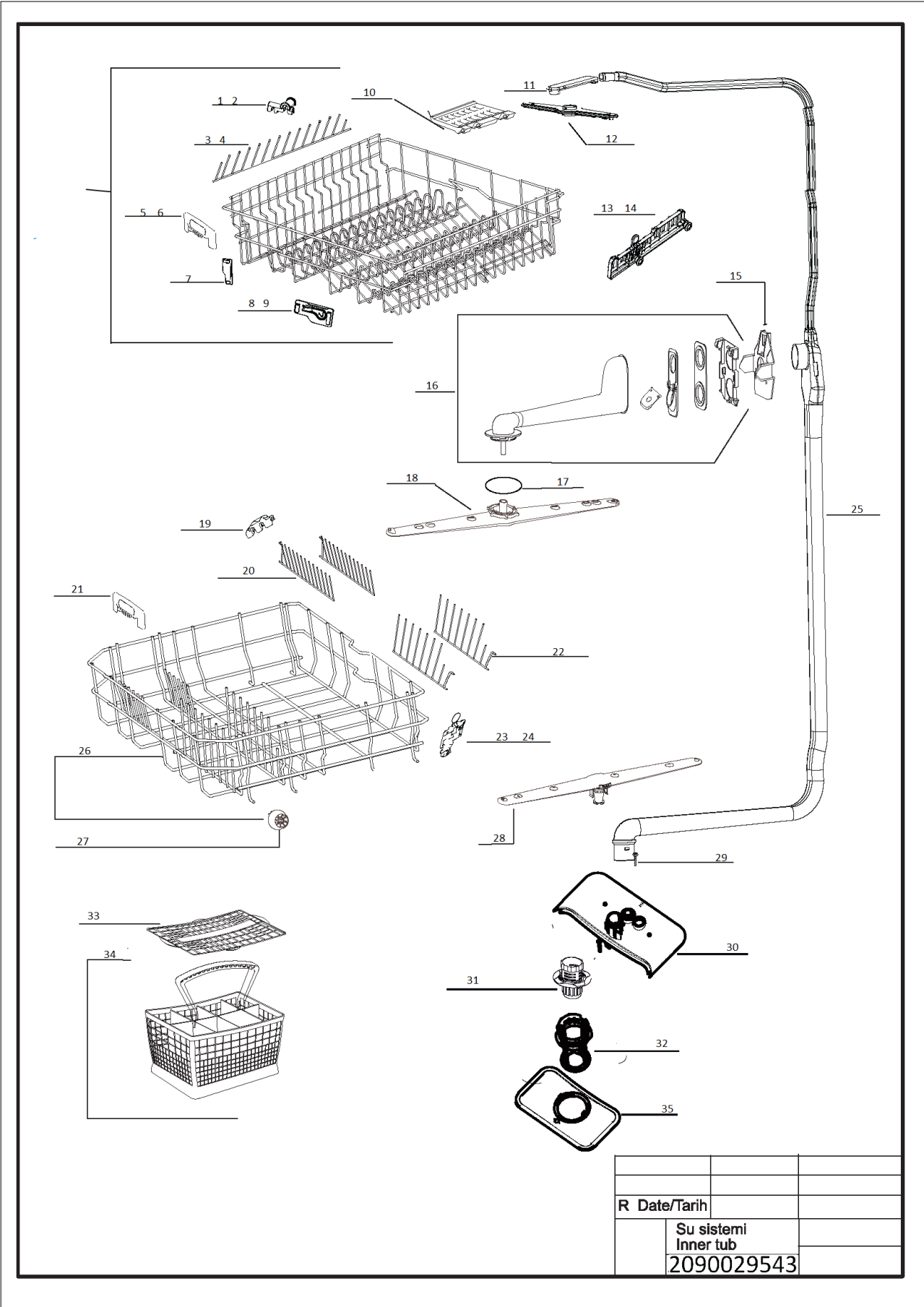
| Item | Part No. | Name | Qty | Uom | NOTES |
|-----------|------------|---------------------------|-----|-----|-------|
| 73 | 060200-000 | SCREW CAP SIDE WALLS | 2 | EA | |
| 74 | 061501-000 | SUMP CLAMP SCREW TYPE | 1 | EA | |
| NI | 057530-000 | ACCESSORIES | 1 | EA | |
| Not Shown | NOTE | INSTALL HARDWARE | | EA | |
| NI | 071566-000 | MOUNTING BRACKET KIT | 1 | EA | |
| Not Shown | NOTE | TO SECURE UNIT TO CABINET | | EA | |

RVDW103 Water System Parts



| | | |
|---|-------------------------|--|
| | | |
| R | Date/Tarih | |
| | Su sistemi Inner tub | |
| | 2090029543 | |

| Item | Part No. | Name | Qty | Uom | NOTES |
|------|------------|---|-----|-----|--|
| 1 | 039861-000 | UPPER BASKET CLIPS | 11 | EA | |
| 2 | 039783-000 | FOLDING PART CLIPS RIGHT | 1 | EA | |
| 3 | 059870-000 | UPPER BASKET SUPPORT WIRE | 1 | EA | |
| 4 | 059871-000 | UPPER BASKET SUPPORT WIRE | 1 | EA | |
| 5 | 039846-000 | UPPER BASKET HANDLE GR | 1 | EA | |
| 6 | 057486-000 | UPPER BASKET HANDLE | 1 | EA | |
| 7 | 039859-000 | BOWL FOLDING PART | 1 | EA | |
| 8 | 057494-000 | GRD FOLDING PART | 1 | EA | |
| 9 | 039782-000 | FOLDING PART | 1 | EA | |
| 10 | 039785-000 | SHELF GROUP | 4 | EA | |
| 11 | 039847-000 | CEILING SPRAY ARM FEED PIPE | 1 | EA | |
| 12 | 039841-000 | CEILING SPRAY GROUP | 1 | EA | |
| 13 | 057480-000 | UPPER BASKET MECHANISM-LEFT | 1 | EA | |
| 14 | 057481-000 | UPPER BASKET MECHANISM-RIGHT | 1 | EA | |
| 15 | 050882-000 | UPPER SPRAY ARM GUIDE ADJUSTABLE BASKET | 1 | EA | |
| 16 | 039862-000 | UPPER SPRAY ARM FEED PIPE | 1 | EA | |
| 17 | 039870-000 | GASKET | 1 | EA | |
| 18 | 060165-000 | UPPER SPRAY ARM GROUP | 1 | EA | |
| 19 | 039855-000 | LOWER BASKET CLIPS (LONG) | | EA | |
| 20 | 039789-000 | PLATE HOLDER-RIGHT | 2 | EA | |
| 21 | 050883-000 | LOWER BASKET HANDLE | 1 | EA | |
| 22 | 039788-000 | PLATE HOLDER-LEFT | 2 | EA | |
| 23 | 050885-000 | FOLDING PART OF BOTTOM BASKET | 1 | EA | |
| 24 | 057489-000 | FOLDING PART OF BOTTOM BASKET | 1 | EA | |
| 25 | 039840-000 | WATER SUPPLY TUBE GROUP | 1 | EA | |
| 26 | 057490-000 | LOWER BASKET GROUP | 1 | EA | |
| 27 | 060707-000 | GRD LOWER BASKET WHEEL GROUP | 8 | EA | Not available online / Call for pricing and availability |





| Item | Part No. | Name | Qty | Uom | NOTES |
|------|------------|--------------------------|-----|-----|--|
| 28 | 060164-000 | LOWER SPRAY ARM GROUP | 1 | EA | |
| 29 | 039945-000 | SCREW | 2 | EA | |
| 30 | 060708-000 | HALF FILTER SUPPORT ZONE | 1 | EA | Not available online / Call for pricing and availability |
| 31 | 057474-000 | COARSE FILTER | 1 | EA | |
| 32 | 060196-000 | MICRO FILTER GROUP_2 | 1 | EA | |
| 33 | 039791-000 | CUTLERY BASKET SEPARATOR | 1 | EA | |
| 34 | 057482-000 | CUTLERY BASKET GROUP | 1 | EA | |
| 35 | 060198-000 | METAL FILTER GROUP | 1 | EA | |
| 36 | 057479-000 | UPPER BASKET GROUP | 1 | EA | |



Appendix A:Pages Index

| | |
|----------------------------------|---|
| RVDW103 Chassis Parts | 2 |
| RVDW103 Door Parts | 1 |
| RVDW103 Water System Parts | 3 |



Appendix B:Parts Index

| | | | |
|------------|------------|------------|------------|
| 039713-000 | 1 | 039872-000 | 2, 2 |
| 039714-000 | 1 | 039873-000 | 2 |
| 039715-000 | 1 | 039876-000 | 1, 2 |
| 039717-000 | 2 | 039877-000 | 1 |
| 039720-000 | 1 | 039882-000 | 1 |
| 039722-000 | 2 | 039883-000 | 2 |
| 039723-000 | 2 | 039885-000 | 2 |
| 039726-000 | 2 | 039886-000 | 2 |
| 039738-000 | 1 | 039887-000 | 2 |
| 039739-000 | 1 | 039889-000 | 2 |
| 039756-000 | 2 | 039893-000 | 2 |
| 039758-000 | 2 | 039894-000 | 2 |
| 039760-000 | 2 | 039901-000 | 2 |
| 039761-000 | 2 | 039908-000 | 1 |
| 039763-000 | 2 | 039910-000 | 2 |
| 039766-000 | 2 | 039913-000 | 2 |
| 039769-000 | 2 | 039916-000 | 1 |
| 039773-000 | 1, 2 | 039917-000 | 1, 2 |
| 039774-000 | 2 | 039921-000 | 2 |
| 039775-000 | 2 | 039922-000 | 2 |
| 039777-000 | 2 | 039923-000 | 2 |
| 039782-000 | 3 | 039924-000 | 1 |
| 039783-000 | 3 | 039925-000 | 1 |
| 039785-000 | 3 | 039926-000 | 1 |
| 039788-000 | 3 | 039928-000 | 1 |
| 039789-000 | 3 | 039932-000 | 1 |
| 039791-000 | 3 | 039933-000 | 2 |
| 039793-000 | 2 | 039934-000 | 2 |
| 039840-000 | 3 | 039935-000 | 1 |
| 039841-000 | 3 | 039941-000 | 2 |
| 039846-000 | 3 | 039942-000 | 2 |
| 039847-000 | 3 | 039943-000 | 2 |
| 039855-000 | 3 | 039945-000 | 3 |
| 039859-000 | 3 | 039949-000 | 2 |
| 039861-000 | 3 | 039950-000 | 2 |
| 039862-000 | 3 | 039955-000 | 2 |
| 039863-000 | 2 | 039957-000 | 2 |
| 039866-000 | 2 | 039958-000 | 2 |
| 039868-000 | 2 | 040591-000 | 2 |
| 039870-000 | 3 | 040592-000 | 2 |
| | | 041992-000 | 1 |



| | | | |
|------------|------|------------|---|
| 050778-000 | 2 | 060180-000 | 1 |
| 050779-000 | 2 | 060181-000 | 2 |
| 050782-000 | 2 | 060182-000 | 2 |
| 050799-000 | 2, 2 | 060187-000 | 2 |
| 050831-000 | 1 | 060189-000 | 1 |
| 050882-000 | 3 | 060190-000 | 1 |
| 050883-000 | 3 | 060192-000 | 1 |
| 050885-000 | 3 | 060196-000 | 3 |
| 050887-000 | 2 | 060198-000 | 3 |
| 057474-000 | 3 | 060200-000 | 2 |
| 057479-000 | 3 | 060202-000 | 2 |
| 057480-000 | 3 | 060205-000 | 1 |
| 057481-000 | 3 | 060207-000 | 2 |
| 057482-000 | 3 | 060208-000 | 1 |
| 057486-000 | 3 | 060210-000 | 1 |
| 057489-000 | 3 | 060526-000 | 1 |
| 057490-000 | 3 | 060707-000 | 3 |
| 057494-000 | 3 | 060708-000 | 3 |
| 057495-000 | 2 | 060710-000 | 1 |
| 057516-000 | 2 | 060720-000 | 2 |
| 057517-000 | 2 | 060721-000 | 2 |
| 057525-000 | 1 | 060722-000 | 2 |
| 057529-000 | 2 | 061486-000 | 2 |
| 057530-000 | 2 | 061501-000 | 2 |
| 059863-000 | 1 | 065087-000 | 1 |
| 059864-000 | 1 | 071566-000 | 2 |
| 059866-000 | 2 | 076005-000 | 1 |
| 059869-000 | 2 | | |
| 059870-000 | 3 | | |
| 059871-000 | 3 | | |
| 059878-000 | 1 | | |
| 060153-000 | 1 | | |
| 060154-000 | 1 | | |
| 060155-000 | 1 | | |
| 060156-000 | 1 | | |
| 060160-000 | 1 | | |
| 060164-000 | 3 | | |
| 060165-000 | 3 | | |
| 060167-000 | 2 | | |
| 060169-000 | 1, 2 | | |
| 060170-000 | 1 | | |