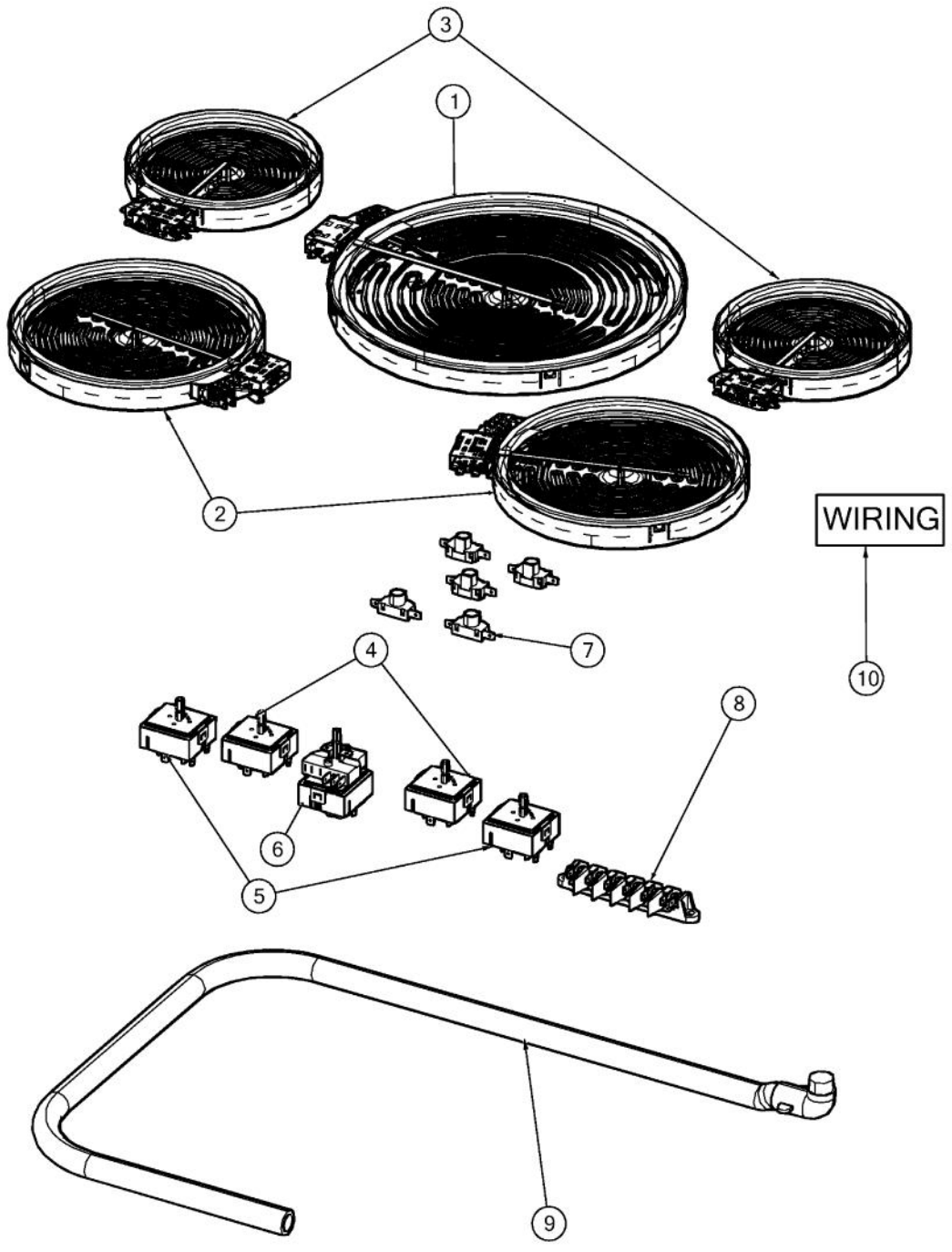
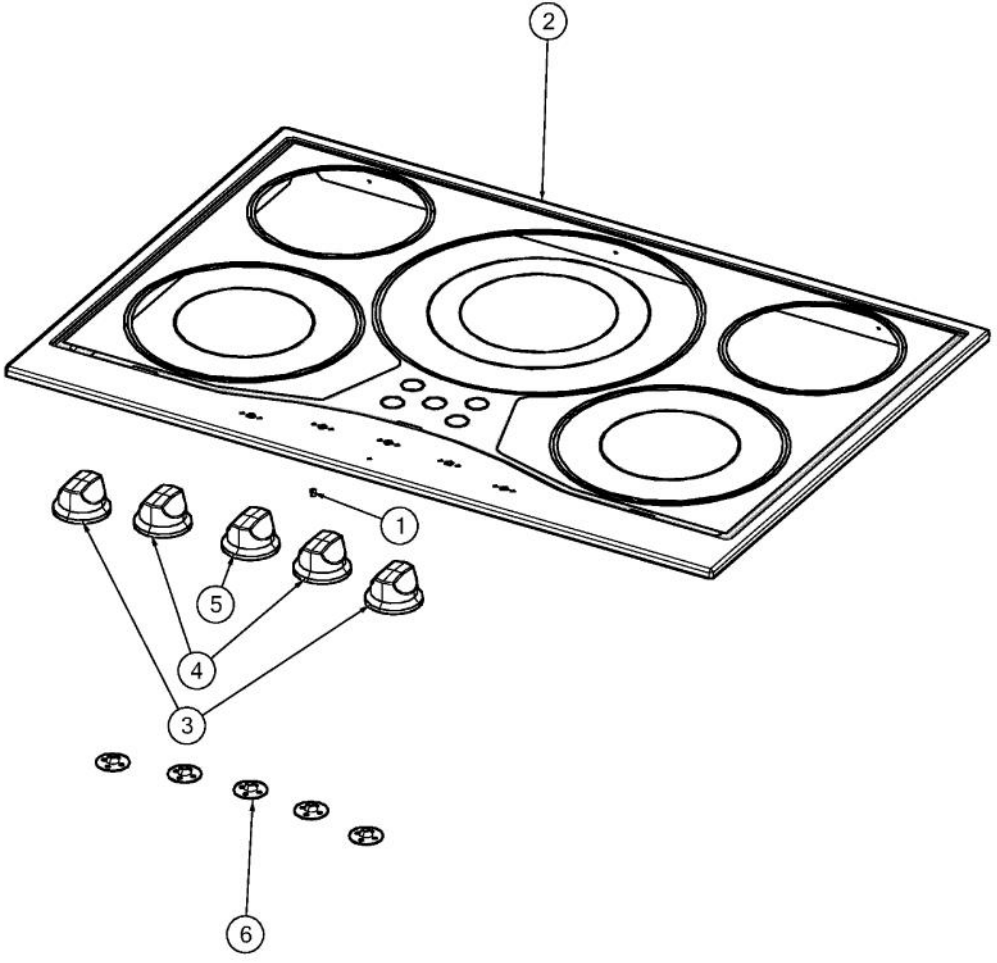


Ref #	Part Number	Qty.	Description
1	026923-000	12	CLIP, SPRING, ELECTRIC ELEMENT
2	031951-000	1	D3 BURNER BOX 30 CT
3	032139-000	1	30 CROSS BRACE
4	032995-000	2	HEAT SHIELD
5	033352-000	1	D3 COOKTOP 30 INSULATION
6	033491-000	1	BRACKET, LIGHT, D3
7	034673-000	1	INSULATION, ELEC
8	038618-000	2	BRACKET, HOLD
9	PB070320	2	SILICONE EXTRUSION
10	PD010027	2	EYE BOLT-VGSU101/161
11	PD030029	2	SELF RETAINING NUT (1/4-20)



Ref #	Part Number	Qty.	Description
1	031373-000	1	TRIPLE 3200W (1100/1000/1100) ELEMENT
2	031376-000	2	DOUBLE 2000W (1000/1000) ELEMENT
3	031377-000	2	EGO SINGLE 1200W
4	031728-000	2	SINGLE INFINITE SWITCH
5	031733-000	2	DUAL INFINITE SWITCH
6	031734-000	1	TRIPLE INFINITE SWITCH
7	PE050077	5	INDICATOR LIGHT
8	PE070231	1	TERMINAL BLOCK - 6 POLE (HEYCO)
9	032247-000	1	CONDUIT, D3 COOKTOP
10	034826-000	1	WIRE HARNESS, MAIN, RDECU206



Ref #	Part Number	Qty.	Description
1	017579-000	1	LENS, BLUE
2	042876-2539	1	RVEC3305B 30 GLASS TOP ASM
3	042164-000	2	KNOB, SNGL INF, COOKTOP, BLADE, D3PO, ASSY
4	042165-000	2	KNOB, DUAL INF, COOKTOP, BLADE, D3PO, ASSY
5	042166-000	1	KNOB, TRIPLE INF, COOKTOP, BLADE, D3PO, ASSY
6	PB070078	5	SILICONE GASKET (DESU)
NI	049336-000	1	30 KIT FOR RVEC3305B (FOR UNITS BUILT BEFORE 1/5/14)