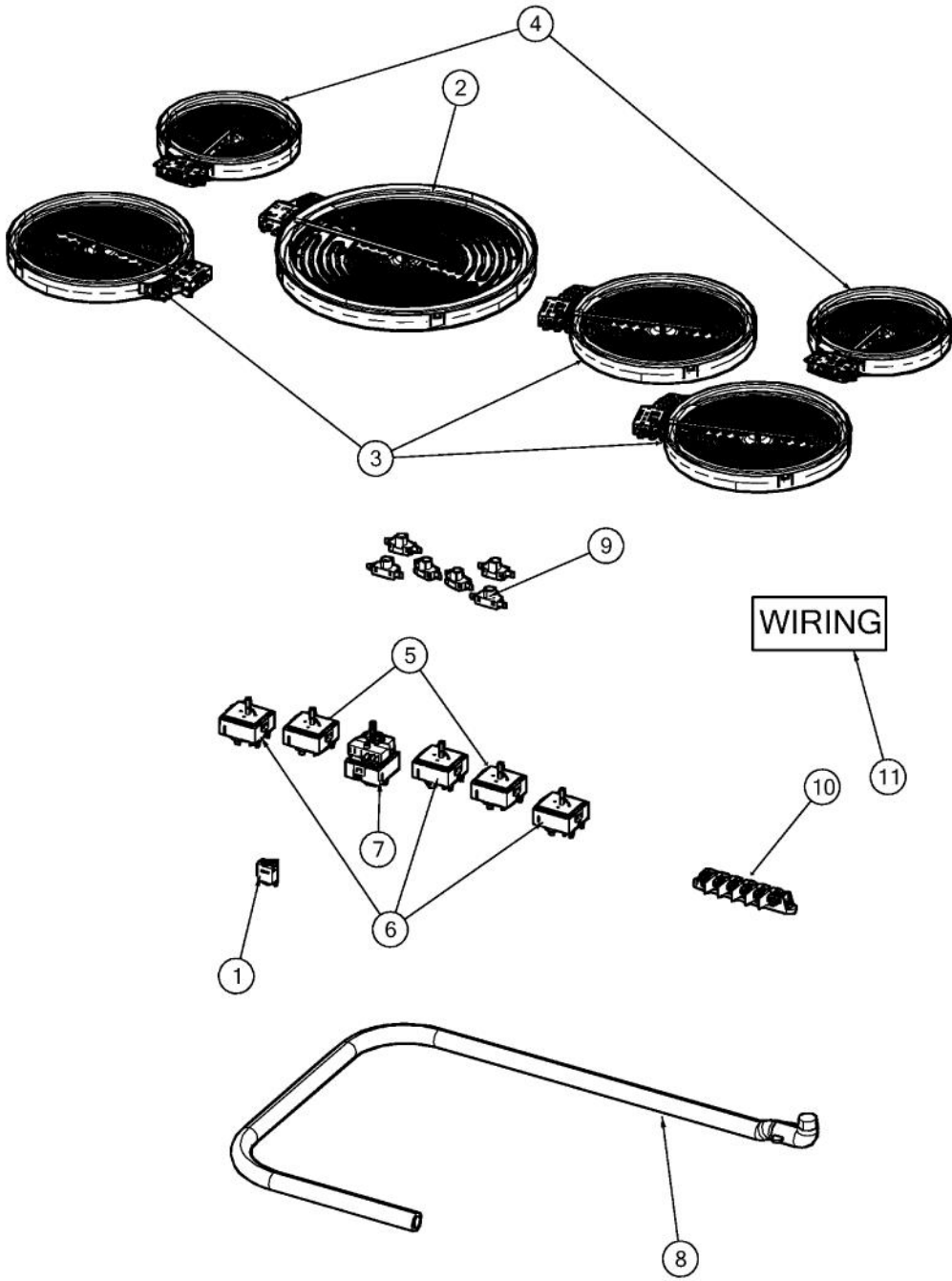
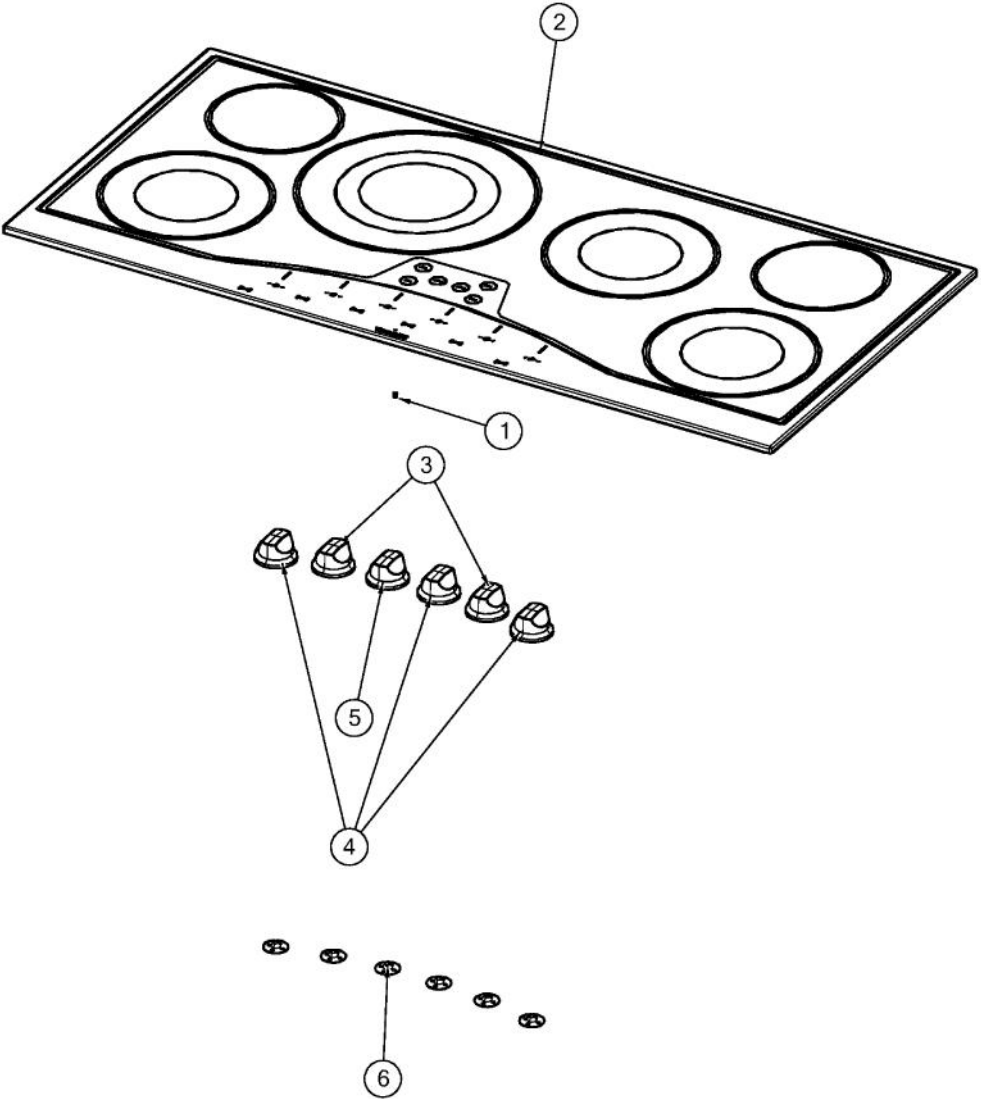


Ref #	Part Number	Qty.	Description
1	026923-000	14	CLIP, SPRING, ELECTRIC ELEMENT
2	033053-000	1	45 D3 ELEC COOKTOP BURNER BOX
3	033054-000	1	45 CROSS BRACE
4	033572-000	1	BRACKET,LIGHT,D3, 45
5	034112-000	1	INSULATION, 45 COOKTOP
6	036552-000	1	INSULATION, INDICATOR LIGHT
7	038618-000	6	BRACKET, HOLD
8	PB070320	5	SILICONE EXTRUSION
9	PD010027	6	EYE BOLT-VGSU101/161
10	PD030029	6	SELF RETAINING NUT (1/4-20)



Ref #	Part Number	Qty.	Description
1	017582-000	1	LIGHT HOUSING, BLUE NEON
2	031373-000	1	TRIPLE 3200W (1100/1000/1100) ELEMENT
3	031376-000	3	DOUBLE 2000W (1000/1000) ELEMENT
4	031377-000	2	EGO SINGLE 1200W
5	031728-000	2	SINGLE INFINITE SWITCH
6	031733-000	3	DUAL INFINITE SWITCH
7	031734-000	1	TRIPLE INFINITE SWITCH
8	032247-000	1	CONDUIT, D3 COOKTOP
9	PE050077	6	INDICATOR LIGHT
10	PE070231	1	TERMINAL BLOCK - 6 POLE (HEYCO)
11	037004-000	1	HARNESS, MAIN, RDECU2566



Ref #	Part Number	Qty.	Description
1	017579-000	1	LENS, BLUE
2	042878-2541	1	RVEC3456B 45 GLASS TOP ASM
3	042164-000	2	KNOB, SNGL INF, COOKTOP, BLADE, D3PO, ASSY
4	042165-000	3	KNOB, DUAL INF, COOKTOP, BLADE, D3PO, ASSY
5	042166-000	1	KNOB, TRIPLE INF, COOKTOP, BLADE, D3PO, ASSY
6	PB070078	6	SILICONE GASKET (DESU)
NI	049338-000	1	45 KIT FOR RVEC3456B (FOR UNITS BUILT BEFORE 1/5/14)