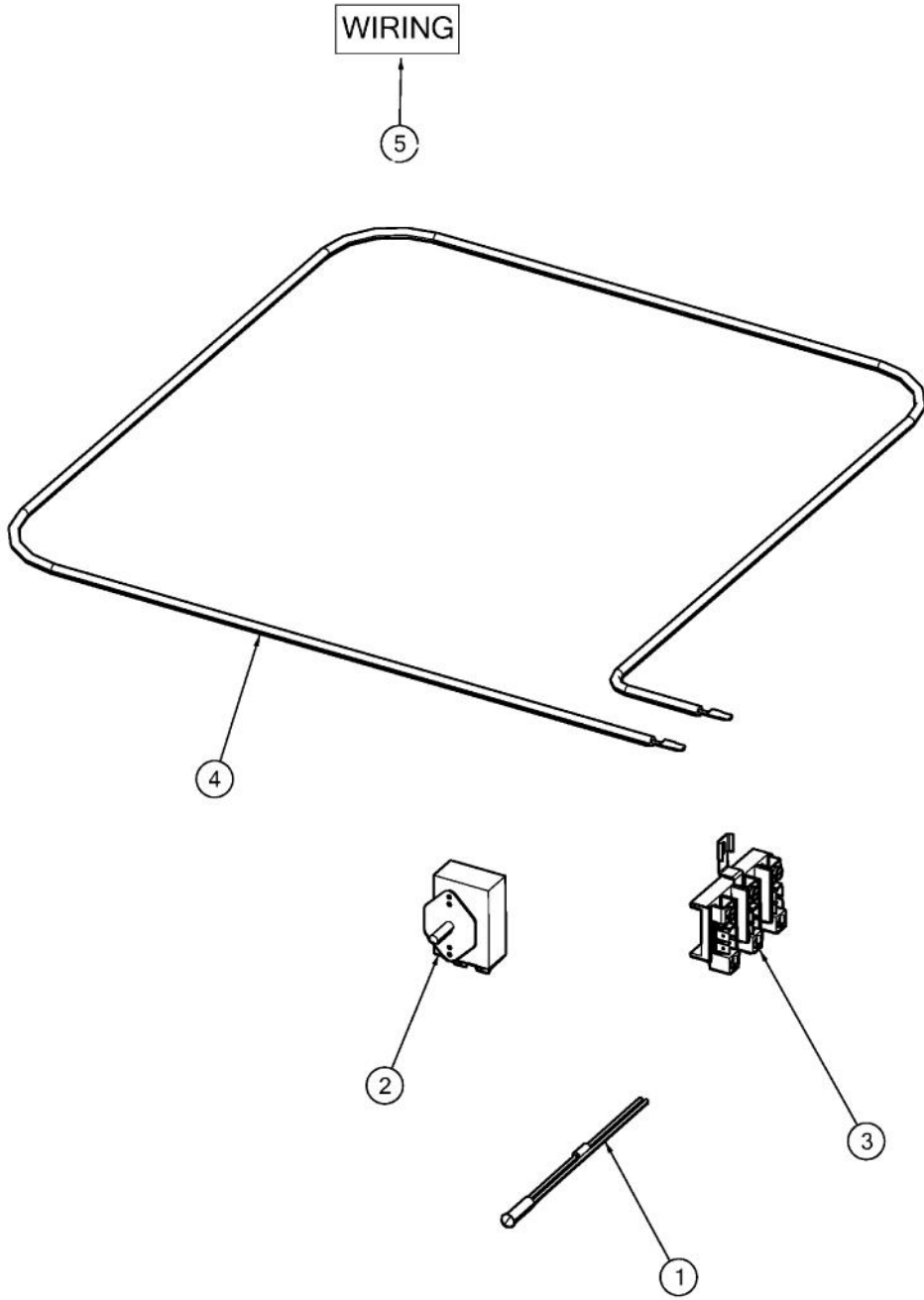
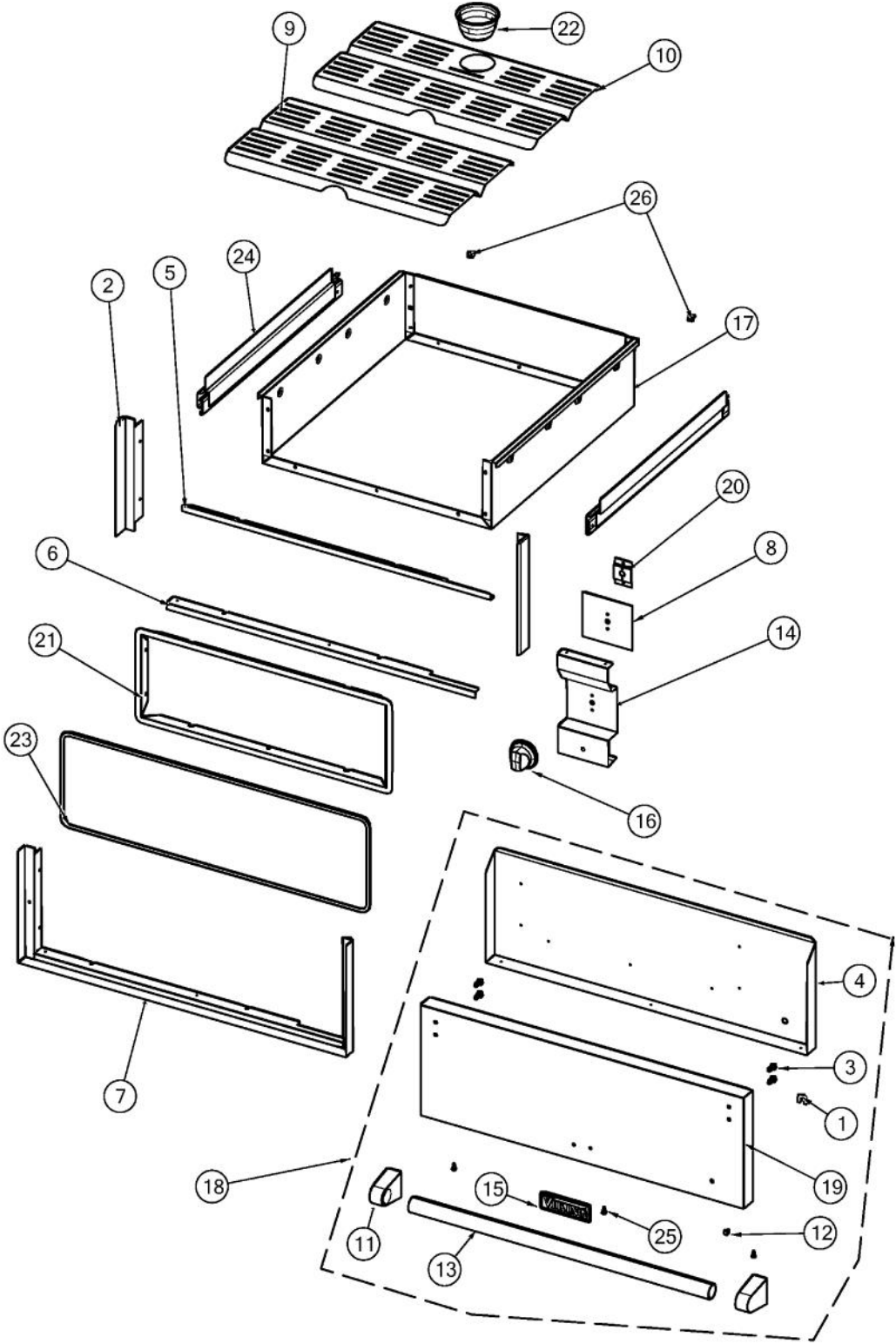


Ref #	Part Number	Qty.	Description
1	002437-000	1	30 WARMING DRAWER BOTTOM AL
2	003393-000	1	INSULATION PANEL VEWD
3	B2004147	4	ELEMENT BRACKET (VEWD)
4	004646-000	1	RH INNER WALL
5	005026-000	1	30 I/S TOP PANEL VEWD103
6	005027-000	1	LH INNER WALL VEWD
7	005489-000	1	30 OUTER TOP PANEL VEWD103
8	008996-000	2	LATCH BRKT (VEWD/DEWD)
9	015044-000	1	LH OUTER SIDE PANEL (DEWD102)
10	015045-000	1	RH OUTER SIDE PANEL (DEWD102)
11	024166-000	1	THERMOBULB BRACKET
12	A1002457	1	POWER CORD MOUNTING STRAP (VDSC)
13	A1004135	1	ACCESS PLATE (VEWD)
14	A2007075	1	30`` WARMING DRAWER BRKT
15	B20015280	1	BOTTOM INSIDE PANEL - 30 (VEWD)
16	B2004176	1	REAR INSIDE PANEL - 30 (VEWD)
17	PD030148	2	CLAMP CABLE ALUMINUM .500 DIA. (AL-8 CLAMP)
18	PD040005	2	SNAP BUSHING - 7/8
19	PD950013	2	LATCH PANEL ACCESS
20	A2002195	1	POWER CORD MOUNTING BRKT (VDSC)
21	B2004125	1	DRAWER STOP 27



Ref #	Part Number	Qty.	Description
1	017211-000	1	INDICATOR LIGHT XL SNAP IN CLEAR LIGHT
2	PB010167	1	THERMOSTAT
3	PE070147	1	TERMINAL BLOCK
4	PJ010009	1	ELEMENT - 30 (VEWD)
5	040211-000	1	HARNESS, JMPR, DEWD



Ref #	Part Number	Qty.	Description
1	003931-000	1	LIGHT BULB BRKT
2	014023-000	2	LH/RH DESIGNER WD SIDE TRIM
3	014221-000	4	1/4-20 X .625 HEX 316 SS
4	015047-000	1	DOOR INSIDE PANEL (DEWD/DFWD102)
5	015124-000	1	DESIGNER WD TOP TRIM
6	015128-000	1	DESIGNER WD BOTTOM TRIM
7	019663-000	1	DESIGNER WD BOTTOM TRIM TO KIT
8	024912-000	1	CONTROL PANEL W/GRAPHICS
9	026496-000	1	30 WD FRONT RACK
10	026497-000	1	30 WD REAR RACK W/MOISTURE BOWL OPENING
11	026965-000	2	END CAP, ASM, DOOR HANDLE
12	027968-000	1	INDICATOR, LIGHT, BLUE
13	035590-000	1	HANDLE, TUBE
14	036272-000	1	DEWDFORMEDCONTROL PANEL
15	041992-000	1	NAMEPLATE, VIKING, 4.500
16	042168-000	1	KNOB, WARMING DRAWER, BLADE, D3PO, ASSY
17	043033-000	1	DRAWER, WRM, 30 ASSY
18	043034-000	1	DOOR, DWR, FR, 30 ASSY
19	043035-000	1	SKIN, DWR, FR, OS, 30 - SS
19	043038-002	1	SKIN, DWR, FR, OS, 30 - BK
19	043038-006	1	SKIN, DWR, FR, OS, 30 - WH
20	A2006075	1	THERMOSTAT SPACER, DESIGNER
21	B20016091	1	GASKET FRAME (VEWD103)
22	PA030005	1	6OZ. STAINLESS STEEL BOWL (6960)
23	PB070072	1	WARMING DRAWER GASKET 6"/UNIT
24	PC020022	2	WARMING DRAWER SLIDES
25	PD020087	2	10 X 1/2 PAN PH. TEK ZINC
26	PD950012	2	STRIKE PANEL ACCESS