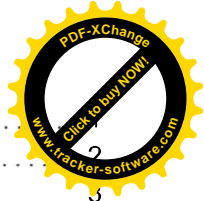
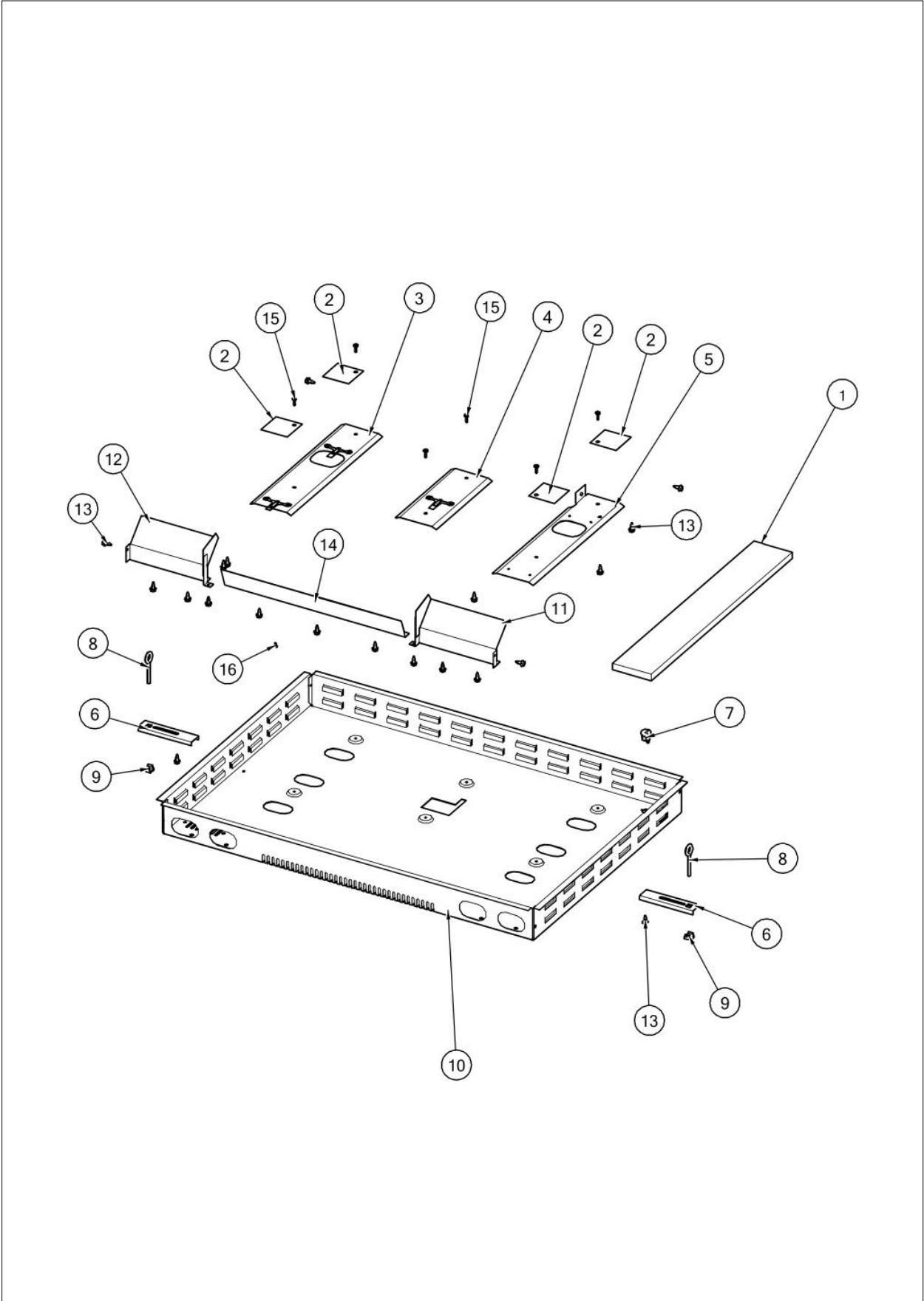




**RVGC33015B**

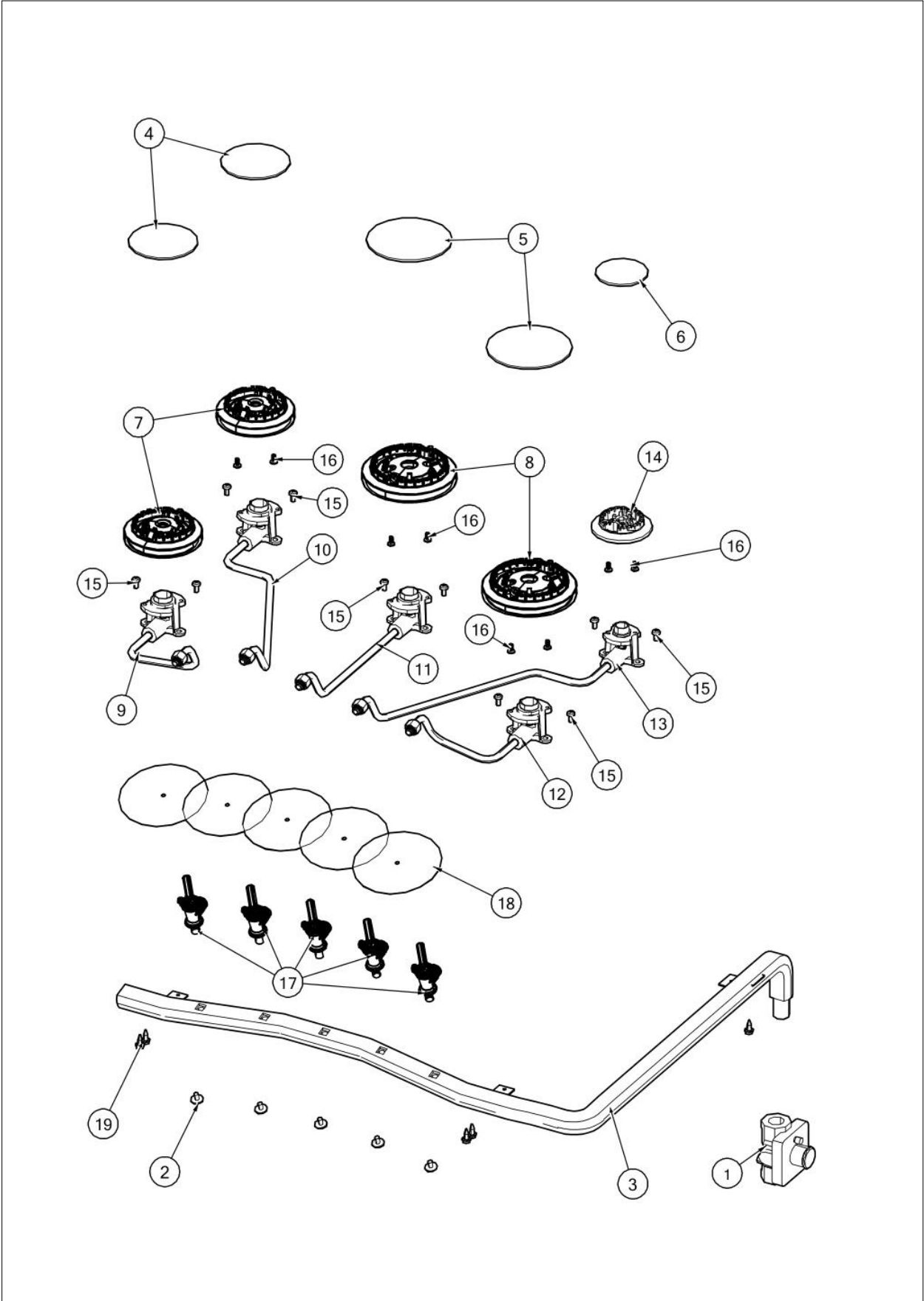


DECOR .....	3
ELECTRICAL 1 .....	4
ELECTRICAL 2 .....	5
Appendix A:Pages Index .....	A
Appendix B:Parts Index .....	B



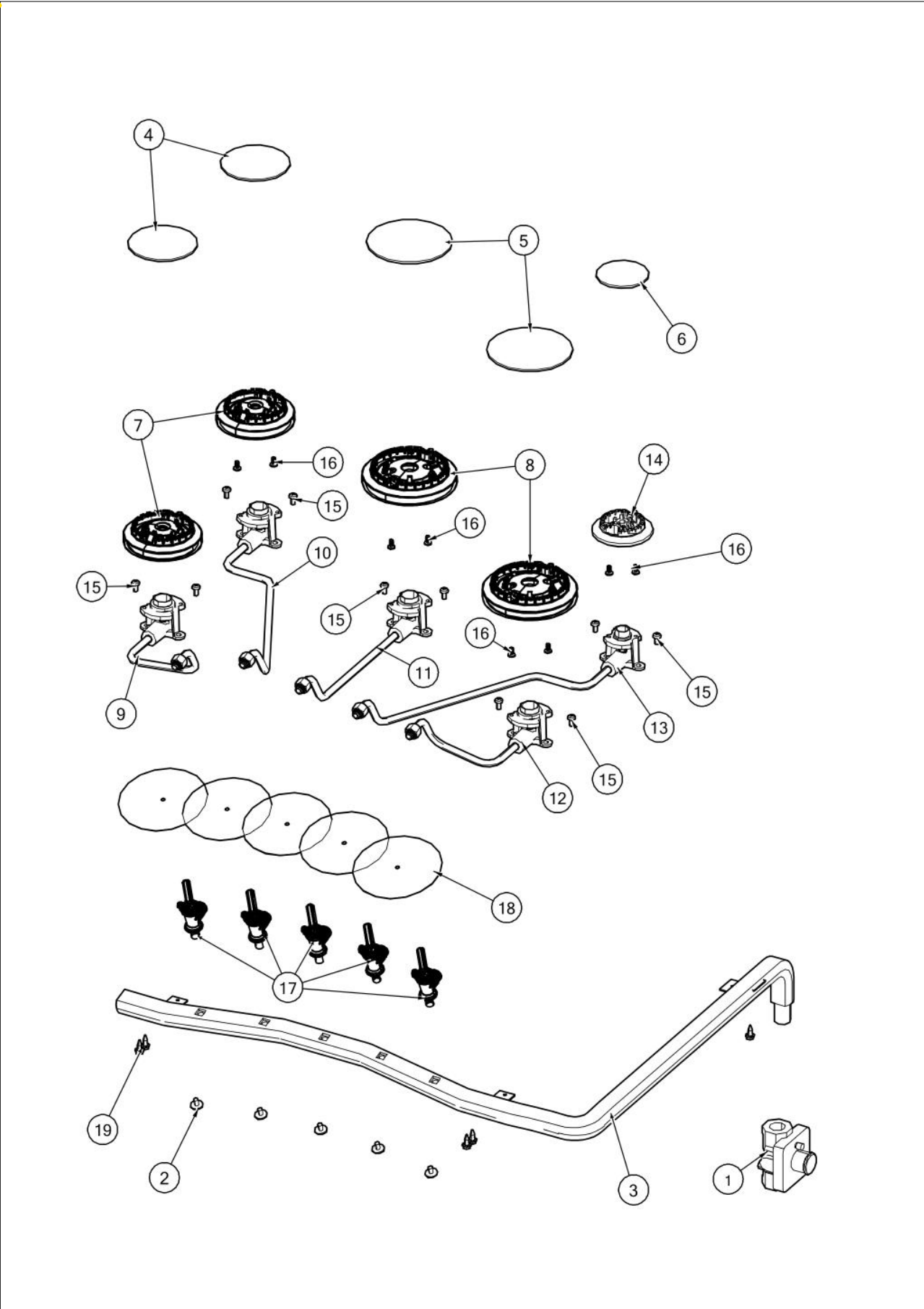


Item	Part No.	Name	Qty	Uom	NOTES
1	035645-000	INSULATION, SW	1	EA	
2	036559-000	INSULATION, ELEC	4	EA	
3	054929-000	SUPPORT, BURNER, LH	1	EA	Not available online / Call for pricing and availability
4	054932-000	SUPPORT, BURNER, CENTER	1	EA	Not available online / Call for pricing and availability
5	054933-000	SUPPORT, BURNER, RH	1	EA	Not available online / Call for pricing and availability
6	038618-000	BRACKET, HOLD	2	EA	
7	PE070069	STRAIGHT-THRU BUSHING	1	EA	
8	PD010027	EYE BOLT-VGSU101/161	2	EA	
9	PD030029	SELF RETAINING NUT (1/4-20)	2	EA	
10	055269-000	BOX, BURNER, RVGC, 30"	1	EA	Not available online / Call for pricing and availability
11	036082-000	FLUE, CKTP, RH ASSY	1	EA	
12	036121-000	FLUE, CKTP, LH ASSY	1	EA	
13	003860-000	10-18 x .500 FASTNR,SCR,HXWH,STL,ZPLT	20	EA	
14	031948-000	D3 VENT SHEILD	1	EA	
15	PD020005	8 X 1/2 PH.PN.HD.SMS.	6	EA	
16	PD020006	' #6-32 X 1/4" PH.PAN HD. T(F)	1	EA	





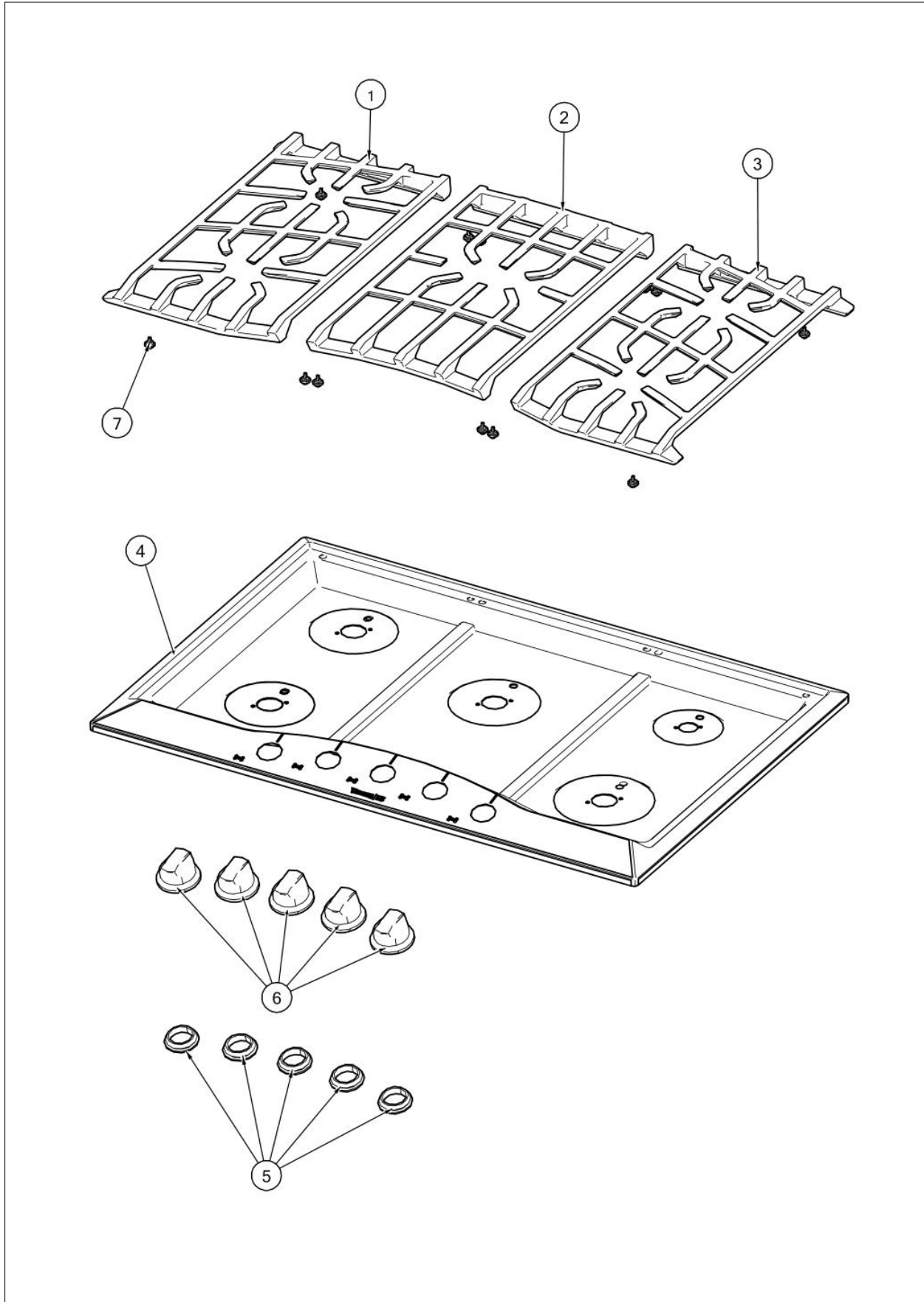
Item	Part No.	Name	Qty	Uom	NOTES
1	023883-000	REGULATOR, PRSS, NAT, 5", DESIGNER	1	EA	
1	023884-000	REGULATOR, PRSS, L.P., 10" DESIGNER	1	EA	
2	PD010012	VALVE BOLT 1/4-20 UNC-2B 5/16" M.S.	1	EA	
3	031576-000	D3 GAS COOKTOP MANIFOLD	1	EA	
4	054962-000	G8 RAPID CAP- 31001343	2	EA	
5	054963-000	G8 ULTRA CAP- 310001443	2	EA	
6	054960-000	G8 AUXI CAP- 310001143	1	EA	
7	054970-000	G8 RAPIDE BRN ASSY (TALL)- 300000312	2	EA	Not available online / Call for pricing and availability
8	054971-000	G8 ULTRA BRN ASSY (TALL)- 310000313	2	EA	Not available online / Call for pricing and availability
9	054972-000	ORIFICE HOLDER, G8, 30", LF, 9.1K- 340000493	1	EA	Not available online / Call for pricing and availability
9	055429-000	ORIFICE HOLDER, G8, LF, LP, 30" 8.5K	1	EA	
10	054973-000	ORIFICE HOLDER, G8, LR, 30", 9.1K- 430000494	1	EA	Not available online / Call for pricing and availability
10	055430-000	ORIFICE HOLDER, G8, LR, LP, 30" 8.5K	1	EA	
11	054975-000	ORIFICE HOLDER, G8, CTR, 30", 17K- 430000495	1	EA	Not available online / Call for pricing and availability
11	055431-000	ORIFICE HOLDER, G8, CTR, LP, 30" 13K	1	EA	
12	054976-000	ORIFICE HOLDER, G8, RF, 30", 12K- 430000496	1	EA	Not available online / Call for pricing and availability
12	055432-000	ORIFICE HOLDER, G8, RF, LP, 30" 10K	1	EA	
13	054977-000	ORIFICE HOLDER, G8, RR, 30", 5K- 430000497	1	EA	Not available online / Call for pricing and availability





Item	Part No.	Name	Qty	Uom	NOTES
13	055433-000	ORIFICE HOLDER, G8, RR, LP, 30" 5K	1	EA	
14	054967-000	G8 AUXI BRN ASSY- 300000286	1	EA	Not available online / Call for pricing and availability
15	PD020004	10X3/8PH.HD.TYPE 25 REPL PD040125	10	EA	
16	058156-000	SCR, 8-32 X 1, #2 PHILIPS FLAT HEAD, TCS, TYPE 23	10	EA	
17	032331-00	SINGLE GAS VALVE	5	EA	Not available online / Call for pricing and availability
18	019955-000	SHIELD, WTR	5	EA	
19	003860-000	10-18 x .500 FASTNR,SCR,HXWH,STL,ZPLT	5	EA	

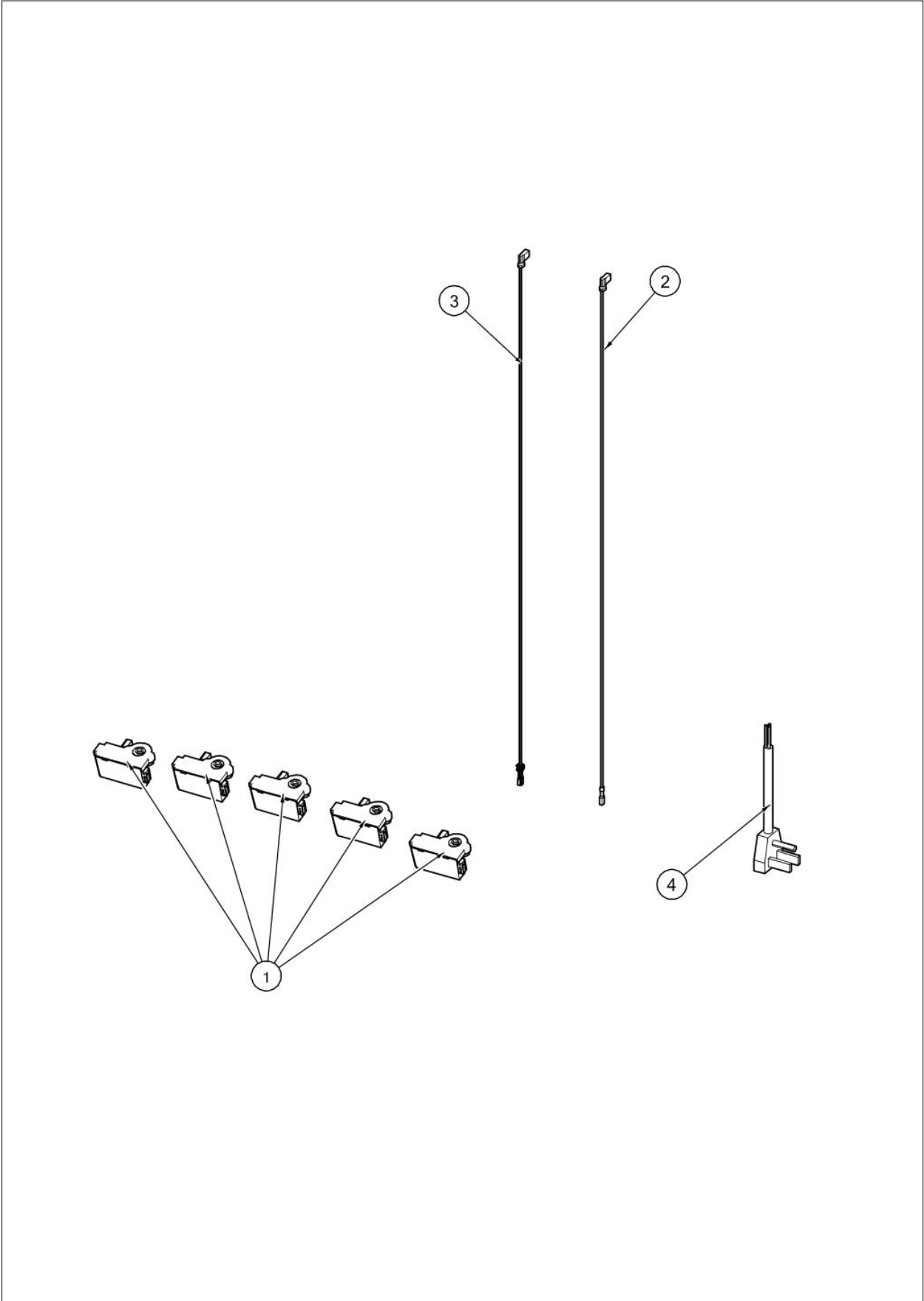






Item	Part No.	Name	Qty	Uom	NOTES
1	052991-000	LH GRATE 30" COOKTOP ASSY	1	EA	
2	052993-000	CENTER GRATE 30" COOKTOP ASSY	1	EA	
3	052995-000	RH GRATE 30" COOKTOP ASSY	1	EA	
4	055345-2575	BRNR PAN, RVGC, 30" W/GRAPHICS	1	EA	
5	PB070320	SILICONE EXTRUSION	5	EA	
6	042162-000	KNOB, SNGL GAS, COOKTOP, BLADE, D3PO, ASSY	5	EA	
7	031430-000	GRATE, FOOT	12	EA	
Not Shown	NOTE	(BEFORE 04/04/16)		EA	
7	051547-000	GRATE FOOT	12	EA	
Not Shown	NOTE	(ON OR AFTER 04/04/16)		EA	

ELECTRICAL 1

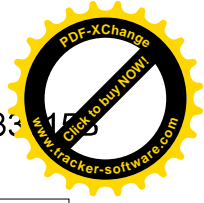
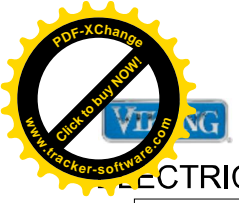




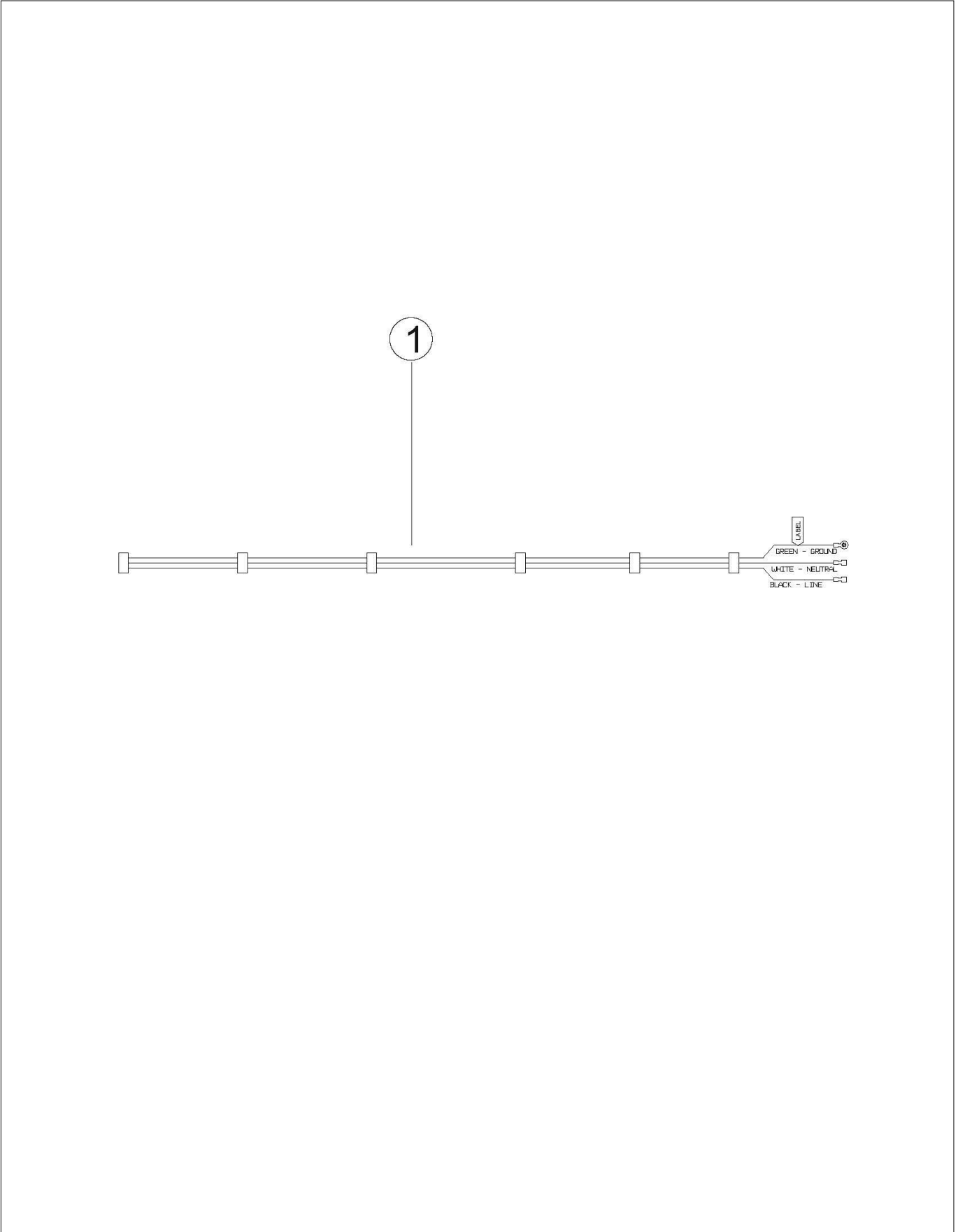
RVGC33153



Item	Part No.	Name	Qty	Uom	NOTES
1	015112-000	MODULE, SPK IRIS COOKTOP	5	EA	
2	000647-000	IRIS IGNITOR WIRE, FRONT BURNER	1	EA	
3	006766-000	IRIS IGNITOR WIRE, BACK BURNER	1	EA	
4	G4007440	SUPPLY CORD ASSY	1	EA	



# ELECTRICAL 2

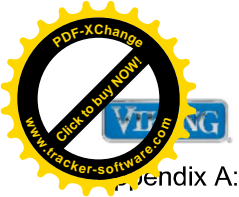




RVGC33153

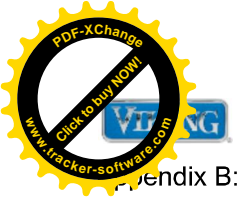


Item	Part No.	Name	Qty	Uom	NOTES
1	PE070890	IRIS HARNESS - 36"	1	EA	



Appendix A:Pages Index

BASE .....	1
DECOR .....	3
ELECTRICAL 1 .....	4
ELECTRICAL 2 .....	5
GAS .....	2



Appendix B: Parts Index

000647-000	4	055432-000	2
003860-000	1, 2	055433-000	2
006766-000	4	058156-000	2
015112-000	4	G4007440	4
019955-000	2	PB070320	3
023883-000	2	PD010012	2
023884-000	2	PD010027	1
031430-000	3	PD020004	2
031576-000	2	PD020005	1
031948-000	1	PD020006	1
032331-00	2	PD030029	1
035645-000	1	PE070069	1
036082-000	1	PE070890	5
036121-000	1		
036559-000	1		
038618-000	1		
042162-000	3		
051547-000	3		
052991-000	3		
052993-000	3		
052995-000	3		
054929-000	1		
054932-000	1		
054933-000	1		
054960-000	2		
054962-000	2		
054963-000	2		
054967-000	2		
054970-000	2		
054971-000	2		
054972-000	2		
054973-000	2		
054975-000	2		
054976-000	2		
054977-000	2		
055269-000	1		
055345-2575	3		
055429-000	2		
055430-000	2		
055431-000	2		