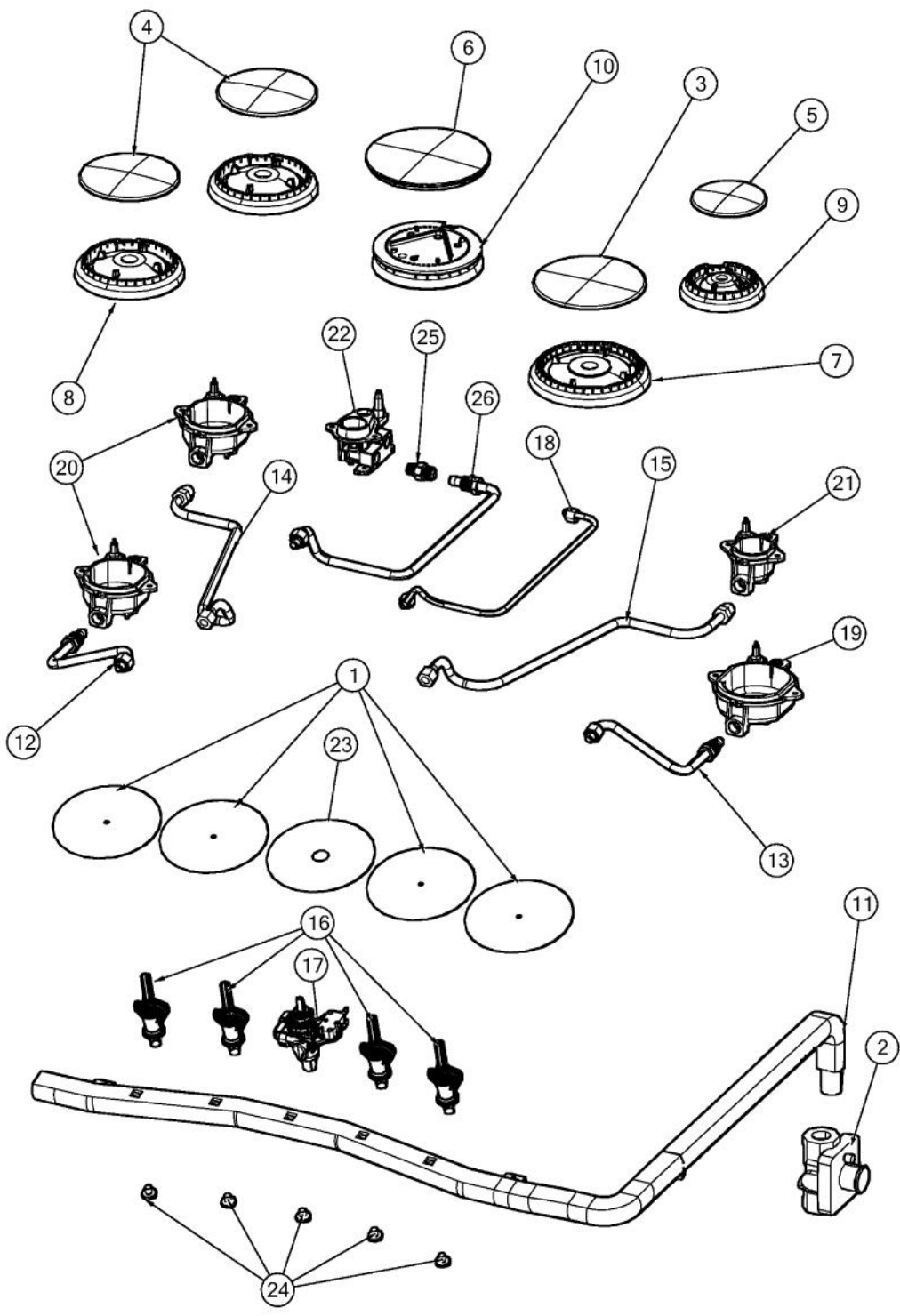


Ref #	Part Number	Qty.	Description
1	031579-000	1	RH BURNER SUPPORT DGSU, D3
2	031580-000	1	LH BURNER SUPPORT DGSU, D3
3	031583-000	1	CENTER BURNER SUPPORT DGSU, D3
4	031933-000	1	SNGL SPARK MODULE MOUNT
5	031948-000	1	D3 VENT SHEILD
6	035645-000	1	INSULATION, SW
7	035956-000	1	D3 30 COOKTOP BURNER BOX
8	036082-000	1	FLUE, CKTP, RH ASSY
9	036121-000	1	FLUE, CKTP, LH ASSY
10	036559-000	4	INSULATION, ELEC
11	A2003053	2	RET.BRKT VGSU101 REPL PG210006
12	PD010027	2	EYE BOLT-VGSU101/161
13	PD030029	2	SELF RETAINING NUT (1/4-20)
14	PE070069	1	STRAIGHT-THRU BUSHING



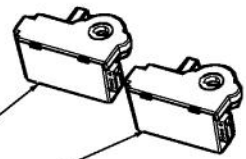
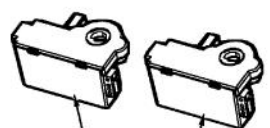
Ref #	Part Number	Qty.	Description
1	019955-000	4	SHIELD, WTR
2	023883-000	1	REGULATOR, PRSS, NAT, 5, DESIGNER
2	023884-000	1	REGULATOR, PRSS, L.P., 10 DESIGNER
3	031412-000	1	BURNER CAP, 18000 BTU
4	031413-000	2	BURNER CAP, 12000 BTU
5	031414-000	1	BURNER CAP, 8000 BTU
6	031415-000	1	BURNER CAP, STACKED
7	031416-000	1	BURNER HEAD, 18000 BTU
8	031417-000	2	BURNER HEAD, 12000 BTU
9	031418-000	1	BURNER HEAD, 8000 BTU
10	031419-000	1	BURNER HEAD, STACKED
11	031576-000	1	D3 GAS COOKTOP MANIFOLD
12	031615-000	1	30 COOKTOP LF BURNER TUBE
13	031616-000	1	30 COOKTOP RF BURNER TUBE
14	031618-000	1	30 COOKTOP LR BURNER TUBE
15	031626-000	1	30 COOKTOP RR BURNER TUBE
16	032331-000	4	SINGLE GAS VALVE
17	032349-000	1	DUAL GAS VALVE
18	032541-000	2	CENTER LOW BURNER TUBE
19	036407-000	1	BNR BASE, ULTRARAPID, CKTP, 12000 BTU, NAT
20	036408-000	2	BNR BASE, RAPID, CKTP, 9100 BTU, NAT
21	036409-000	1	BNR BASE, SEMIRAPID, CKTP, 5000 BTU, NAT
22	036410-000	1	17K STACK JETHOLDER W/0.53MM - 1.88MM INJECTORS
23	036558-000	1	SHIELD, WTR, LRG CNTR HOLE
24	PD010012	5	VALVE BOLT 1/4-20 UNC-2B 5/16 M.S.
25	033202-000	1	STACK BURNER LOW ORIFICE ADAPTER
26	032521-000	1	CENTER HIGH BURNER TUBE

Wiring

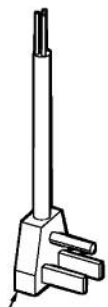
4



3

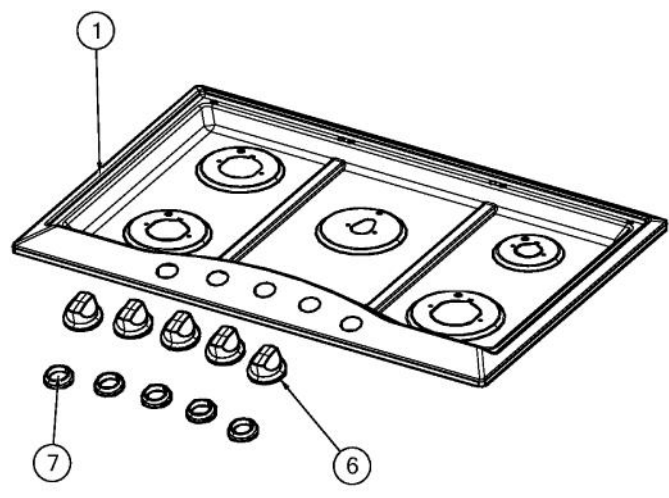
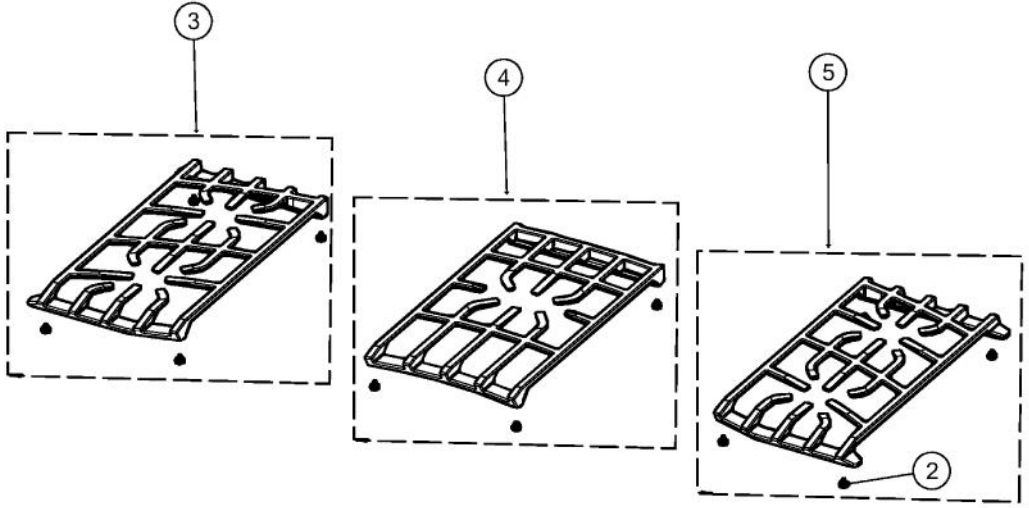


1



2

Ref #	Part Number	Qty.	Description
1	015112-000	4	MODULE, SPK IRIS COOKTOP
2	G4007440	1	SUPPLY CORD ASSY
3	PA020037	1	SINGLE MODULE 120V
4	006766-000	2	IRIS IGNITOR WIRE, BACK BURNER
4	000647-000	2	IRIS IGNITOR WIRE, FRONT BURNER
4	PE070890	1	IRIS HARNESS - 36
4	034731-000	1	HARNESS, WIRE, STACK BURNER



Ref #	Part Number	Qty.	Description
1	031271-000	1	D3 30 COOKTOP
2	031430-000	12	GRATE, FOOT
3	031867-000	1	30 LH GRATE ASM (INCLUDES ITEM NO. 2)
4	031868-000	1	30 CENTER GRATE ASM (INCLUDES ITEM NO. 2)
5	031869-000	1	30 RH GRATE ASM (INCLUDES ITEM NO. 2)
6	042162-000	5	KNOB, SNGL GAS, COOKTOP, BLADE, D3PO, ASSY
7	PB070320	5	SILICONE EXTRUSION