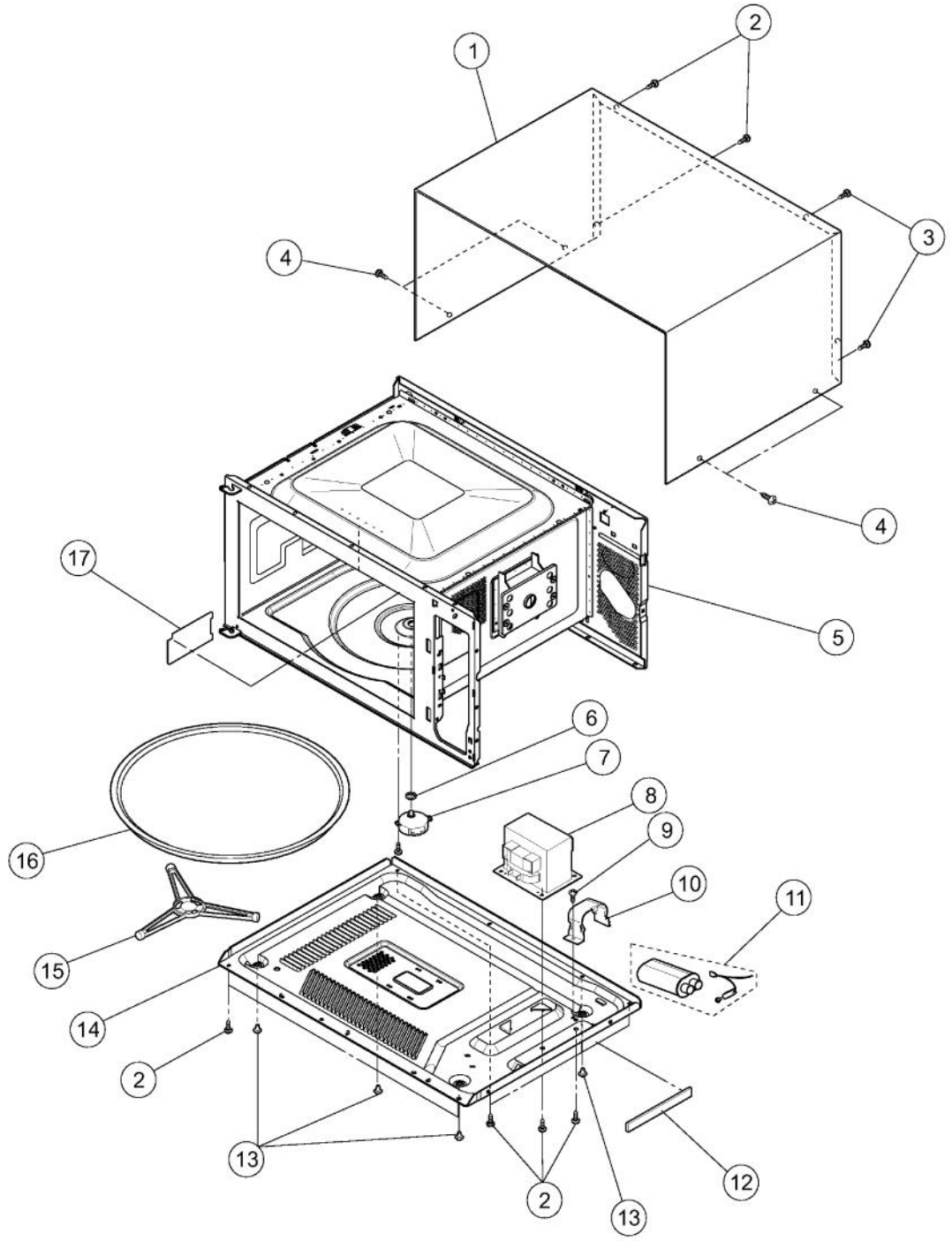
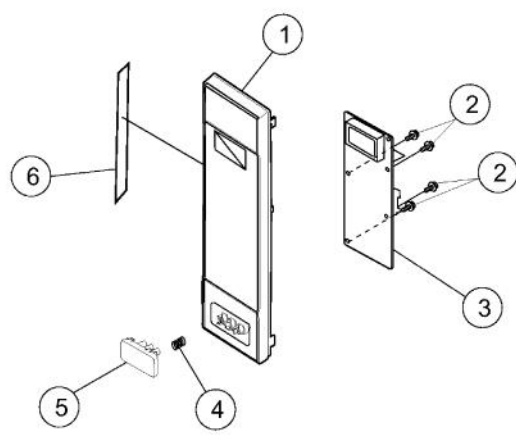


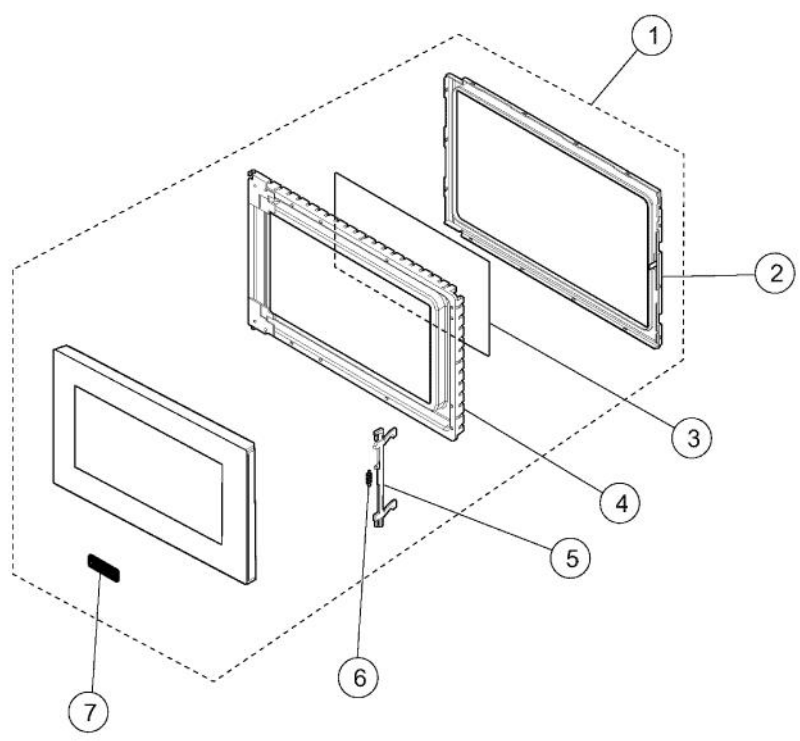
Ref #	Part Number	Qty.	Description
1	019079-000	1	FAN DUCT
2	PM100024	1	FAN MOTOR
3	PM110018	1	FAN BLADE
4	019110-000	1	SCREW 4MM X 12MM
5	019078-000	1	POWER SUPPLY CORD
6	PM120146	3	SCREW : 4MM X 12MM
7	PM100085	1	NOISE FILTER
8	019111-000	2	SCREW
9	019070-000	1	MONITOR SWITCH AND C/T FUSE
10	019069-000	1	CHASSIS SUPPORT
11	PM120033	3	SCREW ; CONTROL PANEL MTG.
12	019111-000	1	SCREW
13	019067-000	1	OVEN LAMP
14	019080-000	1	MAGNETRON
15	019077-000	1	MAGNETRON DUCT
16	PM120002	4	SPECIAL SCREW
17	019070-000	1	MONITOR SWITCH AND C/T FUSE
18	PM100019	3	INTERLOCK SWITCH
19	PM120014	1	LATCH HOOK
20	PM120006	1	SWITCH LEVER
21	PM120034	1	MONITOR CAUTION LABEL
22	019087-000	1	CUSHION
23	PM120003	3	SCREW
24	NON REPLACEABLE	1	OVEN CAVITY, 36 (G30014040)
25	019081-000	1	SENSOR DUCT
26	019066-000	1	AH SENSOR
27	PM100017	1	CAVITY TEMPERATURE FUSE 150+C
NI	019103-000	1	MAIN WIRE HARNESS



Ref #	Part Number	Qty.	Description
1	019088-000	1	OUTER CASE CABINET
2	PM120146	24	SCREW : 4MM X 12MM
3	PM120005	2	SCREW
4	004871-000	4	SCREW : 4MM X 12MM
5	NON REPLACEABLE	1	OVEN CAVITY, 36 (G30014040)
6	PM120015	1	TURNTABLE MOTOR PACKING
7	PM100069	1	TURNTABLE MOTOR
8	019082-000	1	POWER TRANSFORMER
9	PM120002	5	SPECIAL SCREW
10	PM100013	1	H.V. CAPACITOR BAND
11	019065-000	1	H.V. CAPACITOR BAND ASSEMBLY
12	019086-000	1	MAG CUSHION
13	PM110010	4	FOOT
14	PM110009	1	BASE PLATE
15	PM110006	1	TURNTABLE SUPPORT
16	019106-000	1	TURNTABLE TRAY
17	010888-000	1	WAVEGUIDE COVER



Ref #	Part Number	Qty.	Description
1	019090-000	1	CONTROL PANEL FRAME W/KEY UNIT
2	004871-000	4	SCREW : 4MM X 12MM
3	019089-000	1	CONTROL UNIT
4	PM120044	1	OPEN BUTTON SPRING
5	019091-000	1	OPEN BUTTON
6	PM120021	1	USER CAUTION LABEL



Ref #	Part Number	Qty.	Description
1	019101-000	1	DOOR ASSEMBLY
2	019102-000	1	CHOKE COVER
3	PM120016	1	SEALER FILM
4	PM110005	1	DOOR PANEL
5	PM120001	1	LATCH HEAD
6	PM120007	1	LATCH SPRING
7	041991-000	1	NAMEPLATE, VIKING, 2.750