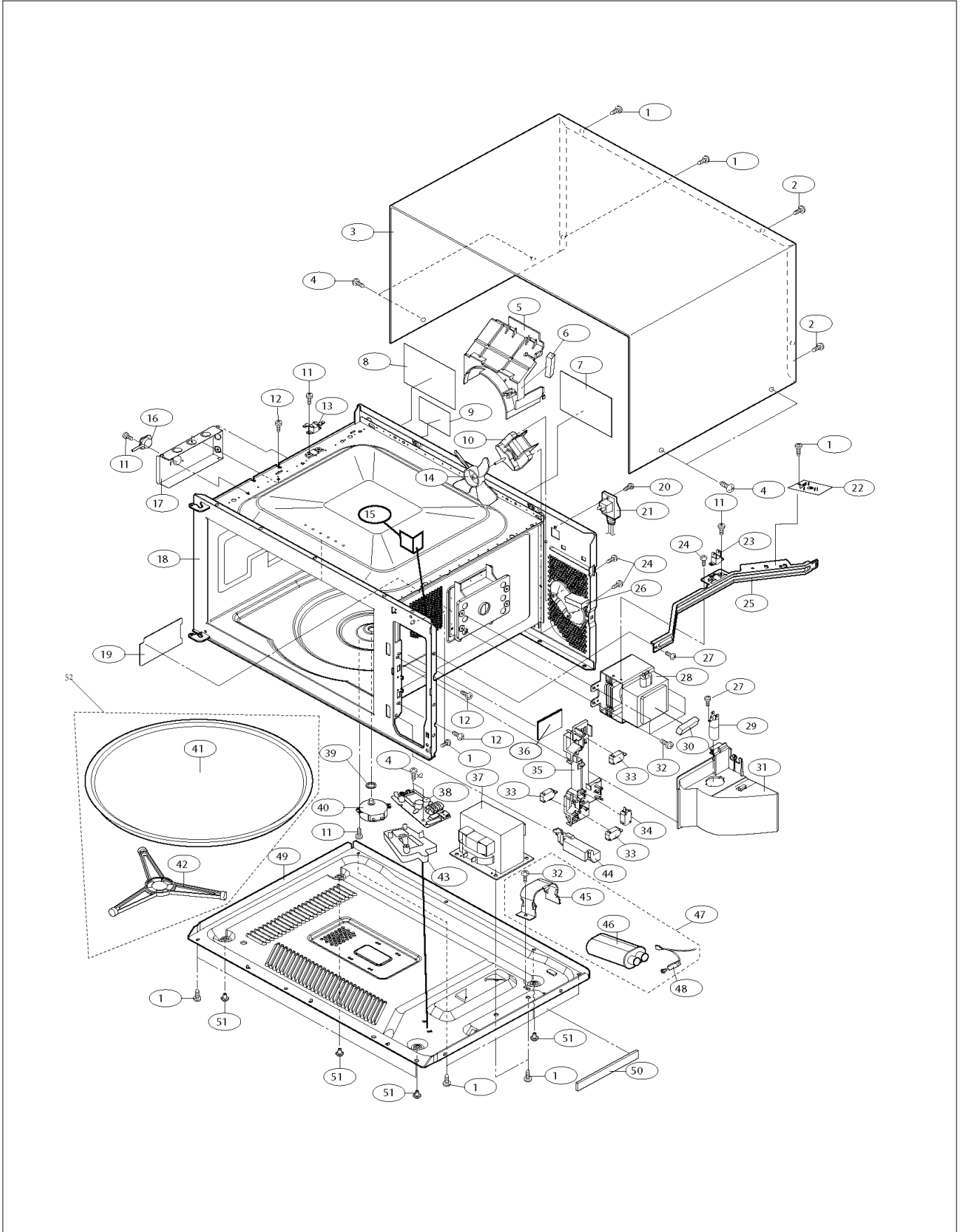


# **RVM320SSTY**

|   |   |
|---|---|
| RVM320SSTY Oven and Cabinet Parts ..... | 1 |
| RVM320SSTY Miscellaneous .....          | 2 |
| RVM320SSTY Door Parts .....             | 3 |
| RVM320SSTY Control Panel .....          | 4 |
| Appendix A:Pages Index .....            | A |
| Appendix B:Parts Index .....            | B |

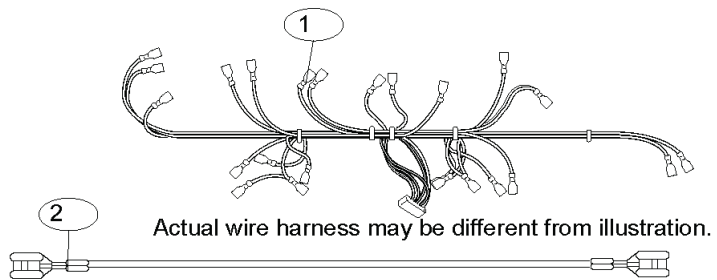
RVM320SSTY Oven and Cabinet Parts



| Item | Part No.                  | Name                                    | Qty | Uom | NOTES |
|------|---------------------------|---|-----|-----|-------|
| 1    | 011843-000                | SCREW : 4MM X 12MM                      | 24  | EA  |       |
| 2    | PM120005                  | SCREW                                   | 2   | EA  |       |
| 3    | 065583-000                | Outer case cabinet                      | 1   | EA  |       |
| 4    | 022262-000                | SCREW; 3MM X 10MM                       | 6   | EA  |       |
| 5    | 065220-000                | Fan duct                                | 1   | EA  |       |
| 6    | 065587-000                | Cushion                                 | 1   | EA  |       |
| 7    | 065225-000                | DHHS/Screw caution label                | 1   | EA  |       |
| 8    | 028757-000                | HWC CAUTION LABEL                       | 1   | EA  |       |
| 9    | 065304-000                | UL screw label                          | 1   | EA  |       |
| 10   | 065214-000                | Fan motor                               | 1   | EA  |       |
| 11   | 019111-000                | SCREW                                   | 2   | EA  |       |
| 12   | PM120003                  | SCREW                                   | 3   | EA  |       |
| 13   | PM100017                  | CAVITY TEMPERATURE FUSE<br>150+C        | 1   | EA  |       |
| 14   | 065219-000                | Fan blade                               | 1   | EA  |       |
| 15   | 065591-000                | C/P cavity cushion                      | 1   | EA  |       |
| 16   | 067605-000                | AH sensor                               | 1   | EA  |       |
| 17   | 028753-000                | SENSOR DUCT                             | 1   | EA  |       |
| 18   | NOT A REPLACEABLE<br>PART | Oven cavity (Not a replaceable<br>part) | 1   | EA  |       |
| 19   | 028768-000                | WAVEGUIDE COVER                         | 1   | EA  |       |
| 20   | 019110-000                | SCREW 4MM X 12MM                        | 1   | EA  |       |
| 21   | PM100002                  | POWER CORD                              | 1   | EA  |       |
| 22   | 065213-000                | Noise filter                            | 1   | EA  |       |
| 23   | 065215-000                | C/T fuse                                | 1   | EA  |       |
| 24   | PM120033                  | SCREW ; CONTROL PANEL<br>MTG.           | 3   | EA  |       |
| 25   | 028759-000                | CHASSIS SUPPORT                         | 1   | EA  |       |
| 26   | 065590-000                | Fan motor cushion                       | 1   | EA  |       |
| 27   | 019111-000                | SCREW                                   | 1   | EA  |       |
| 28   | 063768-000                | MAGNETRON                               | 1   | EA  |       |
| 29   | PM100065                  | LIGHT BULB                              | 1   | EA  |       |
| 30   | 065589-000                | Mag cushion                             | 1   | EA  |       |
| 31   | 028761-000                | MAGNETRON DUCT                          | 1   | EA  |       |

| Item   | Part No.   | Name                            | Qty | Uom | NOTES |
|--|------------|---------------------------------|-----|-----|-------|
| 32   | PM120002   | SPECIAL SCREW                   | 5   | EA  |       |
| 33   | 062583-000 | SECONDARY/THIRD/STOP SWITCH     | 3   | EA  |       |
| 34   | 063005-000 | SWITCH                          | 1   | EA  |       |
| 35   | 057735-000 | LATCH HOOK                      | 1   | EA  |       |
| 36   | 065595-000 | Monitor caution label           | 1   | EA  |       |
| 37   | 019082-000 | POWER TRANSFORMER               | 1   | EA  |       |
| 38   | 065174-000 | Switching power supply          | 1   | EA  |       |
| 39   | 028725-000 | TURNTABLE MOTOR PACKING         | 1   | EA  |       |
| 40   | PM100069   | TURNTABLE MOTOR                 | 1   | EA  |       |
| 41   | 076055-000 | TURNTABLE TRAY                  | 1   | EA  |       |
| Not Shown  | NOTE       | (ON OR AFTER SERIAL 003639)     |     | EA  |       |
| 42   | 076056-000 | TURNTABLE SUPPORT               | 1   | EA  |       |
| Not Shown  | NOTE       | (ON OR AFTER SERIAL 003639)     |     | EA  |       |
| 43   | 065221-000 | PWB holder                      | 1   | EA  |       |
| 44   | PM120006   | SWITCH LEVER                    | 1   | EA  |       |
| 45   | 028724-000 | H.V. CAPACITOR BAND             | 1   | EA  |       |
| 46   | 028723-000 | HIGH VOLTAGE CAPACITOR          | 1   | EA  |       |
| 47   | 019065-000 | H.V. CAPACITOR BAND ASSEMBLY    | 1   | EA  |       |
| Comments for Part Num. 019065-000<br><br>bradleysapplianceservice@shaw.ca on Jun 7, 2016<br>06/07/2016: JUST RECEIVED THIS PART AND IT DIDN'T COME WITH THE DIODE AS SHOWN IN THE BREAKDOWN. ONLY CAME AS A CAPACTOR WITH NOTHING ELSE<br>IF DIODE IS ALSO REQUIRED, ORDER: 028722-000 HIGH VOLTAGE RECIFIER / DIODE |            |                                 |     |     |       |
| 48   | 065212-000 | High voltage rectifier assembly | 1   | EA  |       |
| 49   | 065216-000 | Base plate                      | 1   | EA  |       |
| 50   | 065588-000 | Cushion                         | 1   | EA  |       |
| 51   | 028728-000 | FOOT                            | 4   | EA  |       |
| 52   | 077696-000 | TURNTABLE TRAY AND SUPPORT KIT  | 1   | EA  |       |
| Not Shown  | NOTE       | (BEFORE SERIAL 003639)          |     | EA  |       |

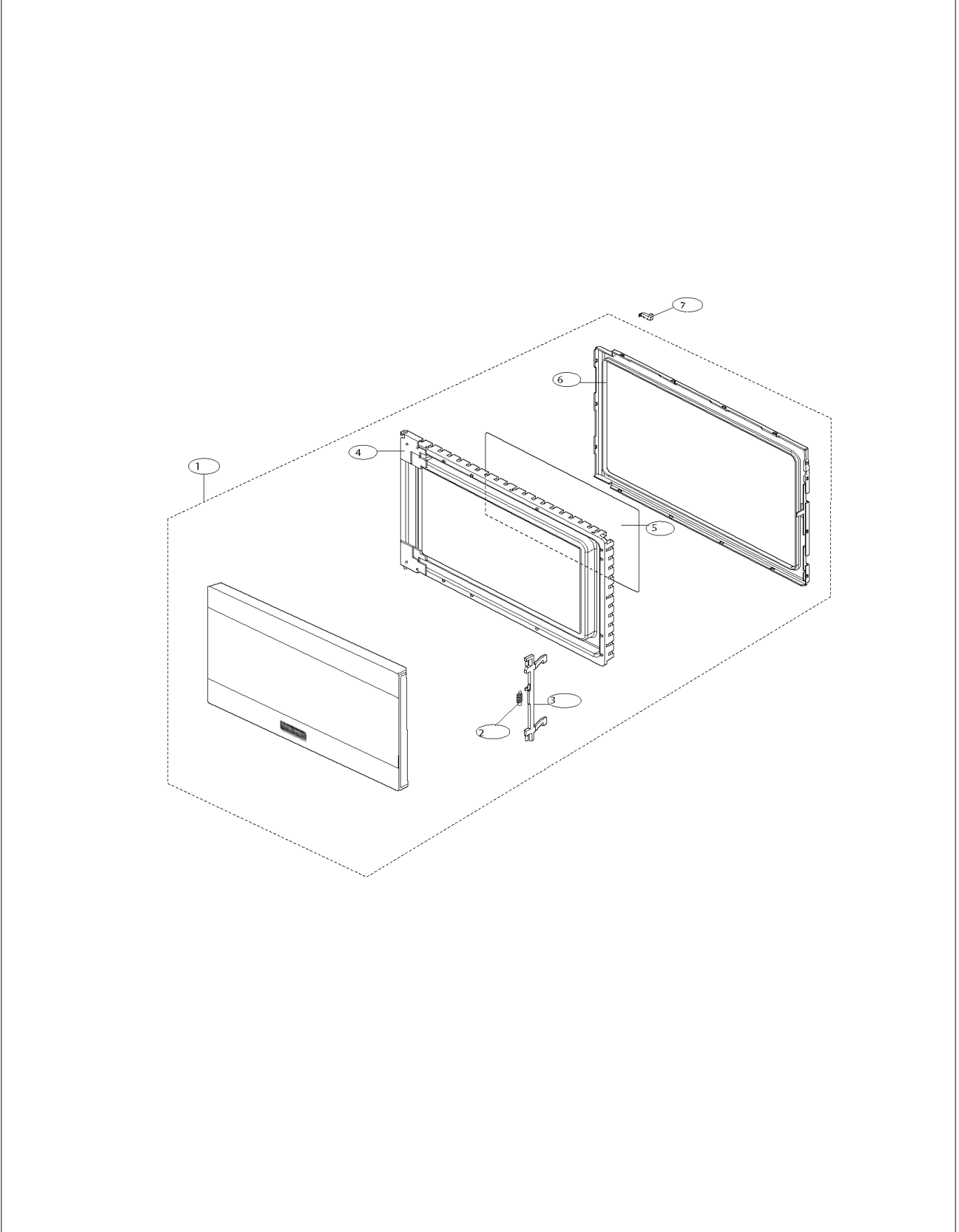
RVM320SSTY Miscellaneous





| Item | Part No.   | Name                | Qty | Uom | NOTES |
|------|------------|---------------------|-----|-----|-------|
| 1    | 067607-000 | Main wire harness   | 1   | EA  |       |
| 2    | 028796-000 | HIGH VOLTAGE WIRE A | 1   | EA  |       |

RVM320SSTY Door Parts

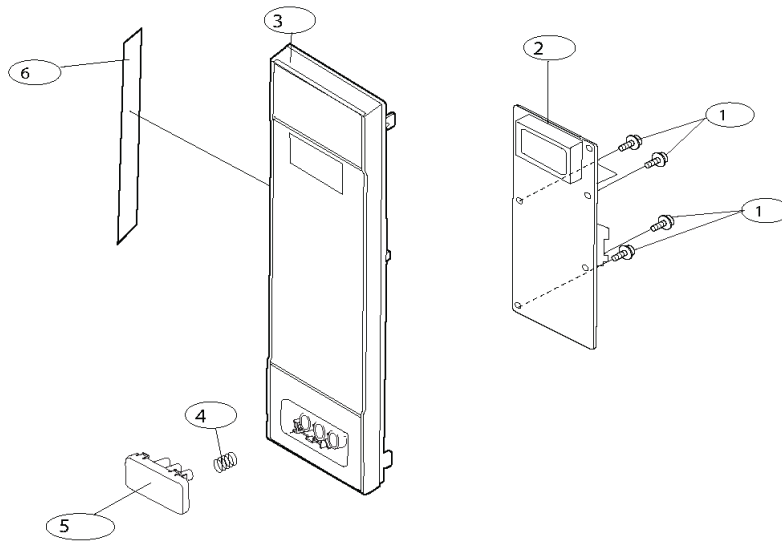






| Item | Part No.   | Name             | Qty | Uom | NOTES  |
|------|------------|------------------|-----|-----|--|
| 1    | 065592-000 | Door assembly    | 1   | EA  |  |
| 2    | PM120007   | LATCH SPRING     | 1   | EA  |  |
| 3    | 022272-000 | LATCH HEAD       | 1   | EA  |  |
| 4    | PM110005   | INNER DOOR PANEL | 1   | EA  |  |
| 5    | PM120016   | SEALER FILM      | 1   | EA  |  |
| 6    | 019102-000 | CHOKE COVER      | 1   | EA  | Not available online / Call for pricing and availability |
| 7    | 065593-000 | Door stopper     | 1   | EA  |  |

RVM320SSTY Control Panel





| Item | Part No.   | Name                              | Qty | Uom | NOTES |
|------|------------|-----------------------------------|-----|-----|-------|
| 1    | 022383-000 | SCREW                             | 4   | EA  |       |
| 2    | 067614-000 | Control unit                      | 1   | EA  |       |
| 3    | 065585-000 | Control panel frame with key unit | 1   | EA  |       |
| 4    | PM120044   | OPEN BUTTON SPRING                | 1   | EA  |       |
| 5    | 065586-000 | Open button                       | 1   | EA  |       |
| 6    | 065413-000 | User caution label                | 1   | EA  |       |



Appendix A:Pages Index

|   |   |
|---|---|
| RVM320SSTY Control Panel .....          | 4 |
| RVM320SSTY Door Parts .....             | 3 |
| RVM320SSTY Miscellaneous .....          | 2 |
| RVM320SSTY Oven and Cabinet Parts ..... | 1 |



Appendix B:Parts Index

|            |            |                        |         |
|------------|------------|------------------------|---------|
| 011843-000 | ..... 1    | 065589-000             | ..... 1 |
| 019065-000 | ..... 1    | 065590-000             | ..... 1 |
| 019082-000 | ..... 1    | 065591-000             | ..... 1 |
| 019102-000 | ..... 3    | 065592-000             | ..... 3 |
| 019110-000 | ..... 1    | 065593-000             | ..... 3 |
| 019111-000 | ..... 1, 1 | 065595-000             | ..... 1 |
| 022262-000 | ..... 1    | 067605-000             | ..... 1 |
| 022272-000 | ..... 3    | 067607-000             | ..... 2 |
| 022383-000 | ..... 4    | 067614-000             | ..... 4 |
| 028723-000 | ..... 1    | 076055-000             | ..... 1 |
| 028724-000 | ..... 1    | 076056-000             | ..... 1 |
| 028725-000 | ..... 1    | 077696-000             | ..... 1 |
| 028728-000 | ..... 1    | NOT A REPLACEABLE PART | ..... 1 |
| 028753-000 | ..... 1    | PM100002               | ..... 1 |
| 028757-000 | ..... 1    | PM100017               | ..... 1 |
| 028759-000 | ..... 1    | PM100065               | ..... 1 |
| 028761-000 | ..... 1    | PM100069               | ..... 1 |
| 028768-000 | ..... 1    | PM110005               | ..... 3 |
| 028796-000 | ..... 2    | PM120002               | ..... 1 |
| 057735-000 | ..... 1    | PM120003               | ..... 1 |
| 062583-000 | ..... 1    | PM120005               | ..... 1 |
| 063005-000 | ..... 1    | PM120006               | ..... 1 |
| 063768-000 | ..... 1    | PM120007               | ..... 3 |
| 065174-000 | ..... 1    | PM120016               | ..... 3 |
| 065212-000 | ..... 1    | PM120033               | ..... 1 |
| 065213-000 | ..... 1    | PM120044               | ..... 4 |
| 065214-000 | ..... 1    |                        |         |
| 065215-000 | ..... 1    |                        |         |
| 065216-000 | ..... 1    |                        |         |
| 065219-000 | ..... 1    |                        |         |
| 065220-000 | ..... 1    |                        |         |
| 065221-000 | ..... 1    |                        |         |
| 065225-000 | ..... 1    |                        |         |
| 065304-000 | ..... 1    |                        |         |
| 065413-000 | ..... 4    |                        |         |
| 065583-000 | ..... 1    |                        |         |
| 065585-000 | ..... 4    |                        |         |
| 065586-000 | ..... 4    |                        |         |
| 065587-000 | ..... 1    |                        |         |
| 065588-000 | ..... 1    |                        |         |