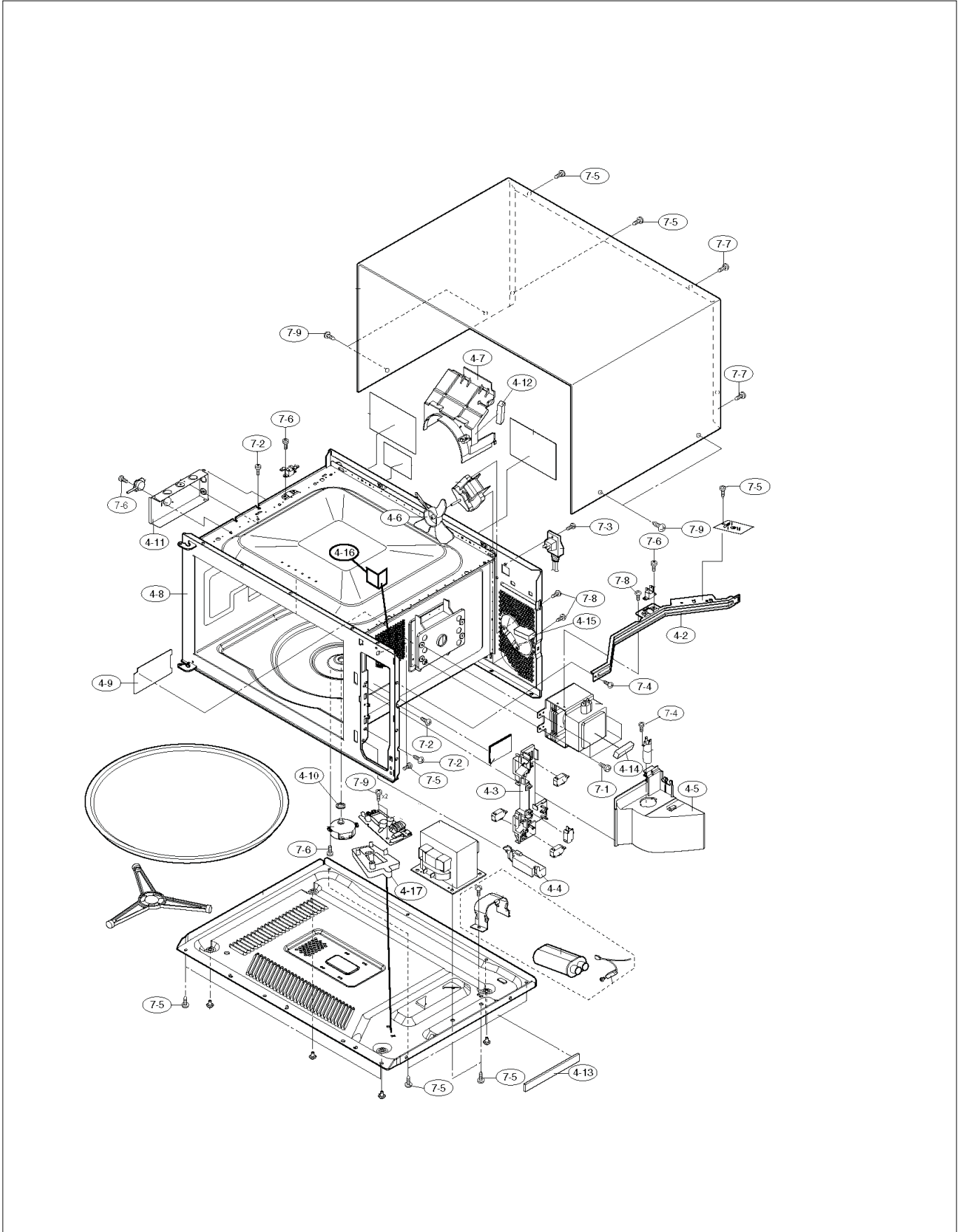


RVM320SSY

MICROWAVE OVEN

RVM320SSY Oven Parts	1
RVM320SSY Miscellaneous Parts	2
RVM320SSY Electric Parts	3
RVM320SSY Door Parts	4
RVM320SSY Control Panel	5
RVM320SSY Cabinet Parts	6
Appendix A:Pages Index	A
Appendix B:Parts Index	B

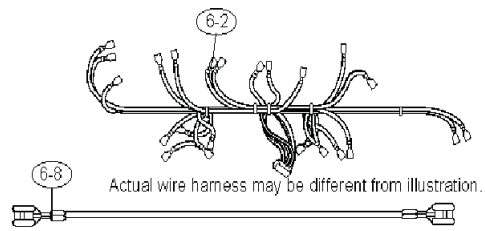
RVM320SSY Oven Parts





Item	Part No.	Name	Qty	Uom	NOTES
1	PM120146	SCREW : 4MM X 12MM	24	EA	
2	PM120005	SCREW	2	EA	
3	022262-000	SCREW; 3MM X 10MM	6	EA	
4	065220-000	Fan duct	1	EA	
5	065587-000	Cushion	1	EA	
6	019110-000	SCREW 4MM X 12MM	1	EA	
7	019111-000	SCREW	2	EA	
8	PM120033	SCREW ; CONTROL PANEL MTG.	3	EA	
9	PM120003	SCREW	3	EA	NO LONGER AVAILABLE
10	065219-000	Fan blade	1	EA	
11	065590-000	Fan motor cushion	1	EA	
12	028759-000	CHASSIS SUPPORT	1	EA	
13	019111-000	SCREW	1	EA	
14	065591-000	C/P cavity cushion	1	EA	
15	028753-000	SENSOR DUCT	1	EA	
16	N/A	Oven cavity (Not a replaceable part)	1	EA	
17	028768-000	WAVEGUIDE COVER	1	EA	
18	028725-000	TURNTABLE MOTOR PACKING	1	EA	
19	065589-000	Mag cushion	1	EA	
20	PM120002	SPECIAL SCREW	5	EA	
21	028761-000	MAGNETRON DUCT	1	EA	
22	057735-000	LATCH HOOK	1	EA	
23	PM120006	SWITCH LEVER	1	EA	
24	065221-000	PWB holder	1	EA	
25	065588-000	Cushion	1	EA	

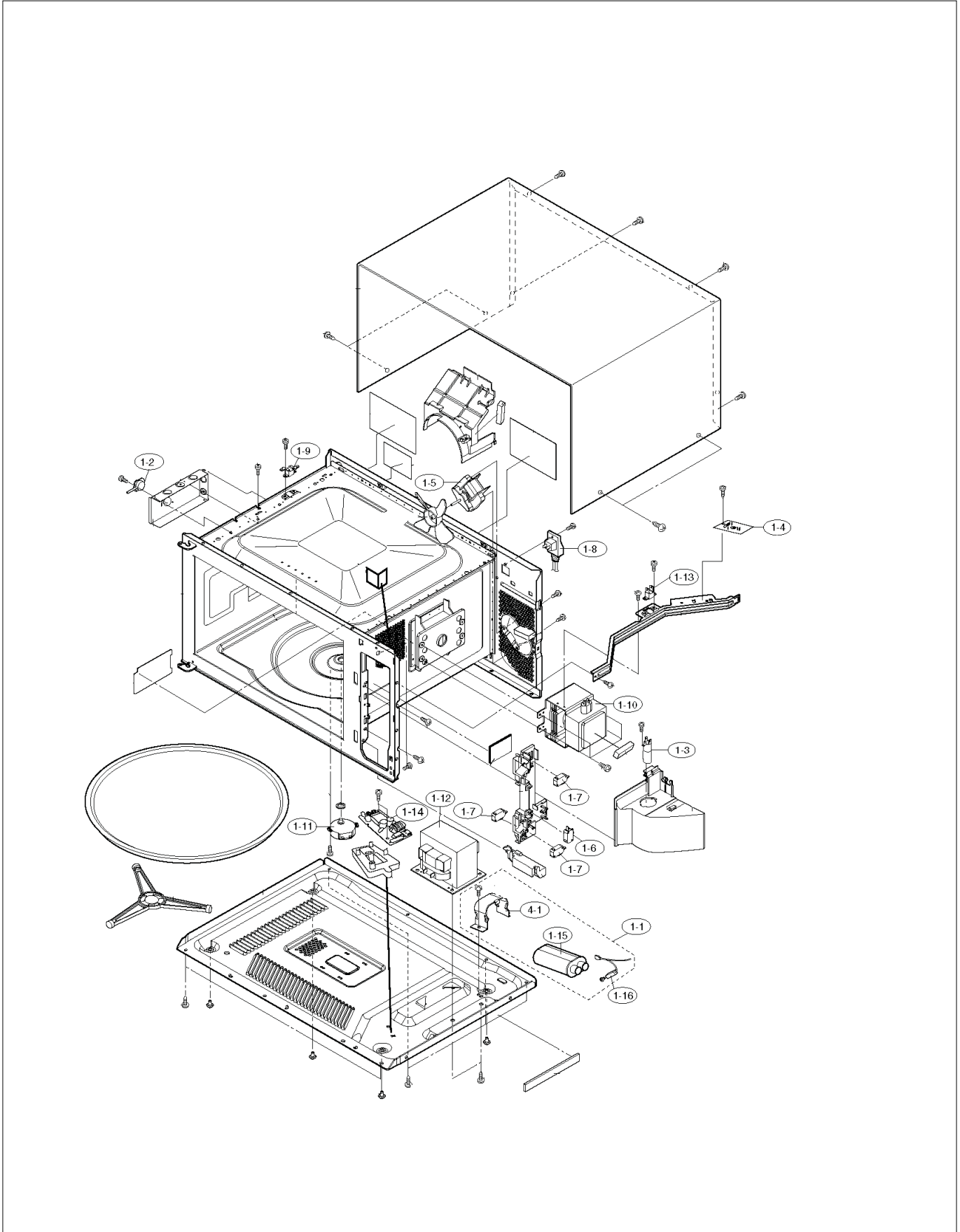
RVM320SSY Miscellaneous Parts





Item	Part No.	Name	Qty	Uom	NOTES
1	065223-000	Main wire harness	1	EA	
2	028796-000	HIGH VOLTAGE WIRE A	1	EA	

RVM320SSY Electric Parts





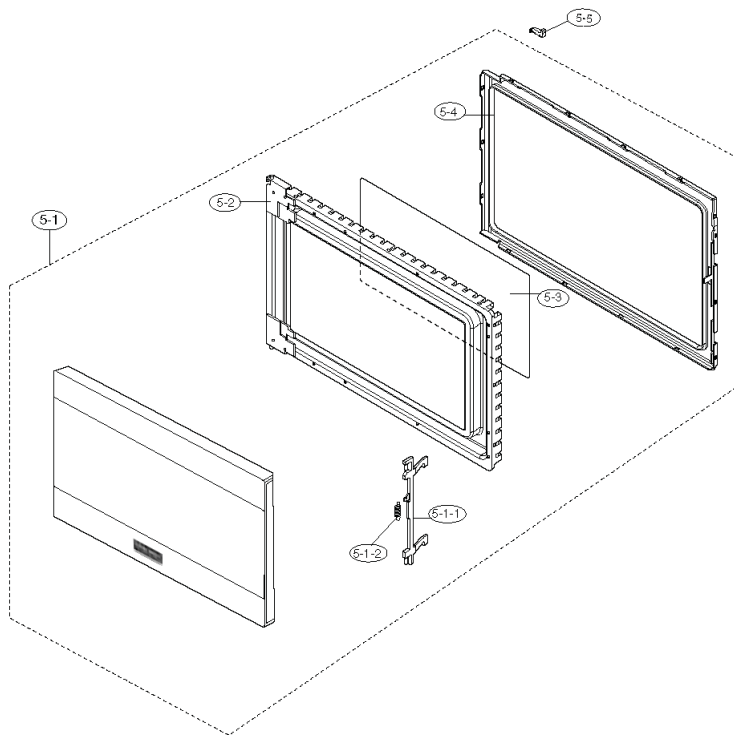
Item	Part No.	Name	Qty	Uom	NOTES
1	022216-000	AH SENSOR	1	EA	
2	PM100017	CAVITY TEMPERATURE FUSE 150+C	1	EA	
3	065214-000	Fan motor	1	EA	
4	PM100002	POWER CORD	1	EA	
5	065215-000	C/T fuse	1	EA	
6	065213-000	Noise filter	1	EA	
7	019080-000	MAGNETRON	1	EA	
8	PM100065	LIGHT BULB	1	EA	
9	062583-000	SECONDARY/THIRD/STOP SWITCH	3	EA	
10	063005-000	SWITCH	1	EA	
11	019082-000	POWER TRANSFORMER	1	EA	
12	065174-000	Switching power supply	1	EA	
13	PM100069	TURNTABLE MOTOR	1	EA	
14	028724-000	H.V. CAPACITOR BAND	1	EA	
15	028723-000	HIGH VOLTAGE CAPACITOR	1	EA	
16	065212-000	High voltage rectifier assembly	1	EA	
17	019065-000	H.V. CAPACITOR BAND ASSEMBLY	1	EA	

Comments for Part Num. 019065-000

bradleysapplianceservice@shaw.ca on Jun 7, 2016

06/07/2016: JUST RECEIVED THIS PART AND IT DIDN'T COME WITH THE DIODE AS SHOWN IN THE
BREAKDOWN. ONLY CAME AS A CAPACTOR WITH NOTHING ELSE
IF DIODE IS ALSO REQUIRED, ORDER: 028722-000 HIGH VOLTAGE RECIFIER / DIODE

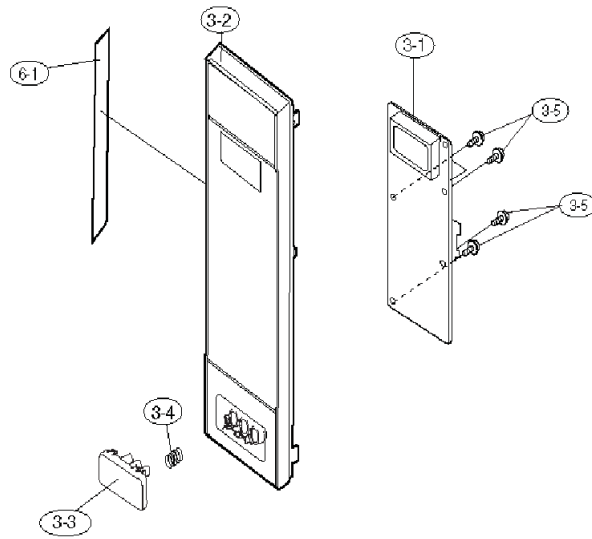
RVM320SSY Door Parts





Item	Part No.	Name	Qty	Uom	NOTES
1	065592-000	Door assembly	1	EA	
2	022272-000	LATCH HEAD	1	EA	
3	PM120007	LATCH SPRING	1	EA	
4	PM110005	INNER DOOR PANEL	1	EA	
5	PM120016	SEALER FILM	1	EA	
6	019102-000	CHOKE COVER	1	EA	Not available online / Call for pricing and availability
7	065593-000	Door stopper	1	EA	

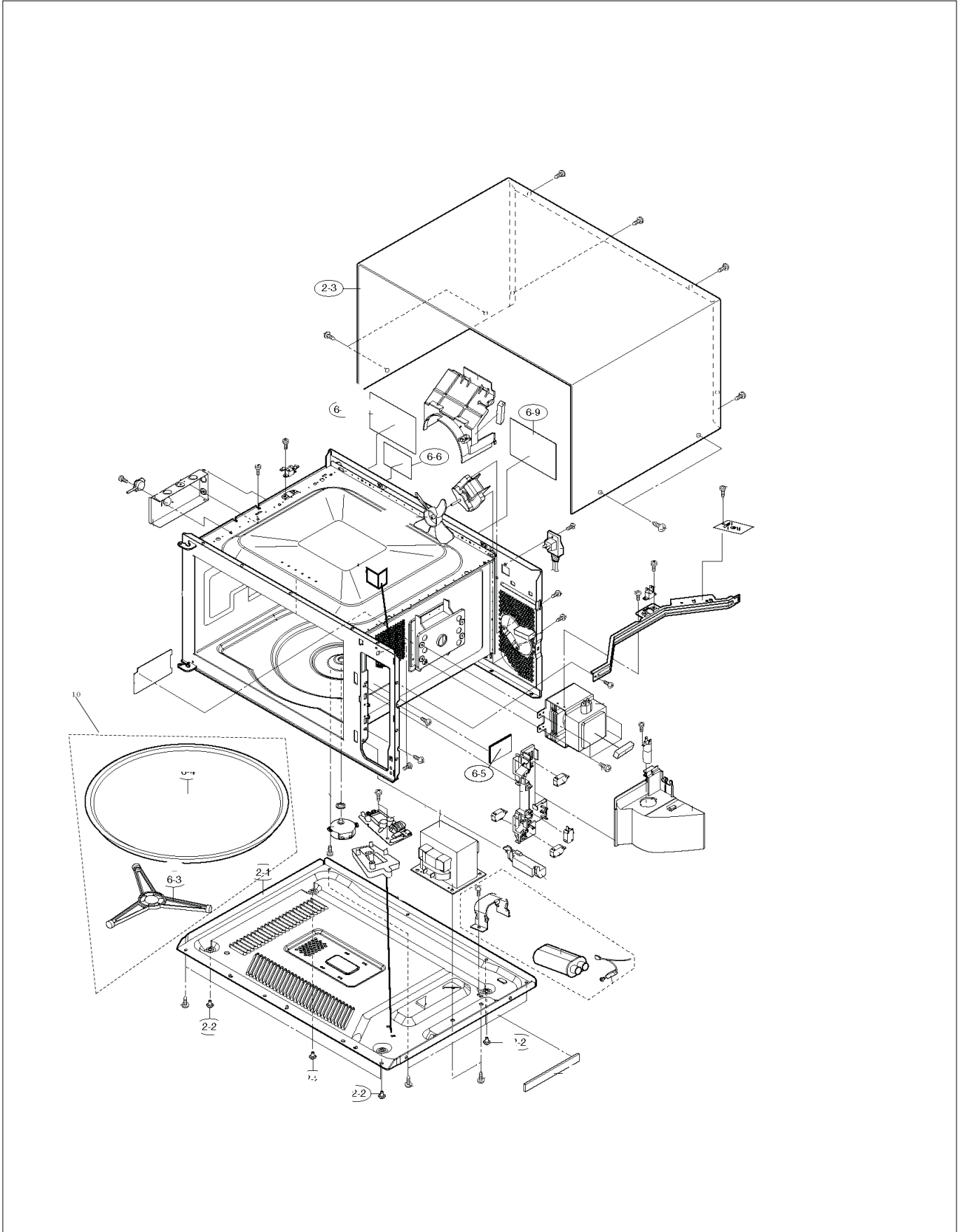
RVM320SSY Control Panel





Item	Part No.	Name	Qty	Uom	NOTES
1	065585-000	Control panel frame with key unit	1	EA	
2	PM120021	USER CAUTION LABEL	1	EA	NO LONGER AVAILABLE
3	065586-000	Open button	1	EA	
4	PM120044	OPEN BUTTON SPRING	1	EA	
5	065584-000	Control unit	1	EA	
6	022383-000	SCREW	4	EA	

RVM320SSY Cabinet Parts





Item	Part No.	Name	Qty	Uom	NOTES
1	065583-000	Outer case cabinet	1	EA	
2	022237-000	NHW CAUTION LABEL	1	EA	Not available online / Call for pricing and availability
3	005196-000	GND CAUTION LABEL	1	EA	NO LONGER AVAILABLE, Not available online / Call for pricing and availability
4	PM120073	LABEL	1	EA	NO LONGER AVAILABLE, Not available online / Call for pricing and availability
5	N/A	Turntable tray	1	EA	
Not Shown	NOTE	(ORDER ITEM 10)		EA	
6	N/A	TURNTABLE SUPPORT	1	EA	
Not Shown	NOTE	(ORDER ITEM 10)		EA	
7	065216-000	Base plate	1	EA	
8	065595-000	Monitor caution label	1	EA	
9	028728-000	FOOT	4	EA	
10	077696-000	TURNTABLE TRAY AND SUPPORT KIT	1	EA	



Appendix A:Pages Index

RVM320SSY Cabinet Parts 6
RVM320SSY Control Panel 5
RVM320SSY Door Parts 4
RVM320SSY Electric Parts 3
RVM320SSY Miscellaneous Parts 2
RVM320SSY Oven Parts 1



Appendix B:Parts Index

005196-000	6	065589-000	1
019065-000	3	065590-000	1
019080-000	3	065591-000	1
019082-000	3	065592-000	4
019102-000	4	065593-000	4
019110-000	1	065595-000	6
019111-000	1, 1	077696-000	6
022216-000	3	PM100002	3
022237-000	6	PM100017	3
022262-000	1	PM100065	3
022272-000	4	PM100069	3
022383-000	5	PM110005	4
028723-000	3	PM120002	1
028724-000	3	PM120003	1
028725-000	1	PM120005	1
028728-000	6	PM120006	1
028753-000	1	PM120007	4
028759-000	1	PM120016	4
028761-000	1	PM120021	5
028768-000	1	PM120033	1
028796-000	2	PM120044	5
057735-000	1	PM120073	6
062583-000	3	PM120146	1
063005-000	3		
065174-000	3		
065212-000	3		
065213-000	3		
065214-000	3		
065215-000	3		
065216-000	6		
065219-000	1		
065220-000	1		
065221-000	1		
065223-000	2		
065583-000	6		
065584-000	5		
065585-000	5		
065586-000	5		
065587-000	1		
065588-000	1		