

**RVRF3361SS0**

36" WIDE FRENCH DOOR BOTTOM FREEZER SS

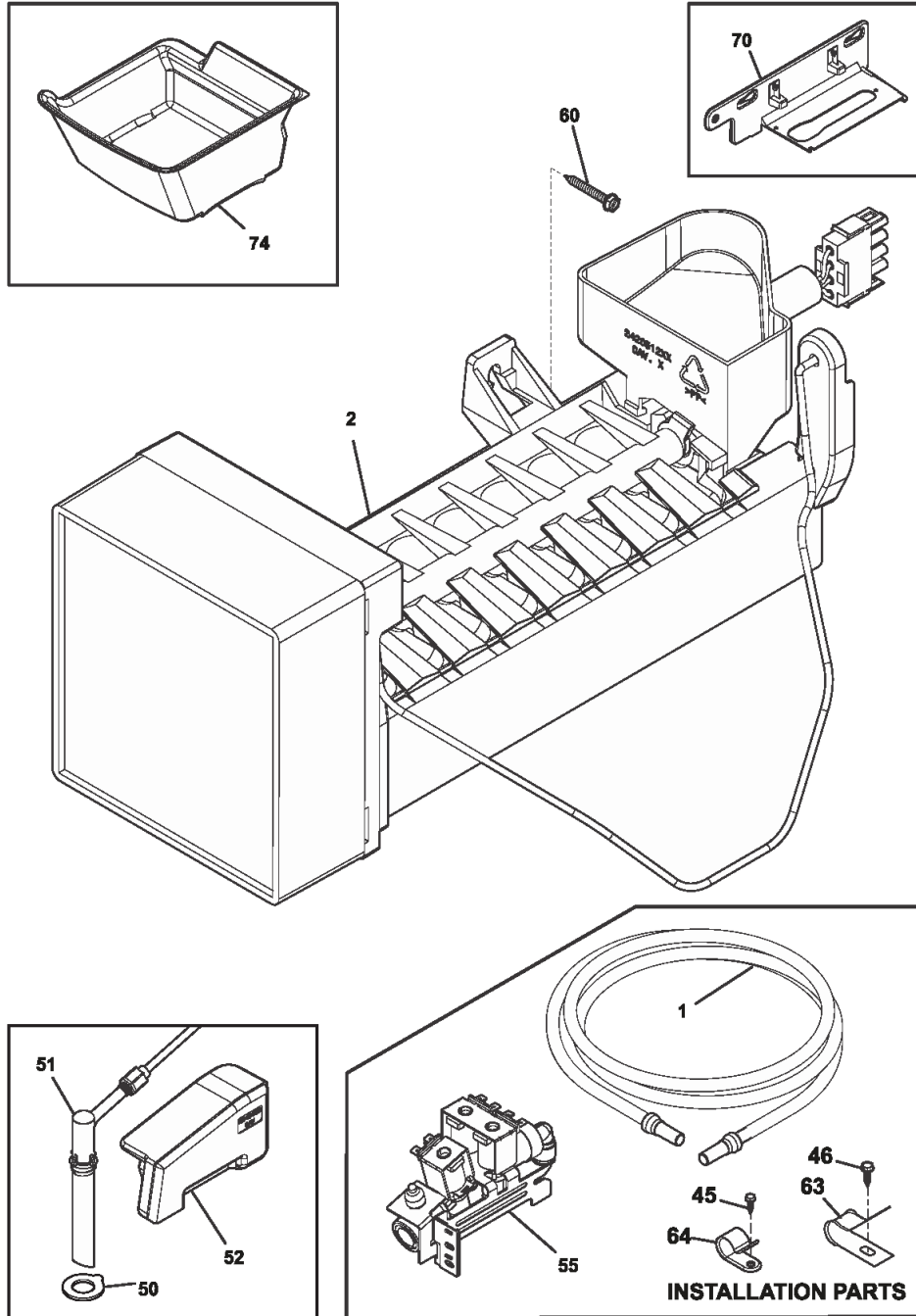
RVRF3361SS Icemaker .....	1
RVRF3361SS Controls .....	2
RVRF3361SS Cooling System .....	3
RVRF3361SS Shelves .....	4
RVRF3361SS Cabinet .....	5
RVRF3361SS Fresh Food Door .....	6
RVRF3361SS Freezer Drawer and Baskets .....	7
Appendix A:Pages Index .....	A
Appendix B:Parts Index .....	B

RVRF3361SS Icemaker

Publication No: 5995687000

RVRF3361SS0

ICE MAKER



INSTALLATION PARTS

I7FI23RC32SS0

04/17

14



Item	Part No.	Name	Qty	Uom	NOTES
1	064009-000	TUBE-WATER, 97.5", NATURAL, FILTER BASE TO, SECONDARY VALVE	1	EA	
NI	064010-000	CLIP, TUBING, 90 DEG ELBOW	1	EA	
2	064034-000	ICE MAKER, RADIUS CUBE, 115V, SERVICE	1	EA	
3	055867-000	Screw, hex washer head, 8-15A x 0.625, Low Profile	1	EA	
4	055857-000	Screw, hex hd wshr, #8-32 x 1/2	1	EA	
5	064036-000	SEAL, DOUGHNUT	1	EA	
6	055863-000	Tubing Assembly, water, 1/4 - 44", green	1	EA	
7	064038-000	INSULATION, I/M FILL TUBE	1	EA	
8	055846-000	Valve, solenoid, triple	1	EA	
NI	055647-000	Screw, hex head, 10-32 x 0.500	1	EA	
NI	055653-000	Screw-shoulder	1	EA	
9	055855-000	Screw, hex washer head, 8-15A x 1.000, (2)	1	EA	
10	055869-000	Clamp-cable	1	EA	
11	055657-000	Clamp, tube/wiring, nylon, black/natural	1	EA	
12	055816-000	Bracket-ice maker	1	EA	
NI	055678-000	Screw, hex washer head, 8-32T x 0.375	1	EA	
13	064040-000	CONTAINER, ICE BUCKET	1	EA	
NI	064041-000	SCREW, 8-18 X 1.25	1	EA	

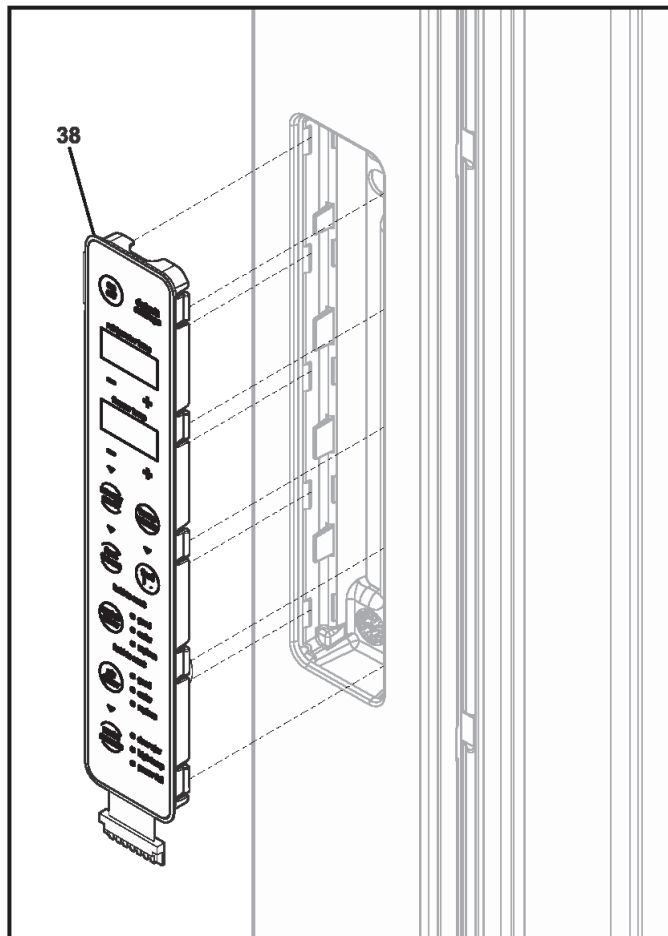
RVRF3361SS Controls

Publication No: 5995687000

RVRF3361SS0

**CONTROLS**

---



**CTRVRF3361SS0**



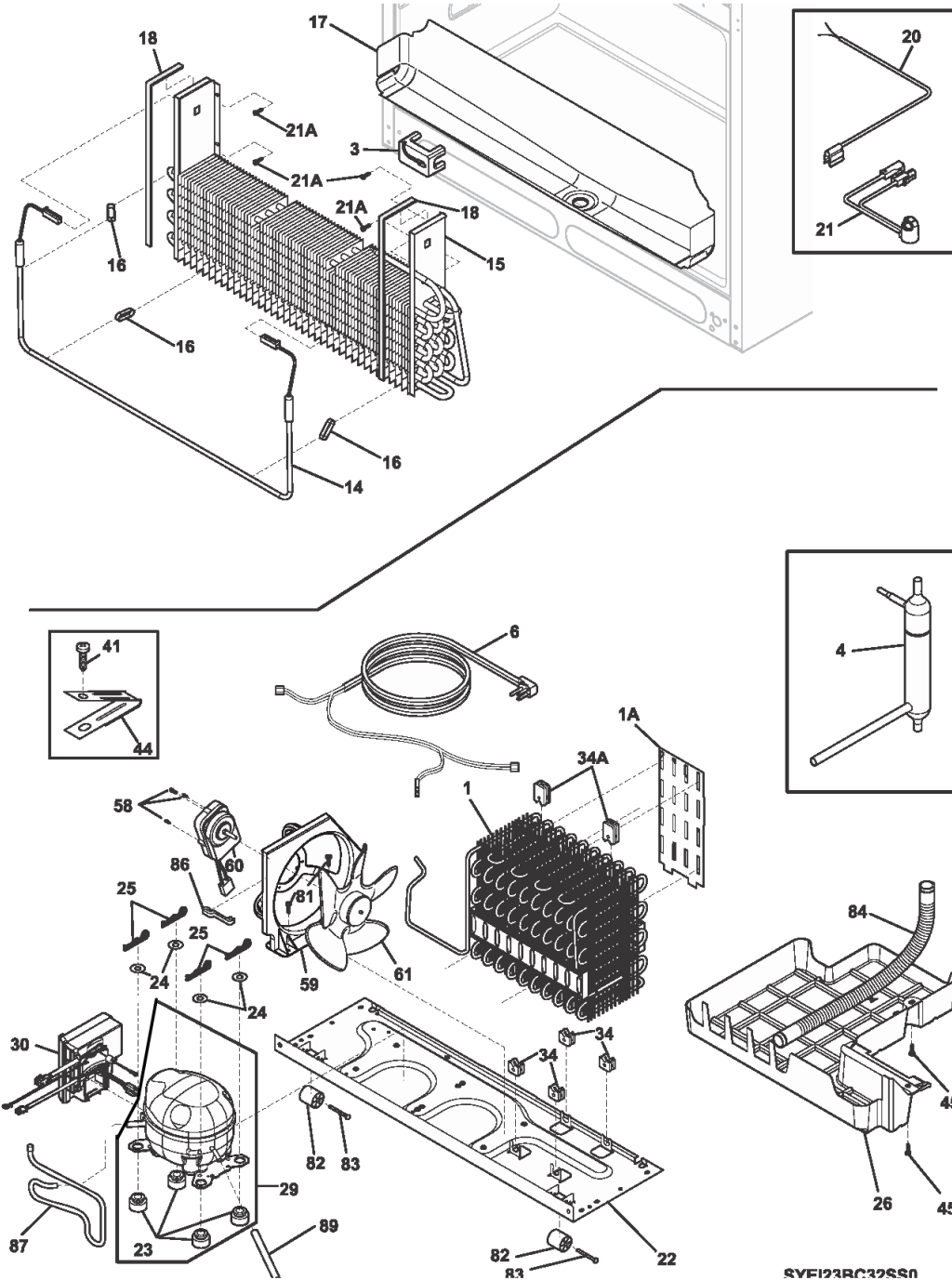
Item	Part No.	Name	Qty	Uom	NOTES
1	064033-000	USER INTERFACE, ASSEMBLY, W/BOARD & PAD	1	EA	
NI	063965-000	HARNESS-WIRING, DOOR	1	EA	
NI	055669-000	Harness-dispenser, grounding	1	EA	
NI	055662-000	SCREW, IND HEX WSHR HD, 8-32 X 0.375, TRILOBE	1	EA	

RVRF3361SS Cooling System

Publication No: 5995687000

RVRF3361SS0

COOLING SYSTEM



04/17

10

Item	Part No.	Name	Qty	Uom	NOTES
1	055749-000	Condenser	1	EA	
2	055793-000	Deflector-air, condenser	1	EA	
3	055733-000	Block-evap coil, styrofoam insul, RH	1	EA	
4	055856-000	Dryer-filter	1	EA	
5	055670-000	Cord-service	1	EA	
NI	055853-000	Harness-wiring, machine, Compartment	1	EA	
6	055858-000	Defrost Heater Kit, 28'	1	EA	
7	064027-000	EVAPORATOR	1	EA	
8	055878-000	Strap-evap/heater, aluminum, (2)	3	EA	
9	055710-000	Trough-drain	1	EA	
10	055740-000	Gasket, closed cell	2	EA	
11	064028-000	THERMISTOR, FREEZER DEFROST, NTC, W/CONNECTORS	1	EA	
12	073606-000	Thermostat, defrost safety	1	EA	
13	055644-000	Screw, hex washer head, 8-18AB x 1.250, spacer	4	EA	
14	055674-000	Base-compressor, w/rollers	1	EA	
NI	055643-000	Screw, #8 truss hd, 10-32CA x 0.500	1	EA	
15	055645-000	Grommet-compr mtg, (4)	4	EA	
16	055719-000	Washer-compr mtg	4	EA	
17	055807-000	Clip-spring	4	EA	
18	055770-000	Pan-defrost	1	EA	
19	074635-000	Compressor & Grommets, w/o electricals	1	EA	
20	064030-000	INVERTER	1	EA	
21	055775-000	Grommet-cond mtg, (4)	4	EA	
22	055776-000	Grommet-cond mtg, (4)	2	EA	
23	055664-000	Screw-#8-32 X 3/8	1	EA	
24	055854-000	Clamp-service cord, strain relief, galv steel	1	EA	
25	055867-000	Screw, hex washer head, 8-15A x 0.625, Low Profile	2	EA	
26	055665-000	Screw, 8-18 x 0.500	1	EA	



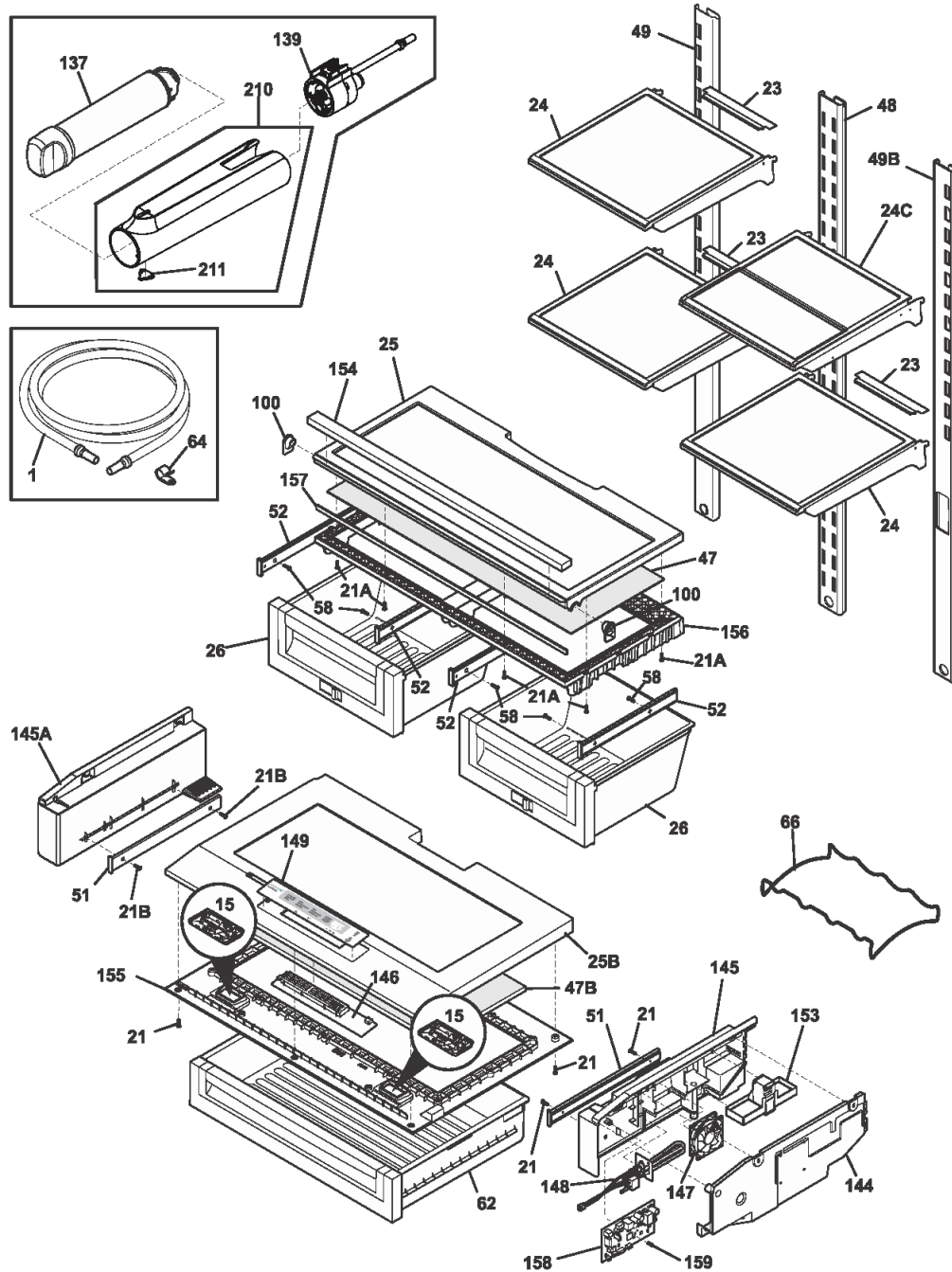
Item	Part No.	Name	Qty	Uom	NOTES
27	055779-000	Shroud-cond fan	1	EA	
NI	055651-000	Tape-foam seal, shroud	1	EA	
28	072756-000	Motor-condenser fan	1	EA	
29	055675-000	Blade-condenser fan	1	EA	
30	055652-000	Screw-fan shroud, (2)	1	EA	
31	055649-000	Roller, compressor base, rear	2	EA	
32	055868-000	Rivet, flat head, 1/4 OD x 1-3/4, roller pin	2	EA	
33	055728-000	Tube-drain	1	EA	
NI	055806-000	Clip-tube, drain	1	EA	
34	055660-000	Spacer-cond tube, black	1	EA	
35	064032-000	TUBE-CONNECTOR, SUCTION	1	EA	
36	055640-000	Tube-process	1	EA	
NI	055669-000	Harness-dispenser, grounding	1	EA	
NI	055860-000	Heat Exchanger Kit, suction line, service	1	EA	
NI	055780-000	Spacer, heat exchanger	1	EA	
NI	055646-000	Clip-grille	1	EA	
NI	055647-000	Screw, hex head, 10-32 x 0.500	1	EA	

## RVRF3361SS Shelves

Publication No: 5995687000

RVRF3361SS0

## SHELVES



RVRF3361SS0

04/17

8

Item	Part No.	Name	Qty	Uom	NOTES
1	064009-000	TUBE-WATER, 97.5", NATURAL, FILTER BASE TO, SECONDARY VALVE	1	EA	
NI	064010-000	CLIP, TUBING, 90 DEG ELBOW	1	EA	
2	063991-000	LIGHT ASSEMBLY, LED	1	EA	
3	055784-000	SCREW, #8 - 18 X .380	6	EA	
4	055783-000	SCREW, QUAD HILO, #8-18	6	EA	
5	059147-000	SCREW, QUAD HILO, #8-18 X 0.25	2	EA	
6	062831-000	GASKET, SHELF, REAR, AIR FLOW	3	EA	
7	064013-000	SHELF, SLIDING 1/2 WID, CANTILEVER, "SPILL-SAFE"	3	EA	
8	055845-000	Shelf-"Spill-Safe", cantilever, half width, slide under	1	EA	
NI	062832-000	SEAL, AIR, HALF SHELF	1	EA	
9	055711-000	Frame-crisper cover, upper	1	EA	
NI	055679-000	Screw	1	EA	
10	064014-000	FRAME-DELI COVER, UPPER	1	EA	
11	059155-000	PAN-CRISPER	2	EA	
12	055690-000	Glass-crisper frame	1	EA	
13	055789-000	Glass, 2 pane insulatd	1	EA	
14	064015-000	CHANNEL-SHELF MTG, CENTER	1	EA	
15	064016-000	CHANNEL-SHELF MTG, SIDE, LH	1	EA	
16	064017-000	CHANNEL-SHELF, MTG, SIDE, RH	1	EA	
17	055721-000	Slide-deli	2	EA	
18	055691-000	Slide-crisper cover	2	EA	
19	055778-000	Screw, 8-18 x 3/8	4	EA	
20	055727-000	Pan-deli	1	EA	
21	055657-000	Clamp, tube/wiring, nylon, black/natural	1	EA	
22	055683-000	Rack-wine	1	EA	
23	055689-000	Support-crspr cover	2	EA	
24	064018-000	FILTER ASSEMBLY, VIKING, W/CAP	1	EA	



Item	Part No.	Name	Qty	Uom	NOTES
NI	064019-000	BYPASS ASSEMBLY, NO FILTER, OPTIONAL PART	1	EA	
25	064020-000	MANIFOLD, WATER FILTER, 93.5", W/BROWN TUBE, FILTER BASE TO, PRIMARY VALVE	1	EA	
26	055714-000	Cover-deli air control	1	EA	
27	055713-000	Housing-deli air control	1	EA	
28	064021-000	SUPPORT, RAIL, LH	1	EA	
29	057359-000	PCB USER INTERFACE	1	EA	
NI	055832-000	Clip, retainer, PTD board	1	EA	
NI	064022-000	HARNESS, WIRING, PTD UI & LED, W/THERMISTOR	1	EA	
30	055726-000	Fan Assembly, motor, with blade	1	EA	
NI	055777-000	Damper-rubber, PTD fan	1	EA	
31	055708-000	Heater-PTD, 115 V	1	EA	
NI	055662-000	SCREW, IND HEX WSHR HD, 8-32 X 0.375, TRILOBE	1	EA	
32	059152-000	Overlay, electronic, membrane switch	1	EA	Not available online / Call for pricing and availability
33	055698-000	Motor-damper	1	EA	
NI	055730-000	Harness-wiring, mixing valve	1	EA	
34	059156-000	TRIM-CRISPER COVER	1	EA	
35	055712-000	Frame-deli cover, lower	1	EA	
36	055757-000	Frame-crisper cover, lower	1	EA	
37	055758-000	Beam-crisper cover	1	EA	
38	055786-000	Board-main power, PTD	1	EA	
NI	055722-000	Harness-power PTD, w/thermistor	1	EA	
NI	055747-000	Harness-wiring, PTD main w/LED	1	EA	
39	055720-000	Cap, PCBA hold down	1	EA	
40	064023-000	HOUSING, WATER FILTER, W/PLUG & PAD	1	EA	
NI	063999-000	SCREW, HEX WASHET HEAD, 8-18AB X 1/2	1	EA	
NI	063948-000	SCREW, SHOULDER, #10-16	2	EA	
41	064024-000	PLUG, FILTER HOUSING	1	EA	



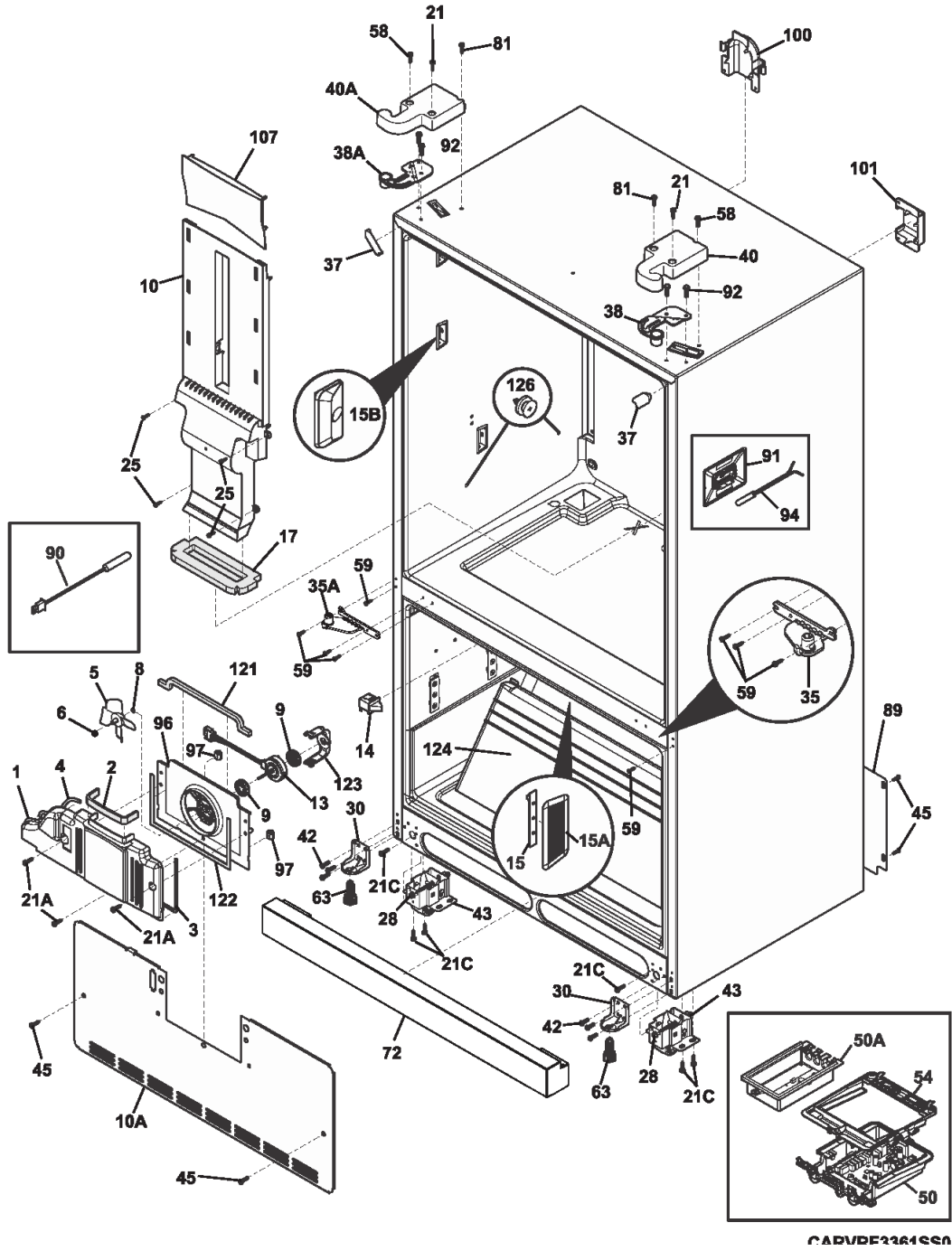
Item	Part No.	Name	Qty	Uom	NOTES
NI	055867-000	Screw, hex washer head, 8-15A x 0.625, Low Profile	1	EA	

RVRF3361SS Cabinet

Publication No: 5995687000

RVRF3361SS0

CABINET



04/17

6

Item	Part No.	Name	Qty	Uom	NOTES
1	063980-000	COVER, EVAPORATOR FAN	1	EA	
2	063982-000	SEAL, FAN COVER, TOP	1	EA	
3	063983-000	GASKET-EVAP, BOTTOM	1	EA	
4	063984-000	GASKET, EVAP, UPPER	1	EA	
5	055877-000	Fan Blade, red, evaporator fan	1	EA	
6	063985-000	SPRING, FAN HUB	1	EA	
7	055641-000	Washer, "slinger", nylon, evap fan shaft	1	EA	
8	063986-000	BUSHING, MOTOR MOUNTING	1	EA	
9	063987-000	AIR TOWER, ASSEMBLY, W/DAMPER	1	EA	
10	055745-000	Cover-evap coil, lower	1	EA	
NI	055743-000	Gasket-coil cover	1	EA	
NI	055744-000	Gasket-coil cover	1	EA	
11	063988-000	MOTOR, EVAPORATOR FAN, W/HARNESS	1	EA	
12	055820-000	Switch-light/lamp, frzr door	1	EA	
13	063989-000	LIGHT BOARD, 3 LED CLUSTER	1	EA	
14	063990-000	LENS, 3 LED CLUSTER	1	EA	
15	063991-000	LIGHT ASSEMBLY, LED	1	EA	
16	063992-000	GASKET, AIR DUCT, BOTTOM	1	EA	
17	055681-000	Screw, 10-32 x 1/2	2	EA	
18	055799-000	SCREW, 8-18 X 1/2	3	EA	
19	055643-000	Screw, #8 truss hd, 10-32CA x 0.500	6	EA	
20	063993-000	SCREW, TRUSS HD QUAD, #10-16 X .500, WHITE	4	EA	
21	055650-000	Bolt-roller adj, hex washer head, 1/4-20 x 4.020, special	1	EA	
22	063995-000	BRACKET-ANTI TIP	2	EA	
23	063996-000	HINGE ASSEMBLY, LOWER, RH, W/ADJ SCREW	1	EA	
24	063997-000	HINGE ASSEMBLY, LOWER, LH, W/ADJ SCREW	1	EA	
25	055836-000	Trim-cabinet corner, gray	1	EA	
26	055685-000	Bracket-upper hinge, RH	1	EA	
27	055686-000	Bracket-upper hinge, LH	1	EA	

Item	Part No.	Name	Qty	Uom	NOTES
28	055828-000	Cover-upper hinge, gray, RH	1	EA	
29	055829-000	Cover-upper hinge, gray, LH	1	EA	
30	055666-000	Screw, hex head, 1/4-20 x 5/8	6	EA	
31	055648-000	Roller Assy, adjustable, front	2	EA	
32	063999-000	SCREW, HEX WASHET HEAD, 8-18AB X 1/2	6	EA	
33	064000-000	BOARD-MAIN POWER, ASSEMBLY, BOARD & HOUSING	1	EA	
34	064001-000	BOARD-MAIN, LED	1	EA	
NI	064002-000	CLIP, RETAINER, HARNESS	1	EA	
35	055848-000	Support, housing, main board	1	EA	
36	055736-000	Screw	2	EA	
37	064003-000	SCREW #10-32 X 3/4 ZINC	8	EA	
38	055642-000	Screw, leveling foot, plastic, adjustable	2	EA	
39	061688-000	TOE KICK REPLACEMENT PANEL	1	EA	
NI	055679-000	Screw	1	EA	
40	055802-000	Screw, hex head, #10-32 x 3/8	2	EA	
41	055682-000	Cover-access, w/label	1	EA	
42	055667-000	Sensor, temperature, 10K, NTC	1	EA	
NI	055734-000	Cap-thermistor	1	EA	
NI	055784-000	SCREW, #8 - 18 X .380	1	EA	
NI	055790-000	Cap, screw	1	EA	
43	064004-000	COVER, THERMISTOR	1	EA	
44	055680-000	Screw, hex washer hd, 1/4 x 7/8, hinge mtg	4	EA	
45	064005-000	THERMISTOR, FRESH FOOD TEMP, NTC, W/CONNECTORS	1	EA	
46	055746-000	Shroud-evap fan mtg	1	EA	
47	064006-000	GASKET, FAN COVER CLIP	1	EA	
48	055835-000	Cover, tubing, eps block	1	EA	
49	055788-000	Duct-air, top	1	EA	
50	055742-000	Gasket-evap, upper	1	EA	
51	055741-000	Gasket-evap, bottom	1	EA	



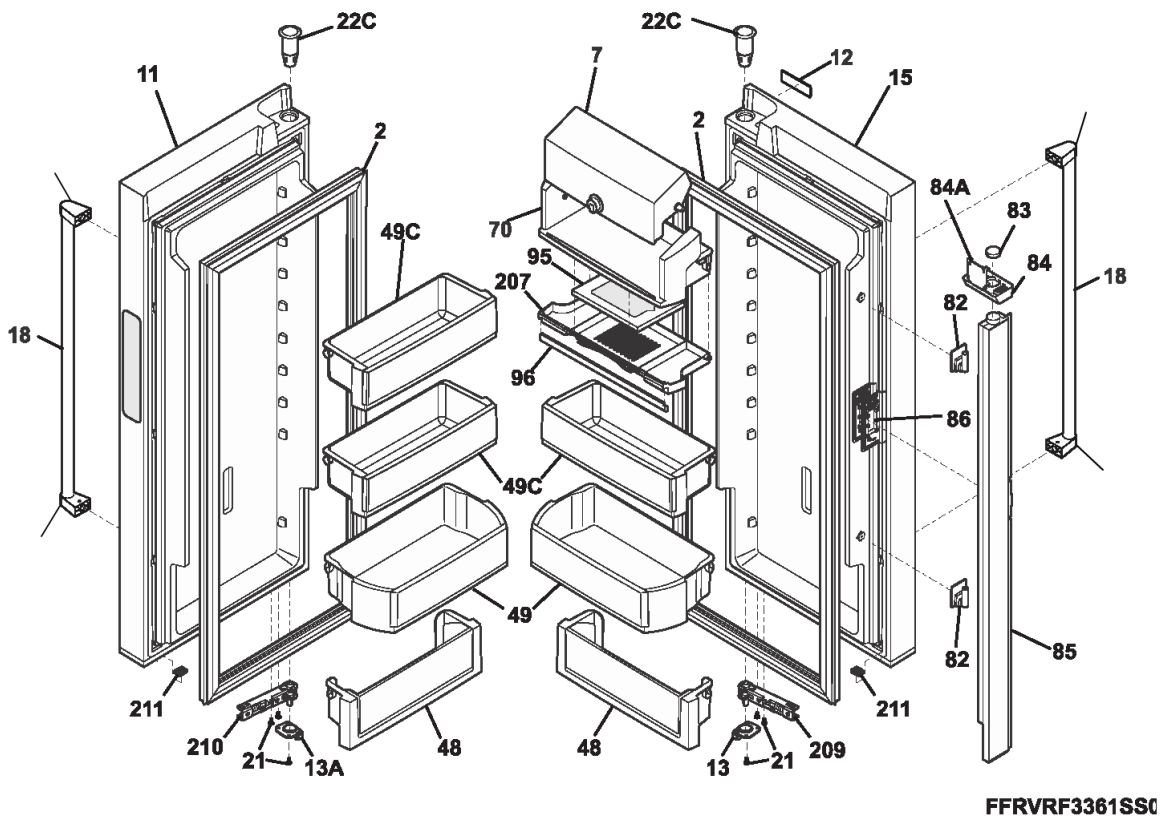


Item	Part No.	Name	Qty	Uom	NOTES
52	064007-000	BRACKET, FAN MOTOR MTG	1	EA	
53	055797-000	Duct-air, freezer	1	EA	
54	055639-000	Screw-shoulder	1	EA	
NI	055646-000	Clip-grille	1	EA	
NI	055644-000	Screw, hex washer head, 8-18AB x 1.250, spacer	2	EA	
NI	055867-000	Screw, hex washer head, 8-15A x 0.625, Low Profile	1	EA	
NI	073341-000	SILVER MIST 0.6oz BOTTLE TOUCH-UP PAINT	1	EA	

## RVRF3361SS Fresh Food Door

Publication No: 5995687000

RVRF3361SS0

**FRESH FOOD DOOR**

04/17

4

Item	Part No.	Name	Qty	Uom	NOTES
1	063963-000	GASKET-REFRIG DOOR, GREY, MAGNETIC	2	EA	
2	055717-000	DOOR-DAIRY	1	EA	
NI	055676-000	SCREW	1	EA	
NI	055731-000	KNOB-DAIRY DOOR	1	EA	
NI	055732-000	LATCH-DOOR	1	EA	
3	063964-000	REFRIGERATOR DOOR, COMPLETE, STAINLESS LH	1	EA	
NI	063965-000	HARNESS-WIRING, DOOR	1	EA	
4	063966-000	NAMEPLATE, VIKING	1	EA	
5	063967-000	DOOR STOP, ASSEMBLY, RH, W/BUSHING	1	EA	
6	063968-000	DOOR STOP, ASSEMBLY, LH, W/BUSHING	1	EA	
7	063969-000	REFRIGERATOR DOOR, COMPLETE, STAINLESS, RH	1	EA	
8	053670-000	HANDLE TUBE	2	EA	
NI	063943-000	STANDOFF-STUD	4	EA	
NI	053669-000	#10-1 1/4" SHEET, MET, SCR, FCSKH	2	EA	
9	055784-000	SCREW, #8 - 18 X .380	4	EA	
10	055684-000	BEARING, HINGE, TOP	2	EA	
11	055716-000	BIN-DOOR, CAN	2	EA	
12	055715-000	BIN-DOOR, GALLON	2	EA	
13	055768-000	BIN-DOOR, 1/2 GALLON	3	EA	
14	055767-000	COMPARTMENT-DAIRY, REMOVABLE	1	EA	
NI	055795-000	DIVIDER-DAIRY COMPT, 70*	1	EA	
15	055704-000	HINGE-MULLION, UPPER/LOWER, FLIPPER	2	EA	
16	055718-000	MAGNET, DOOR	1	EA	
17	055852-000	GUIDE-MULLION, MAGNET COVER, FLIPPER	1	EA	
NI	063971-000	LOCK WASHER, EXTERNAL TOOTH #8	1	EA	
NI	055867-000	Screw, hex washer head, 8-15A x 0.625, Low Profile	1	EA	
18	055840-000	COVER-MULLION, MAGNET COVER	1	EA	



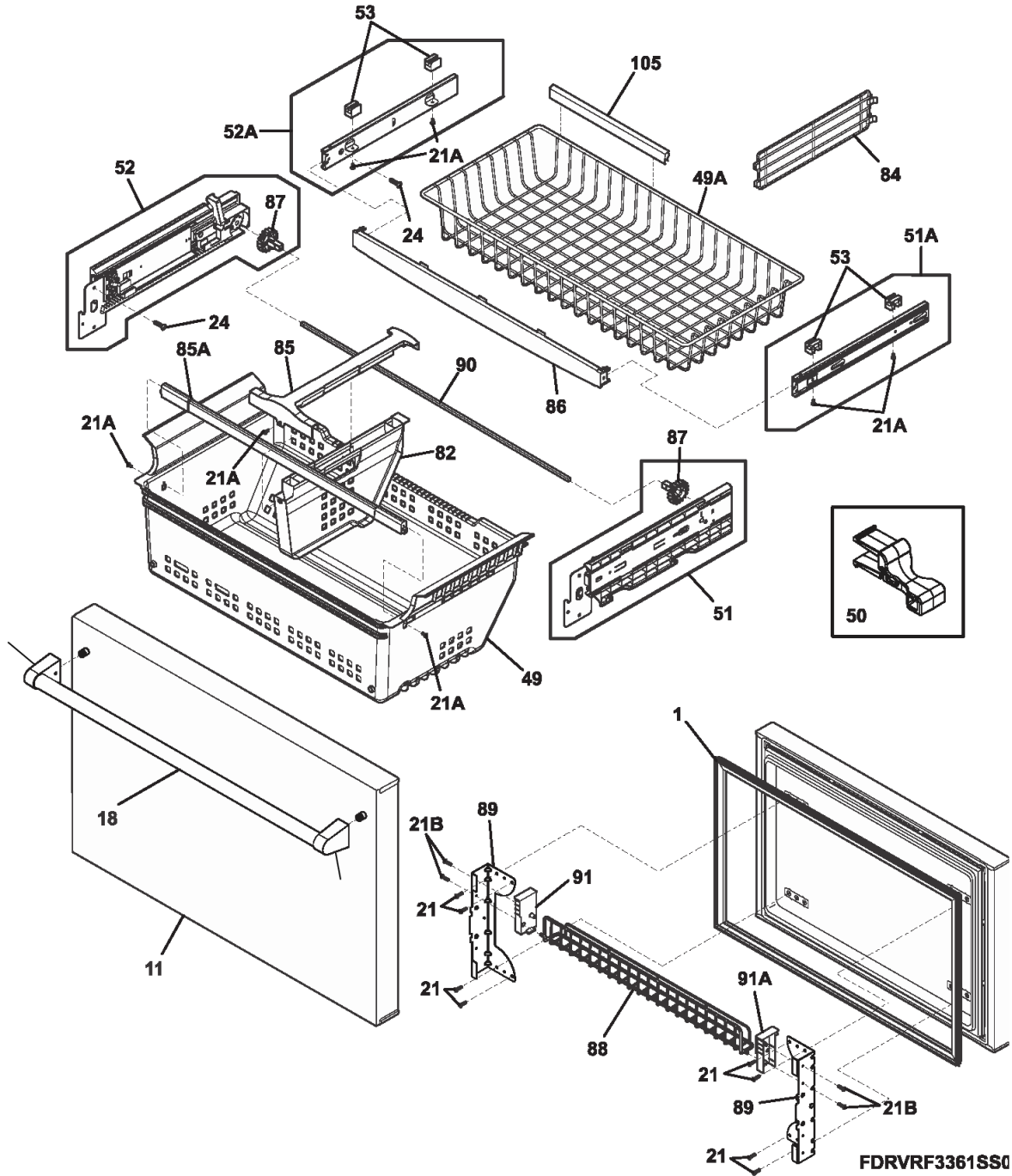
Item	Part No.	Name	Qty	Uom	NOTES
19	063972-000	FLIPPER MULLION ASSEMBLY, GREY, W/HEATER	1	EA	
NI	063973-000	HARNESS-WIRING, FLIPPER MULLION	1	EA	
NI	055799-000	SCREW, 8-18 X 1/2	1	EA	
NI	055821-000	BUMPER, FLIPPER MULLION	1	EA	
20	063974-000	HINGE-MULLION, CENTER, FLIPPER	1	EA	
21	055879-000	FILTER, AIR	1	EA	
22	059154-000	TRIM-DOOR AIR FILTER, W/GRAPHICS	1	EA	
23	055812-000	HOUSING-AIR FILTER	1	EA	
NI	055784-000	SCREW, #8 - 18 X .380	4	EA	
Not Shown	NOTE	(TO SECURE HOUSING)		EA	
24	063976-000	CLOSER ASSEMBLY, DOOR, RH, MECHANICAL	1	EA	
25	063977-000	CLOSER ASSEMBLY, DOOR, LH, MECHANICAL	1	EA	
26	063978-000	BUMPER, DOOR, BOTTOM	2	EA	
NI	055662-000	SCREW, IND HEX WSHR HD, 8-32 X 0.375, TRILOBE	1	EA	
27	053663-000	END CAP, HANDLE	4	EA	

## RVRF3361SS Freezer Drawer and Baskets

Publication No: 5995687000

RVRF3361SS0

## FREEZER DRAWER, BASKETS



04/17

2

Item	Part No.	Name	Qty	Uom	NOTES
1	063940-000	GASKET, FREEZER DRAWER, GREY	1	EA	
2	063941-000	DRAWER, STAINLESS, FREEZER	1	EA	
3	053671-000	HANDLE	1	EA	
NI	063943-000	STANDOFF-STUD	2	EA	
NI	053669-000	#10-1 1/4" SHEET, MET, SCR, FCSKH	2	EA	
4	055677-000	SCREW, QUADREX, #10-16 HILO	8	EA	
5	055784-000	SCREW, #8 - 18 X .380	7	EA	
6	055799-000	SCREW, 8-18 X 1/2	4	EA	
7	055655-000	SCREW, TRUSS HD QUAD, #10-16 X .750, ZINC	6	EA	
8	063944-000	BASKET, FREEZER DRAWER, LOWER	1	EA	
9	063945-000	BASKET, FREEZER, UPPER	1	EA	
10	063946-000	CLIP, FREEZER BASKET	1	EA	
11	063947-000	SLIDE ASSEMBLY, BASKET LOWER, RH, W/PINION	1	EA	
NI	063948-000	SCREW, SHOULDER, #10-16	2	EA	
12	063949-000	SLIDE ASSEMBLY, FREEZER BASKET, UPPER RH	1	EA	
NI	055808-000	SCREW, BASKET SLIDES	4	EA	
13	063950-000	SLIDE ASSEMBLY, BASKET LOWER, LH, W/PINION	1	EA	
14	063951-000	SLIDE ASSEMBLY, FREEZER BASKET, UPPER LH	1	EA	
15	063952-000	RETAINER, BASKET, UPPER	4	EA	
16	063953-000	DIVIDER, LOWER BASKET	1	EA	
17	063954-000	DIVIDER, BASKET, UPPER	1	EA	
18	063955-000	DIVIDER, BASKET, LOWER	1	EA	
NI	063956-000	SPRING-COMPRESSION, DIVIDER, LOWER BASKET	1	EA	
19	063957-000	SUPPORT-BEAM, DIVIDER, LOWER BASKET	1	EA	
20	063958-000	TRIM, DRAWER, STABILIZER	1	EA	
NI	055798-000	PIN-LOCK	1	EA	
21	063959-000	PINION	2	EA	



Item	Part No.	Name	Qty	Uom	NOTES
22	055723-000	RACK-NON TILT-OUT, DOOR	1	EA	
23	063961-000	BRACKET, FREEZER DRAWER	2	EA	
NI	055792-000	BUMPER, RUBBER, WHITE	1	EA	
24	055692-000	BAR, TIMING	1	EA	
25	055725-000	CAP-DOOR RACK	1	EA	
26	055724-000	CAP, DOOR RACK, WHITE	1	EA	
27	055831-000	TRIM-BASKET	1	EA	
NI	055834-000	SCREW, SER HEX WASH HD, 1/4-20 X 5/8	4	EA	
28	053663-000	END CAP, HANDLE	2	EA	



Appendix A:Pages Index

RVRF3361SS Cabinet ..... 5  
RVRF3361SS Controls ..... 2  
RVRF3361SS Cooling System ..... 3  
RVRF3361SS Freezer Drawer and Baskets ..... 7  
RVRF3361SS Fresh Food Door ..... 6  
RVRF3361SS Icemaker ..... 1  
RVRF3361SS Shelves ..... 4





## Appendix B:Parts Index

053663-000	6, 7	055685-000	5
053669-000	6, 7	055686-000	5
053670-000	6	055689-000	4
053671-000	7	055690-000	4
055639-000	5	055691-000	4
055640-000	3	055692-000	7
055641-000	5	055698-000	4
055642-000	5	055704-000	6
055643-000	3, 5	055708-000	4
055644-000	3, 5	055710-000	3
055645-000	3	055711-000	4
055646-000	3, 5	055712-000	4
055647-000	1, 3	055713-000	4
055648-000	5	055714-000	4
055649-000	3	055715-000	6
055650-000	5	055716-000	6
055651-000	3	055717-000	6
055652-000	3	055718-000	6
055653-000	1	055719-000	3
055655-000	7	055720-000	4
055657-000	1, 4	055721-000	4
055660-000	3	055722-000	4
055662-000	2, 4, 6	055723-000	7
055664-000	3	055724-000	7
055665-000	3	055725-000	7
055666-000	5	055726-000	4
055667-000	5	055727-000	4
055669-000	2, 3	055728-000	3
055670-000	3	055730-000	4
055674-000	3	055731-000	6
055675-000	3	055732-000	6
055676-000	6	055733-000	3
055677-000	7	055734-000	5
055678-000	1	055736-000	5
055679-000	4, 5	055740-000	3
055680-000	5	055741-000	5
055681-000	5	055742-000	5
055682-000	5	055743-000	5
055683-000	4	055744-000	5
055684-000	6	055745-000	5
		055746-000	5



055747-000	4	055845-000	4
055749-000	3	055846-000	1
055757-000	4	055848-000	5
055758-000	4	055852-000	6
055767-000	6	055853-000	3
055768-000	6	055854-000	3
055770-000	3	055855-000	1
055775-000	3	055856-000	3
055776-000	3	055857-000	1
055777-000	4	055858-000	3
055778-000	4	055860-000	3
055779-000	3	055863-000	1
055780-000	3	055867-000	1, 3, 4, 5, 6
055783-000	4	055868-000	3
055784-000	4, 5, 6, 6, 7	055869-000	1
055786-000	4	055877-000	5
055788-000	5	055878-000	3
055789-000	4	055879-000	6
055790-000	5	057359-000	4
055792-000	7	059147-000	4
055793-000	3	059152-000	4
055795-000	6	059154-000	6
055797-000	5	059155-000	4
055798-000	7	059156-000	4
055799-000	5, 6, 7	061688-000	5
055802-000	5	062831-000	4
055806-000	3	062832-000	4
055807-000	3	063940-000	7
055808-000	7	063941-000	7
055812-000	6	063943-000	6, 7
055816-000	1	063944-000	7
055820-000	5	063945-000	7
055821-000	6	063946-000	7
055828-000	5	063947-000	7
055829-000	5	063948-000	4, 7
055831-000	7	063949-000	7
055832-000	4	063950-000	7
055834-000	7	063951-000	7
055835-000	5	063952-000	7
055836-000	5	063953-000	7
055840-000	6	063954-000	7



063955-000	7	064004-000	5
063956-000	7	064005-000	5
063957-000	7	064006-000	5
063958-000	7	064007-000	5
063959-000	7	064009-000	1, 4
063961-000	7	064010-000	1, 4
063963-000	6	064013-000	4
063964-000	6	064014-000	4
063965-000	2, 6	064015-000	4
063966-000	6	064016-000	4
063967-000	6	064017-000	4
063968-000	6	064018-000	4
063969-000	6	064019-000	4
063971-000	6	064020-000	4
063972-000	6	064021-000	4
063973-000	6	064022-000	4
063974-000	6	064023-000	4
063976-000	6	064024-000	4
063977-000	6	064027-000	3
063978-000	6	064028-000	3
063980-000	5	064030-000	3
063982-000	5	064032-000	3
063983-000	5	064033-000	2
063984-000	5	064034-000	1
063985-000	5	064036-000	1
063986-000	5	064038-000	1
063987-000	5	064040-000	1
063988-000	5	064041-000	1
063989-000	5	072756-000	3
063990-000	5	073341-000	5
063991-000	4, 5	073606-000	3
063992-000	5	074635-000	3
063993-000	5		
063995-000	5		
063996-000	5		
063997-000	5		
063999-000	4, 5		
064000-000	5		
064001-000	5		
064002-000	5		
064003-000	5		