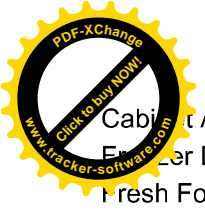
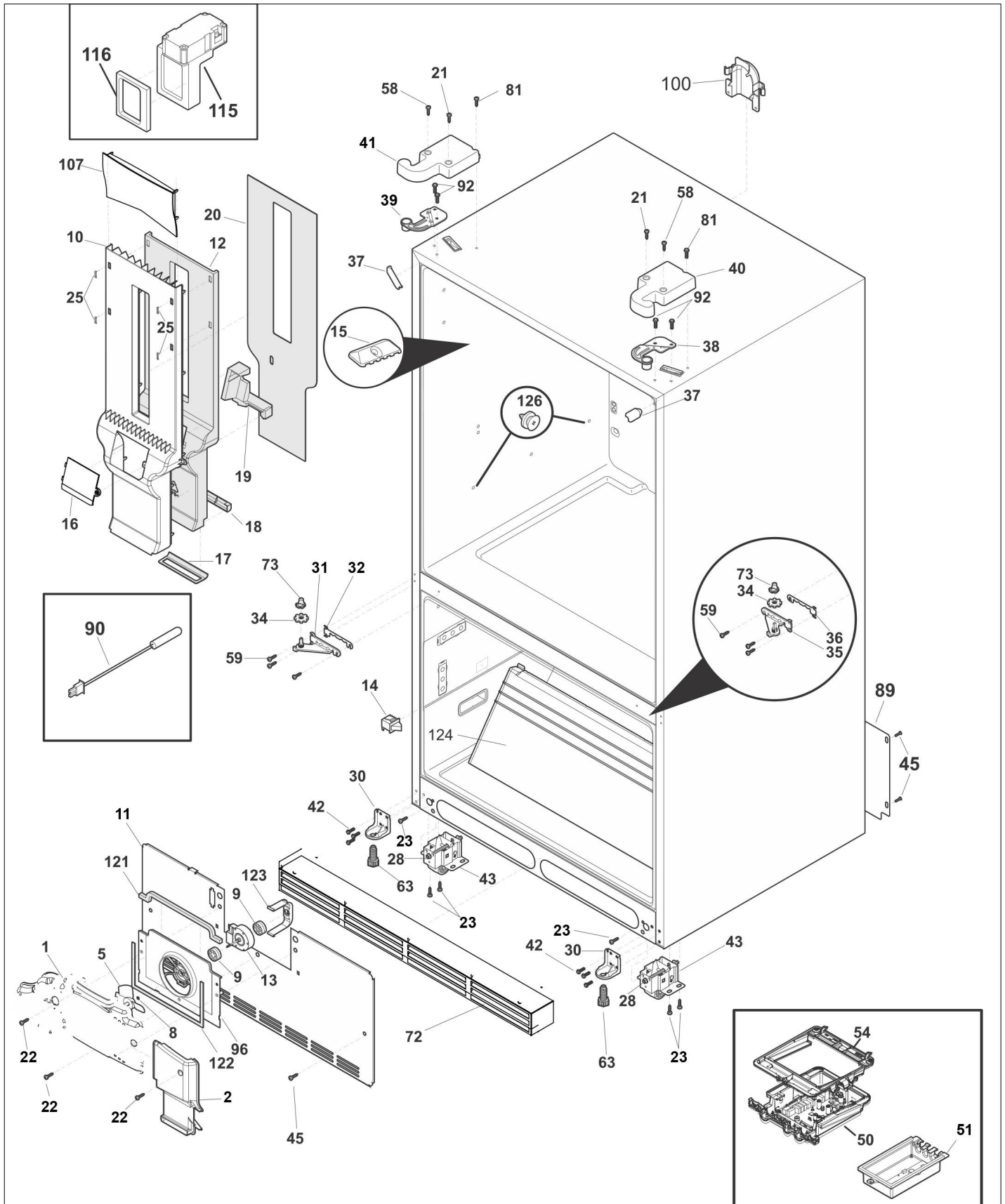


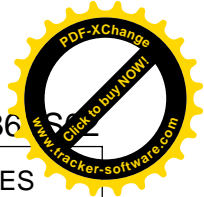
RVRF336SS02



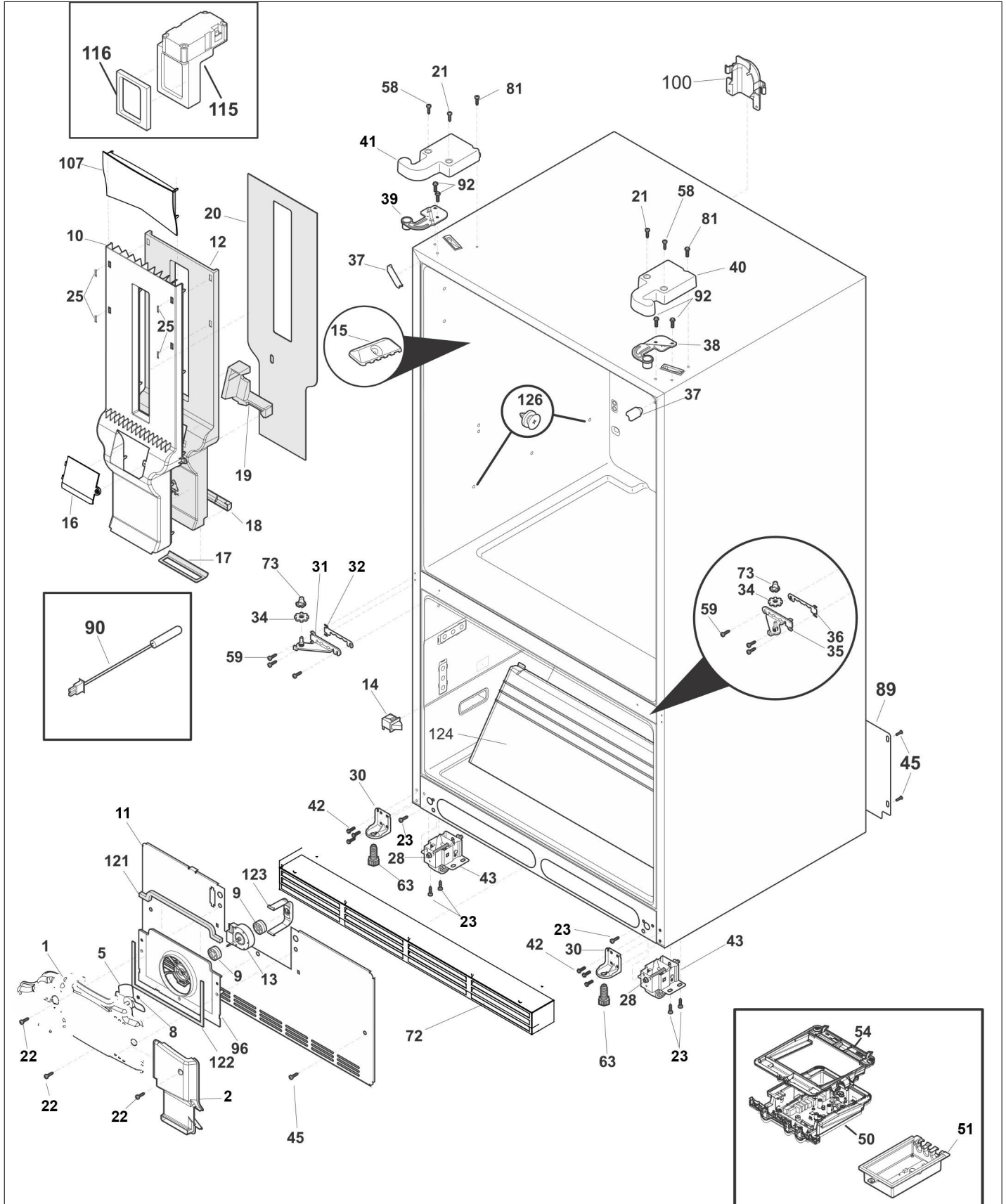
Cabinet Assy	3
Freezer Drawer Basket	4
Fresh Food Door Assy	5
Shelves	4
Icemaker	5
Cooling System	6
Control	7
Appendix A:Pages Index	A
Appendix B:Parts Index	B

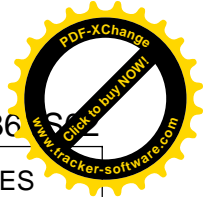
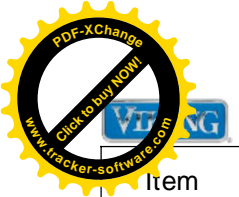
Cabinet Assy





Item	Part No.	Name	Qty	Uom	NOTES
1	055738-000	Cover-fan	1	EA	
2	055815-000	Duct-air	1	EA	
5	055877-000	Fan Blade, red, evaporator fan	1	EA	
8	055641-000	Washer, "slinger", nylon, evap fan shaft	1	EA	
9	055671-000	Bushing, motor mounting	1	EA	
10	055818-000	Cover-air duct	1	EA	
NI	055811-000	Harness-wiring	1	EA	
NI	055796-000	Foam Strip	1	EA	
11	055745-000	Cover-evap coil, lower	1	EA	
NI	055743-000	Gasket-coil cover	1	EA	
NI	055744-000	Gasket-coil cover	1	EA	
12	055823-000	Foam-air supply	1	EA	
13	055668-000	Motor, evaporator fan	1	EA	
14	055820-000	Switch-light/lamp, frzr door	1	EA	
15	055761-000	LIGHT-LED	2	EA	
NI	055849-000	Harness, wiring, freezer, LED main	1	EA	
16	055837-000	Cover-damper	1	EA	
NI	055739-000	Cover-EPS, damper	1	EA	
NI	055785-000	Screw, #8-18	2	EA	
17	055774-000	Duct-air	1	EA	
18	055774-000	Duct-air	1	EA	
19	055756-000	Support-EPS damper	1	EA	
20	055771-000	Cover-air duct, rear	1	EA	
21	055681-000	Screw, 10-32 x 1/2	2	EA	
22	055799-000	SCREW, 8-18 X 1/2	2	EA	
23	055643-000	Screw, #8 truss hd, 10-32CA x 0.500	2	EA	
25	055781-000	Clip, air vent	2	EA	
28	055650-000	Bolt-roller adj, hex washer head, 1/4-20 x 4.020, special	2	EA	
30	055701-000	Bracket-anti tip	1	EA	
31	055688-000	Hinge-lower, zinc, LH	1	EA	
32	055751-000	Spacer, door, lower LH	1	EA	





Item	Part No.	Name	Qty	Uom	NOTES
34	055752-000	Washer, hinge, nylon	2	EA	
35	055687-000	Hinge-lower, zinc, RH	1	EA	
36	055750-000	Spacer, door, lower RH	1	EA	
37	055836-000	Trim-cabinet corner, gray	1	EA	
38	055685-000	Bracket-upper hinge, RH	1	EA	
39	055686-000	Bracket-upper hinge, LH	1	EA	
40	055828-000	Cover-upper hinge, gray, RH	1	EA	
41	055829-000	Cover-upper hinge, gray, LH	1	EA	
42	055666-000	Screw, hex head, 1/4-20 x 5/8	2	EA	
43	055648-000	Roller Assy, adjustable, front	2	EA	
45	055644-000	Screw, hex washer head, 8-18AB x 1.250, spacer	2	EA	
50	055866-000	Board Assembly, main power, w/housing	1	EA	
51	055762-000	Board-main, LED	1	EA	
NI	055735-000	Clip, wiring harness	2	EA	
54	055848-000	Support, housing, main board	1	EA	
58	055736-000	Screw	2	EA	
59	055661-000	Screw-#10-32 X 3/4, white	2	EA	
63	055642-000	Screw, leveling foot, plastic, adjustable	2	EA	
72	055769-000	Grille/Kickplate, stainless	1	EA	
73	055826-000	Cam-lower hinge	1	EA	
81	055802-000	Screw, hex head, #10-32 x 3/8	2	EA	
89	055682-000	Cover-access, w/label	1	EA	
90	055667-000	Sensor, temperature, 10K, NTC	1	EA	
NI	055734-000	Cap-thermistor	1	EA	
NI	055784-000	SCREW, #8 - 18 X .380	2	EA	
NI	055790-000	Cap, screw	2	EA	
92	055680-000	Screw, hex washer hd, 1/4 x 7/8, hinge mtg	2	EA	
96	055746-000	Shroud-evap fan mtg	1	EA	
100	055835-000	Cover, tubing, eps block	1	EA	
107	055788-000	Duct-air, top	1	EA	
115	055672-000	Damper, motorized	1	EA	

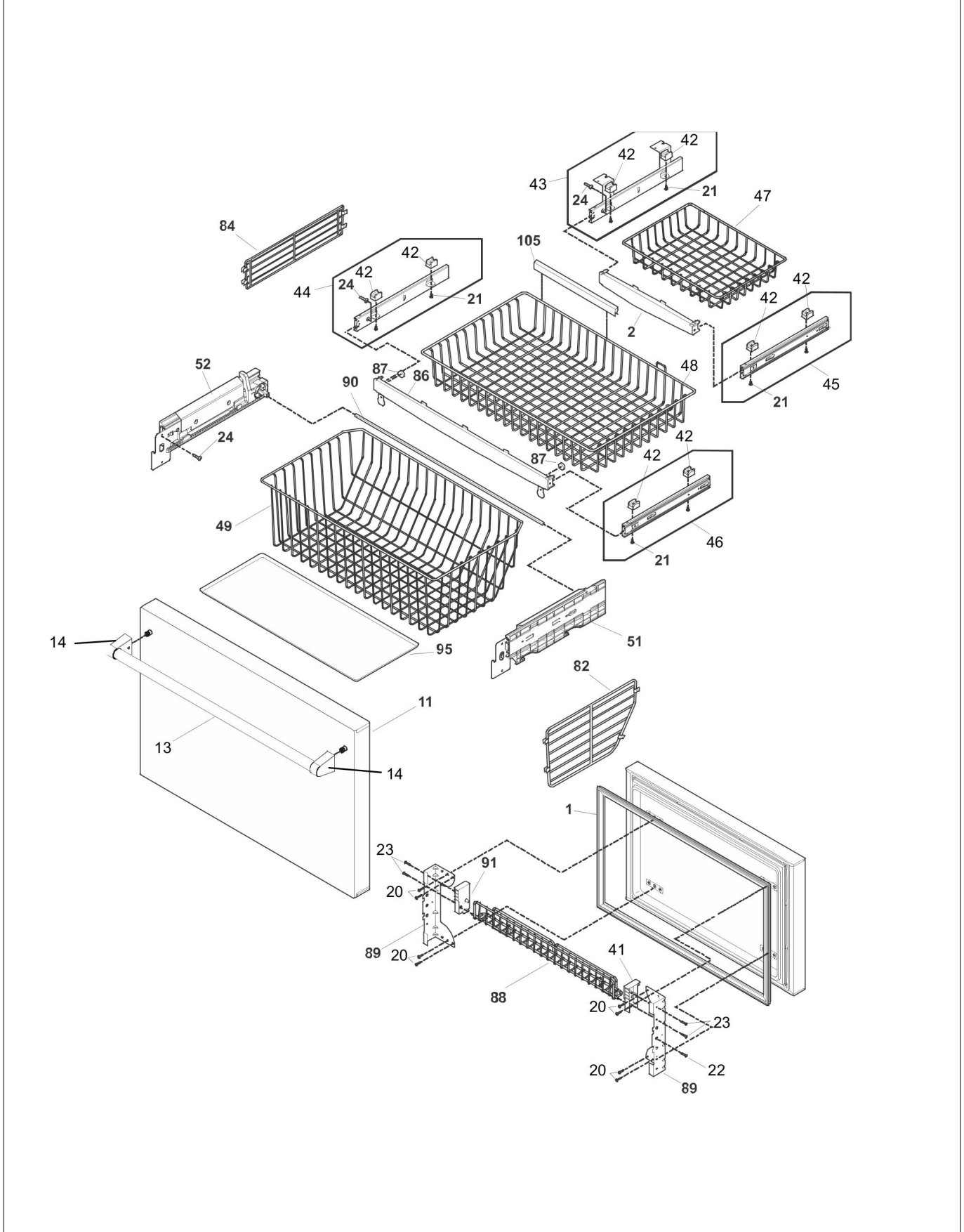


RVRF336



Item	Part No.	Name	Qty	Uom	NOTES
116	055673-000	Seal-damper, foam	1	EA	
121	055742-000	Gasket-evap, upper	1	EA	
122	055741-000	Gasket-evap, bottom	1	EA	
123	055833-000	Clip, evap fan motor, evap fan motor	1	EA	
124	055797-000	Duct-air, freezer	1	EA	
126	055639-000	Screw-shoulder	2	EA	
NI	055646-000	Clip-grille	1	EA	
NI	055679-000	Screw	2	EA	
NI	055783-000	SCREW, QUAD HILO, #8-18	2	EA	
NI	055867-000	Screw, hex washer head, 8-15A x 0.625, Low Profile	2	EA	

Freezer Drawer Basket



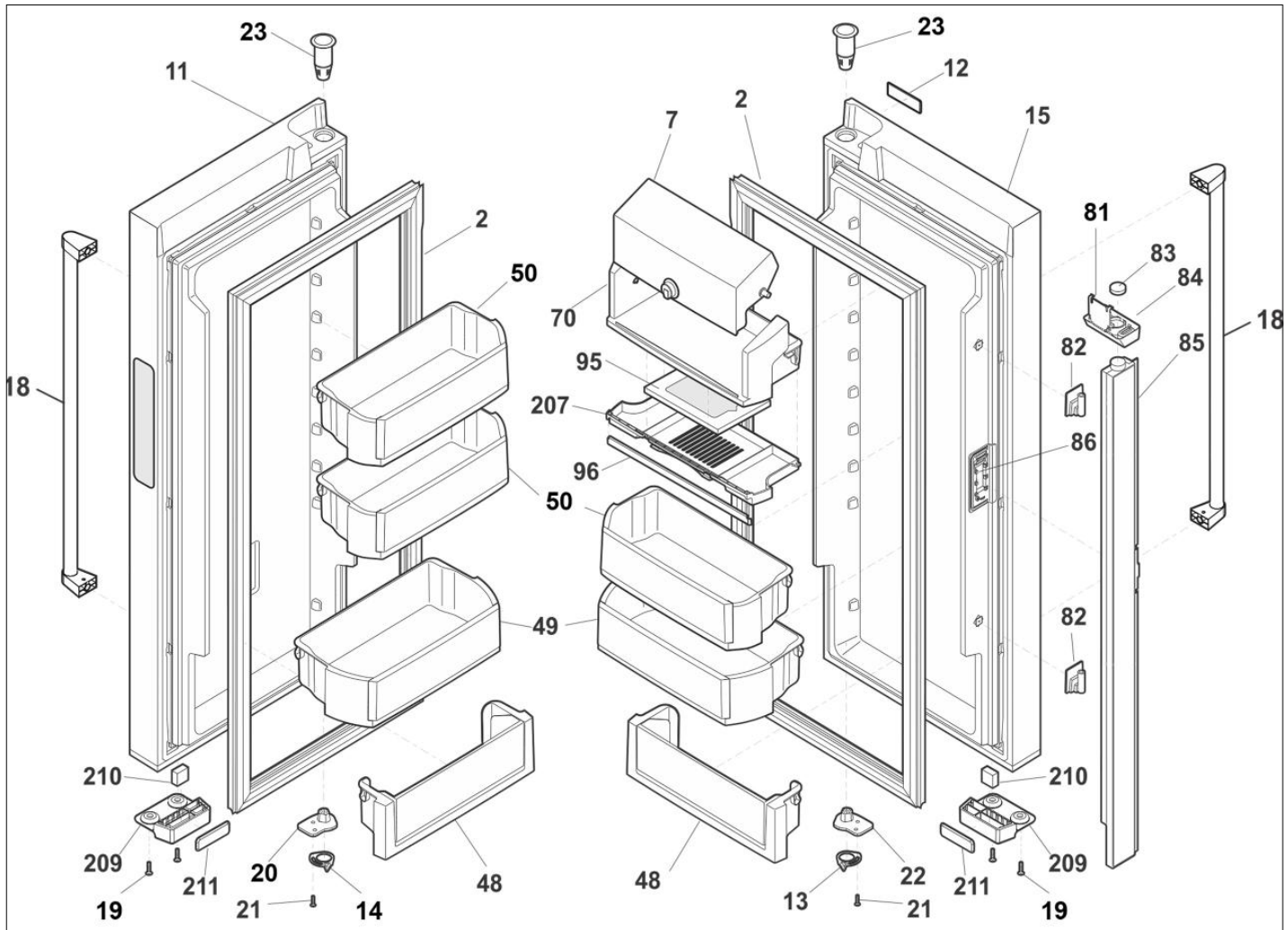


Item	Part No.	Name	Qty	Uom	NOTES
1	057355-000	GASKET-FRZR DRAWER, WHITE, MAGNETIC	1	EA	
2	055827-000	BAR-STABILIZER, FREEZER DRAWER	1	EA	
11	055794-000	DRAWER, STAINLESS, FREEZER	1	EA	
NI	055792-000	BUMPER, RUBBER, WHITE	1	EA	
13	053671-000	HANDLE	1	EA	
NI	057360-000	STUD COLLAR	2	EA	
NI	053669-000	#10-1 1/4" SHEET, MET, SCR, FCSKH	2	EA	
14	053663-000	END CAP, HANDLE	2	EA	
20	055677-000	SCREW, QUADREX, #10-16 HILO	4	EA	
21	055784-000	SCREW, #8 - 18 X .380	4	EA	
22	055834-000	SCREW, SER HEX WASH HD, 1/4-20 X 5/8	2	EA	
23	055799-000	SCREW, 8-18 X 1/2	2	EA	
24	055655-000	SCREW, TRUSS HD QUAD, #10-16 X .750, ZINC	2	EA	
41	055724-000	CAP, DOOR RACK, WHITE	1	EA	
42	055842-000	RETAINER-BASKET	4	EA	
43	057357-000	SLIDE ASSEMBLY, CEILING BASKET, LH, W/BRACKETS	1	EA	Not available online / Call for pricing and availability
44	055766-000	SLIDE ASSEMBLY, BASKET, LH, FREEZER DRAWER	1	EA	
45	057356-000	SLIDE ASSEMBLY, CEILING BASKET, RH	1	EA	Not available online / Call for pricing and availability
46	055765-000	SLIDE ASSEMBLY, BASKET, RH, FREEZER DRAWER	1	EA	
47	055729-000	BASKET-FRZR, CEILING, UP UPPER	1	EA	
48	055706-000	BASKET-FRZR, UPPER	1	EA	
49	055804-000	LOWER BASKET, FRZ	1	EA	
51	055865-000	SLIDE ASSEMBLY, LOWER BASKET, RH, W/PINION	1	EA	
NI	055808-000	SCREW, BASKET SLIDES	4	EA	



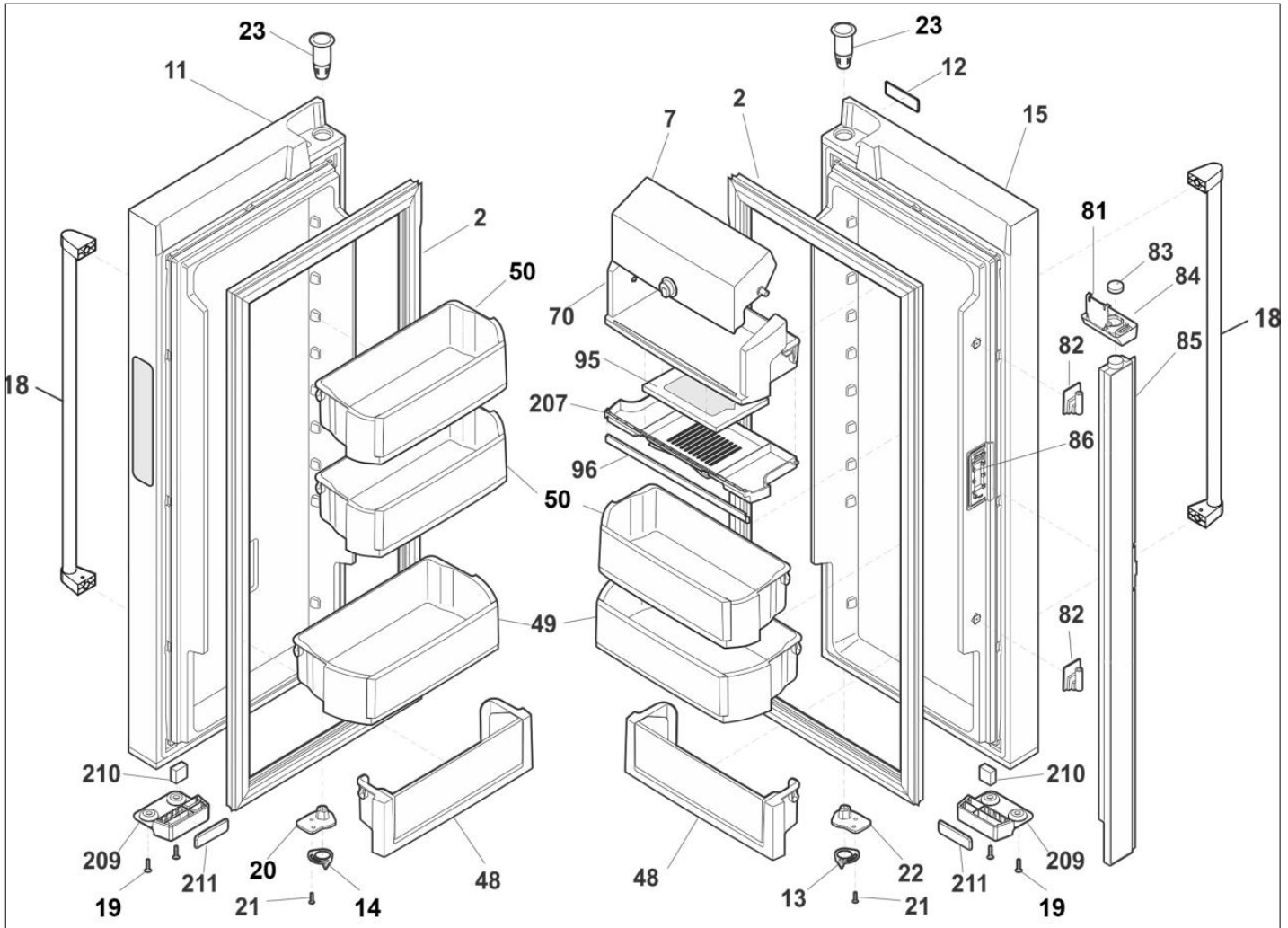
Item	Part No.	Name	Qty	Uom	NOTES
52	055864-000	SLIDE ASSEMBLY, LOWER BASKET, LH, W/PINION	1	EA	
82	055805-000	DIVIDER, BASKET	1	EA	
84	055707-000	DIVIDER, BASKET, UPPER	1	EA	
86	055782-000	BAR, STABALIZER, FREEZER DRAWER	1	EA	
NI	055798-000	PIN-LOCK	1	EA	
87	055718-000	MAGNET, DOOR	1	EA	
88	055723-000	RACK-NON TILT-OUT, DOOR	1	EA	
89	055791-000	BRACKET-FREEZER DRAWER	2	EA	
NI	055871-000	PLATE, TAPPING	1	EA	
90	055692-000	BAR, TIMING	1	EA	
NI	055783-000	SCREW, QUAD HILO, #8-18	2	EA	
91	055725-000	CAP-DOOR RACK	1	EA	
95	055693-000	TRAY, SPILL GUARD	1	EA	
105	055831-000	TRIM-BASKET	1	EA	

Fresh Food Door Assy





Item	Part No.	Name	Qty	Uom	NOTES
2	055699-000	GASKET-DOOR, WHITE	2	EA	
7	055717-000	DOOR-DAIRY	1	EA	
NI	055676-000	SCREW	2	EA	
NI	055731-000	KNOB-DAIRY DOOR	1	EA	
NI	055732-000	LATCH-DOOR	1	EA	
11	055839-000	DOOR-REFR, STAINLESS, LH	1	EA	
NI	067211-000	COVER, LH	1	EA	
12	042116-000	NAMEPLATE, VIKING	1	EA	
13	055753-000	DOOR STOP, REFRIG RH, PLATED	1	EA	
14	055754-000	DOOR STOP, REFRIG LH, PLATED	1	EA	
15	055838-000	DOOR-REFR, STAINLESS, RH	1	EA	
NI	067210-000	COVER, RH	1	EA	
18	053670-000	HANDLE TUBE	2	EA	
NI	053663-000	END CAP, HANDLE	2	EA	
NI	057360-000	STUD COLLAR	4	EA	
NI	053669-000	#10-1 1/4" SHEET, MET, SCR, FCSKH	2	EA	
19	055783-000	SCREW, QUAD HILO, #8-18	2	EA	
20	055825-000	CAM, UPPER HINGE, LH	1	EA	
21	055800-000	SCREW, 10-32 X 0.750	2	EA	
22	055824-000	CAM, UPPER HINGE, RH	1	EA	
23	055684-000	BEARING, HINGE, TOP	2	EA	
48	055716-000	BIN-DOOR, CAN	2	EA	
49	055715-000	BIN-DOOR, GALLON	2	EA	
50	055768-000	BIN-DOOR, 1/2 GALLON	3	EA	
70	055767-000	COMPARTMENT-DAIRY, REMOVABLE	1	EA	
NI	055795-000	DIVIDER-DAIRY COMPT, 70*	1	EA	
81	055840-000	COVER-MULLION, MAGNET COVER	1	EA	
82	055704-000	HINGE-MULLION, UPPER/LOWER, FLIPPER	2	EA	
83	055718-000	MAGNET, DOOR	1	EA	



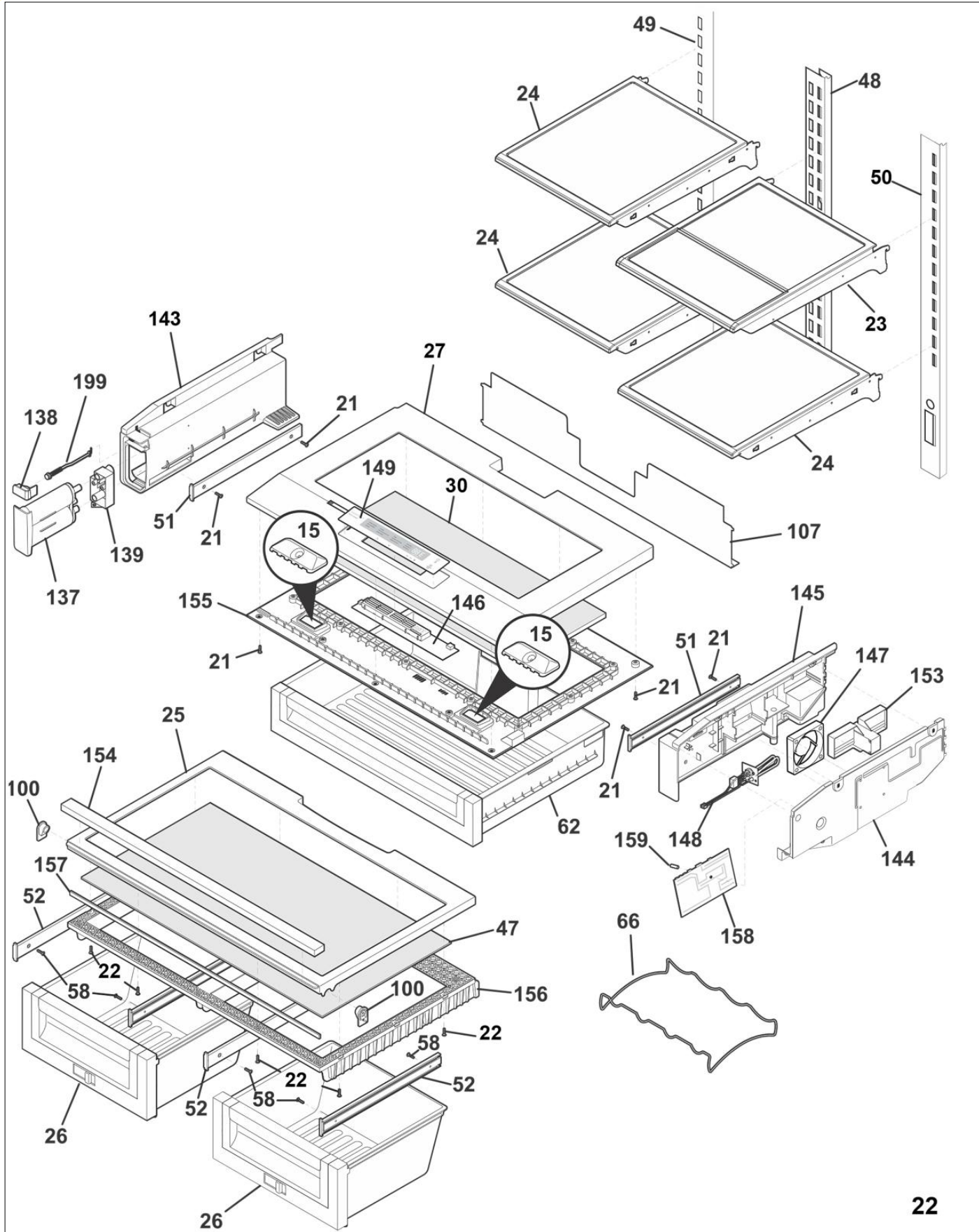


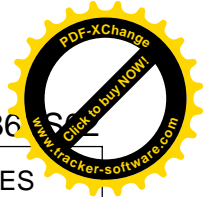
Item	Part No.	Name	Qty	Uom	NOTES
84	055852-000	GUIDE-MULLION, MAGNET COVER, FLIPPER	1	EA	
85	055702-000	FLIPPER MULLION ASSEMBLY, W/HEATER	1	EA	
NI	055709-000	HARNESS-WIRING, FLIPPER MULLION	1	EA	
NI	055662-000	SCREW, IND HEX WSHR HD, 8-32 X 0.375, TRILOBE	2	EA	
NI	055821-000	BUMPER, FLIPPER MULLION	2	EA	
86	055705-000	HINGE-MULLION, CENTER, FLIPPER	1	EA	
95	055879-000	FILTER, AIR	1	EA	
96	055813-000	TRIM-DOOR AIR FILTER, W/GRAPHICS	1	EA	
207	055812-000	HOUSING-AIR FILTER	1	EA	
209	055847-000	HOUSING, MAGNET, WHITE	2	EA	
210	055703-000	MAGNET, DOOR	2	EA	
211	055792-000	BUMPER, RUBBER, WHITE	2	EA	
NI	055810-000	HARNESS-WIRING, DOOR	1	EA	
NI	055761-000	LIGHT-LED	2	EA	
NI	055799-000	SCREW, 8-18 X 1/2	2	EA	

Comments for Page: Fresh Food Door Assy

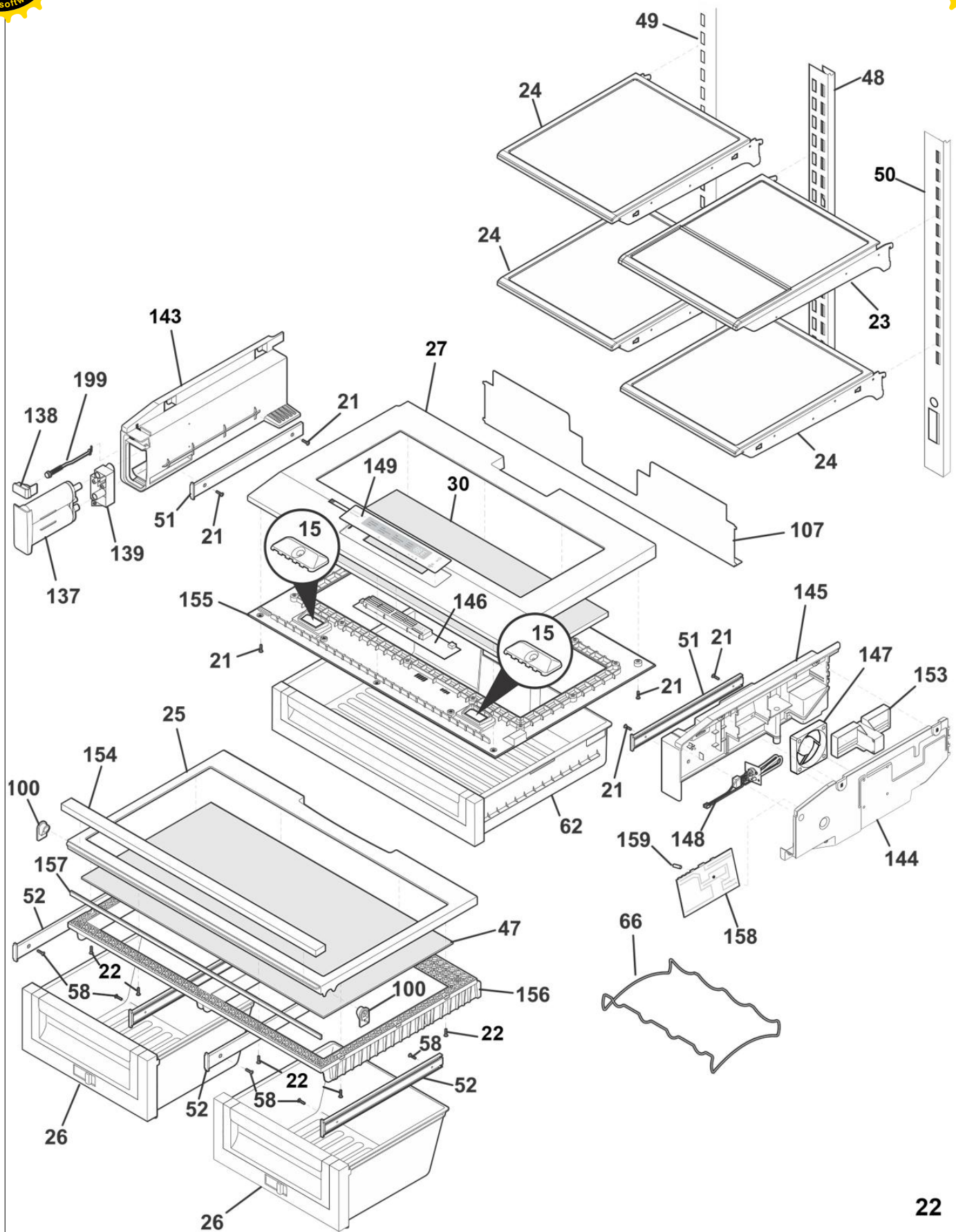
rwilson@vikingrange.com on Feb 18, 2016

The diagrams won't pull up. They flash for a second then you get a note saying there was an error



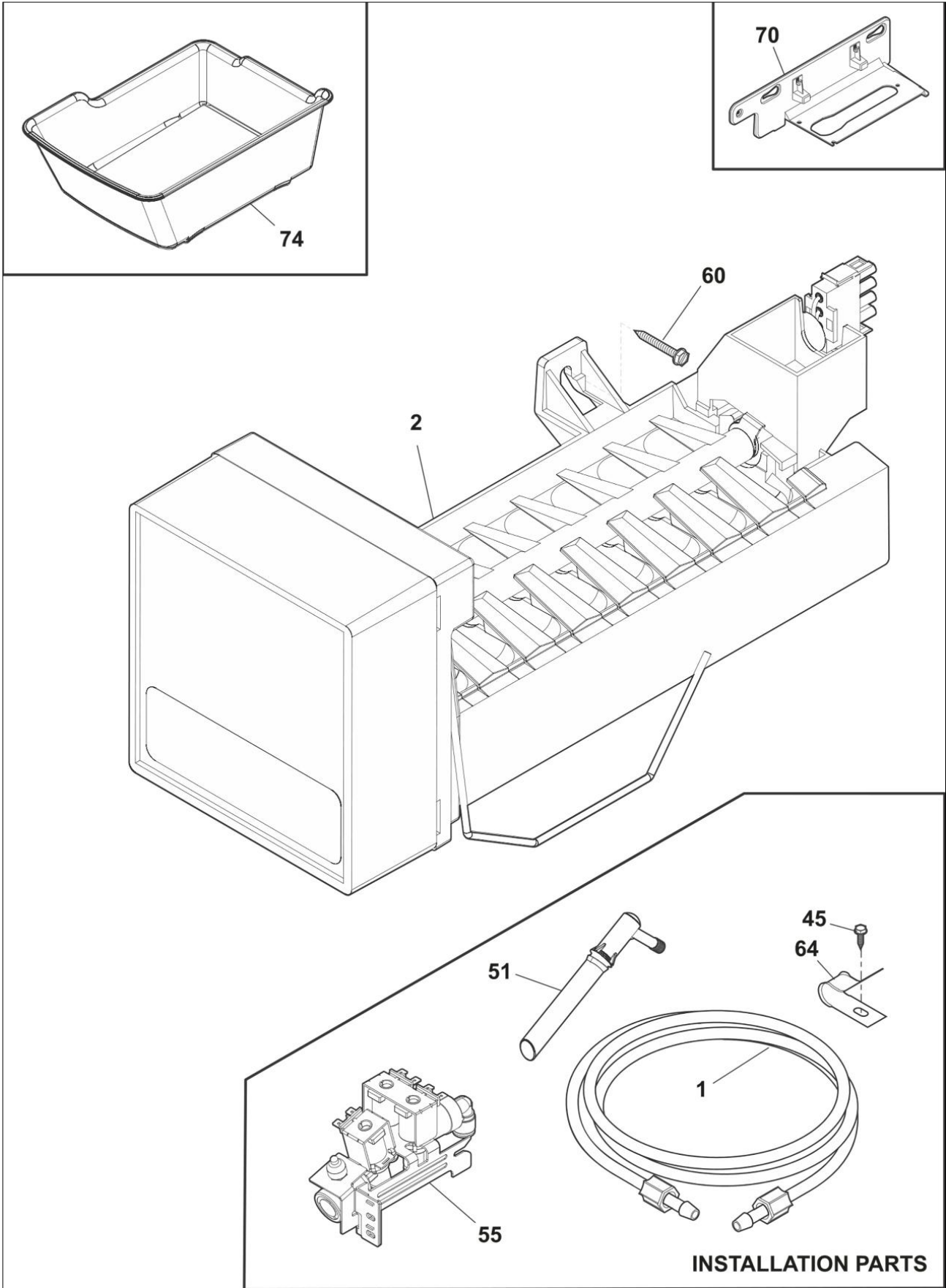


Item	Part No.	Name	Qty	Uom	NOTES
15	055761-000	LIGHT-LED	2	EA	
21	055784-000	SCREW, #8 - 18 X .380	2	EA	
22	055783-000	SCREW, QUAD HILO, #8-18	4	EA	
23	055845-000	Shelf-"Spill-Safe", cantilever, half width, slide under	1	EA	
24	055822-000	Shelf, sliding 1/2 wid, cantilever, "Spill-Safe"	3	EA	
25	055711-000	Frame-crisper cover, upper	1	EA	
26	055694-000	Pan-crisper	1	EA	
27	055862-000	Frame-deli cover, upper, cover kit	1	EA	
NI	055747-000	Harness-wiring, PTD main w/LED	1	EA	
NI	055748-000	Harness-wiring, PTD W/THERMISTOR	1	EA	
30	055789-000	Glass, 2 pane insulatd	1	EA	
47	055690-000	Glass-crisper frame	1	EA	
48	055696-000	Channel-shelf mtg, center	1	EA	
49	055695-000	Channel-shelf mtg, side, LH	1	EA	
50	055697-000	Channel-shelf mtg, side, RH	1	EA	
51	055721-000	Slide-deli	1	EA	
52	055691-000	Slide-crisper cover	1	EA	
58	055778-000	Screw, 8-18 x 3/8	2	EA	
62	055727-000	Pan-deli	1	EA	
66	055683-000	Rack-wine	1	EA	
100	055689-000	Support-crspr cover	1	EA	
107	055772-000	Cover-water tank	1	EA	
137	055880-000	Filter-water, water, carbon cassette, front, with o'rings	1	EA	
NI	055663-000	O-ring, wtr filter base	1	EA	
138	055760-000	Button-filter release	1	EA	
139	055656-000	Base-water filter	1	EA	
NI	055737-000	Screw, #6 x 1/2 HILO	2	EA	
143	055819-000	Support, rail	1	EA	
144	055714-000	Cover-deli air control	1	EA	
145	055713-000	Housing-deli air control	1	EA	
146	055787-000	Control-electronic, PTD	1	EA	





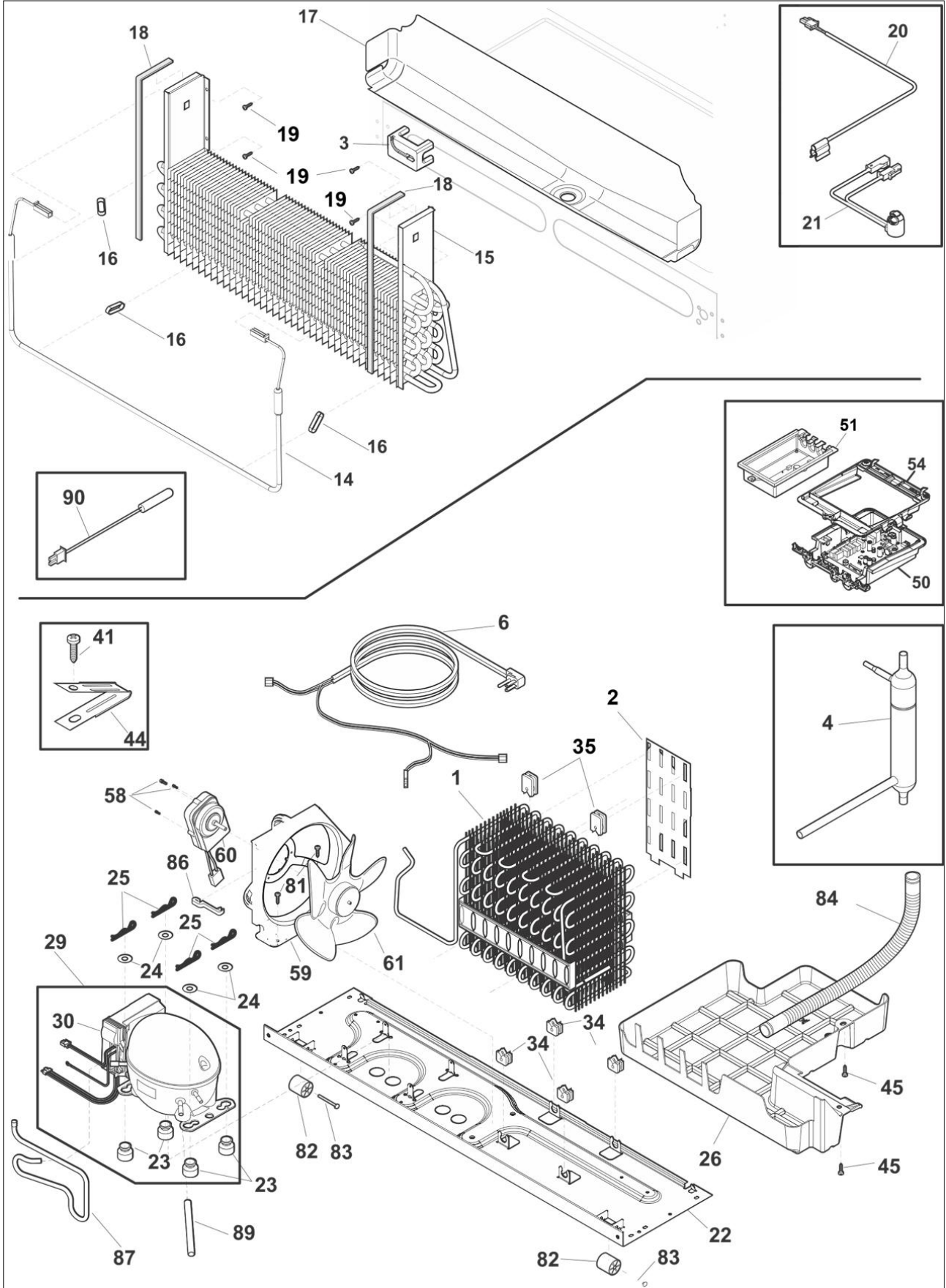
Item	Part No.	Name	Qty	Uom	NOTES
NI	055722-000	Harness-power PTD, w/thermistor	1	EA	
NI	055832-000	Clip, retainer, PTD board	1	EA	
147	055726-000	Fan Assembly, motor, with blade	1	EA	
NI	055777-000	Damper-rubber, PTD fan	1	EA	
148	055708-000	Heater-PTD, 115 V	1	EA	
NI	055662-000	SCREW, IND HEX WSHR HD, 8-32 X 0.375, TRILOBE	2	EA	
149	055803-000	Overlay, electronic, membrane switch	1	EA	
153	055698-000	Motor-damper	1	EA	
NI	055730-000	Harness-wiring, mixing valve	1	EA	
154	055759-000	Trim-crisper cover	1	EA	
NI	055799-000	SCREW, 8-18 X 1/2	2	EA	
155	055712-000	Frame-deli cover, lower	1	EA	
156	055757-000	Frame-crisper cover, lower	1	EA	
157	055758-000	Beam-crisper cover	1	EA	
158	055786-000	Board-main power, PTD	1	EA	
159	055720-000	Cap, PCBA hold down	1	EA	
199	055658-000	Rod	1	EA	
NI	055659-000	Spring-filter release rod	1	EA	
NI	055679-000	Screw	2	EA	

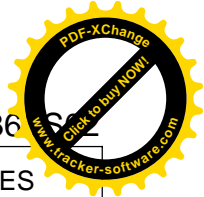
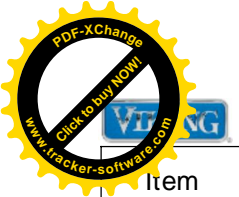




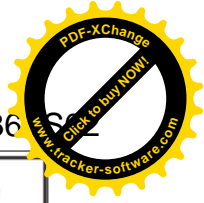
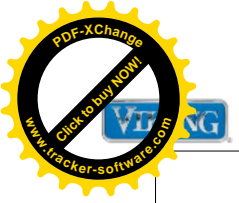
Item	Part No.	Name	Qty	Uom	NOTES
1	055843-000	Tube-water, .315 - 51", brown/tan	1	EA	
NI	055844-000	Tube-water, .315 - 51", natural	1	EA	
NI	055657-000	Clamp, tube/wiring, nylon, black/natural	1	EA	
NI	055841-000	Clip, tubing, 90 deg elbow	1	EA	
2	055861-000	Ice Maker, radius cube, 115 V, service	1	EA	
45	055857-000	Screw, hex hd wshr, #8-32 x 1/2	2	EA	
51	055863-000	Tubing Assembly, water, 1/4 - 44", green	1	EA	
55	055846-000	Valve, solenoid, triple	1	EA	
NI	055647-000	Screw, hex head, 10-32 x 0.500	2	EA	
NI	055653-000	Screw-shoulder	2	EA	
60	055855-000	Screw, hex washer head, 8-15A x 1.000, (2)	2	EA	
64	055869-000	Clamp-cable	2	EA	
70	055816-000	Bracket-ice maker	1	EA	
NI	055654-000	Screw, truss hd quad, #10-16 x .500, zinc	2	EA	
NI	055678-000	Screw, hex washer head, 8-32T x 0.375	2	EA	
74	055817-000	Container-ice	1	EA	
NI	055644-000	Screw, hex washer head, 8-18AB x 1.250, spacer	2	EA	
NI	055867-000	Screw, hex washer head, 8-15A x 0.625, Low Profile	2	EA	

Cooling System

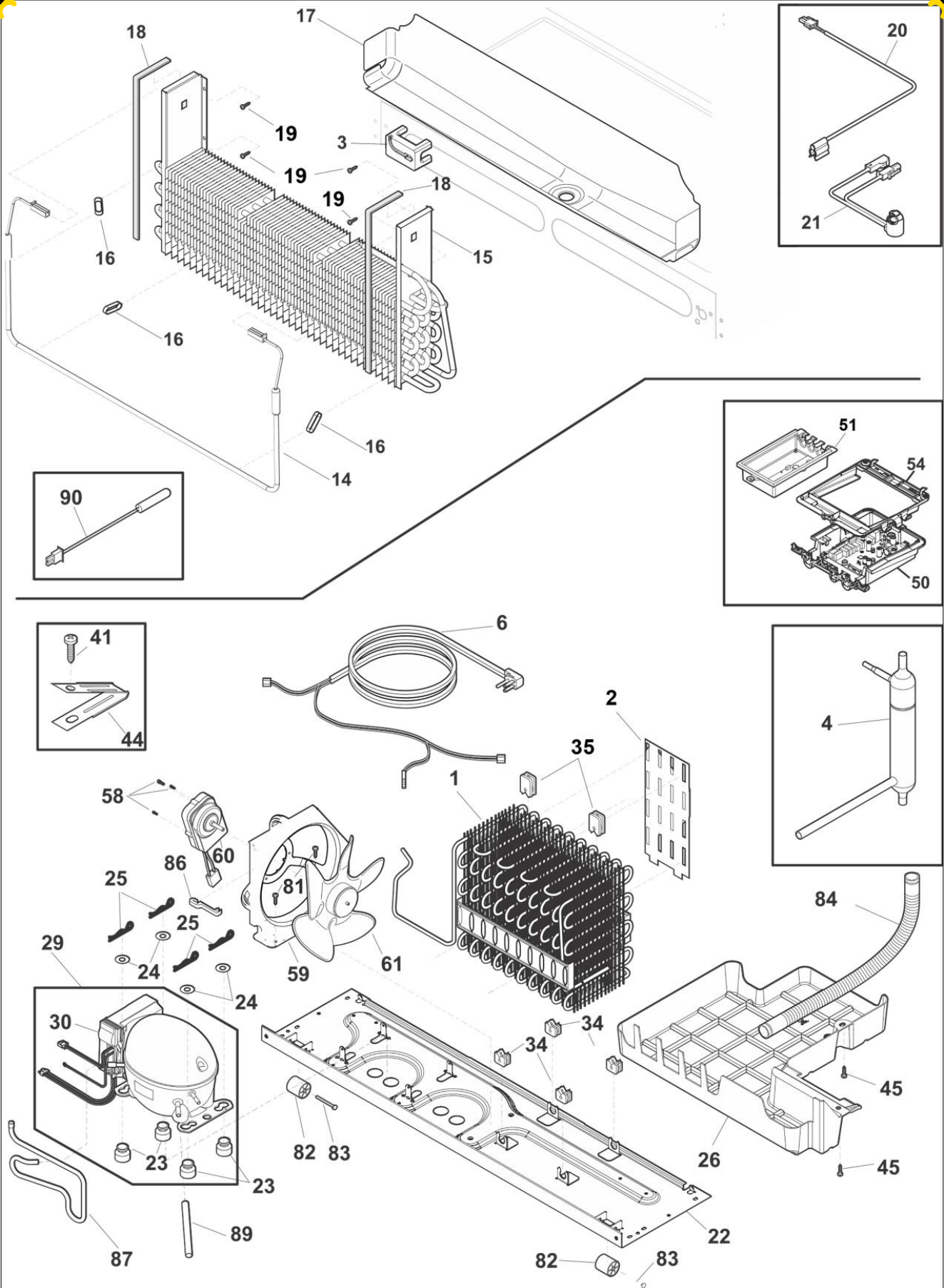




Item	Part No.	Name	Qty	Uom	NOTES
1	055749-000	Condenser	1	EA	
2	055793-000	Deflector-air, condenser	1	EA	
3	055733-000	Block-evap coil, styrofoam insul, RH	1	EA	
4	055856-000	Dryer-filter	1	EA	
6	055670-000	Cord-service	1	EA	
NI	055853-000	Harness-wiring, machine, Compartment	1	EA	
14	055858-000	Defrost Heater Kit, 28'	1	EA	
15	055809-000	Evaporator	1	EA	
16	055878-000	Strap-evap/heater, aluminum, (2)	1	EA	
17	055710-000	Trough-drain	1	EA	
18	055740-000	Gasket, closed cell	1	EA	
19	055644-000	Screw, hex washer head, 8-18AB x 1.250, spacer	2	EA	
20	055851-000	Thermistor, defrost temp	1	EA	
21	055850-000	Thermostat, defrost safety	1	EA	
22	055674-000	Base-compressor, w/rollers	1	EA	
NI	055643-000	Screw, #8 truss hd, 10-32CA x 0.500	1	EA	
23	055645-000	Grommet-compr mtg, (4)	4	EA	
24	055719-000	Washer-compr mtg	4	EA	
25	055807-000	Clip-spring	1	EA	
26	055770-000	Pan-defrost	1	EA	
29	055870-000	Compressor, w/inverter, hard wired, and grommets	1	EA	
30	055830-000	Invertor	1	EA	
34	055775-000	Grommet-cond mtg, (4)	4	EA	
35	055776-000	Grommet-cond mtg, (4)	4	EA	
41	055664-000	Screw-#8-32 X 3/8	2	EA	
44	055854-000	Clamp-service cord, strain relief, galv steel	1	EA	
45	055867-000	Screw, hex washer head, 8-15A x 0.625, Low Profile	4	EA	
50	055866-000	Board Assembly, main power, w/housing	1	EA	
51	055762-000	Board-main, LED	1	EA	

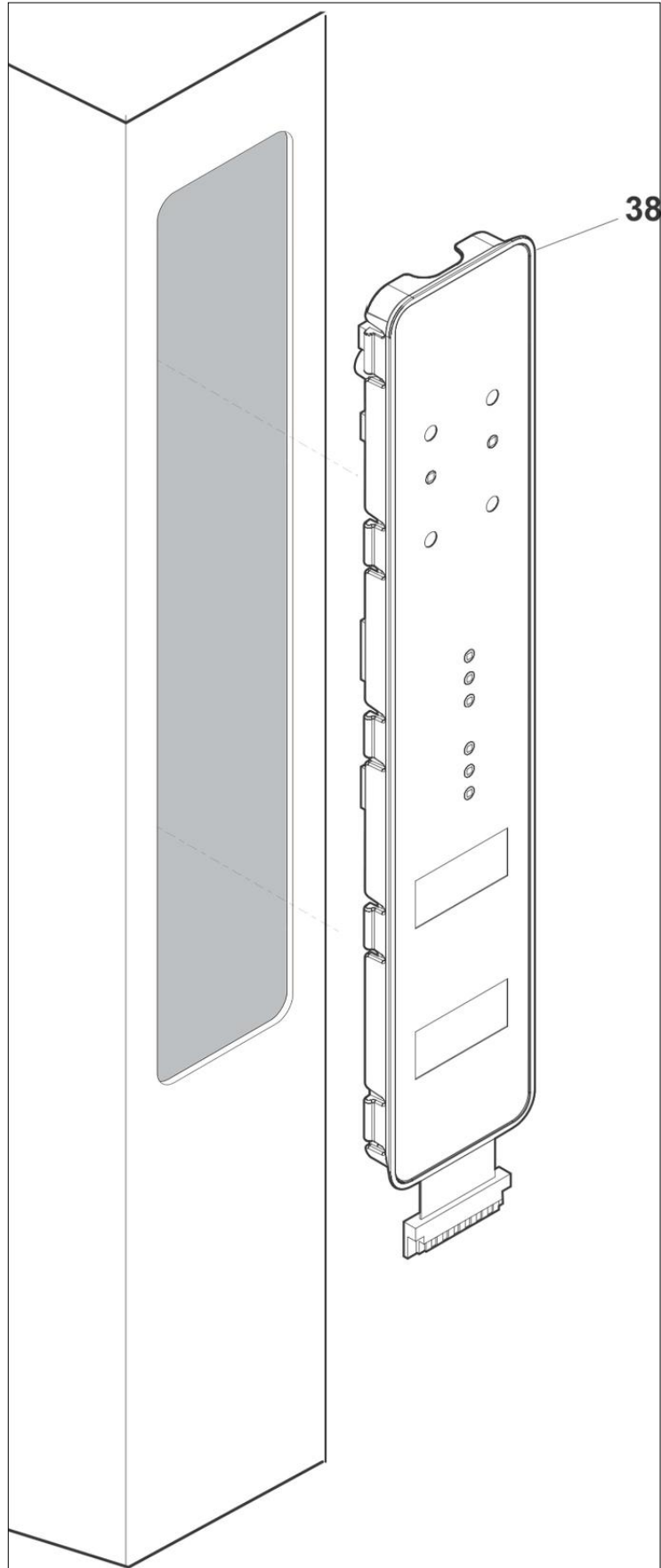


RVRF336





Item	Part No.	Name	Qty	Uom	NOTES
NI	055735-000	Clip, wiring harness	2	EA	
54	055848-000	Support, housing, main board	1	EA	
58	055665-000	Screw, 8-18 x 0.500	2	EA	
59	055779-000	Shroud-cond fan	1	EA	
NI	055651-000	Tape-foam seal, shroud	1	EA	
60	055801-000	Motor-condenser fan	1	EA	
61	055675-000	Blade-condenser fan	1	EA	
81	055652-000	Screw-fan shroud, (2)	2	EA	
82	055649-000	Roller, compressor base, rear	1	EA	
83	055868-000	Rivet, flat head, 1/4 OD x 1-3/4, roller pin	1	EA	
84	055728-000	Tube-drain	1	EA	
NI	055806-000	Clip-tube, drain	1	EA	
86	055660-000	Spacer-cond tube, black	1	EA	
87	055755-000	Tube-connector, suction	1	EA	
89	055640-000	Tube-process	1	EA	
90	055667-000	Sensor, temperature, 10K, NTC	1	EA	
NI	055859-000	Hot Tube Repair Kit, service	1	EA	
NI	055860-000	Heat Exchanger Kit, suction line, service	1	EA	
NI	055669-000	Harness-dispenser, grounding	1	EA	
NI	055647-000	Screw, hex head, 10-32 x 0.500	2	EA	
NI	055780-000	Spacer, heat exchanger	1	EA	

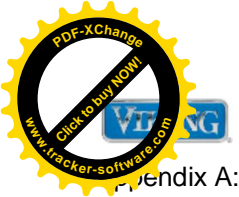




RVRF336



Item	Part No.	Name	Qty	Uom	NOTES
38	055814-000	User Interface,, assembly, grey, w/board & pad	1	EA	
NI	055669-000	Harness-dispenser, grounding	1	EA	



RVRF336



Appendix A:Pages Index

Cabinet Assy	1
Control	7
Cooling System	6
Freezer Drawer Basket	2
Fresh Food Door Assy	3
Icemaker	5
Shelves	4



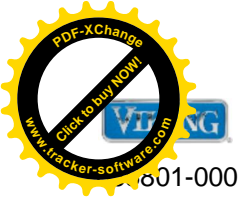
Appendix B: Parts Index

042116-000	3	055674-000	6
053663-000	2, 3	055675-000	3
053669-000	2, 3	055676-000	2
053670-000	3	055677-000	5
053671-000	2	055678-000	1, 4
055639-000	1	055679-000	1
055640-000	6	055680-000	1
055641-000	1	055681-000	1
055642-000	1	055682-000	4
055643-000	1, 6	055683-000	3
055644-000	1, 5, 6	055684-000	1
055645-000	6	055685-000	1
055646-000	1	055686-000	1
055647-000	5, 6	055687-000	1
055648-000	1	055688-000	1
055649-000	6	055689-000	4
055650-000	1	055690-000	4
055651-000	6	055691-000	4
055652-000	6	055692-000	2
055653-000	5	055693-000	2
055654-000	5	055694-000	4
055655-000	2	055695-000	4
055656-000	4	055696-000	4
055657-000	5	055697-000	4
055658-000	4	055698-000	4
055659-000	4	055699-000	3
055660-000	6	055701-000	1
055661-000	1	055702-000	3
055662-000	3, 4	055703-000	3
055663-000	4	055704-000	3
055664-000	6	055705-000	3
055665-000	6	055706-000	2
055666-000	1	055707-000	2
055667-000	1, 6	055708-000	4
055668-000	1	055709-000	3
055669-000	6, 7	055710-000	6
055670-000	6	055711-000	4
055671-000	1	055712-000	4
055672-000	1	055713-000	4
055673-000	1	055714-000	4
		055715-000	3



RVRF336

055716-000	3	055757-000	4
055717-000	3	055758-000	4
055718-000	2, 3	055759-000	4
055719-000	6	055760-000	4
055720-000	4	055761-000	1, 3, 4
055721-000	4	055762-000	1, 6
055722-000	4	055765-000	2
055723-000	2	055766-000	2
055724-000	2	055767-000	3
055725-000	2	055768-000	3
055726-000	4	055769-000	1
055727-000	4	055770-000	6
055728-000	6	055771-000	1
055729-000	2	055772-000	4
055730-000	4	055774-000	1, 1
055731-000	3	055775-000	6
055732-000	3	055776-000	6
055733-000	6	055777-000	4
055734-000	1	055778-000	4
055735-000	1, 6	055779-000	6
055736-000	1	055780-000	6
055737-000	4	055781-000	1
055738-000	1	055782-000	2
055739-000	1	055783-000	1, 2, 3, 4
055740-000	6	055784-000	1, 2, 4
055741-000	1	055785-000	1
055742-000	1	055786-000	4
055743-000	1	055787-000	4
055744-000	1	055788-000	1
055745-000	1	055789-000	4
055746-000	1	055790-000	1
055747-000	4	055791-000	2
055748-000	4	055792-000	2, 3
055749-000	6	055793-000	6
055750-000	1	055794-000	2
055751-000	1	055795-000	3
055752-000	1	055796-000	1
055753-000	3	055797-000	1
055754-000	3	055798-000	2
055755-000	6	055799-000	1, 2, 3, 4
055756-000	1	055800-000	3



RVRF336

055801-000	6	055842-000	5
055802-000	1	055843-000	5
055803-000	4	055844-000	5
055804-000	2	055845-000	4
055805-000	2	055846-000	5
055806-000	6	055847-000	3
055807-000	6	055848-000	1, 6
055808-000	2	055849-000	1
055809-000	6	055850-000	6
055810-000	3	055851-000	6
055811-000	1	055852-000	3
055812-000	3	055853-000	6
055813-000	3	055854-000	6
055814-000	7	055855-000	5
055815-000	1	055856-000	6
055816-000	5	055857-000	5
055817-000	5	055858-000	6
055818-000	1	055859-000	6
055819-000	4	055860-000	6
055820-000	1	055861-000	5
055821-000	3	055862-000	4
055822-000	4	055863-000	5
055823-000	1	055864-000	2
055824-000	3	055865-000	2
055825-000	3	055866-000	1, 6
055826-000	1	055867-000	1, 5, 6
055827-000	2	055868-000	6
055828-000	1	055869-000	5
055829-000	1	055870-000	6
055830-000	6	055871-000	2
055831-000	2	055877-000	1
055832-000	4	055878-000	6
055833-000	1	055879-000	3
055834-000	2	055880-000	4
055835-000	1	057355-000	2
055836-000	1	057356-000	2
055837-000	1	057357-000	2
055838-000	3	057360-000	2, 3
055839-000	3	067210-000	3
055840-000	3	067211-000	3
055841-000	5		