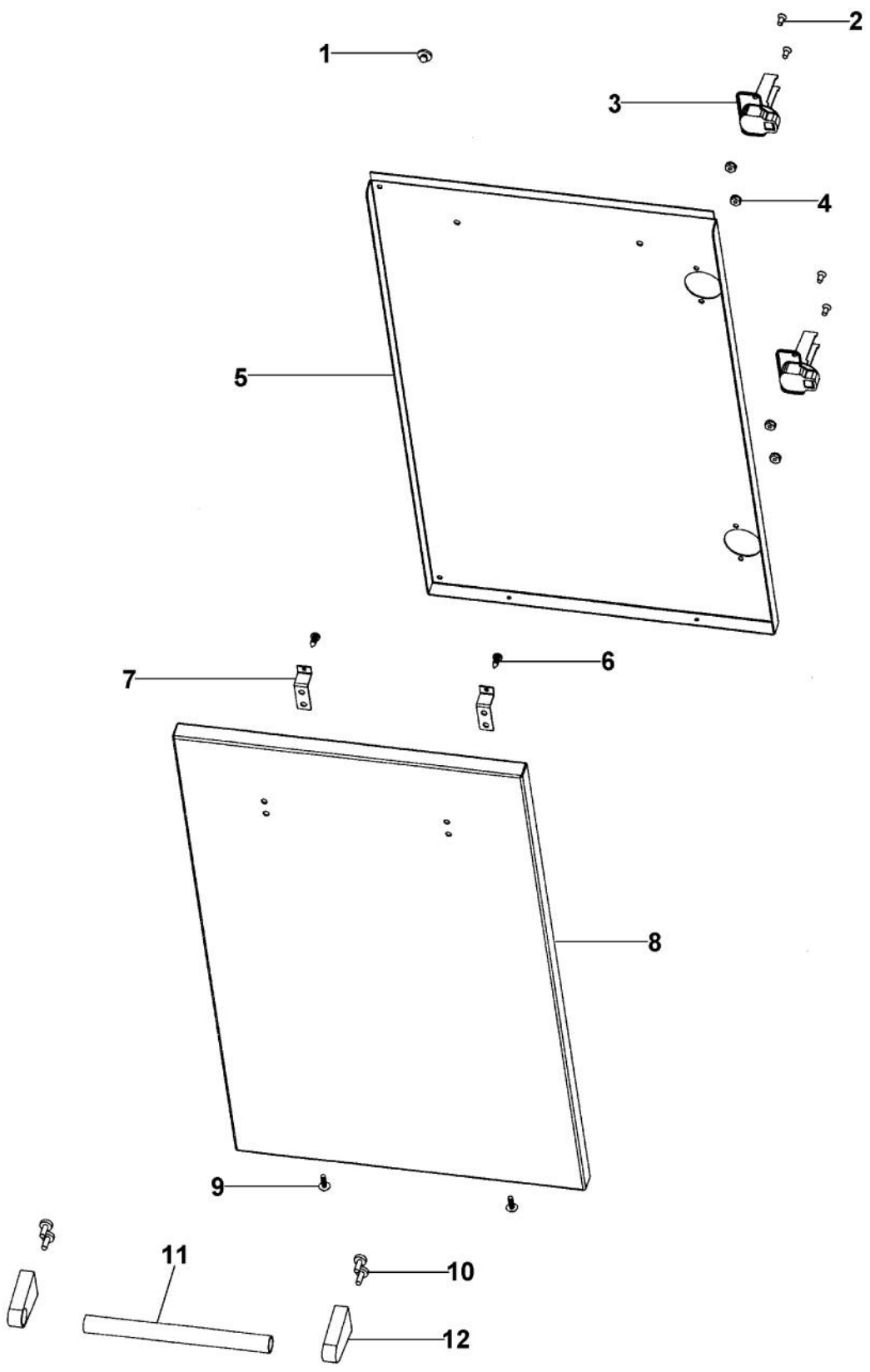
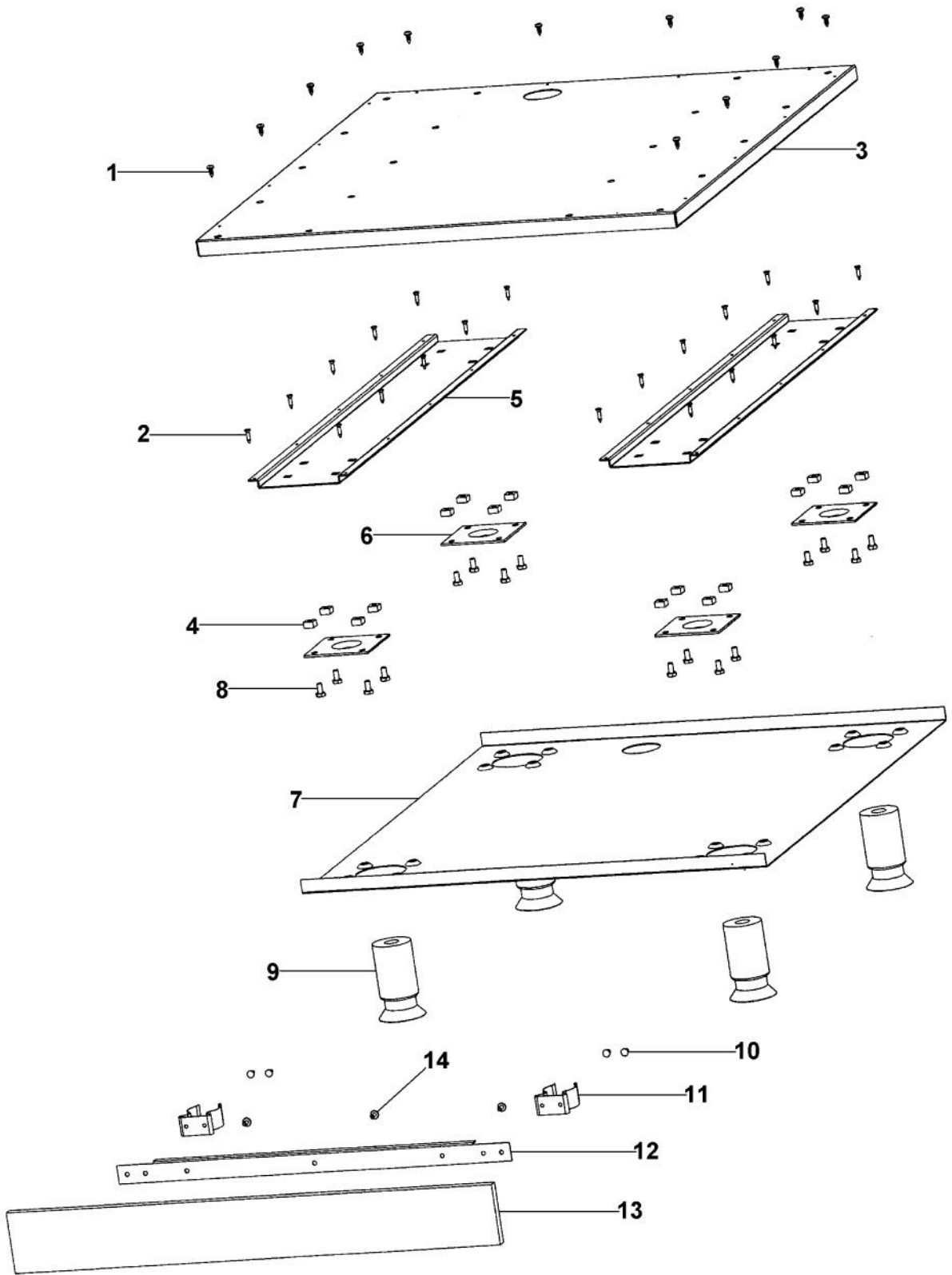


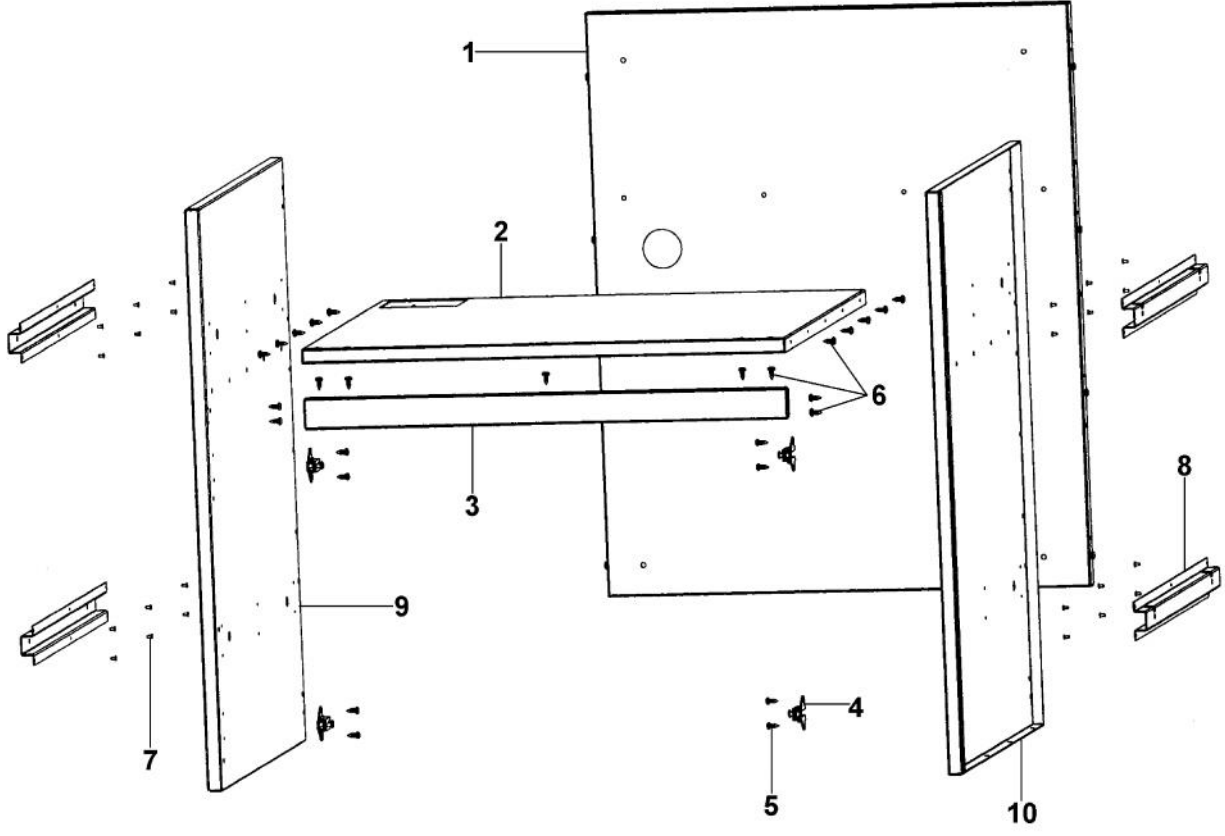
Ref #	Part Number	Qty.	Description
1	PD020119		8-32X3/8 PH CTR. MACH.SCREW S.S.
2	PC020172		DOOR HINGE (BBQ)
3	PD030098		8-32 HEX KEP NUT S.S.
4	PD040004		GROMMET BUMPER
5	B20014673		LH INNER DOOR (VBBO2602)
6	PD020120		8 X 1/2 TEK SHEET METAL SCREW
7	B20013950		HANDLE BRACKET (VBO/VTPO18)
8	B30014672		O/S DOOR (VBBO2602)
9	PD020139		NO.8 X 1/2 P.H. FLAT TOP TRUSS U/C NO.2 TYPE AB 30 SS/...
10	PD020056		NO.10-24 X 1/2 PH.TR. M.S. SS
11	PE030187		ENDCAP, TUBE
12	PE030189		CABINET HANDLE
NI	G32014674SS		LH DOOR ASSEMBLY (VBBO2602)



Ref #	Part Number	Qty.	Description
1	PD040004		GROMMET BUMPER
2	PD020119		8-32X3/8 PH CTR. MACH.SCREW S.S.
3	PC020172		DOOR HINGE (BBQ)
4	PD030098		8-32 HEX KEP NUT S.S.
5	B20014675		RH INNER DOOR (VBBO2602)
6	PD020120		8 X 1/2 TEK SHEET METAL SCREW
7	B20013950		HANDLE BRACKET (VBO/VTPO18)
8	B30014672		O/S DOOR (VBBO2602)
9	PD020139		NO.8 X 1/2 P.H. FLAT TOP TRUSS U/C NO.2 TYPE AB 30 SS/...
10	PD020056		NO.10-24 X 1/2 PH.TR. M.S. SS
11	PE030189		CABINET HANDLE
12	PE030187		ENDCAP, TUBE
NI	G32014676SS		RH DOOR ASSEMBLY (VBBO2602)



Ref #	Part Number	Qty.	Description
1	PD020055		NO.10 X 1/2 PAN PHIL. TEK. SS
2	PD020061		NO.8 X 3/4 FLAT HD TEK. SS.
3	B20014668		MAIN BOTTOM (VBBO2602)
4	PD030043		1/4-20 CAGE NUT SS
5	A20013935		LEG BRACE (VQBO3021)
6	PC030007		LEG PLATE - 3/4 THREADED HOLE
7	B20014669		BOTTOM COVER (VBBO2602)
8	PD010006		HEX HD. BOLT - 1/4-20 X 1/2
9	PC030017		4 LEG ASSY
10	PC040003		POP RIVET - SB64 3/16DIA.X 3/8
11	PD030002		LOWER ACC PAN SPRING CLAMP (SYWE1)
12	A20014681		26 KICK PLATE MOUNT BRKT
13	PK030494		26 KICK PLATE 26.500 X 3.250
14	PD020002		10 X 1/2 PH.TR.HD.SMS.



Ref #	Part Number	Qty.	Description
1	B20014670		REAR (VBBO2602)
2	B20014671		TOP (VBBO2602)
3	B20014677		TOP SUPPORT (VBBO2602)
4	PC020173		DOOR HINGE RECEIVER (BBQ)
5	PD020120		8 X 1/2 TEK SHEET METAL SCREW
6	PD020055		NO.10 X 1/2 PAN PHIL. TEK. SS
7	PC040014		POP RIVOT-SS42 SS
8	A20013956		MOUNT BRACKET (CABINETS)
9	B20013937		LH I/S SIDE (VQBO3021)
10	B20014659		RH I/S SIDE (VKBO/VBBO)