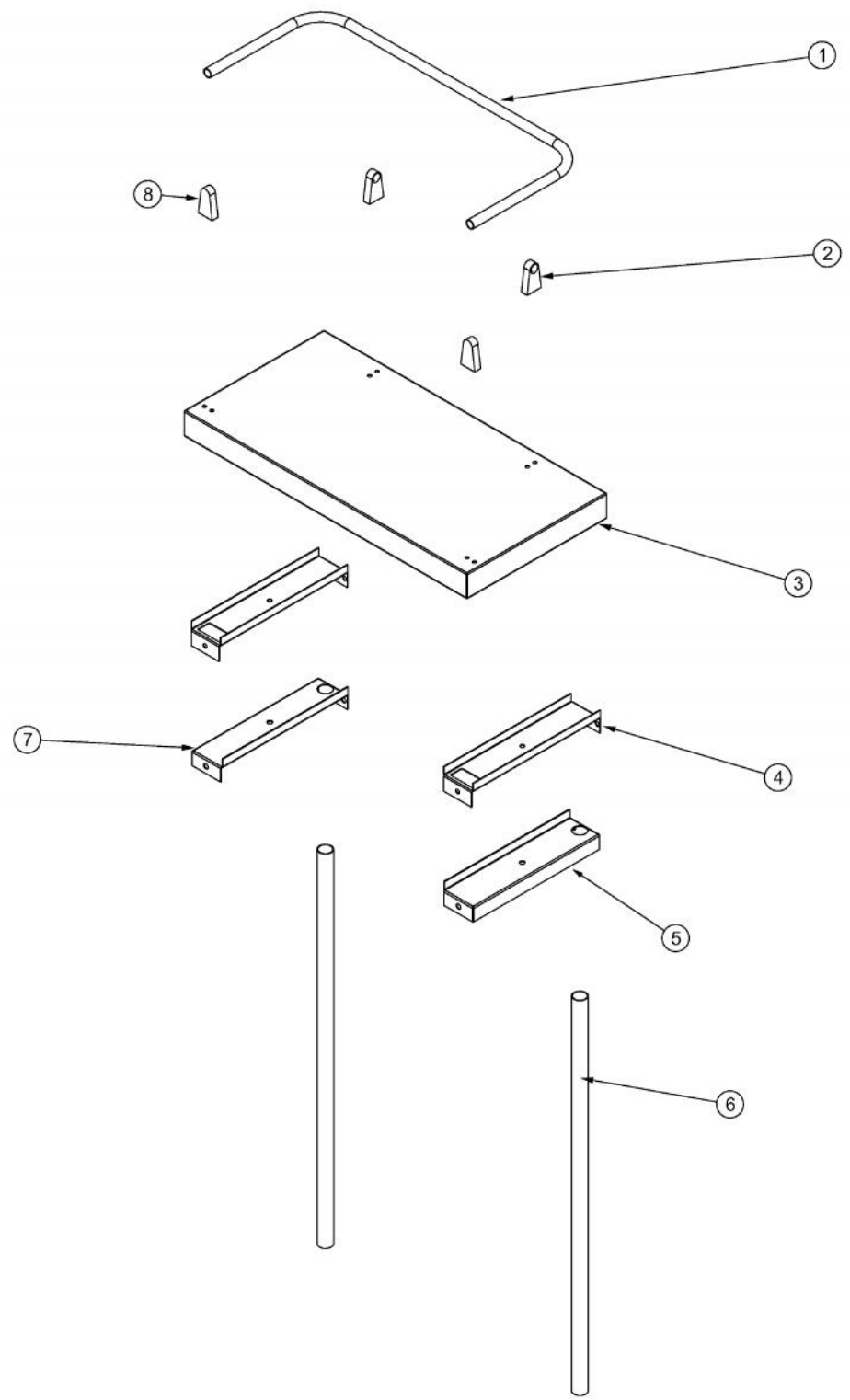
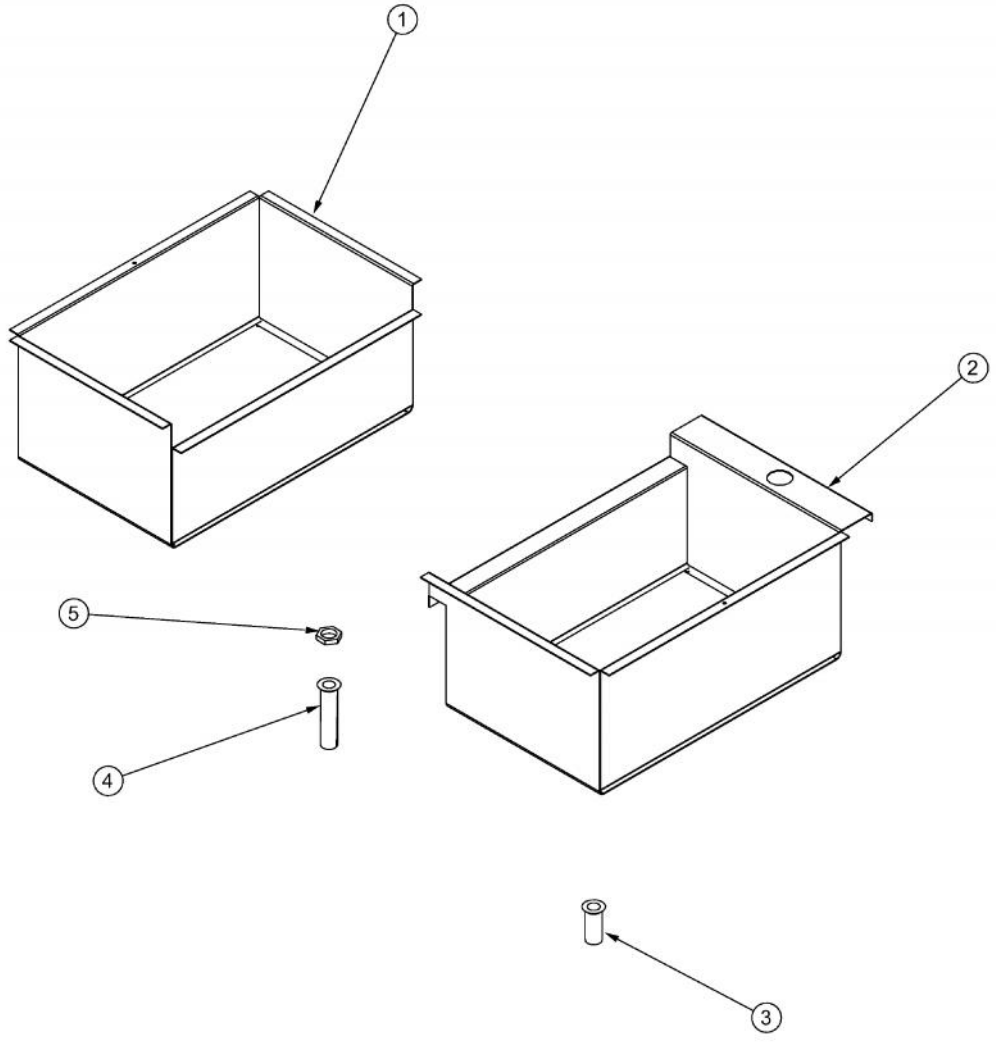


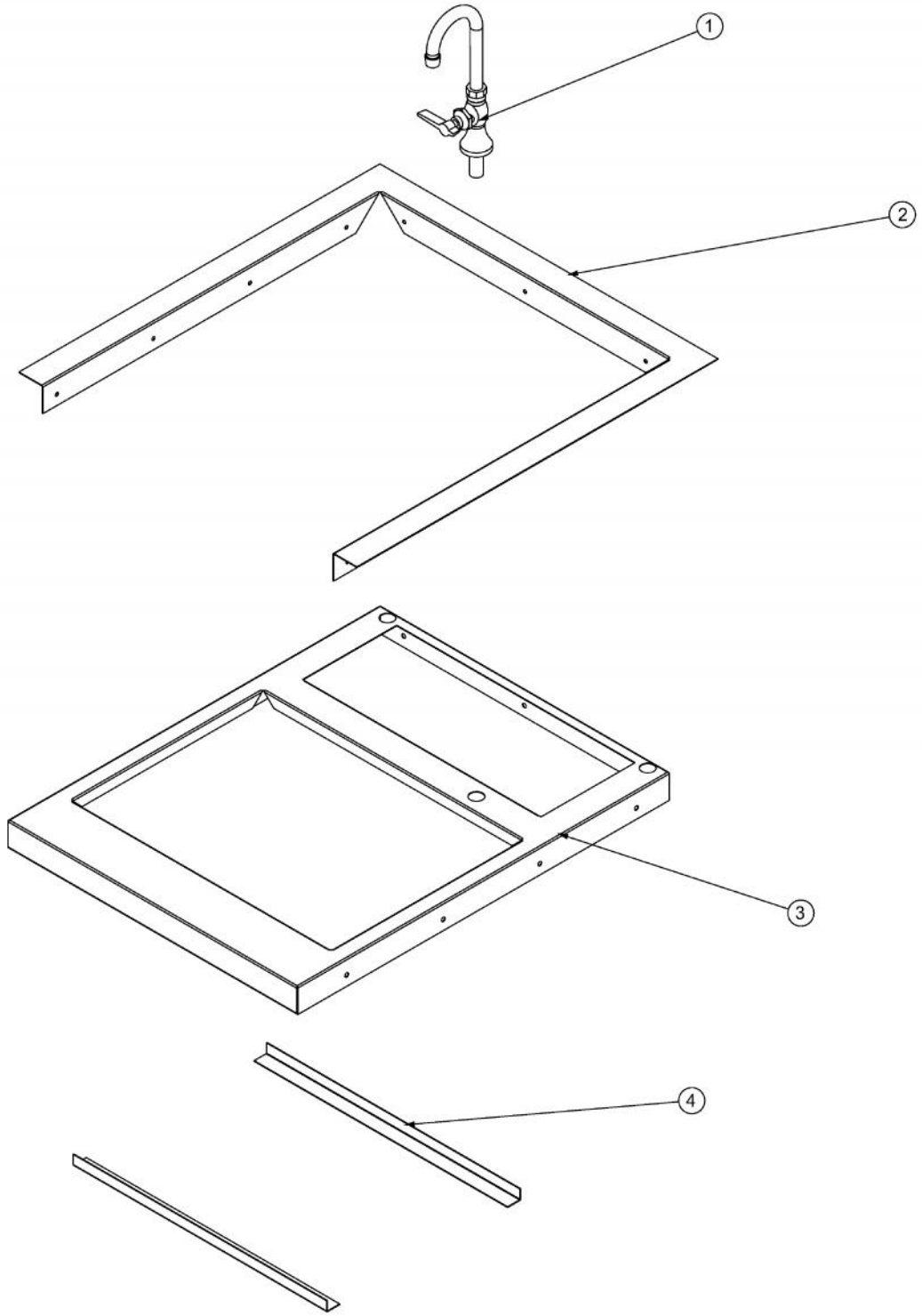
Ref #	Part Number	Qty.	Description
1	019703-000	2	GUIDE, HI SHELF, TUBE
2	019699-000	1	OUTER BODY, 24
3	019700-000	1	OUTER BODY BACK
4	019701-000	1	COVER INSULATION
5	019681-000	1	BOTTLE OPENER, SS
6	019694-000	1	CAP CATCH, REAR
7	019693-000	1	CAP, CATCH, FRONT
8	019692-000	1	SPEED RAIL, BASE
9	019691-000	1	SPEED RAIL, FRONT
10	PE010016	1	NAMEPLATE, LOGO, PRO
11	019680-000	6	WELD, BUTTON 1/4 X 1/2
12	PD020120	4	8 X 1/2 TEK SHEET METAL SCREW



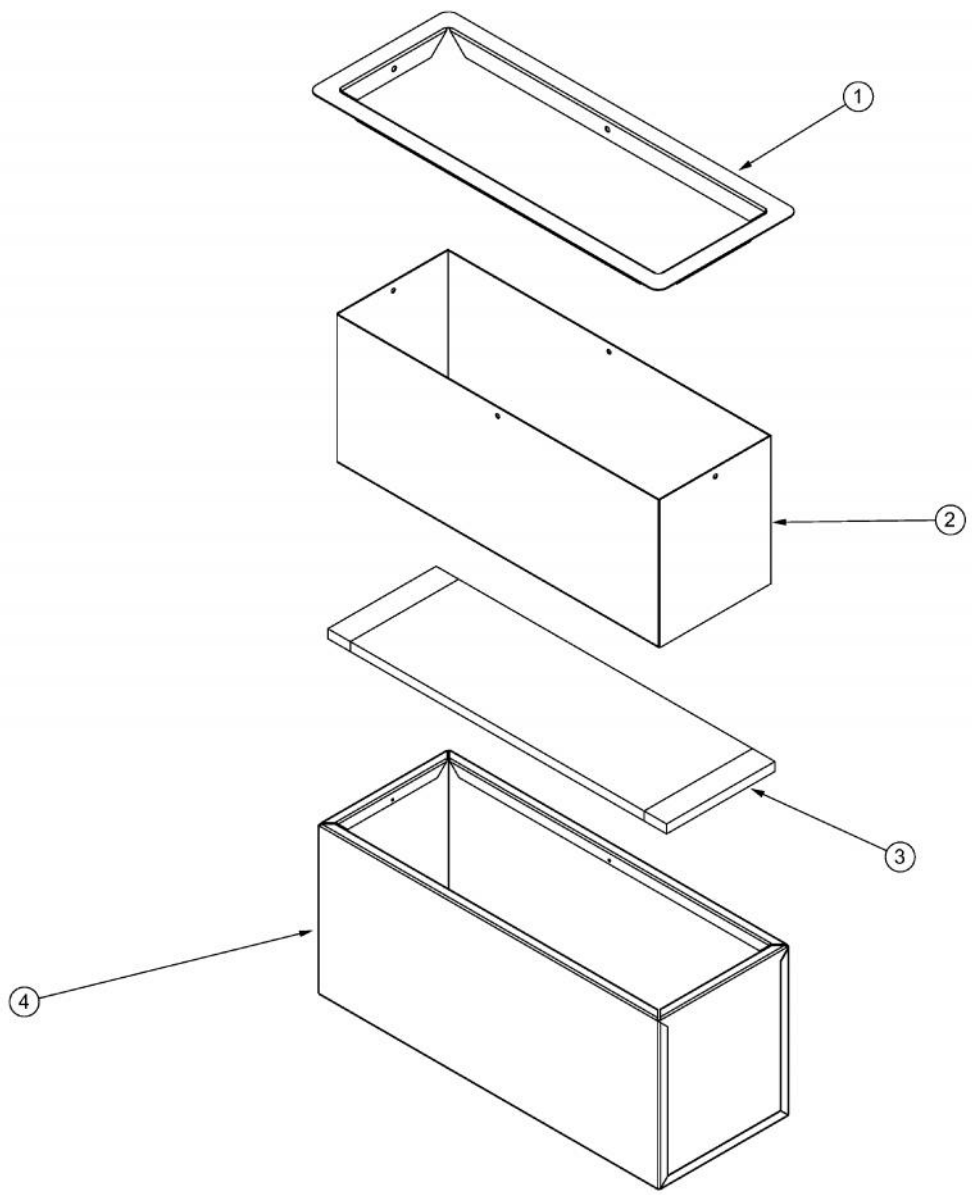
Ref #	Part Number	Qty.	Description
1	019798-000	1	TUBE, VERTICAL TOP SHELF V24 (.5 DIA)
2	PE030052	2	SUPPORT TUBE, HOLE THROUGH
3	019794-000	1	TOP SHELF,24
4	019795-000	2	TOP SHELF, SUPPORT CHANNEL
5	019797-000	1	BRACKET, TOP SHELF, RH
6	019799-000	2	TUBE, VERTICAL TOP SHELF V24(1 DIA)
7	019796-000	1	BRACKET, TOP SHELF, LH
8	PE030187	2	ENDCAP, TUBE



Ref #	Part Number	Qty.	Description
1	019710-000	1	ICE, COMPARTMENT
2	019709-000	1	SINK, BODY
3	019675-000	1	DRAIN, SINK (1/2 NPS X 2)
4	019677-000	1	DRAIN, SINK (1/2 NPS X 3-1/2)
5	019675-000	1	DRAIN, SINK (1/2 NPS X 2)



Ref #	Part Number	Qty.	Description
1	019711-000	1	FAUCET
2	019698-000	1	TRIM, TOP
3	019695-000	1	TOP FRAME, 24
4	019696-000	2	TOP FRAME, ANGLE, 24



Ref #	Part Number	Qty.	Description
1	019704-000	1	DRINK MIX, TOP TRIM
2	019705-000	1	DRINK MIX, BODY
3	019689-000	1	INSULATION, STYROFOAM, 7/8 X 6-1/4 X 18-1/4, DRINK MIX,...
4	019708-000	1	DRINK MIX, COVER, FRONT, ENDCAP