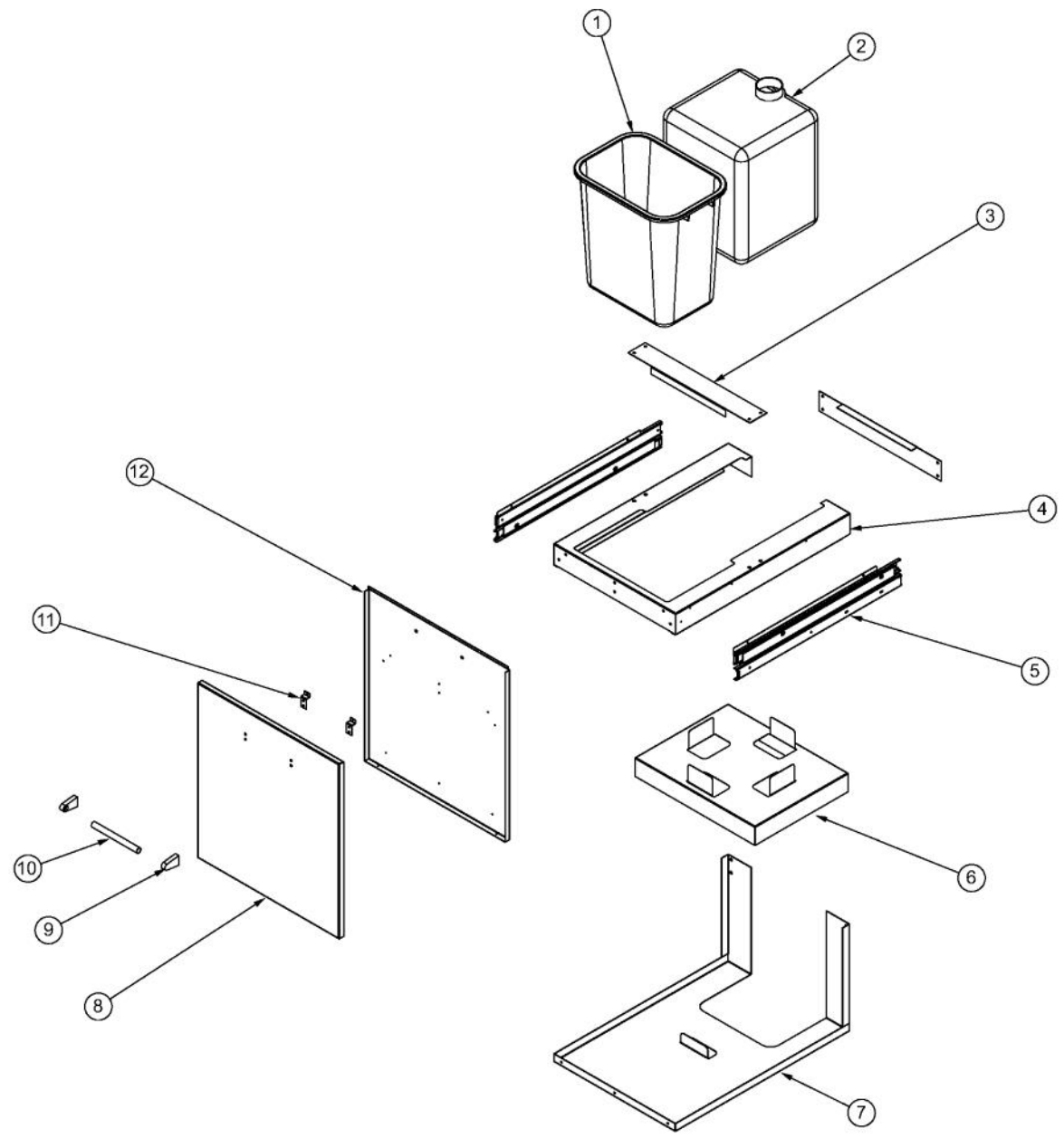
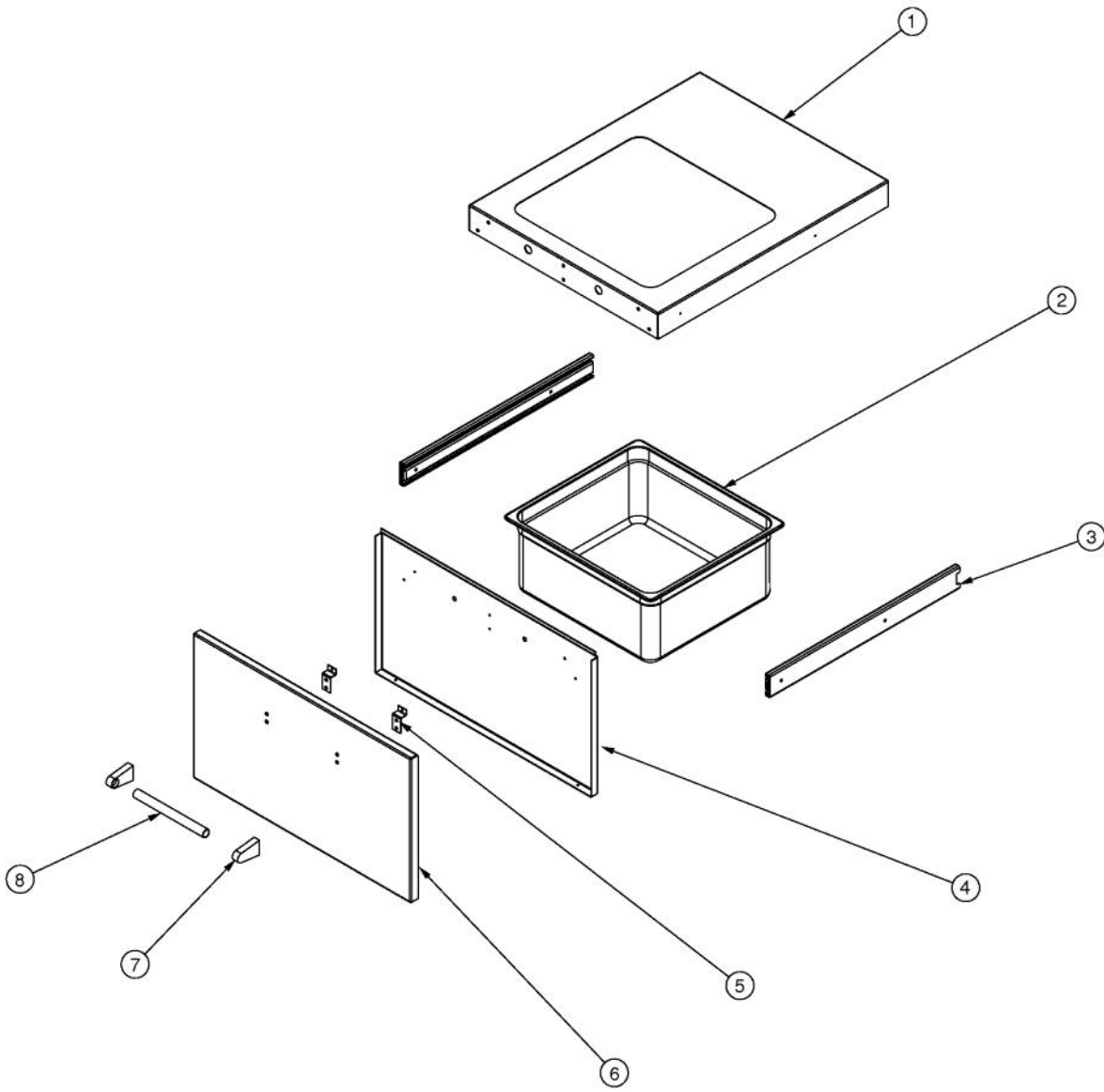


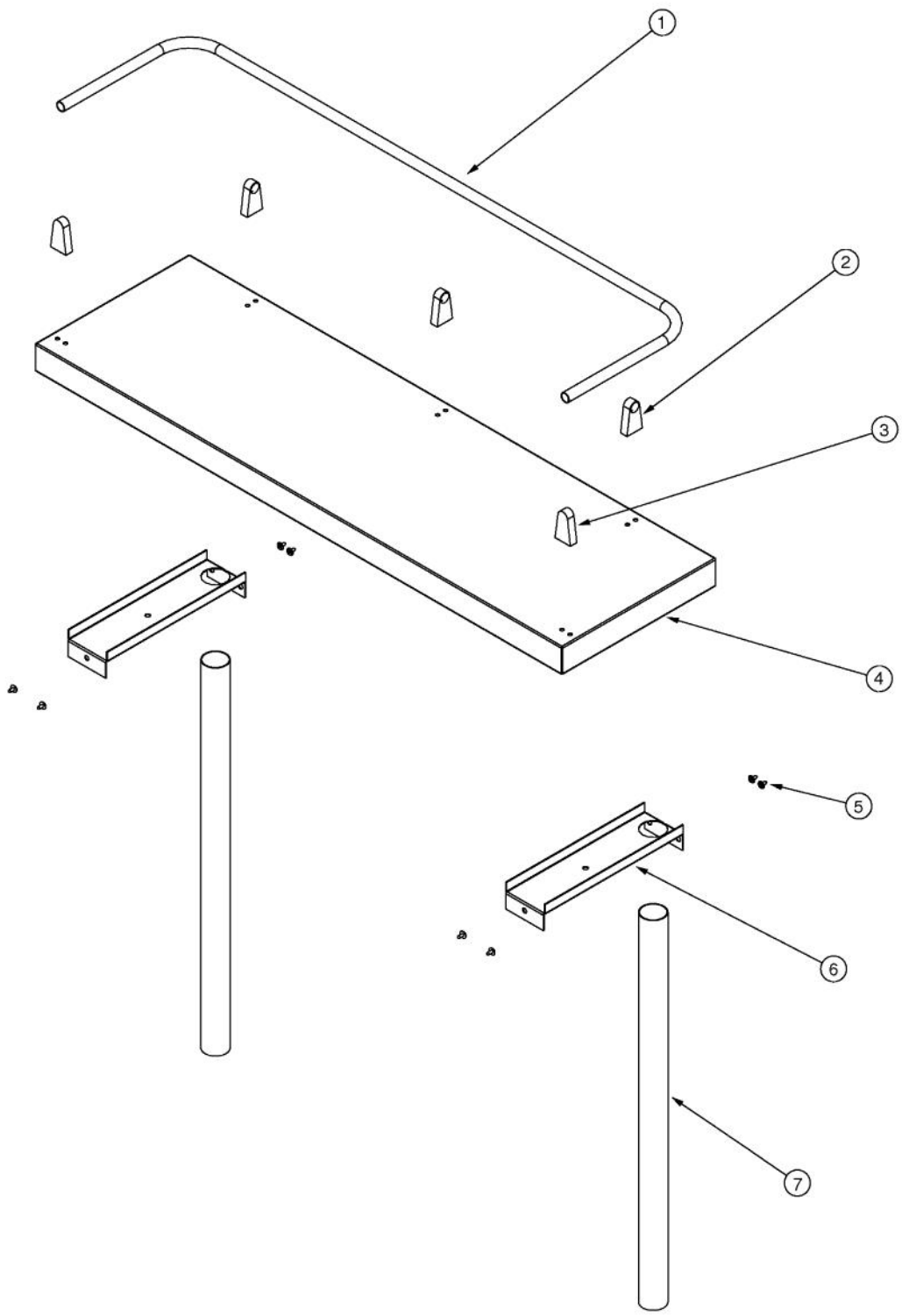
Ref #	Part Number	Qty.	Description
1	019874-000	1	SLIDE PANEL
2	019838-000	1	CONDIMENT BIN (2/3 SIZE)
3	020285-000	1	SINK, 41
4	019675-000	2	DRAIN, SINK (1/2 NPS X 2)
5	019865-000	2	HINGE REINFORCEMENT PLATE
6	019858-000	1	BRACKET, HI RISER, TUBE GUIDE
7	019858-000	2	BRACKET, HI RISER, TUBE GUIDE
8	019859-000	1	BACK PANEL, BOTTOM
9	020007-000	12	WELD NUT, 1/4X20
10	019821-000	1	WATER, OUTLET, CONNECTOR
11	019867-000	1	BRACKET, WATER, FITTING
12	019853-000	1	MIDDLE PANEL
13	020014-000	2	SLIDE CHANNEL
14	019852-000	1	SIDE PANEL, RH
15	019857-000	1	DRAWER, SLIDE SUP, RH
16	019860-000	1	DRAWER, SLIDE SUP MIDDLE
17	019820-000	1	WATER, INLET, CONNECTOR
18	PD020055	12	NO.10 X 1/2 PAN PHIL. TEK. SS
19	019850-000	2	LEG CHANNEL
20	PC030017	4	4 LEG ASSY
21	PC030007	4	LEG PLATE - 3/4 THREADED HOLE
22	019849-000	1	CABINET BASE
23	020006-000	2	HOLE PLATE, STAR BOARD
24	019891-00	1	WASTE WATER, BOTTOM LINER
25	019887-000	1	CAP CATCH, FRONT
26	019681-000	1	BOTTLE OPENER, SS
27	019890-000	1	SPEED RAIL, BASE
28	019855-000	1	FRONT PANEL, FILLER LH
29	PE010016	1	NAMEPLATE, LOGO, PRO
30	019888-000	1	CAP CATCH, REAR
31	019680-000	6	WELD, BUTTON 1/4 X 1/2
32	019854-000	1	FRONT PANEL
33	019856-000	1	DRAWER, SLIDE SUP, LH
34	019871-000	1	BIG CONTAINER, FRONT
35	019872-000	1	BIG CONTAINER, LH
36	019851-000	1	SIDE PANEL, LH
37	019862-000	1	PANEL, REINFORCEMENT LH



Ref #	Part Number	Qty.	Description
1	019822-000	1	TRASH CAN
2	019823-000	1	WATER CONTAINER
3	019881-000	2	TRASH DRAWER, REAR ANGLE
4	019878-000	1	TRASH DRAWER, TOP FRAME
5	019825-000	2	24 HD SLIDE, 150NO. PAIR
6	019880-000	1	WASTE WATER, PANEL
7	019879-000	1	TRASH DRAWER, BOTTOM FRAME
8	019875-000	1	TRASH DRAWER, FRONT PANEL
9	PE030187	2	ENDCAP, TUBE
10	019816-000	1	TUBE, HANDLE, DRAWER, 41
11	019877-000	2	LINER, HANDLE, BRACKET
12	019876-000	1	TRASH DRAWER, LINER

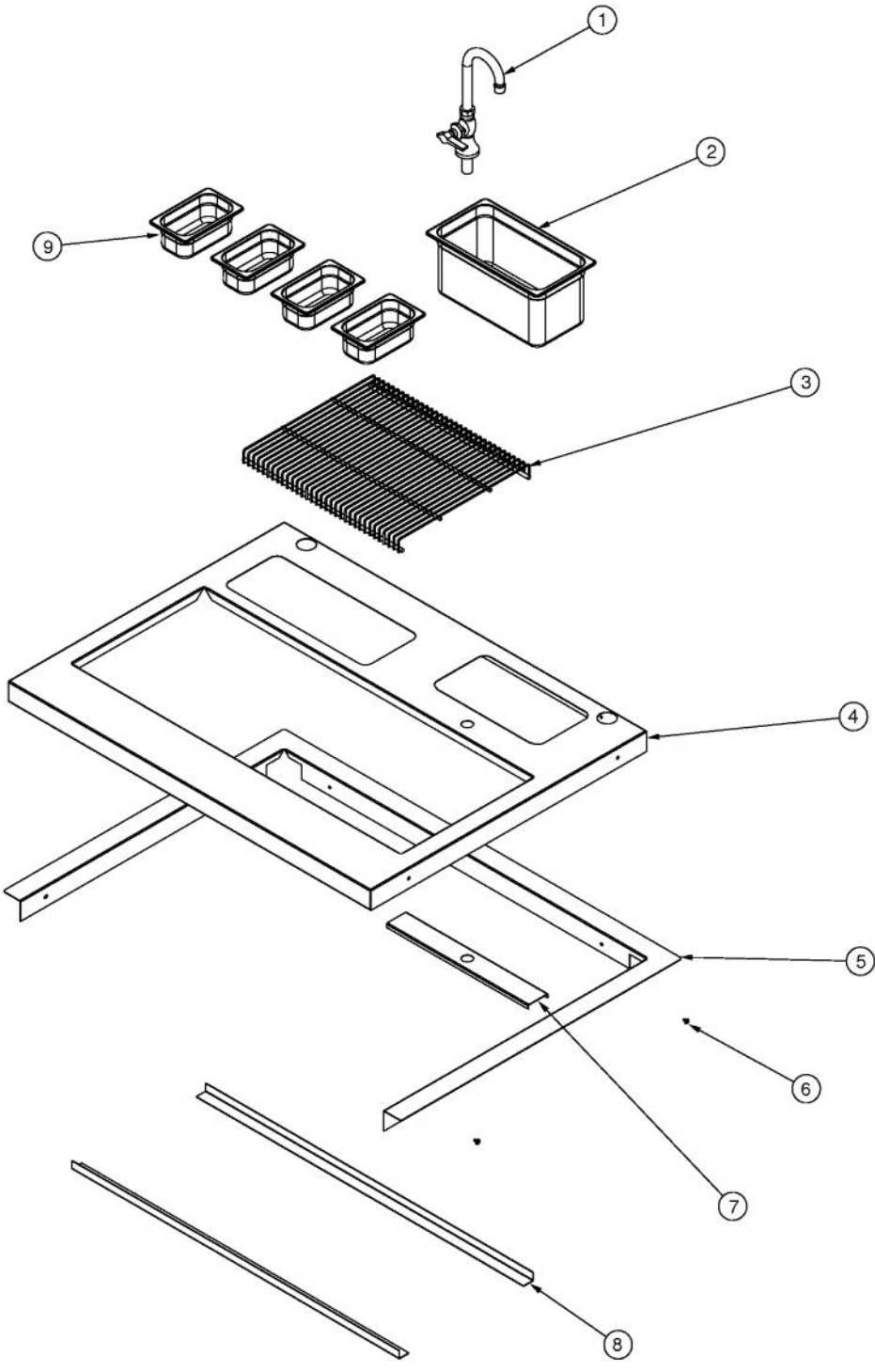


Ref #	Part Number	Qty.	Description
1	019884-000	1	CONDIMENT DRAWER, TRAY
2	01838-000	1	CONDIMENT BIN (2/3 SIZE)
3	020010-000	2	18 SLIDE, (SELF-CLOSE, PAIR)
4	019883-000	1	CONDIMENT DRAWER, LINER
5	019877-000	2	LINER, HANDLE, BRACKET
6	019882-000	1	CONDIMENT DRAWER, FRONT PANEL
7	PE030187	2	ENDCAP, TUBE
8	019816-000	1	TUBE, HANDLE, DRAWER, 41



Ref #	Part Number	Qty.	Description
1	019817-000	1	TUBE, BENT, TOP SHELF, 41 (5/8 DIA)
2	PE030052	3	SUPPORT TUBE, HOLE THROUGH
3	PE030187	2	ENDCAP, TUBE
4	019892-000	1	TOP SHELF, 41
5	PD020055	8	NO.10 X 1/2 PAN PHIL. TEK. SS
6	019893-000	2	TOP SHELF, BRACKET
7	019818-000	2	TUBE, VERTICAL, TOP SHELF, 41 (1 DIA)





Ref #	Part Number	Qty.	Description
1	019711-000	1	FAUCET
2	019837-000	1	ADDITIONAL DRINK MIX BIN (1/3 SIZE)
3	019824-000	1	WIRE RACK, 41
4	019894-000	1	FRAME, 41
5	022521-000	1	TRIM, TOP 41
6	PD020055	2	NO.10 X 1/2 PAN PHIL. TEK. SS
7	019868-000	1	FAUCET REINFORCEMENT
8	019895-000	2	TOP FRAME, ANGLE
9	019682-000	4	CONDIMENT BIN (1/9 SIZE)