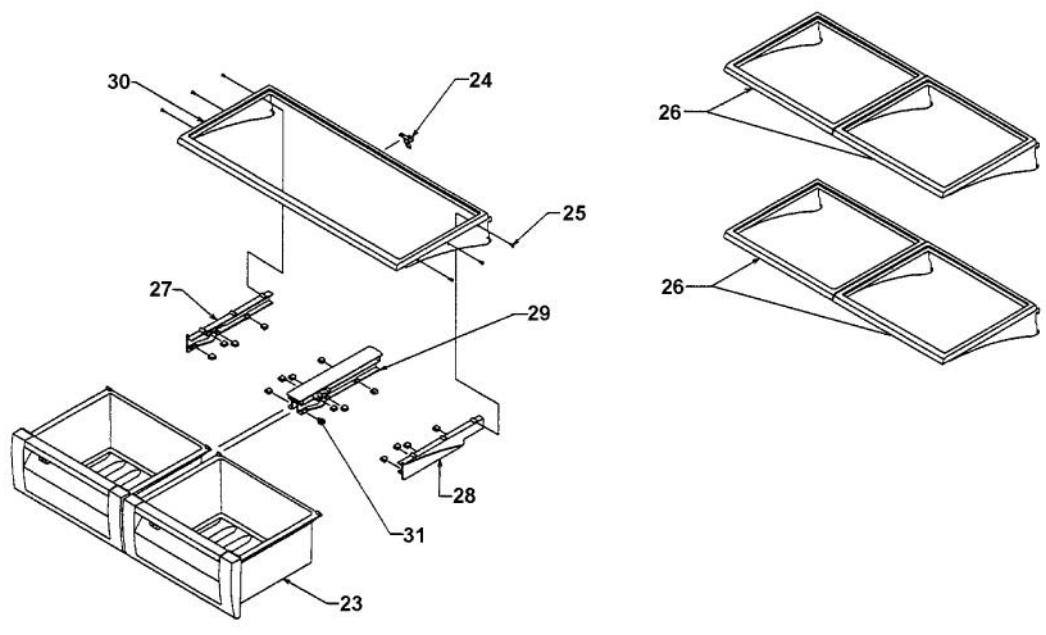
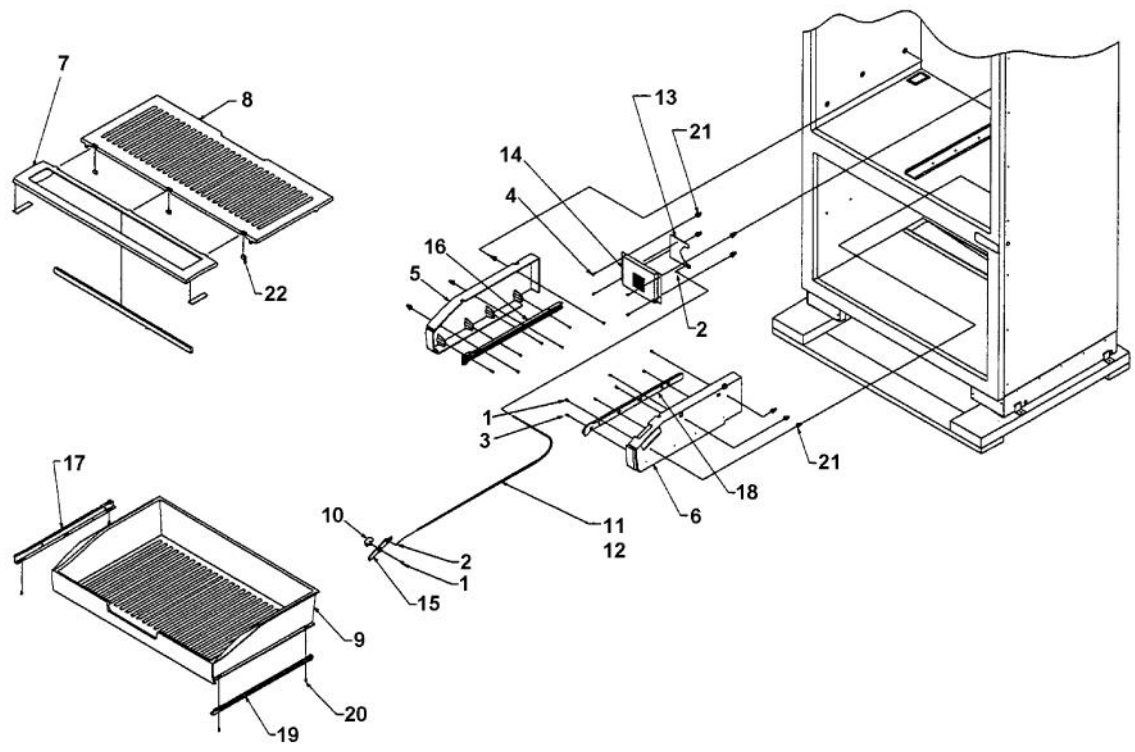
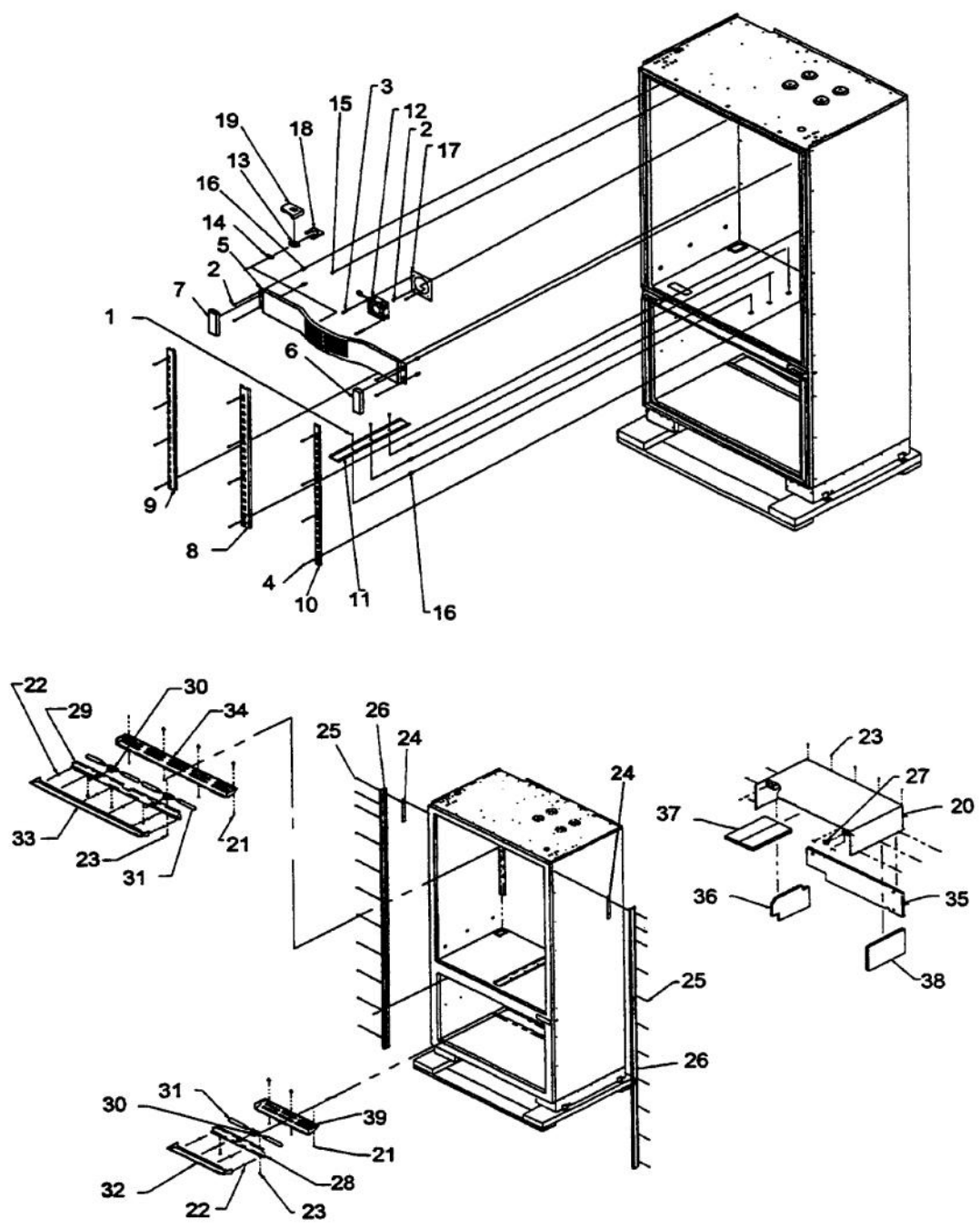


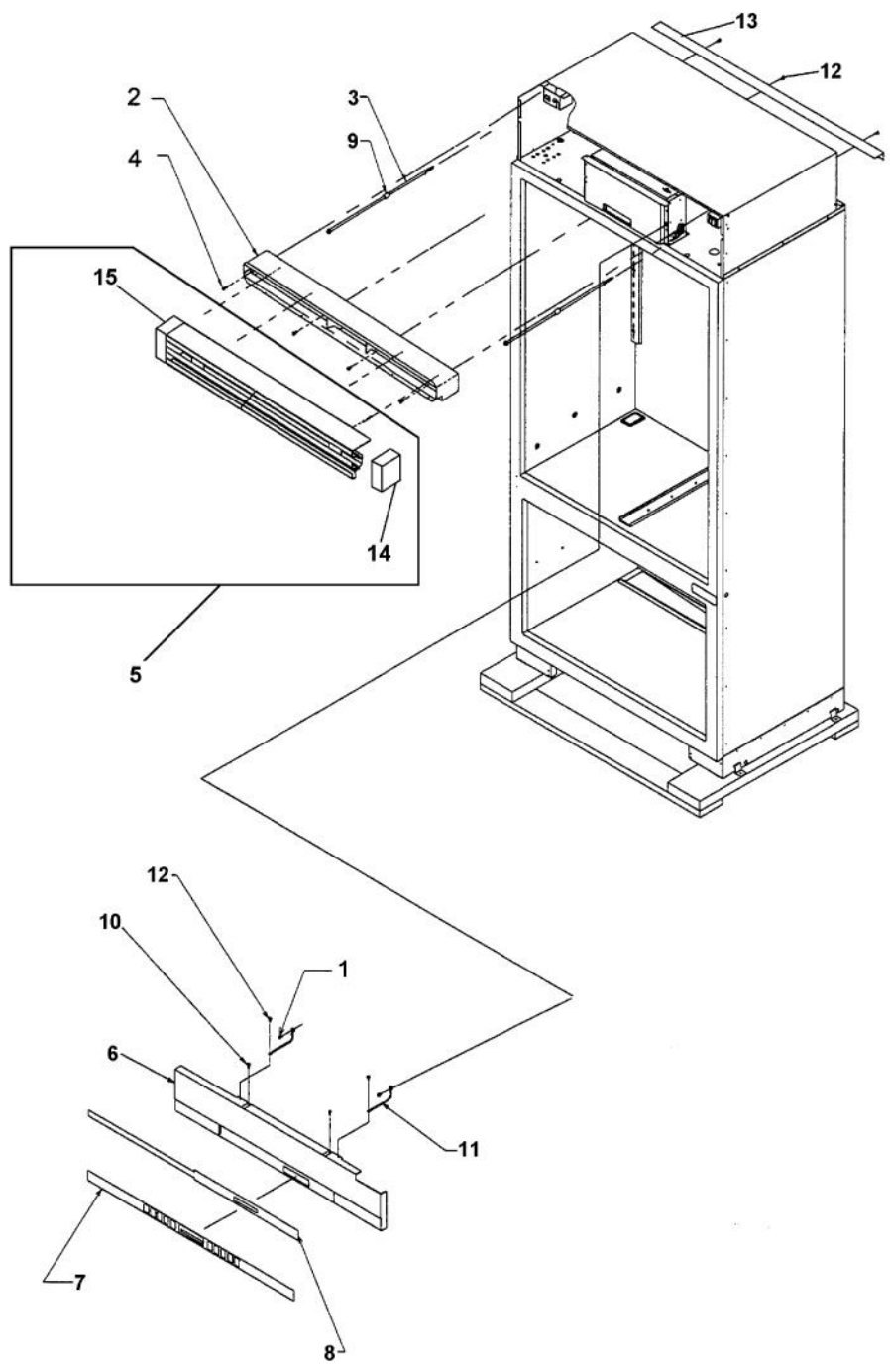
| Ref # | Part Number | Qty. | Description |
|-------|-------------|------|---|
| 1 | B5720302 | | CLIP |
| 2 | V10519806V | | COVER-IM |
| 3 | D7813004 | | HARNESS-MOD IM VD7813004 |
| 4 | PM910220 | | ARM-IM SHUTOFF |
| 5 | G50911858 | | ICE MAKER ASM, SXS ND, AF |
| 6 | 10526701 | | CLAMP-WIRE V10526701 |
| 7 | PC920041 | | RC LOWER HINGE ASSY LH BTM MT |
| | PC920038 | | LOWER HINGE ASSEMBLY (RH) |
| 8 | G50911810 | | PIVOT PLATE SVC. KIT (BM-LH) |
| | G50911809 | | PIVOT PLATE SVC. KIT (BM-RH) |
| 9 | M0226233 | | SUB TO PD920174 - 10 X 7/8 PHILLIPS SMA TRI LOBE SA |
| 10 | M0211018 | | SCREW-SM |
| 11 | 12493901 | | SPACER, HINGE |
| 12 | 12068402 | | SHIM, CENTER HINGE |
| 13 | 12068403 | | SHIM, CENTER HINGE |
| 14 | G5097163 | | BASKET BOTTOM ASM BM 36 |
| 15 | PM910171 | | SUB TO PM010634 - BASKET TOP 36 BM FZ |
| 16 | G5096594 | | R BRACKET ASSY - RPLCS J9096618WH |
| 17 | G5096595 | | L BRACKET ASSY - RPLCS J9096619WH |
| 18 | 40370P01 | | NYLON FLAT WASHER V40370P01 |
| 19 | PK930056 | | PAN ICE |
| 20 | PC920071 | | DOOR CLOSURE |
| 21 | M0272803 | | WASHER-LOCK |
| 22 | M0321202 | | TIE-ELEC |
| 23 | M0202528 | | SCREW-MACH NO. |
| NI | PC920052 | | HINGE TAP L LW REP V12119504 |
| NI | PC920050 | | HNGE TP RLW VCBB360RSS RE V12119503 |
| 24 | 12088001 | | ROLLER-UP BSKT V12088001 |
| 25 | M0238731 | | SCREW-SM |
| 26 | M0220957 | | SCREW, SHOULDER |
| 27 | M0253258 | | SCREW, TF |
| 28 | 12131901 | | SHIM, FZ BASKET |
| NI | B5720304 | | CLIP VB5720304 |
| NI | M0210443 | | SCREW-E SM |
| NI | M0224416 | | SCREW-SM |
| NI | G5096604 | | 36 TOE GRILLE ASSY REPL 12064406 |
| 29 | PM910332 | | ACCESSORY ASSY |
| 30 | PM910170 | | BASKET FRAME ASM 36 BM |
| 31 | 12088101 | | ROLLER-OUTER GLIDE |



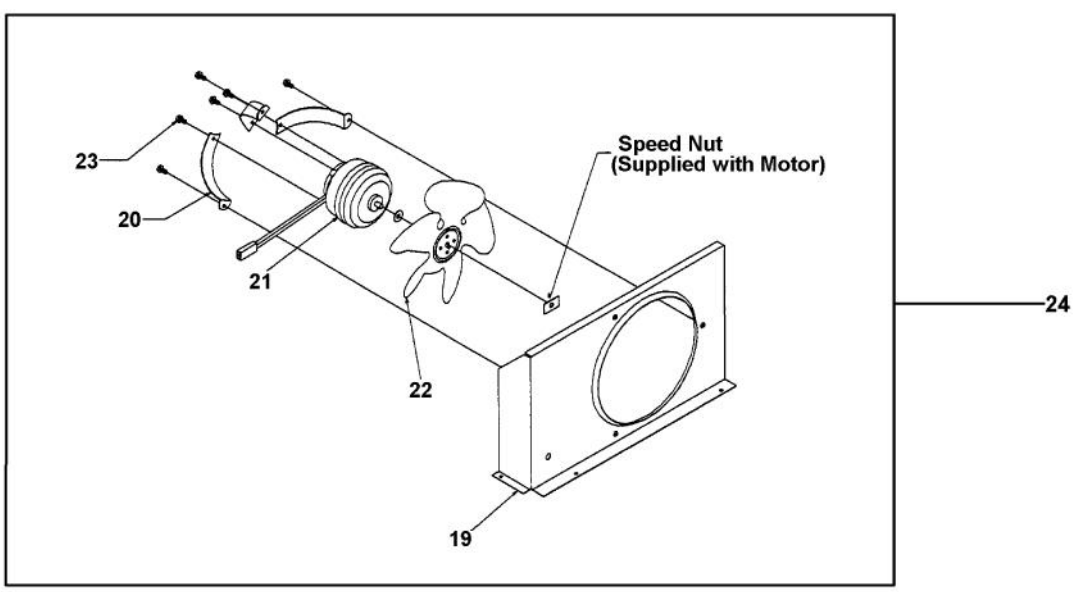
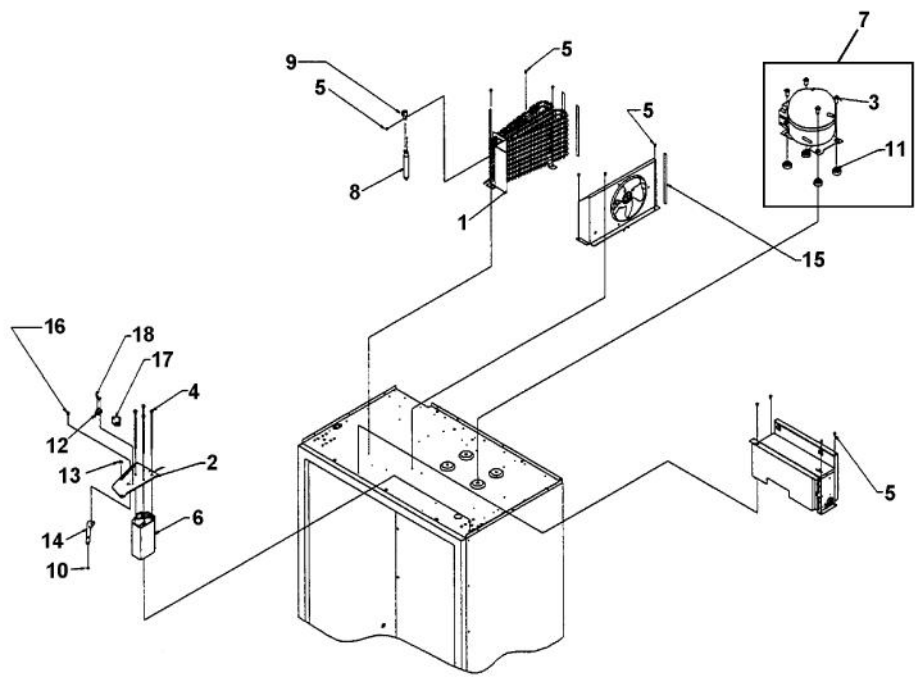
| Ref # | Part Number | Qty. | Description |
|-------|-------------|------|---|
| 1 | M0211018 | | SCREW-SM |
| 2 | M0213105 | | SCREW-SM |
| 3 | M0215318 | | SCREW-SM |
| 4 | M0238616 | | SCREW-SM |
| 5 | V12202601 | | SUPPORT-L DRAWER NO. |
| 6 | V12073003 | | SUPPORT-R DRAWER NO. |
| 7 | V12223207 | | SUB TO 000368-000 - DELI LID ASSY 36 BM |
| 8 | PK930043 | | SUB TO 000368-000 - DELI TOP ASSEMBLY |
| 9 | V12073303 | | DRAWER-DELI 36 BM |
| 10 | V12073401 | | KNOB-DELI CONT |
| 11 | 12073501 | | TUBE-PLASTIC |
| 12 | 12073505 | | TUBE-PLASTIC |
| 13 | V12073601 | | SLIDE-DELI CONT |
| 14 | V12073701 | | COVER-DELI CONT |
| 15 | V12070501 | | GLIDE-DELI KNOB NO. |
| 16 | 12073901 | | GLIDE-L SUPPORT V12073901 |
| 17 | 12073902 | | GLIDE-L DRAWER V12073902 - |
| 18 | 12073903 | | GLIDE-R SUPPORT V12073903 |
| 19 | 12073904 | | GLIDE-R DRAWER V12073904 |
| 20 | M0224128 | | SCREW-SM |
| 21 | M0581001 | | GROMMET-SCREW |
| 22 | 12486202 | | CLIP-DELI TOP 36 REPL V12486201 |
| 23 | V12056902 | | CRISPER PAN ASSY 36 BM |
| 24 | 12046701 | | CRISPER RAIL WELD |
| 25 | M0210417 | | SCREW, SS SM |
| 26 | 12021302 | | SHELF, REF |
| 27 | V12064501 | | GLIDE, LH CRISPER |
| 28 | V12064502 | | GLIDE, RH CRISPER |
| 29 | V12064601 | | GLIDE-CTR CRISPER NO. |
| 30 | 12021402 | | SHELF, CRISPER |
| 31 | 12064701 | | PAD-GLIDE V12064701 |



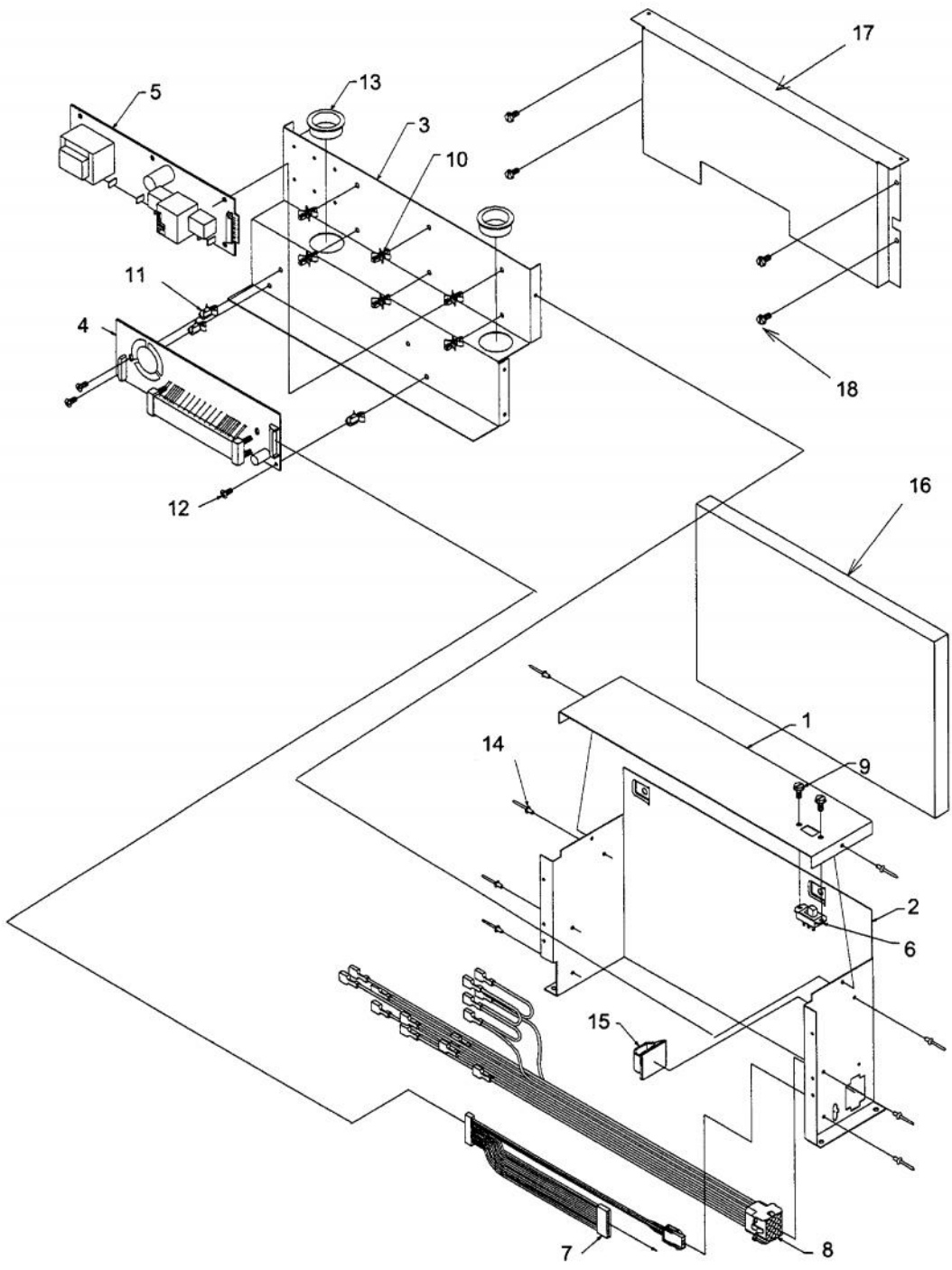
| Ref # | Part Number | Qty. | Description |
|-------|-------------|------|--------------------------------------|
| 1 | M0238616 | | SCREW-SM |
| 2 | M0211018 | | SCREW-SM |
| 3 | M0218137 | | SCREW-SM |
| 4 | M0234005 | | SCREW-TF |
| 5 | 12067401 | | FAN COVER |
| 6 | 12070201 | | CAP-R FAN COVER V12070201 |
| 7 | 12070202 | | CAP-L FAN COVER V12070202 |
| 8 | 12071501 | | LADDER-CTR CANT V12071501 |
| 9 | 12071601 | | LADDER-L SIDE CANT V12071601 |
| 10 | 12071701 | | SUB TO PK020074 - LADDER-R SIDE CANT |
| 11 | 12118901 | | TRACK-DELI DRAWER |
| 12 | 12075003 | | MOTOR-REF FAN |
| 13 | C8983701 | | THERMISTOR |
| 14 | 12090301 | | CLIP-S V12090301 |
| 15 | M0232903 | | SCREW-SE |
| 16 | M0581001 | | GROMMET-SCREW |
| 17 | K2096475 | | PLATE-FAN MNT 12404701 |
| 18 | 12404901 | | GASKET-THERM V12404901 |
| 19 | 12406001 | | INSULATION, THERMAL |
| 20 | G3096601 | | MC COVER WELD |
| 21 | M0238846 | | SCREW-SHLDR |
| 22 | M0108201 | | CLIP-S |
| 23 | M0238616 | | SCREW-SM |
| 24 | 12135402 | | SHIM-CAB TRIM |
| 25 | M0210417 | | SCREW, SS SM |
| 26 | B2096406 | | RETAINER CABINET - SS |
| | C9396406BR | | SIDE TRIM PVD REPL C9305409BR |
| 27 | 12074801 | | SWITCH, POWER |
| 28 | L2096422 | | BRKT-FZ LIGHT 12055701 |
| 29 | L2096581 | | SUB TO L2098310 - BRACKET, REF LIGHT |
| 30 | 12096901 | | SOCKET-LIGHT |
| 31 | A3079001 | | LAMP - 40W |
| 32 | 12074501 | | COVER-FZ LIGHT |
| 33 | 12072001 | | COVER-REF LIGHT V12072001 |
| 34 | 12072801 | | LENS, REF LIGHT |
| 35 | 12074401 | | INSUL-BACK MC CVR V12074401 |
| 36 | 12074601 | | INSUL-L MC CVR V12074601 |
| 37 | 12074701 | | INSUL-MC CVR V12074701 |
| 38 | 12074702 | | INSUL-R MC CVR V12074702 |
| 39 | 12034901 | | LENS, FZ LIGHT |
| NI | 013112-000 | | NOISE REDUCTION FAN KIT |



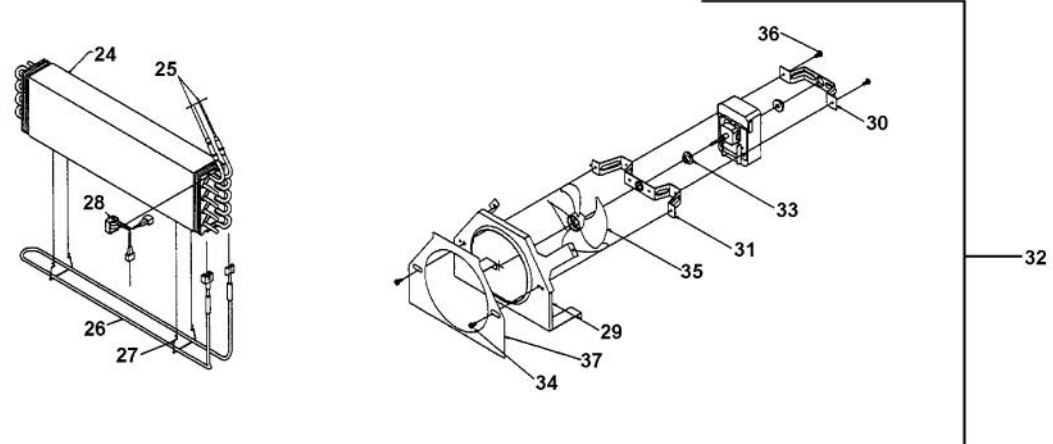
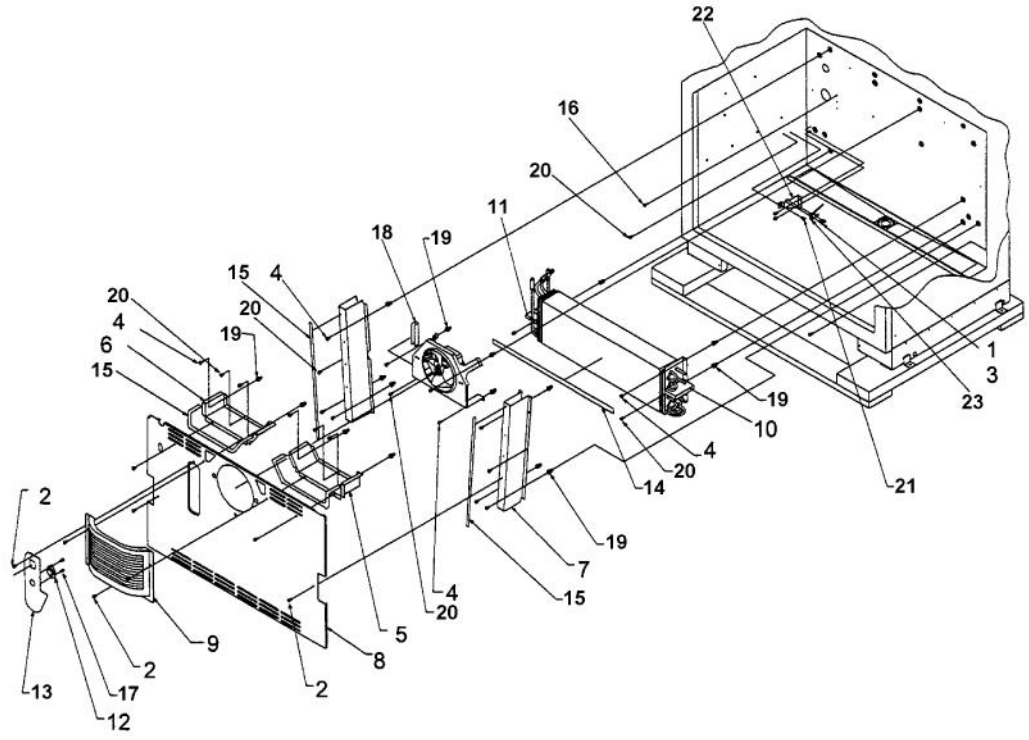
| Ref # | Part Number | Qty. | Description |
|-------|-------------|------|---------------------------------------|
| 1 | M0238846 | | SCREW-SHLDR |
| 2 | G9096592BK | | AIR DUCT WELD ASSY |
| 3 | M0223603 | | SCREW-LAG |
| 4 | M0238616 | | SCREW-SM |
| 5 | G3296944 | | GRILLE ASSY 36 PRO BM LH R G3296626 |
| | G3296945 | | GRILLE ASSY 36 PRO BM RH R G3296627 |
| 6 | V10942001 | | COVER-CONT PANEL RH |
| | V10942002 | | COVER, CONTROL PANEL - LEFT HINGE |
| 7 | PE980001 | | OVERLAY, KEYBOARD |
| 8 | 12071801 | | SWITCH, KEYBOARD |
| 9 | 12349301 | | BEARING-SLEEVE V12349301 |
| 10 | M0224128 | | SCREW-SM |
| 11 | 12064001 | | SUPP-CONT PANEL |
| 12 | A4539601 | | SUB TO PC040010 - RIVET-POP VA4539601 |
| 13 | K2096588 | | SHIELD POWER CORD 12180502 |
| 14 | B2096964 | | ENDCAP PRO RH |
| | B2096966 | | ENDCAP PRO RH HINGE |
| 15 | B2096965 | | ENDCAP PRO LH HINGE |
| | B2096963 | | ENDCAP PRO LH |



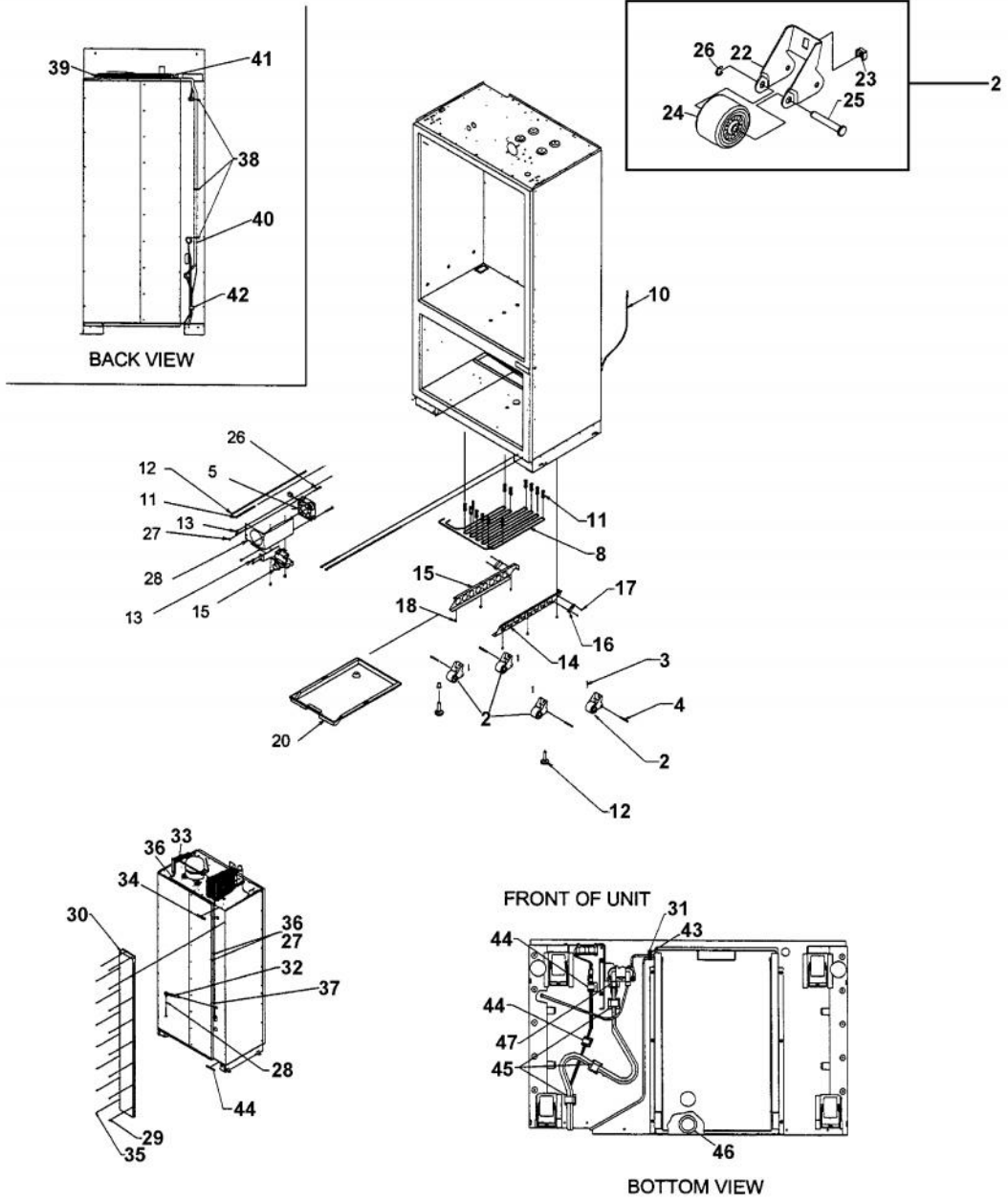
| Ref # | Part Number | Qty. | Description |
|-------|-------------|------|--|
| 1 | G5096495 | | GASKET, REF DOOR |
| 2 | PC920065 | | TOP HINGE ASSY(VCBB362LSS) |
| | PC920064 | | RIGHT TOP HINGE ASSEMBLY |
| 3 | M0221523 | | SCREW - SHLDR |
| 4 | M0206313 | | SCREW-MACH |
| 5 | M0238616 | | SCREW-SM |
| 6 | 12067901 | | EXTRSN-TOP HINGE V12067901 |
| 7 | G5097976 | | COMPRESSOR ASSEMBLY (363 AND 483) |
| NI | G5098300 | | INVERTER ASSEMBLY |
| 8 | 10743201 | | DRIER, HI SIDE |
| 9 | 10547001 | | CLIP-DRIER V10547001 |
| 10 | 40370P01 | | NYLON FLAT WASHER V40370P01 |
| 11 | 10835901 | | GROMMET RUBBER V10835901 |
| 12 | PE950109 | | SUB TO G50911866 - SWITCH LIGHT (12074904) |
| | PE950110 | | SWITCH LIGHT (12074905) |
| 13 | 12348701 | | BUMPER-DOOR STOP V12348701 |
| 14 | PC920068 | | ARM DOOR STOP LH |
| | PC920066 | | ARM, DOOR STOP, RH |
| 15 | A3189370 | | GASKET-FOAM VA3189370 |
| 16 | M0220942 | | SCREW-SHLDR |
| 17 | 12140701 | | COVER-SWITCH V12140701 |
| 18 | M0234005 | | SCREW-TF |
| 19 | K2196428 | | SHROUD, COND FAN |
| 20 | 10582501 | | BRKT-COND MTR V10582501 |
| 21 | 10522103 | | MOTOR-PSC V10522103 |
| 22 | B5742603 | | BLADE-FAN |
| 23 | M0223816 | | SCREW-TR |
| 24 | G5096494 | | COND. FAN ASSY |



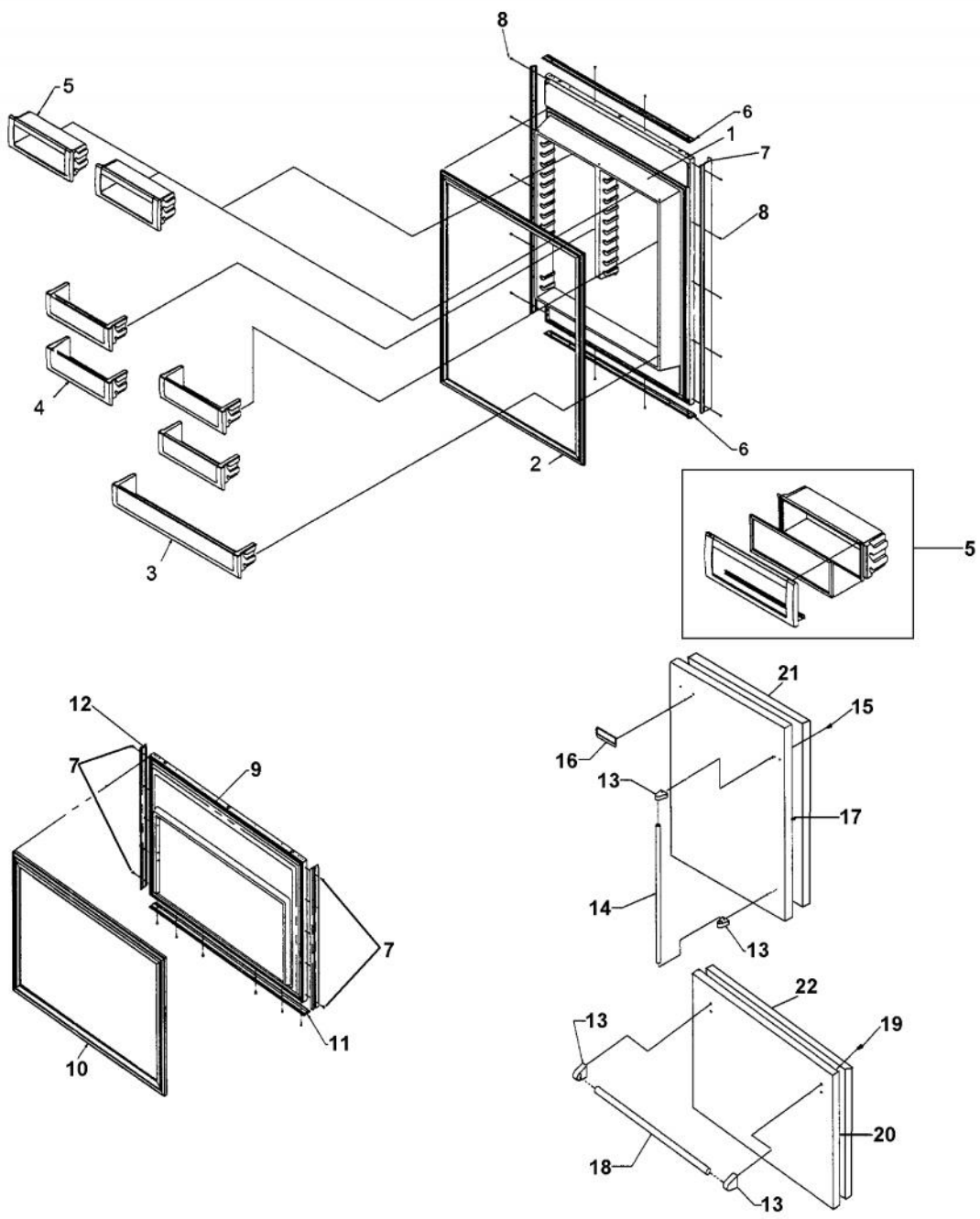
| Ref # | Part Number | Qty. | Description |
|-------|-------------|------|--|
| 1 | K2096429 | | SUB TO K2098657 - TOP-CONT BOX 12090801 |
| 2 | K2097709 | | BOX CONTROL |
| 3 | K2096430 | | BRKT-PC 12090901 |
| 4 | G50911837 | | LOW VOLT / HIGH VOLT BOARD KIT (BEFORE 11/17/03) |
| | G50911826 | | LOW VOLTAGE BOARD KIT (AFTER 11/17/03) |
| 5 | G50911826 | | LOW VOLTAGE BOARD KIT (AFTER 11/17/03) |
| | PE970463 | | POWER CONTROL BOARD |
| 6 | 10544502 | | SWITCH-SLIDE GRN |
| 7 | PE970464 | | HARNESS LOW VOLT |
| 8 | 12271701 | | HARNESS-HIGH VOLT V12271701 |
| 9 | M0223816 | | SCREW-TR |
| 10 | M0585504 | | SUPPORT |
| 11 | M0585506 | | SUPPORT |
| 12 | M0217204 | | SCREW, SM |
| 13 | A4554817 | | BUSHING-SNAP VA4554817 |
| 14 | A4539601 | | SUB TO PC040010 - RIVET-POP VA4539601 |
| 15 | M0104106 | | CLIP-CORD VM0104106 |
| 16 | 12074703 | | INSUL-CONT BOX V12074703 |
| 17 | K2096431 | | FRONT-CONT PANEL 12091001 |
| 18 | M0238616 | | SCREW-SM |
| NI | M0288120 | | NUT-SPEED, VM0288120 |



| Ref # | Part Number | Qty. | Description |
|-------|-------------|------|----------------------------------|
| 1 | M0322202 | | TIE-WIRE |
| 2 | M0211018 | | SCREW-SM |
| 3 | M0213105 | | SCREW-SM |
| 4 | M0238616 | | SCREW-SM |
| 5 | K2097169 | | BRKT DIVIDER R |
| 6 | K2097168 | | BRKT DIVIDER L |
| 7 | K2097172 | | RETURN AIR CHANNEL |
| 8 | C9097158WH | | COVER EVAP BM 36 XWHX |
| 9 | 12063301 | | FREEZER FAN COVER |
| 10 | 12067201 | | BLOCK, RH EVAP |
| 11 | 12067301 | | BLOCK-L EVAP V12067301 |
| 12 | C8983701 | | THERMISTOR |
| 13 | V12089103 | | COVER, FZR. SWITCH |
| 14 | A3189348 | | GASKET-FOAM VA3189348 |
| 15 | A3030335 | | GASKET VA3030335 |
| 16 | M0232903 | | SCREW-SE |
| 17 | M0211014 | | SCREW-SM |
| 18 | A3189368 | | GASKET-FOAM VA3189368 |
| 19 | M0581001 | | GROMMET-SCREW |
| 20 | M0232929 | | SCREW-SE |
| 21 | M0224416 | | SCREW-SM |
| 22 | K2096589 | | BRACKET, SW MNT |
| 23 | 12401402 | | SWITCH, FAN |
| 24 | PM910178 | | BOTTOM MOUNT EVAP |
| 25 | PB920154 | | HEAT EXCHANGER ASM BM 36 |
| 26 | PJ910030 | | BOTTOM MOUNT EVAP HEATER |
| 27 | 10428101 | | CLIP-EVAP HTR V10428101 |
| 28 | 10442407 | | THERMOSTAT 10442411 |
| 29 | PM910168 | | SHROUD EVAP FAN BM |
| 30 | 10656001 | | BRKT-MTR MT/LW V10656001 |
| 31 | 10656101 | | BRKT-MTR UP STEEL V1065601Q |
| 32 | G5096546 | | 36 EVAP FAN ASSY - REPL 12062401 |
| 33 | A1017202 | | GROMMET-FAN VA1017202 |
| 34 | M0253543 | | SCREW-TF |
| 35 | 12059901 | | FAN-EVAP/5.250 V12059901 |
| 36 | M0224416 | | SCREW-SM |
| 37 | 12102401 | | GSKT-EVAP FAN SHRD V12102401 |
| NI | 016774-000 | | SECONDARY DRAIN TROUGH KIT |



| Ref # | Part Number | Qty. | Description |
|-------|-------------|------|--|
| 1 | 12075003 | | MOTOR-REF FAN |
| 2 | G5096596 | | ROLLER BRKT ASSY RPLCS G5096490 |
| 3 | M1200004 | | PIN-COTTER |
| 4 | M1200203 | | PIN-CLEVIS |
| 5 | M0204339 | | SCREW-ADJ ROLLER VM0204339 |
| 6 | 10093305 | | SCREW-ADJ ROLLER V10093305 |
| 7 | M0220417 | | SCREW-TC |
| 8 | F2096549 | | SERPENTINE-DRAIN 12131801 |
| 9 | PA970012 | | SINGLE WATER VALVE |
| | G50911842 | | WATER VALVE/BRACKET SVC KIT (UNITS MFG. FROM 3/12/04 - 1/26/05) |
| 10 | B5705323 | | TUBE, PLASTIC |
| 11 | 12071201 | | CLIP-DRAIN LOOP |
| 12 | 12150601 | | FOOT-LEVELING V12150601 |
| 13 | M0280801 | | NUT-HEX VM0280801 |
| 14 | K2096585 | | RAIL, RH PAN |
| 15 | K2096586 | | RAIL-LH PAN 12143902 |
| 16 | K2096439 | | ANGLE-DRAIN PAN 12143801 |
| 17 | A4539601 | | SUB TO PC040010 - RIVET-POP VA4539601 |
| 18 | M0224416 | | SCREW-SM |
| 19 | M0204723 | | SCREW 8-32X1.5 HEX SL W MS |
| 20 | 12071301 | | PAN-DRAIN (NON-ANTIMICROBIAL) |
| 21 | K2096590 | | BRACKET, DC FAN |
| 22 | PM910125 | | ROLLER BRACKET |
| 23 | M0286708 | | NUT-SPEED |
| 24 | 12034201 | | ROLLER-CABINET |
| 25 | M1252901 | | PIN, PIVOT |
| 26 | M0273801 | | RING-RETAINING |
| 27 | M0211018 | | SCREW-SM |
| 28 | 12115101 | | CLAMP-TUBE V12115101 |
| 29 | M0238616 | | SCREW-SM |
| 30 | K2096444 | | COVER-HT EXCHANGE 12187701 |
| 31 | M0102303 | | CLAMP-TUBE VM0102303 |
| 32 | 10463201 | | ELBOW, FILL TUBE |
| 33 | 10851310 | | INSUL-TUBING V10851310 |
| 34 | A3189370 | | GASKET-FOAM VA3189370 |
| 35 | A4539601 | | SUB TO PC040010 - RIVET-POP VA4539601 |
| 36 | M0102303 | | CLAMP-TUBE VM0102303 |
| 37 | M0102804 | | CLAMP-TUBE VM0102804 |
| | A3223101 | | INSERT-TUBE VA3223101 |
| 38 | M0322202 | | TIE-WIRE |
| 39 | A4554806 | | BUSHING-SNAP VA4554806 |
| 40 | 12405601 | | HARNESS-CABINET V12405601 |
| | 12405602 | | HARNESS-CABINET V12405602 |
| 41 | 10916507 | | TUBE-PROCESS GRN |
| 42 | M0104102 | | CLIP-CORD RED |
| 43 | M0211018 | | SCREW-SM |
| 44 | M0104106 | | CLIP-CORD VM0104106 |
| 45 | M0104102 | | CLIP-CORD RED |
| 46 | A3076901 | | PLUG-BUTTON VA3076901 |
| 47 | M0753001 | | NUT-SLEEVE |
| NI | PK930111 | | FUNNEL - DRAIN WC |
| NI | B8381501 | | GASKET-DRAIN TUBE VB8381501 |



| Ref # | Part Number | Qty. | Description |
|-------|-------------|------|------------------------------------|
| 1 | G5097714 | | DOOR ASM BM 36 FF |
| 2 | PB970133 | | GASKET, REF DOOR |
| 3 | V12039701 | | DOOR SHELF ASSY |
| 4 | 12055401 | | DOOR SHELF ASSY V12055401 |
| 5 | V12097404 | | DAIRY MODULE ASM |
| 6 | 12493704 | | TRIM, REF. DOOR - TOP & BOTTOM |
| 7 | 12493703 | | TRIM-REF DOOR 36 |
| 8 | M0210458 | | SCREW-SM |
| 9 | G3297161 | | DOOR ASM FZ BM 36 |
| 10 | PB970134 | | GASKET, FZ DOOR |
| 11 | 12493702 | | SCREW, SS SM |
| 12 | 12493701 | | TRIM, FREEZER DOOR - SIDE |
| 13 | PE030001 | | BRACKET, DOOR, HANDLE |
| | PE030001PVD | | END CAP DOOR HANDLE XBR |
| 14 | PE930093 | | HANDLE, REFRIGERATOR DOOR XSSX |
| | PE930093PVD | | HANDLE, REFRIGERATOR DOOR XBRX |
| 15 | M0102804 | | CLAMP-TUBE VM0102804 |
| 16 | PE010030 | | LOGO, 6, PRO, BK |
| | PE010031 | | LOGO 6 (VGRC) XBK/WHX |
| | PE010068 | | LOGO, 6, PRO, BK/BR |
| | PE010076 | | LOGO 6 (VGRC) XBR/WHX |
| 17 | B2096934 | | RC SKIN PRO BM LS |
| | C9096934BK | | RC SKIN PRO BM LS |
| | L2096934WH | | RPLCS L2096527WH RC SKIN PRO BM LS |
| | C9096934AL | | RC SKIN PRO BM LS |
| | C9096934BT | | RC SKIN PRO BM LS |
| | C9096934BU | | RC SKIN PRO BM LS |
| | C9096934CB | | RC SKIN PRO BM LS |
| | C9096934EP | | RC SKIN PRO BM LS |
| | C9096934FG | | RC SKIN PRO BM LS |
| | C9096934GG | | RC SKIN PRO BM LS |
| | C9096934LE | | REF. DOOR SKIN (LH) - LE |
| | C9096934MJ | | RC SKIN PRO BM LS |
| | C9096934SG | | RC SKIN PRO BM LS |
| | C9096934VB | | RC SKIN PRO BM LS |
| | B2096935 | | RC SKIN PRO BM RH |
| | C9096935BK | | RC SKIN PRO BM RH |
| | L2096935WH | | RPLCS L2096528WH RC SKIN PRO BM RH |
| | C9096935AL | | RC SKIN PRO BM RH |
| | C9096935BT | | RC SKIN PRO BM RH |
| | C9096935BU | | RC SKIN PRO BM RH |
| | C9096935CB | | RC SKIN PRO BM RH |
| | C9096935EP | | RC SKIN PRO BM RH |
| | C9096935FG | | RC SKIN PRO BM RH |
| | C9096935GG | | RC SKIN PRO BM RH |
| | C9096935LE | | RC SKIN PRO BM RH |
| | C9096935MJ | | RC SKIN PRO BM RH |
| | C9096935SG | | RC SKIN PRO BM RH |
| | C9096935VB | | RC SKIN PRO BM RH |
| 18 | PE930094 | | VCBB36 HANDLE -SS (32.437) |
| | PE930094PVD | | HANDLE - BR |
| 19 | M0204303 | | SCREW-MACH |
| 20 | B2096933 | | FC PANEL PRO BM |
| | C9096933BK | | FC SKIN PRO BM |
| | L2096933WH | | RPLCS L2096531WH FC SKIN PRO BM |
| | C9096933AL | | FC SKIN PRO BM |
| | C9096933BT | | FC SKIN PRO BM |
| | C9096933BU | | FC SKIN PRO BM |
| | C9096933CB | | FC SKIN PRO BM |
| | C9096933EP | | FC SKIN PRO BM |

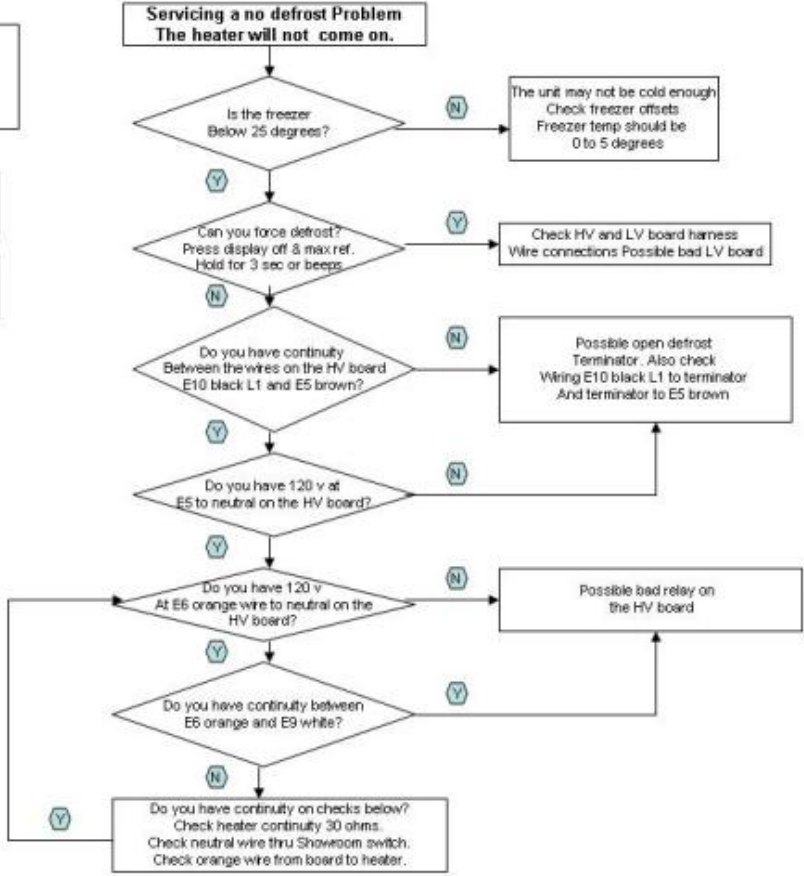
| Ref # | Part Number | Qty. | Description |
|-------|-------------|------|------------------------------------|
| | C9096933EP | | FC SKIN PRO BM |
| | C9096933FG | | FC SKIN PRO BM |
| | C9096933GG | | FC SKIN PRO BM |
| | C9096933LE | | FC SKIN PRO BM |
| | C9096933MJ | | FC SKIN PRO BM |
| | C9096933SG | | FC SKIN PRO BM |
| | C9096933B | | FREEZER DOOR SKIN - VB |
| NI | 10921220 | | SUB TO PM910391 - BLOCK-EPS REF DR |
| NI | 10921223 | | BLOCK, EPS |
| NI | K2096535 | | HANDLE BRACKET |
| NI | K2097526 | | BRACKET - HANDLE SUPPORT |
| NI | K2097525 | | BRACKET - HANDLE SUPPORT BM PRO |
| NI | PD940086 | | SPACER DOOR SKIN-HINGE SIDE (36`BM |
| NI | M0210458 | | SCREW-SM |



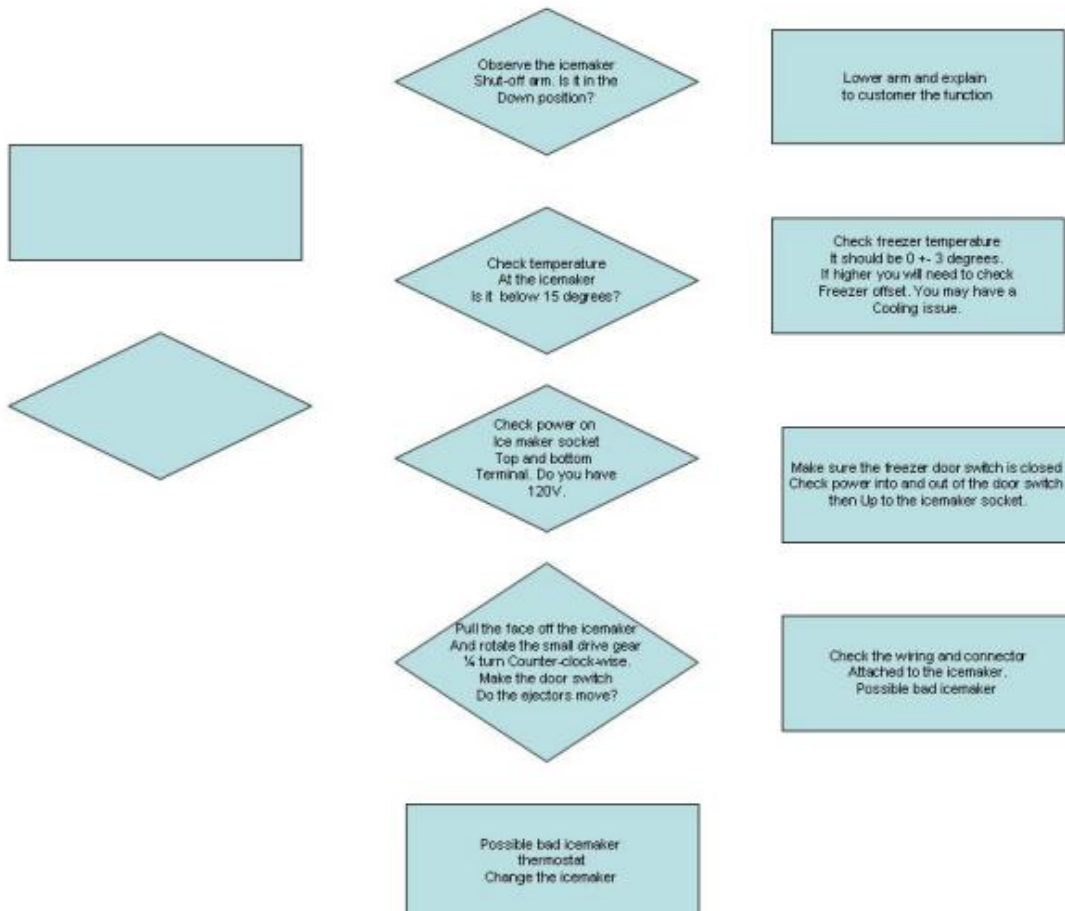
Refrigeration

You must have a voltmeter that has ohm readings.

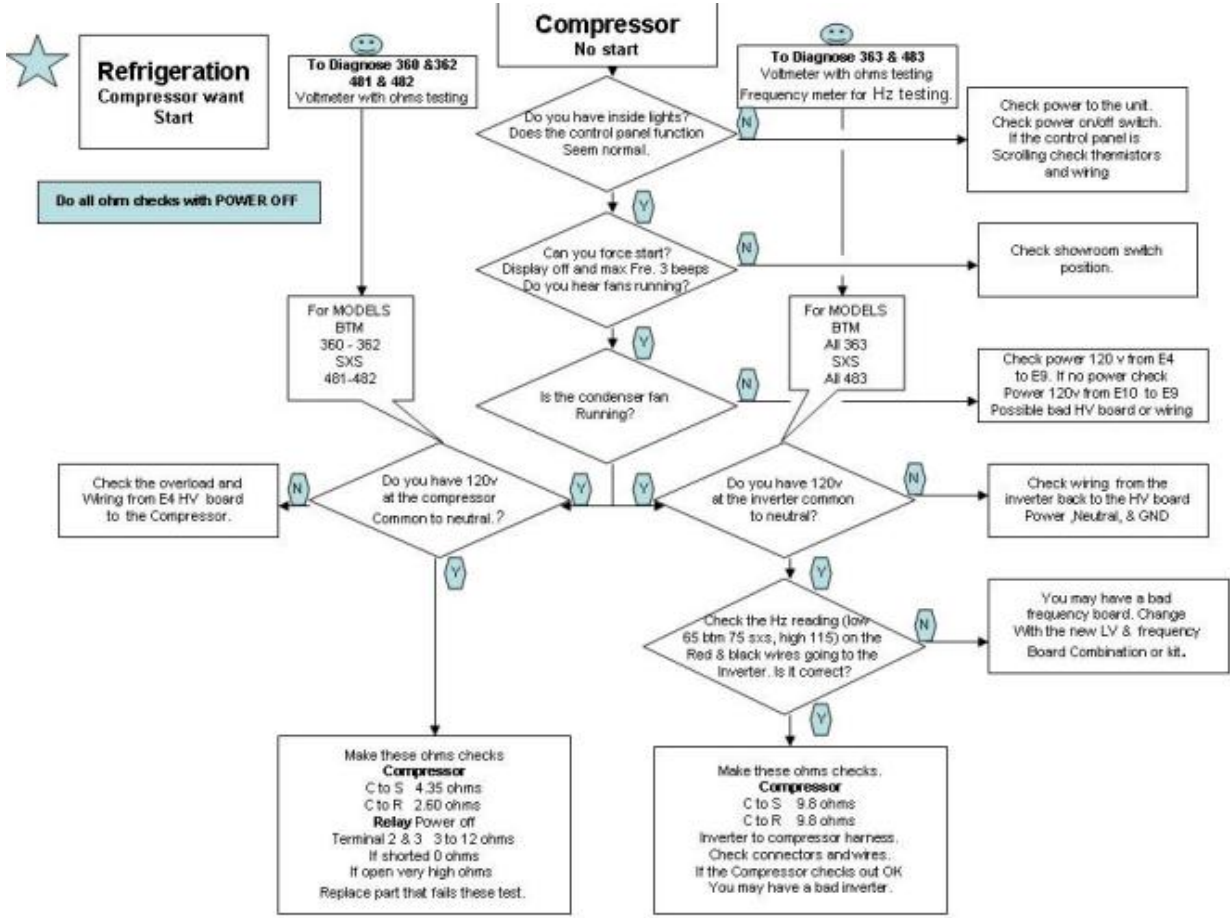
Do continuity checks with **power off**



| Ref # | Part Number | Qty. | Description |
|-------|-------------|------|-------------|
|-------|-------------|------|-------------|



| Ref # | Part Number | Qty. | Description |
|-------|-------------|------|-------------|
|-------|-------------|------|-------------|



| Ref # | Part Number | Qty. | Description |
|-------|-------------|------|-------------|
|-------|-------------|------|-------------|
