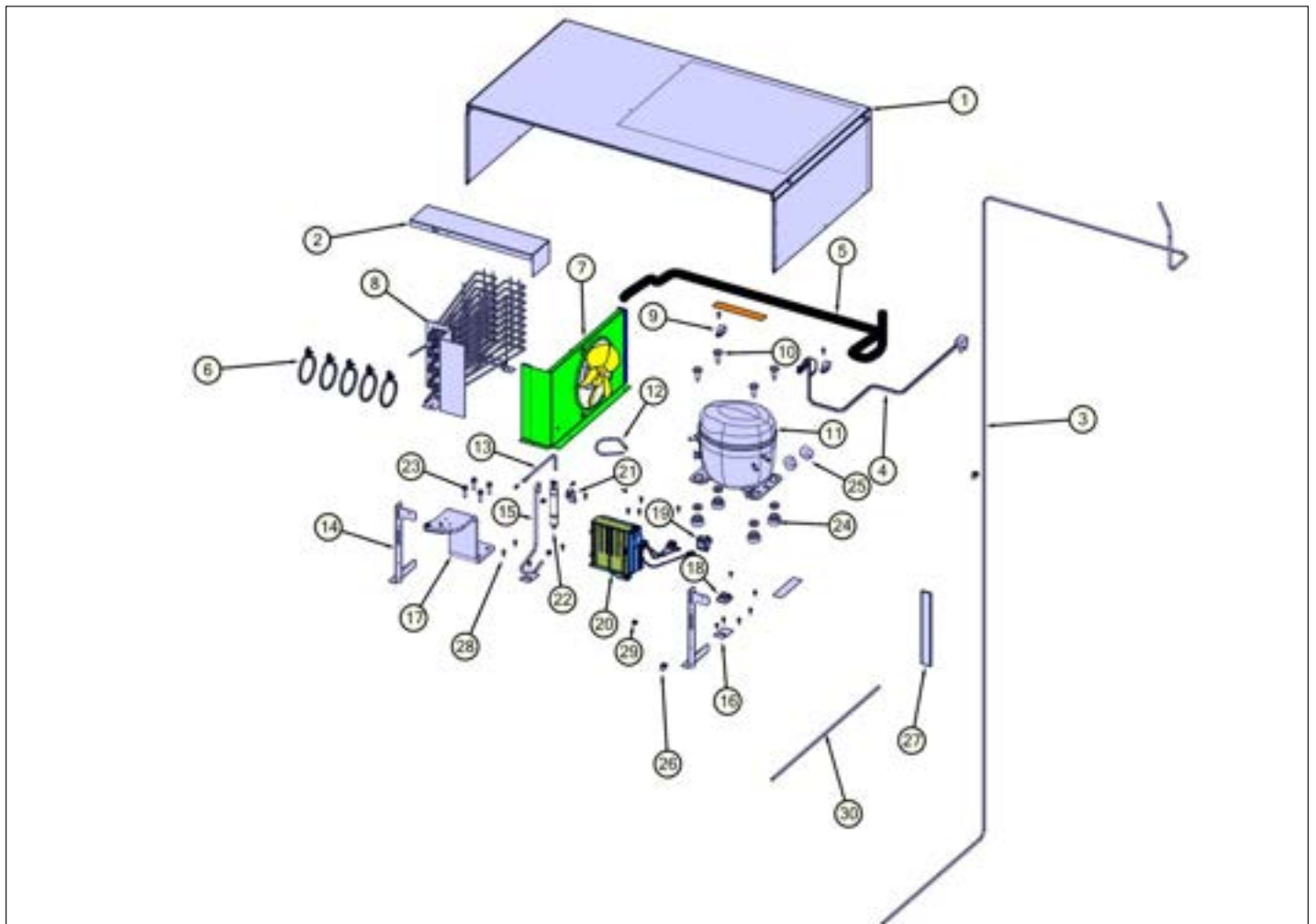


VCBB5362LSS

Top View	1
Bottom View	2
Control View	3
Interior View	4
Lo Side Asm View	5
FF Door View	6
FZ Interior View	7
Trim and Grille View	8
FZ Drawer View	9
Wiring View 1	10
Wiring View 2	11
Appendix A:Pages Index	A
Appendix B:Parts Index	B

Top View



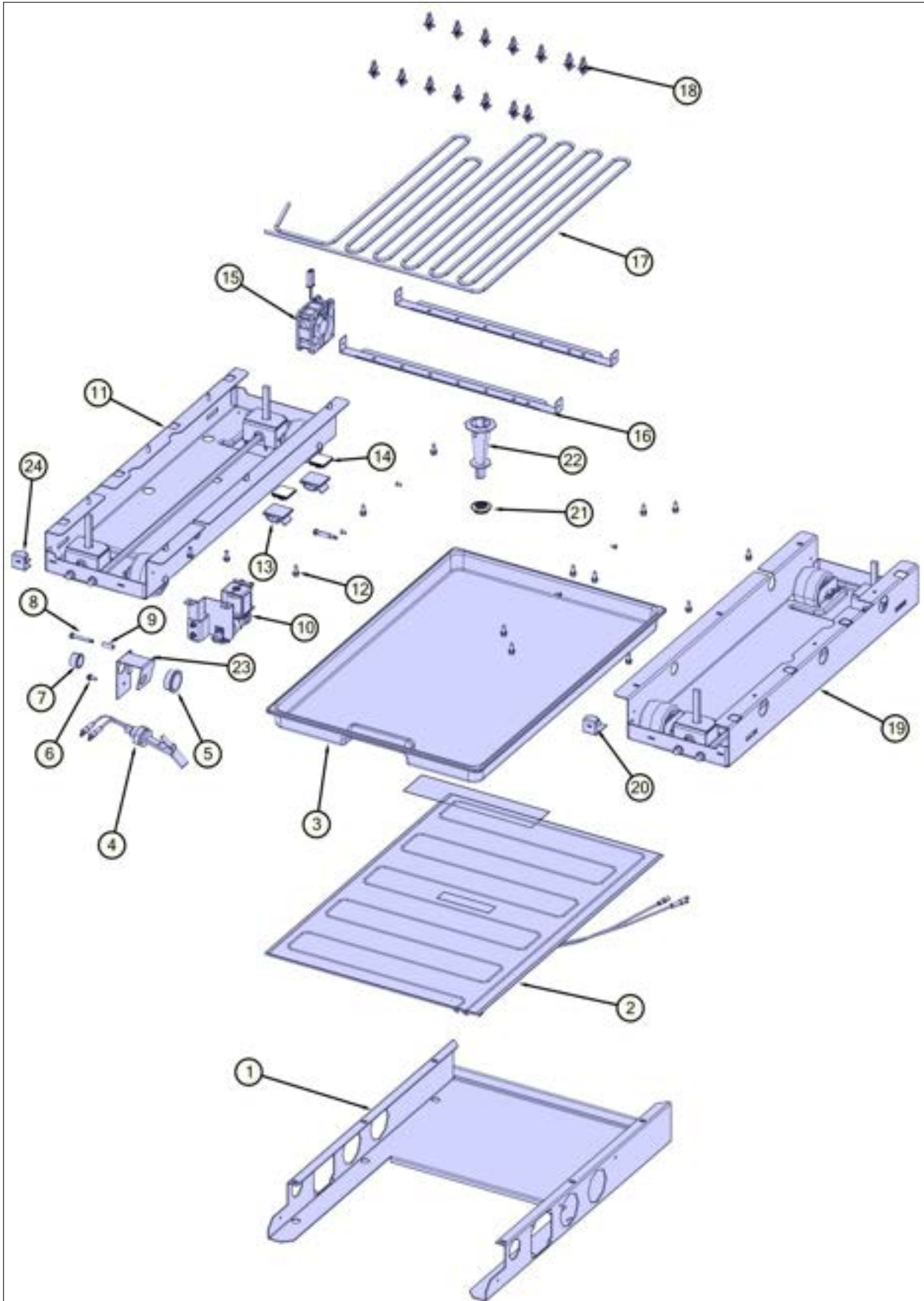


Item	Part No.	Name	Qty	Uom	NOTES
1	007979-000	MC COVER ASM BI 36	1	EA	
2	014369-000	DIVERTER AIR HI SIDE 36	1	EA	
3	001022-000	TUBE DISCHARGE BM 36	1	EA	
4	059105-000	CORD, PWR, BM, LEAD TERMINALS	1	EA	
5	PB970188	INSULATION TUBING 45.000	1	EA	
6	M0322202	TIE-WIRE	4	EA	
7	G5096494	COND. FAN ASSY	1	EA	
8	068353-000	CONDENSER ASM W/COPPER ENDS	1	EA	
9	023823-000	CLIP, TUBE	2	EA	
10	M0221523	SCREW - SHLDR	4	EA	
11	PM010619	COMPRESSOR VCC	1	EA	
<p>Comments for Part Num. PM010619</p> <p>profixappliances@gmail.com on Apr 21, 2020</p> <p>SUB TO 062775-000 COMPRESSOR KIT</p>					
12	f2096507	TUBE-PROCESS GRN	1	EA	
13	f2097740	TUBE PROCESS	1	EA	
14	014190-000	BRACKET, GRILLE SUPPORT	2	EA	
15	003325-000	TUBE DRIER COND	1	EA	
16	K2096943	PANEL BRACKET	2	EA	
17	044724-000	TOP HINGE ASM L 36 BM	1	EA	
18	M0104102	CLIP-CORD RED	1	EA	
19	PE950149	SWITCH POWER	1	EA	
20	050926-000	INVERTER, CMPR, ASM	1	EA	
21	10547001	CLIP-DRIER V10547001	1	EA	
22	030926-000	DRIER - HIGH SIDE	1	EA	
23	000570-000	FASTENER, BOLT, 1/4-20 IHXWS 1" S ZN SER	4	EA	
24	10835901	GROMMET RUBBER V10835901	4	EA	
25	10699601	DAMPER-TUBING .8	2	EA	
26	PD930112	CLAMP-CORD	2	EA	
27	A3189370	GASKET-FOAM VA3189370	1	EA	



Item	Part No.	Name	Qty	Uom	NOTES
28	PD020194	SCR, HEX SRTD WSHR HD, #8-18 X 1/2	4	EA	
29	12115101	CLAMP-TUBE V12115101	1	EA	
30	044034-000	TUBING, ROLL, PEX 1/4"	3.84ft	EA	
NA	A3030302	GASKET GRN SL	6	EA	
NA	A3189348	GASKET-FOAM VA3189348	1	EA	
NA	A3189337	GASKET-FOAM	4.2ft	EA	
NA	PB070351	MULTI-PURPOSE SEALANT	0.064oz	EA	

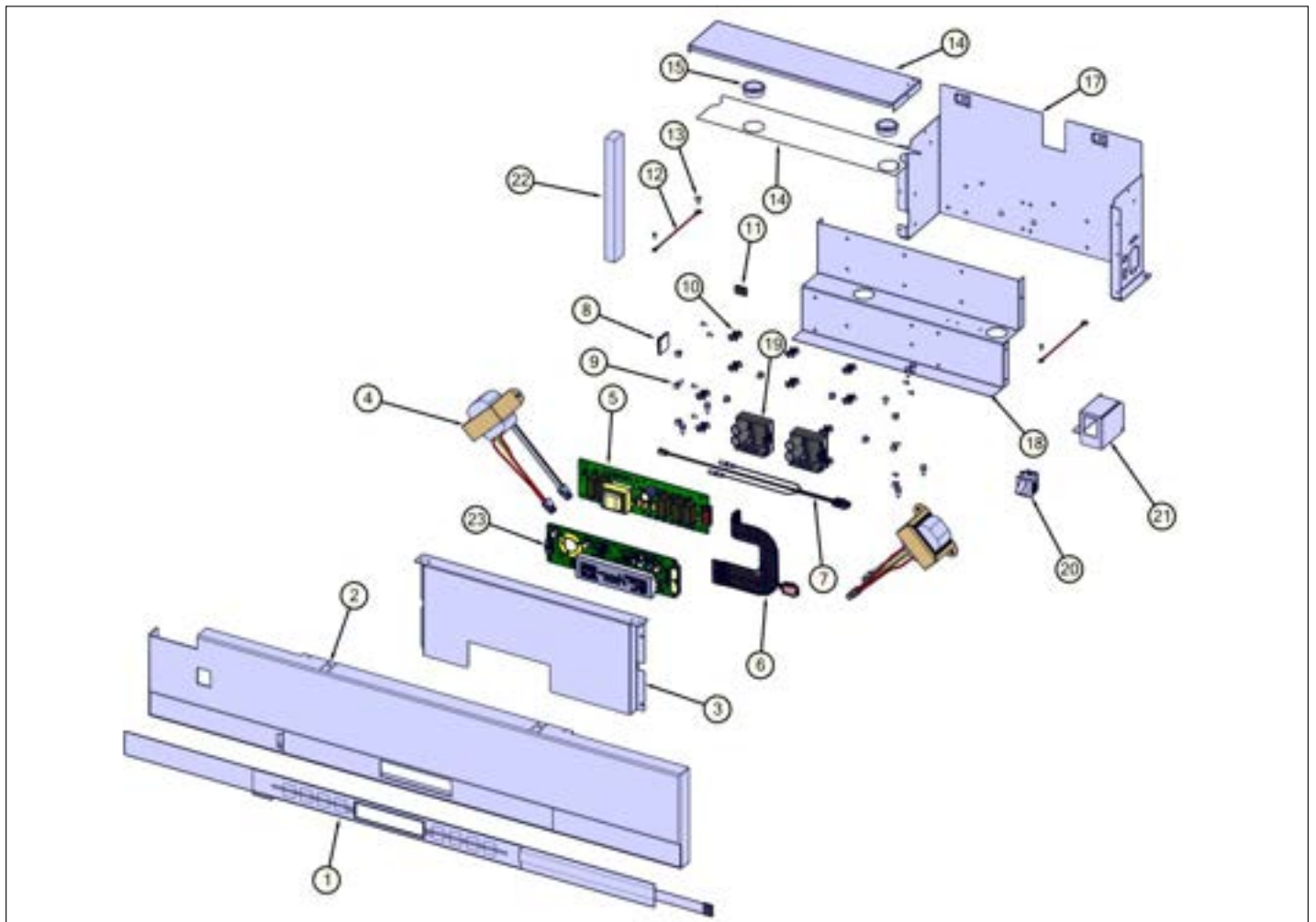
Bottom View





Item	Part No.	Name	Qty	Uom	NOTES
1	K20915952	SHIELD BOTTOM DRAIN	1	EA	
2	G50914125	PAN HEATER ASM	1	EA	
3	PK930348	PAN DRAIN	1	EA	
4	PE050248	FLOAT SWITCH HORIZONTAL	1	EA	
5	A4554817	BUSHING-SNAP VA4554817	1	EA	
6	M0253916	SCR 8-32 SHXW 3/8 TRI-LOBE	2	EA	
7	A4554806	BUSHING-SNAP VA4554806	2	EA	
8	PD020274	SCR SLTD HEX WSHR HD 8X1.250 BT	2	EA	
9	011332-000	SPACER,NYL	2	EA	
10	G32913789	BRKT & VALVE H20 SNGL ASM	1	EA	
11	060891-000	LEVELER, MODULE, L	1	EA	
12	PD020194	SCR, HEX SRTD WSHR HD, #8- 18 X 1/2	23	EA	
13	M0104102	CLIP-CORD RED	2	EA	
14	m0104106	CLIP-CORD VM0104106	2	EA	
15	013112-000	AXIAL FAN	1	EA	
16	K20911831	BRACKET CONDENSATE SUPPORT	2	EA	
17	F20915696	SERPENTINE CONDENSER DRAIN	1	EA	
18	PD030146	STAND OFF LOCK CLIP	14	EA	
19	060890-000	LEVELER, MODULE, R	1	EA	
20	K2098044	BRKT GRILLE SUPPORT	1	EA	
21	10712401	PLUG-VENT	3	EA	
22	PK030540	DRAIN TUBE SXS's & 36BM	1	EA	
23	B20915627	BRACKET HORIZ FLOAT SWITCH	1	EA	
24	K2098096	BRKT GRILLE SUPPORT	1	EA	

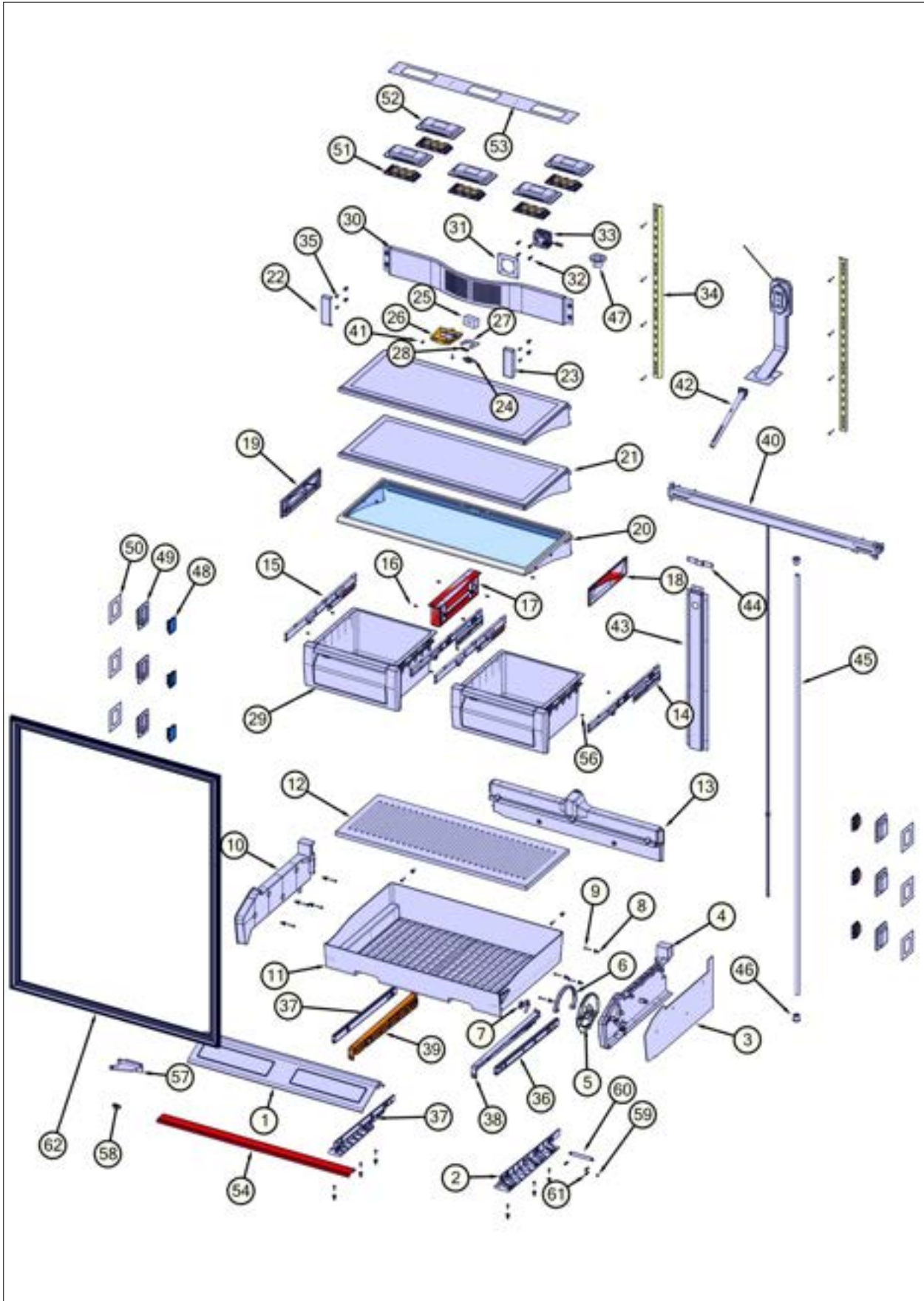
Control View





Item	Part No.	Name	Qty	Uom	NOTES
1	043376-000	OVERLAY, SW, ASM, BM 36	1	EA	
2	016506-000	PANEL CONTROL BM 36 L	1	EA	
3	016930-000	MOTR CONTROL BOX FRONT	1	EA	
4	046386-000	TRANSFORMER, LED SOFT START	2	EA	
5	005319-000	POWER CONTROL BOARD ASM	1	EA	
<p>Comments for Part Num. 005319-000</p> <p>boltz on Apr 12, 2018 See TR-0056-SP Bulletin</p>					
6	PE970464	HARNESS LOW VOLT	1	EA	
7	PE970609	HARNESS CONTROL BOARD	1	EA	
8	m0104106	CLIP-CORD VM0104106	1	EA	
9	M0238859	SCREW-SHLDR	3	EA	
10	m0585504	SUPPORT	10	EA	
11	M0288120	NUT-SPEED VM0288120	1	EA	
12	12064001	SUPP-CONT PANEL	2	EA	
13	M0224128	SCR 8-18 B TRP 5/16 S	2	EA	
14	005396-000	FILM,PROTECTIVE	1	EA	
15	A4554817	BUSHING-SNAP VA4554817	1	EA	
16	K20915000	CONTROL BOX TOP	1	EA	
17	047016-000	MOTOR CONTROL BOX	1	EA	
18	044479-000	MOTOR BRACKET PCB	1	EA	
19	046385-000	CIRCUIT, LED SOFT START	2	EA	
20	PE950121	SWITCH	1	EA	
21	025433-000	BRACKET,SW,POWER	1	EA	
22	A3030361	GASKET RED	1	EA	
23	057309-000	BOARD, LOW VOLTAGE	1	EA	
<p>Comments for Part Num. 057309-000</p> <p>gboltz@VikingRange.com on Apr 29, 2019 SEE TTR-0010 for installation</p>					

Interior View





Item	Part No.	Name	Qty	Uom	NOTES
1	044809-000	DOOR MEAT SAVOR ASM AR/BM 36	1	EA	
2	PK930173	SUPPORT SLIDE MEAT SAVOR SXS 42/48 R	1	EA	
3	PK930283	DUCT MEATSAVOR SPACER	1	EA	
4	044232-000	DUCT MEAT SAVOR (R)	1	EA	
5	044384-000	DIAL CONTROL MEAT SAVOR	1	EA	
6	044385-000	COVER CONTROL MEATSAVER	1	EA	
7	PM910334	ROLLER TENSION	1	EA	
8	M0581001	GROMMET-SCREW	20	EA	
9	M0211021	SCREW-SM	10	EA	
10	PK930284	DUCT MEATSAVOR LEFT	1	EA	
11	PK930278	DRAWER MEAT SAVOR AR BM 36	1	EA	
12	PK930286	SHELF MEATSAVOR AR/BM 36	1	EA	
13	PK930388	DUCT, MEATSAVOR REAR BM 36	1	EA	
14	044808-000	SHELF & SLIDE ASM 36 AR & 36 BM	1	EA	
Not Shown	NOTE	(BEFORE 02/17/2015)		EA	
14	046235-000	SLIDE, DWR, SOFT CLOSE - RH	2	EA	
Not Shown	NOTE	(ON OR AFTE 02/17/2015)		EA	
15	044808-000	SHELF & SLIDE ASM 36 AR & 36 BM	1	EA	
Not Shown	NOTE	(BEFORE 02/17/2015)		EA	
15	046255-000	SLIDE, DWR, SOFT CLOSE - LH	2	EA	
Not Shown	NOTE	(ON OR AFTE 02/17/2015)		EA	
16	PD920161	SCR 8-16 PLASTITE PNP 3/8 S	8	EA	
17	PK030439	GLIDE CENTER SUPPORT AR 36	1	EA	
18	044214-000	SUPPORT SLIDE R (See PK930290)	1	EA	
19	044219-000	SUPPORT SLIDE L (See PK930291)	1	EA	
20	043203-000	SHELF ASM GLASS AR/BM 36	1	EA	



Item	Part No.	Name	Qty	Uom	NOTES
21	042673-000	SHELF, GL, 36" NANO SHELF ASSY	1	EA	
22	12070202	CAP-L FAN COVER V12070202	1	EA	
23	12070201	CAP-R FAN COVER V12070201	1	EA	
24	C8983701	THERMISTOR	1	EA	
25	PB970138	INSULATION THERMISTOR BM 36 FF	1	EA	
26	044810-000	HOUSING, PCI, ASM	1	EA	
27	12404901	GASKET-THERM V12404901	1	EA	
28	12090301	CLIP-S V12090301	1	EA	
29	012396-000	DRAWER,PRODUCE,ASM 36 AR/BM	2	EA	
30	044177-000	COVER- REF FAN	1	EA	
31	007302-000	BRACKET,FAN	1	EA	
32	007301-000	GROMMET,RUBBER	4	EA	
33	004551-000	AXIAL FAN	1	EA	
34	PK020074	LADDER SIDE BTM 36	2	EA	
35	PD020195	SCR 8-18 X 5/8	18	EA	
36	PM910287	SLIDE MEAT SAVOR R	1	EA	
37	PK930174	SUPPORT SLIDE MEAT SAVOR SXS 42/48 L	1	EA	
38	PK930175	SUPPORT DRAWER MEAT SAVOR SXS 42/48 R	1	EA	
39	PK930176	SUPPORT DRAWER MEAT SAVOR 42/48 L	1	EA	
40	G3096620	CTR MULLION ASSY 12042603	1	EA	
41	PD020010	10 X 3/8 GREEN GROUNDING SCREW	1	EA	
42	009216-000	FILL TUBE BM	1	EA	
43	026251-000	CHANNEL,WTR,36 BM	1	EA	
44	026540-000	BM, IM, FILL TUBE, BRKT	1	EA	
45	026221-000	1/2"CPVC 70"	1	EA	
46	026222-000	BUSHING,REDUCING 3/4" X 1/2"	2	EA	
47	PK930158	FLANGE UPPER HT EXCH SLEEVE	1	EA	
48	042764-000	LED LIGHT, 3-POINT	6	EA	



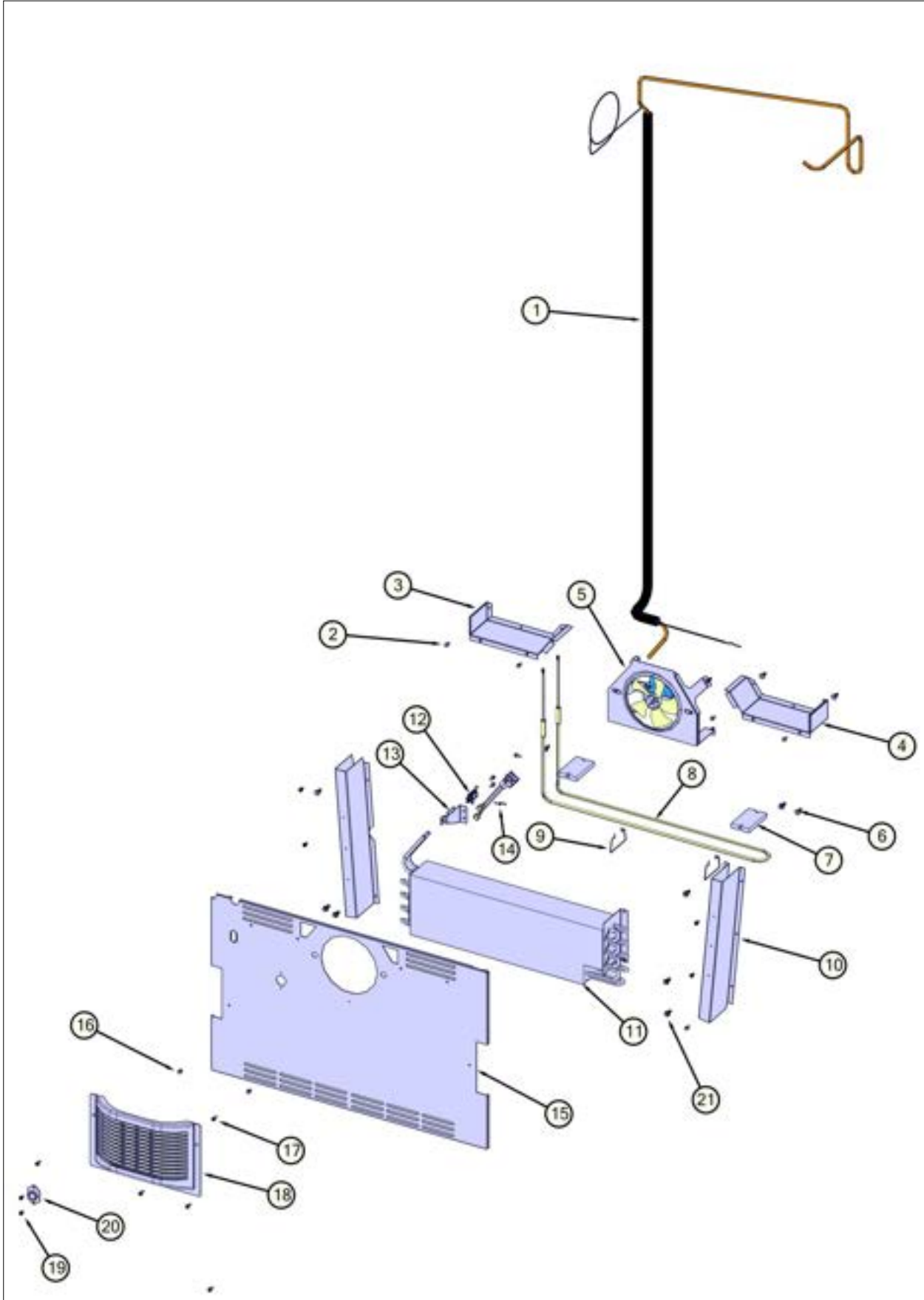
Item	Part No.	Name	Qty	Uom	NOTES
49	046358-000	LED CUP ASSY (3) (NON-SERVICEABLE PART)	6	EA	
50	044694-000	LED SHIM, SMALL SINGLE (NON-SERVICEABLE PART)	6	EA	
51	042766-000	LED LIGHT, 8-POINT	5	EA	
52	046357-000	LED CUP ASSY (8)	5	EA	
53	043192-000	LED SHIM, FF	2	EA	
54	PK930177	SPACER TOP/BTM AR 36	1	EA	
55	PK930250	DUCT CRISPER AIR BM 36	1	EA	
56	PD920162	SCR 8-16 PLASTITE PNP 1/4 S	6	EA	
57	044367-000	HINGE ASM, CENTER HINGE BM LH	1	EA	
58	043246-000	CAM, DOOR CLOSURE, TOP (SEE PC020228)	1	EA	
59	PD020187	SCR 8-32 MCH HXWS 1/4 S ZN	1	EA	
60	K10911852	SHIM-CENTER HINGE	1	EA	
61	043902-000	10-32 X 3/4 TRILOBE (T20) FLAT HEAD	1	EA	
62	005449-000	GASKET, ASM, 36, FF	1	EA	
63	PM910288	SLIDE MEAT SAVOR L	1	EA	

Comments for Part Num. PM910288

profifixappliances@gmail.com on May 3, 2017

ITEM # 5 SHOULD BE PK930288-DOOR MEATSAVOR ASM AR/BM 36

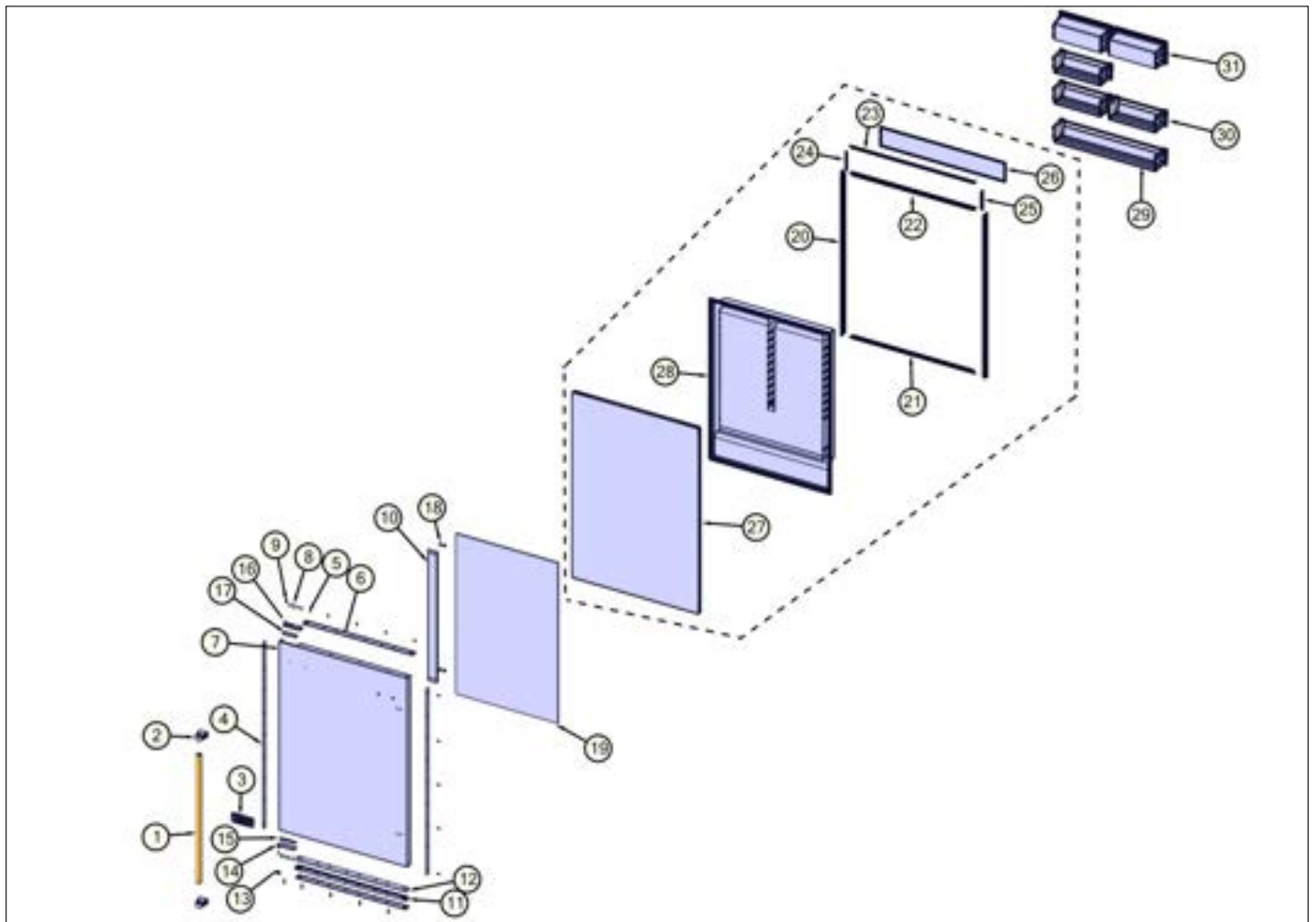
Lo Side Asm View





Item	Part No.	Name	Qty	Uom	NOTES
1	031006-000	HEAT EXCHANGER ASM BM 36	1	EA	
2	PD020194	SCR, HEX SRTD WSHR HD, #8-18 X 1/2	16	EA	
3	k2097168	BRKT DIVIDER L	1	EA	
4	k2097169	BRKT DIVIDER R	1	EA	
5	G50910016	FAN EVAP ASM BM 36	1	EA	
6	M0581001	GROMMET-SCREW	16	EA	
7	12067301	BLOCK-L EVAP V12067301	2	EA	
8	PJ910030	BOTTOM MOUNT EVAP HEATER	1	EA	
9	10428101	CLIP-EVAP HTR V10428101	2	EA	
10	k2097172	CHANNEL AIR RETURN	2	EA	
11	PM910178	BOTTOM MOUNT EVAP	1	EA	
12	003471-000	SWITCH SNAP-ACTION BM 36	1	EA	
13	K2098398	36 BM SWITCH MOUNTING BRKT	1	EA	
14	M0213105	SCREW-SM	2	EA	
15	000247-000	COVER, EVAP, BM	1	EA	
16	PD020038	SCREW-#10 X 3/8 HEX WH.HD.T(F)GREEN	2	EA	
17	M0211018	SCREW-SM	7	EA	
18	12063301	FREEZER FAN COVER	1	EA	
19	M0253916	SCR 8-32 SHXW 3/8 TRI-LOBE	2	EA	
20	C8983701	THERMISTOR	1	EA	
21	PD020195	SCR 8-18 X 5/8	3	EA	

FF Door View



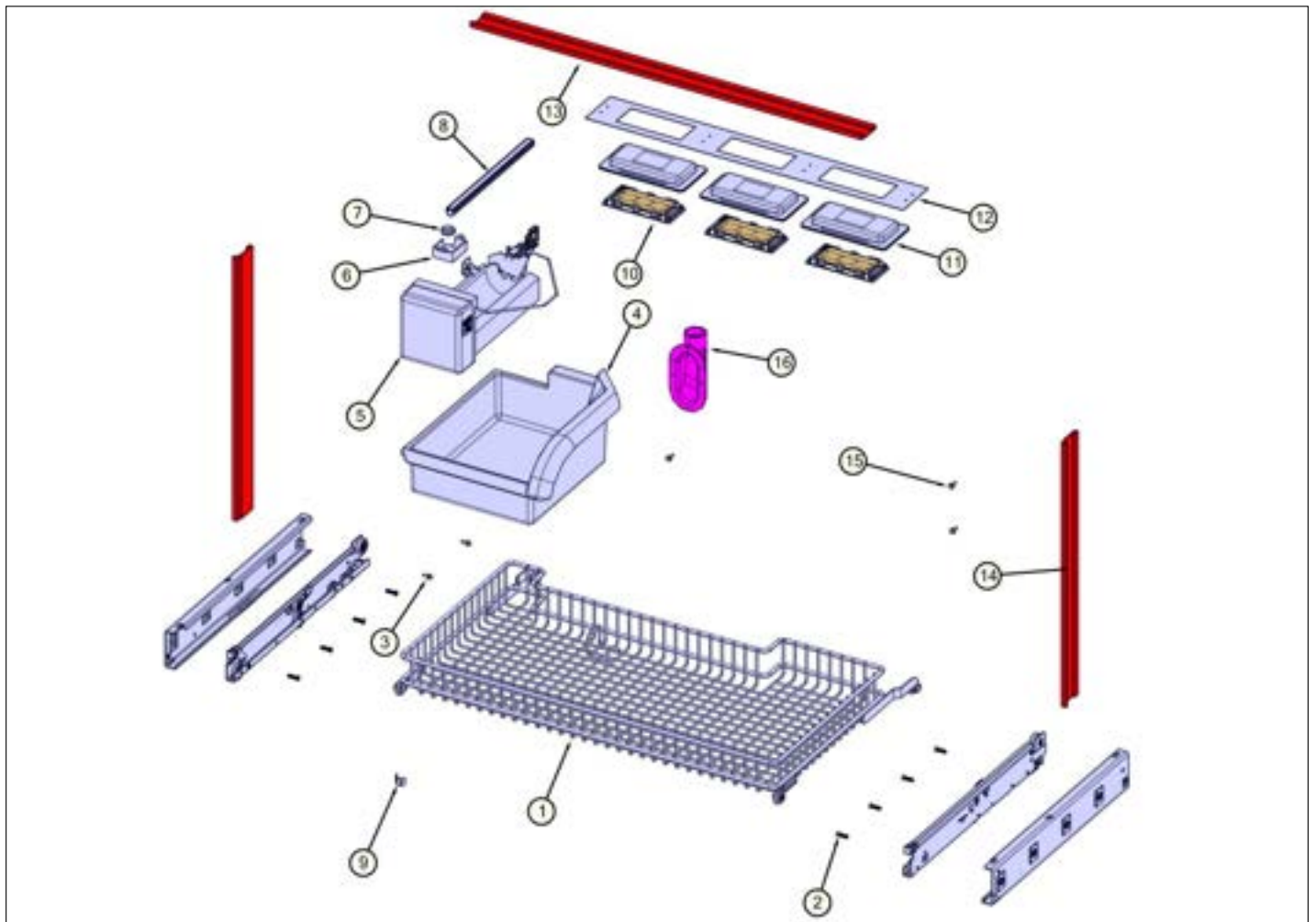


Item	Part No.	Name	Qty	Uom	NOTES
1	030894-000	HANDLE, DOOR 36" BRIGADE	1	EA	
2	026965-000	END CAP, ASM, DOOR HANDLE	2	EA	
3	PE010030	LOGO 6" (VGRC) *BK*	1	EA	
4	014580-000	SPACER,TRIM,BM	2	EA	
5	M0210458	SCR 8-18 X 5/8 WAFER PH SMS	10	EA	
6	056845-000	TRIM DOOR BULLNOSE 36 TOP/BOT	2	EA	
7	042580-000	SKIN, DOOR, BM 36 PRO FF LH SS	1	EA	
8	PD920174	10X7/8 PHILLIPS SMA TRI LOBE SA	8	EA	
9	PD020068	SCREW	1	EA	
10	042374-000	BRACKET, HANDLE SUPPORT	1	EA	
11	011101-000	DOOR,SKIN,EXT INSR	1	EA	
12	010839-000	BLOCK,FOAM,DES, PROI	1	EA	
13	044316-000	CAM, DOOR CLOSURE, TOP	1	EA	
14	044346-000	PIVOT PLATE ASM, LH, LWR	1	EA	
15	001617-000	SPACER,NYL,PIVOT PLATE	1	EA	
16	044356-000	PIVOT PLATE, ASM, LH, UPR	1	EA	
17	PD040162	SPACER-DOOR HINGE	1	EA	
18	035647-000	BOLT, FASTENER, HXH, SST	4	EA	
19	PM910066	FOAM, DOOR SKIN (BM)	1	EA	
20	004953-000	RETAINER,GSKT,SIDE,BTM, 36 FF VID# 202724953-17	2	EA	
21	002810-000	RETAINER,GSKT,LWR,36 AF AR, BM VID# 202722810-17	1	EA	
22	004082-000	RETAINER,GSKT,MDL,TOP,36 AF AR, BM VID# 202734082-17	1	EA	
23	PK030553	EXTR DR GASKET 36 TOP VID# 234830553-17	1	EA	
24	002862-000	EXTENSION,DOOR,TOP,RH,EX TRSN VID# 234832862-17	1	EA	
25	002878-000	EXTENSION,DOOR,TOP,LH,EX TRSN VID# 234832878-17	1	EA	
26	12089201	LINER-EXTENSION	1	EA	
27	G30915956	PAN WELD ASM 36 BM	1	EA	
28	PK930256	LINER DOOR BTM 36 FF	1	EA	



Item	Part No.	Name	Qty	Uom	NOTES
29	036884-000	DOORBIN ASM FF 36 FULL	1	EA	
30	036882-000	DOORBIN ASM FF 36 HALF	3	EA	
31	V12097404	DAIRY MODULE ASM	2	EA	

FZ Interior View



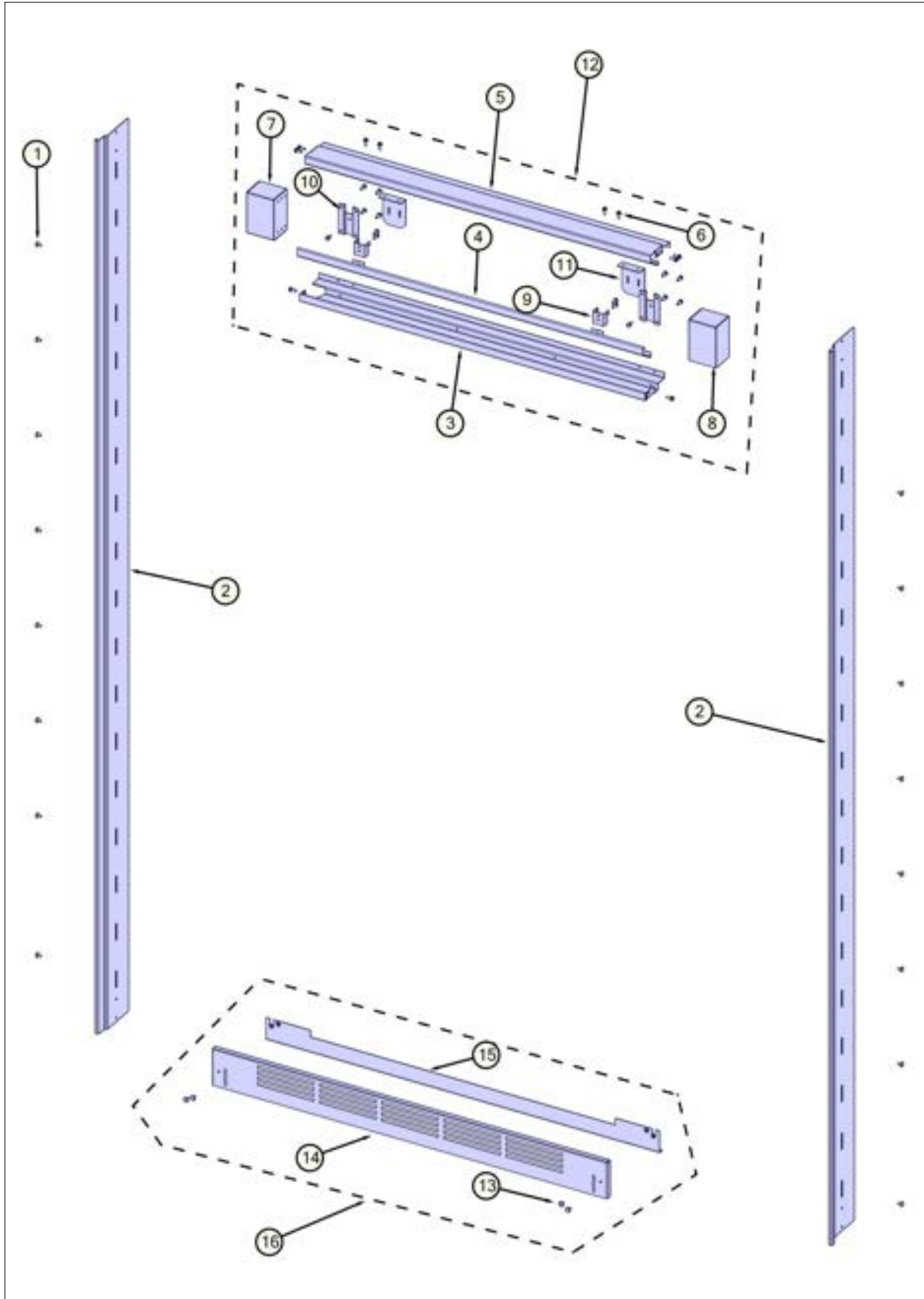


Item	Part No.	Name	Qty	Uom	NOTES
1	PM010630	TOP BASKET	1	EA	
2	043902-000	10-32 X 3/4 TRILOBE (T20) FLAT HEAD	8	EA	
3	PD020194	SCR, HEX SRTD WSHR HD, #8- 18 X 1/2	2	EA	
4	PK930056	PAN ICE	1	EA	
5	G50911850	ICE MAKER ASSY, BM (SEE BULLETIN TR-0023C-SP)	1	EA	
<p>Comments for Part Num. G50911850</p> <p>bradleysapplianceservice@shaw.ca on Jan 7, 2016 ICE MAKER BAIL ARM ACCESSORY KIT NUMBER 002251-000 -BAIL ARM (BOTTOM MOUNT) -BAIL ARM (DISPENSER AND NON-DISPENSER SIDE BY SIDE, ALL FREEZER) -ICE MAKER SHUTOFF WIRE</p> <p>ICE MAKER KIT NUMBER 002252-000 -ICE MAKER -ICE MAKER COVER -ICE MAKER LABEL -FILL CUP CLIP</p> <p>ICE MAKER WIRE HARNESS KIT NUMBER 002253-000 -ICE MAKER HARNESS -WIRE CLAMP</p> <p>REF: TECHNICAL BULLITEN: TR-0023C-SP</p>					
6	12106101	COVER-WIRING V12106101	1	EA	
7	A4554818	BUSHING-SNAP VA4554818	1	EA	
8	10250003	COVER-WIRING	1	EA	
9	12026602	CLIP-PC LOOP	9	EA	
10	042766-000	LED LIGHT, 8-POINT	3	EA	
11	046357-000	LED CUP ASSY (8)	3	EA	
12	044692-000	LED SHIM, 24"	1	EA	
13	PK930049	SPACER LINER 36 BM FZ TOP	2	EA	
14	PK930050	SPACER LINER 36 BM FZ SIDE	2	EA	
15	PD020195	SCR 8-18 X 5/8	5	EA	



Item	Part No.	Name	Qty	Uom	NOTES
16	PK930159	FLANGE LOWER HT EXCH SLEEVE	1	EA	

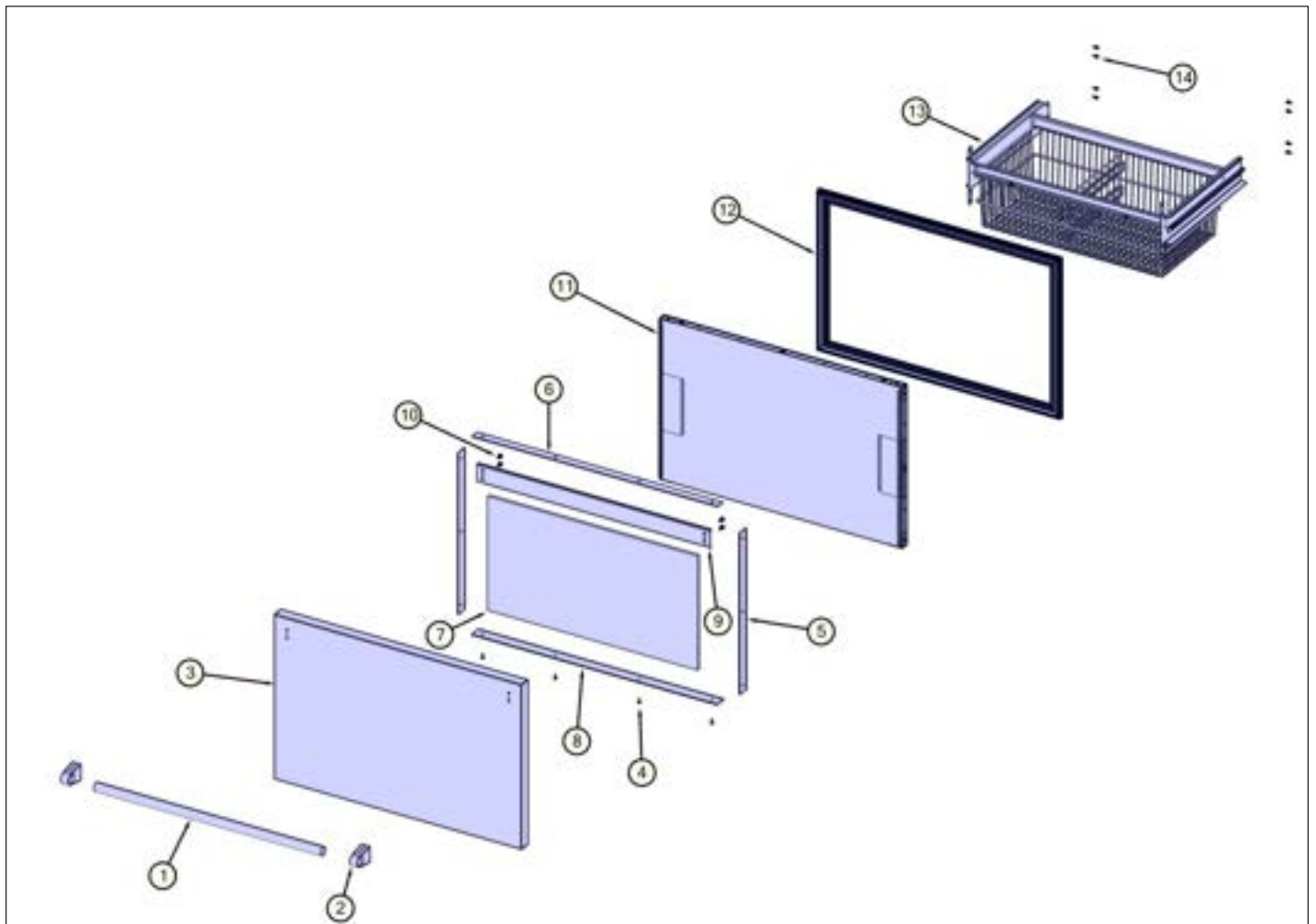
Trim and Grille View





Item	Part No.	Name	Qty	Uom	NOTES
1	PD020032	SRW-8(A)X3/8"PH.WFR HD 7/16DIA*NICL	18	EA	
2	PK910123	SIDE TRIM - PRO	2	EA	
3	043720-000	GRILLE LOWER 36 BM LH	1	EA	
4	043716-000	GRILLE LOUVER MID AF AR 36	1	EA	
5	043713-000	GRILLE LOUVER UPPER AF AR 36	1	EA	
6	M0220417	SCREW-TC	22	EA	
7	043722-000	ENDCAP, GRILLE, L, HINGE	1	EA	
8	043721-000	ENDCAP, GRILLE, R, HINGE	1	EA	
9	b2096961	BRACKET-LOUVER	2	EA	
10	PK050004	BRACKET GRILLE 5 SERIES	2	EA	
11	K20916342	BRACKET GRILLE	2	EA	
12	043727-000	GRILLE, ASM, 36, BTM, PRO LH	1	EA	
13	PD020032	SRW-8(A)X3/8"PH.WFR HD 7/16DIA*NICL	4	EA	
14	044139-000	TOE GRILLE- VENTED BM 36	1	EA	
15	044137-000	KICKPLATE, LWR	1	EA	
16	044439-000	GRILLE TOE ASM BM 36	1	EA	

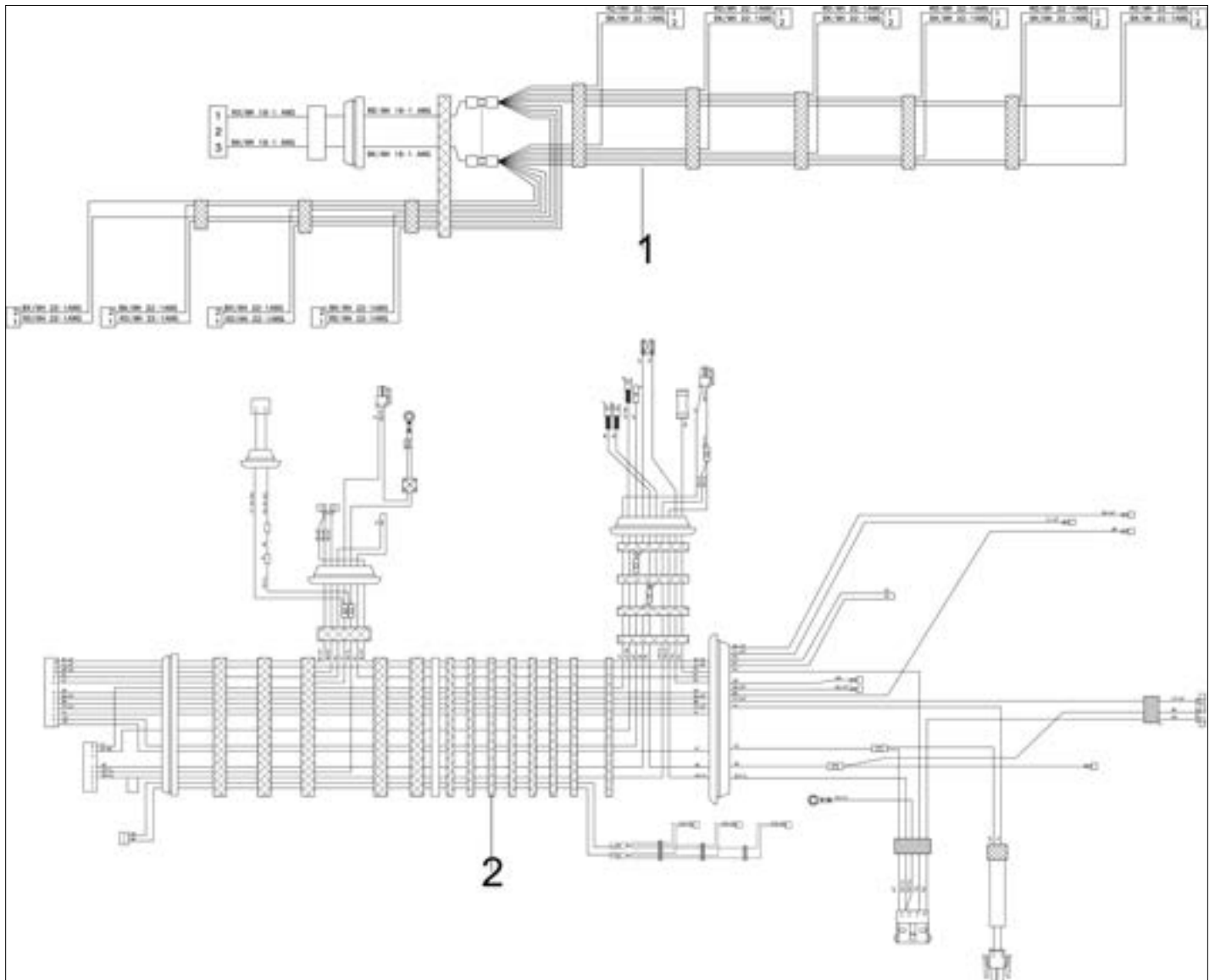
FZ Drawer View





Item	Part No.	Name	Qty	Uom	NOTES
1	042448-000	HANDLE, TUBE- 32.445	1	EA	
2	026965-000	END CAP, ASM, DOOR HANDLE	2	EA	
3	042414-000	FZ DOOR SKIN SS	1	EA	
4	M0210458	SCR 8-18 X 5/8 WAFER PH SMS	4	EA	
5	056846-000	TRIM - DOOR BM PRO FC SIDES	2	EA	
6	PK930005	SPACER - DES FC TOP	1	EA	
7	000658-000	BLOCK, EPS REF DOOR BM FZ DES	1	EA	
8	056847-000	TRIM - DOOR BM FC BOT	1	EA	
9	042425-000	BRACLET HANDLE SUPPORT BM PRO	1	EA	
10	035647-000	BOLT, FASTENER, HXH, SST	4	EA	
11	007565-000	DOOR FOAM ASM 36 BM FZ	1	EA	
12	005450-000	GASKET, ASM, 36, BM FZ	1	EA	
13	001275-000	BASKET BOTTOM ASM 36 BM	1	EA	
14	023005-000	NO.10-32 X 1/2 HEX HEAD MACHINE SCREW	8	EA	

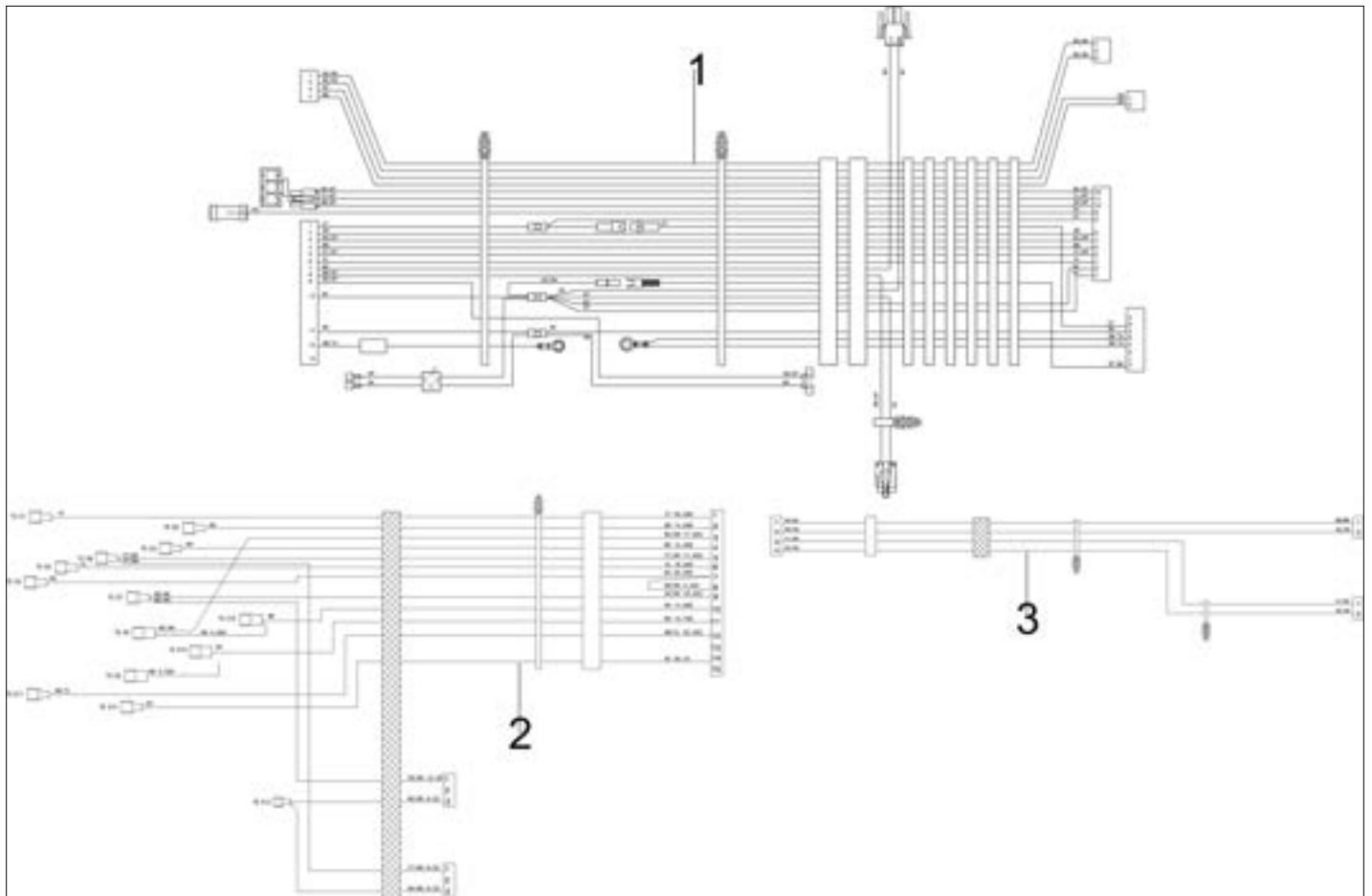
Wiring View 1





Item	Part No.	Name	Qty	Uom	NOTES
1	046484-000	HARNESS, FF, LED LIGHT BM	1	EA	
2	043229-000	HARNESS, FZ, CABINET BM	1	EA	

Wiring View 2





Item	Part No.	Name	Qty	Uom	NOTES
1	043792-000	HARNESS, MC BM	1	EA	
2	048643-000	HARNESS, HIGH VOLTAGE	1	EA	
3	048680-000	HARNESS, POWER SUPPLY, LED, BM/SXS	1	EA	



Appendix A:Pages Index

Bottom View 2
Control View 3
FF Door View 6
FZ Drawer View 9
FZ Interior View 7
Interior View 4
Lo Side Asm View 5
Top View 1
Trim and Grille View 8
Wiring View 1 10
Wiring View 2 11



Appendix B:Parts Index

000247-000	5	026965-000	6, 9
000570-000	1	030894-000	6
000658-000	9	030926-000	1
001022-000	1	031006-000	5
001275-000	9	035647-000	6, 9
001617-000	6	036882-000	6
002810-000	6	036884-000	6
002862-000	6	042374-000	6
002878-000	6	042414-000	9
003325-000	1	042425-000	9
003471-000	5	042448-000	9
004082-000	6	042580-000	6
004551-000	4	042673-000	4
004953-000	6	042764-000	4
005319-000	3	042766-000	4, 7
005396-000	3	043192-000	4
005449-000	4	043203-000	4
005450-000	9	043229-000	10
007301-000	4	043246-000	4
007302-000	4	043376-000	3
007565-000	9	043713-000	8
007979-000	1	043716-000	8
009216-000	4	043720-000	8
010839-000	6	043721-000	8
011101-000	6	043722-000	8
011332-000	2	043727-000	8
012396-000	4	043792-000	11
013112-000	2	043902-000	4, 7
014190-000	1	044034-000	1
014369-000	1	044137-000	8
014580-000	6	044139-000	8
016506-000	3	044177-000	4
016930-000	3	044214-000	4
023005-000	9	044219-000	4
023823-000	1	044232-000	4
025433-000	3	044316-000	6
026221-000	4	044346-000	6
026222-000	4	044356-000	6
026251-000	4	044367-000	4
026540-000	4	044384-000	4
		044385-000	4



044439-000	8	12106101	7
044479-000	3	12115101	1
044692-000	7	12404901	4
044694-000	4	A3030302	1
044724-000	1	A3030361	3
044808-000	4, 4	A3189337	1
044809-000	4	A3189348	1
044810-000	4	A3189370	1
046235-000	4	A4554806	2
046255-000	4	A4554817	2, 3
046357-000	4, 7	A4554818	7
046358-000	4	B20915627	2
046385-000	3	C8983701	4, 5
046386-000	3	F20915696	2
046484-000	10	G30915956	6
047016-000	3	G3096620	4
048643-000	11	G32913789	2
048680-000	11	G50910016	5
050926-000	1	G50911850	7
056845-000	6	G50914125	2
056846-000	9	G5096494	1
056847-000	9	K10911852	4
057309-000	3	K20911831	2
059105-000	1	K20915000	3
060890-000	2	K20915952	2
060891-000	2	K20916342	8
068353-000	1	K2096943	1
10250003	7	K2098044	2
10428101	5	K2098096	2
10547001	1	K2098398	5
10699601	1	M0104102	1, 2
10712401	2	M0210458	6, 9
10835901	1	M0211018	5
12026602	7	M0211021	4
12063301	5	M0213105	5
12064001	3	M0220417	8
12067301	5	M0221523	1
12070201	4	M0224128	3
12070202	4	M0238859	3
12089201	6	M0253916	2, 5
12090301	4	M0288120	3



M0322202	1	PK930176	4
M0581001	4, 5	PK930177	4
PB070351	1	PK930250	4
PB970138	4	PK930256	6
PB970188	1	PK930278	4
PD020010	4	PK930283	4
PD020032	8, 8	PK930284	4
PD020038	5	PK930286	4
PD020068	6	PK930348	2
PD020187	4	PK930388	4
PD020194	1, 2, 5, 7	PM010619	1
PD020195	4, 5, 7	PM010630	7
PD020274	2	PM910066	6
PD030146	2	PM910178	5
PD040162	6	PM910287	4
PD920161	4	PM910288	4
PD920162	4	PM910334	4
PD920174	6	V12097404	6
PD930112	1	b2096961	8
PE010030	6	f2096507	1
PE050248	2	f2097740	1
PE950121	3	k2097168	5
PE950149	1	k2097169	5
PE970464	3	k2097172	5
PE970609	3	m0104106	2, 3
PJ910030	5	m0585504	3
PK020074	4		
PK030439	4		
PK030540	2		
PK030553	6		
PK050004	8		
PK910123	8		
PK930005	9		
PK930049	7		
PK930050	7		
PK930056	7		
PK930158	4		
PK930159	7		
PK930173	4		
PK930174	4		
PK930175	4		