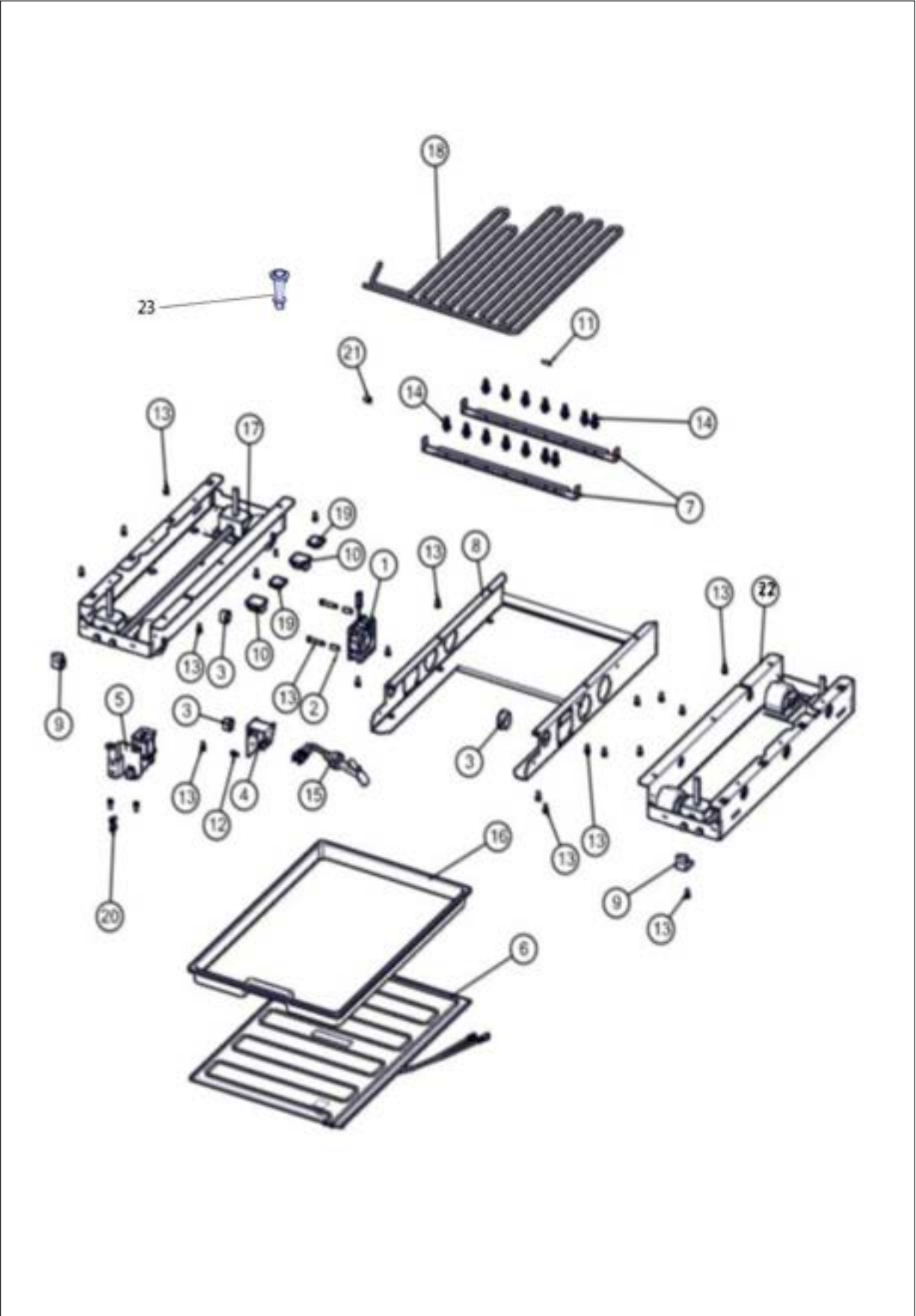


VCBB5363ERS02

UNIT BOTTOM	1
Unit Front and Sides RH	2
UNIT TOP	3
UNIT BOTTOM	4
FREEZER INTERIOR	5
FRESH FOOD INTERIOR	6
ELECTRICAL - 1	7
ELECTRICAL - 2	8
ELECTRICAL - 3	9
Appendix A:Pages Index	A
Appendix B:Parts Index	B

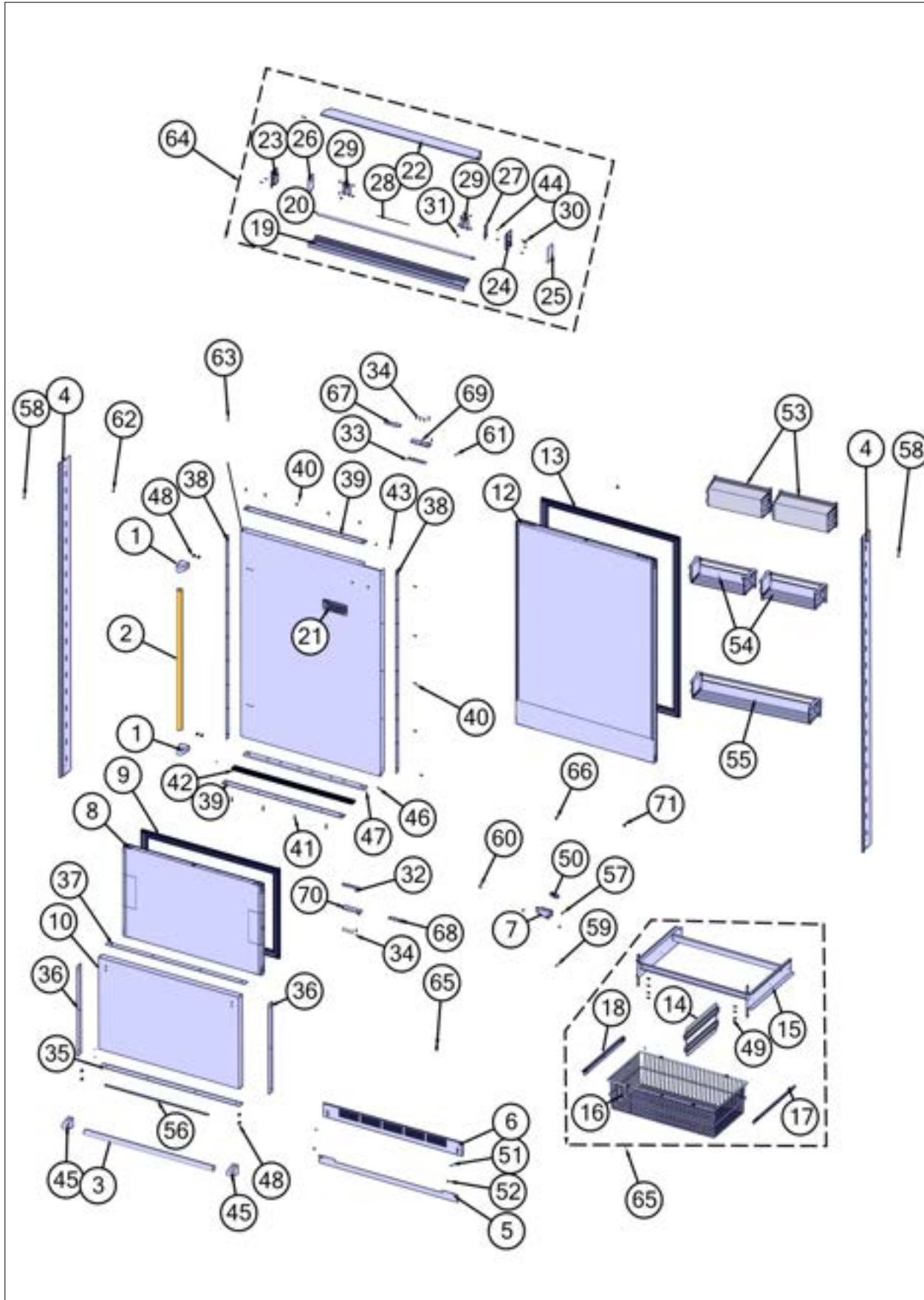
UNIT BOTTOM





Item	Part No.	Name	Qty	Uom	NOTES
1	013112-000	AXIAL FAN	1	EA	
2	011332-000	SPACER,NYL	2	EA	
3	A4554806	BUSHING-SNAP VA4554806	5	EA	
4	B20915627	BRACKET HORIZ FLOAT SWITCH	1	EA	
5	G32913789	BRKT & VALVE H2O SNGL ASM	1	EA	
6	G50914125	PAN HEATER ASM	1	EA	
7	K20911831	BRACKET CONDENSATE SUPPORT	2	EA	
8	K20915952	SHIELD BOTTOM DRAIN	1	EA	
9	K2098044	BRKT GRILLE SUPPORT	2	EA	
10	M0104102	CLIP-CORD RED	2	EA	
11	M0213105	SCREW-SM	1	EA	
12	M0253916	SCR 8-32 SHXW 3/8 TRI-LOBE	1	EA	
13	PD020194	SCR, HEX SRTD WSHR HD, #8-18 X 1/2	91	EA	
14	PD030146	STAND OFF LOCK CLIP	14	EA	
15	PE050248	FLOAT SWITCH HORIZONTAL	1	EA	
16	PK930348	PAN DRAIN	1	EA	
17	060891-000	LEVELER, MODULE, L	1	EA	
18	F20915696	SERPENTINE CONDENSER DRAIN	1	EA	
19	M0104106	CLIP-CORD VM0104106	2	EA	
20	M0220417	SCREW-TC	2	EA	
21	PD020010	10 X 3/8 GREEN GROUNDING SCREW	1	EA	
22	060890-000	LEVELER, MODULE, R	1	EA	
23	PK030540	DRAIN TUBE SXS's & 36BM	1	EA	

Unit Front and Sides RH





Item	Part No.	Name	Qty	Uom	NOTES
1	026965-000	END CAP, ASM, DOOR HANDLE	2	EA	
2	030894-000	HANDLE, DOOR 36" BRIGADE	1	EA	
3	042448-000	HANDLE, TUBE- 32.445	1	EA	
4	PK910123	SIDE TRIM - PRO	2	EA	
5	044137-000	KICKPLATE, LWR	1	EA	
6	044139-000	TOE GRILLE- VENTED BM 36	1	EA	
7	044367-000	HINGE ASM, CENTER HINGE BM LH	1	EA	
7	044368-000	HINGE ASM, CENTER HINGE BM RH	1	EA	
8	052243-000	DOOR FOAM ASM 36 BM FZ (1.25)	1	EA	
9	005450-000	GASKET,ASM,36,BM FZ	1	EA	
10	042414-000	FZ DOOR SKIN SS	1	EA	
10	046135-002	SKIN DOOR BM 36 FZ PRO BK	1	EA	
10	046135-005	SKIN DOOR BM 36 FZ PRO GG	1	EA	
10	046135-006	SKIN DOOR BM 36 FZ PRO WH	1	EA	
10	046135-008	SKIN DOOR BM 36 FZ PRO BU	1	EA	
10	046135-013	SKIN DOOR BM 36 FZ PRO CB	1	EA	
10	046135-024	SKIN DOOR BM 36 FZ PRO AR	1	EA	
10	046135-2801	FZ Drawer Skin - Kalamata Red (KA)	1	EA	
10	046135-2847	FZ Drawer Skin - Blackforest Green (BF)	1	EA	
10	046135-6180	FZ Drawer Skin - Cypress Green (CY)	1	EA	
10	046135-6258	FZ Drawer Skin - Cast Black (CS)	1	EA	
10	046135-6421	FZ Drawer Skin - Vanilla Cream (VC)	1	EA	
10	046135-6765	FZ Drawer Skin - Bywater Blue (BW)	1	EA	
10	046135-6797	FZ Drawer Skin - Alluvial Blue (AB)	1	EA	
10	046135-6871	FZ Drawer Skin - San Marzano Red (SM)	1	EA	
10	046135-7024	FZ Drawer Skin - Pacific Grey (PG)	1	EA	
10	046135-7070	FZ Drawer Skin - Frost White (FW)	1	EA	



Item	Part No.	Name	Qty	Uom	NOTES
10	046135-7585	FZ Drawer Skin - Reduction Red (RE)	1	EA	
10	046135-7652	FZ Drawer Skin -Artic Grey (AG)	1	EA	
10	046135-7674	FZ Drawer Skin - Damascus Grey (DG)	1	EA	
10	046135-9178	FZ Drawer Skin - Slate Blue (SB)	1	EA	
11	067813-000	SKIN, DOOR, BM 36 FF PRO RH, SS	1	EA	
11	067869-002	SKIN, DOOR, BM 36 FF PRO RH, DECARB BK	1	EA	
11	067869-005	SKIN, DOOR, BM 36 FF PRO RH, DECARB GG	1	EA	
11	067869-006	SKIN, DOOR, BM 36 FF PRO RH, DECARB WH	1	EA	
11	067869-008	SKIN, DOOR, BM 36 FF PRO RH, DECARB BU	1	EA	
11	067869-013	SKIN, DOOR, BM 36 FF PRO RH, DECARB CB	1	EA	
11	067869-024	SKIN, DOOR, BM 36 FF PRO RH, DECARB AR	1	EA	
11	067869-2801	FF, Right Door Skin - Kalamata Red (KA)	1	EA	
11	067869-2847	FF, Right Door Skin - Blackforest Green (BF)	1	EA	
11	067869-6180	FF, Right Door Skin - Cypress Green (CY)	1	EA	
11	067869-6258	FF, Right Door Skin - Cast Black (CS)	1	EA	
11	067869-6421	FF, Right Door Skin - Vanilla Cream (VC)	1	EA	
11	067869-6765	FF, Right Door Skin - Bywater Blue (BW)	1	EA	
11	067869-6797	FF, Right Door Skin - Alluvial Blue (AB)	1	EA	
11	067869-6871	FF, Right Door Skin - San Marzano Red (SM)	1	EA	
11	067869-7024	FF, Right Door Skin - Pacific Grey (PG)	1	EA	
11	067869-7070	FF, Right Door Skin - Frost White (FW)	1	EA	
11	067869-7585	FF, Right Door Skin - Reduction Red (RE)	1	EA	



Item	Part No.	Name	Qty	Uom	NOTES
11	067869-7652	FF, Right Door Skin -Artic Grey (AG)	1	EA	
11	067869-7674	FF, Right Door Skin - Damascus Grey (DG)	1	EA	
11	067869-9178	FF, Right Door Skin - Slate Blue (SB)	1	EA	
12	052246-000	DOOR FOAM ASM 36 BM FF (1.25)	1	EA	
13	005449-000	GASKET, ASM, 36, FF	1	EA	
14	003995-000	DIVIDER, BOT BASKET	1	EA	
15	PM010622	FRAME BASKET ASM 36 BM	1	EA	
16	PM910172	BASKET BOTTOM 36 BM FZ	1	EA	
17	PC080030	INNER MEMBER, SLIDE BM 36 (RH)	1	EA	
Not Shown	NOTE	(BEFORE 04/14/16)		EA	
17	057855-000	INNER MEMBER, SLIDE BM 36 (RH)	1	EA	
Not Shown	NOTE	(ON OR AFTER 04/14/16)		EA	
18	PC080027	INNER MEMBER, SLIDE BM 36 (LH)	1	EA	
Not Shown	NOTE	(BEFORE 04/14/16)		EA	
18	057854-000	INNER MEMBER, SLIDE BM 36 (LH)	1	EA	
Not Shown	NOTE	(ON OR AFTER 04/14/16)		EA	
19	016190-000	GRILLE LOWER 36 BM LH	1	EA	
19	016189-000	GRILLE LOWER 36 BM RH	1	EA	
20	052278-000	LOUVER, CTR	1	EA	
21	062341-000	NAMEPLATE, VIKING, 3.500", W/LOC PINS 5 SERIES	1	EA	
22	016205-000	GRILLE LOUVER UPPER AF AR 36 DES FOL	1	EA	
23	052297-000	END CAP, GRILLE, CHROME, LH	1	EA	
24	052298-000	END CAP, GRILLE, CHROME, RH	1	EA	
25	033729-000	ENDCAP, GRILLE, R, HINGE	1	EA	
26	033707-000	ENDCAP, GRILLE, L, NO HINGE	1	EA	

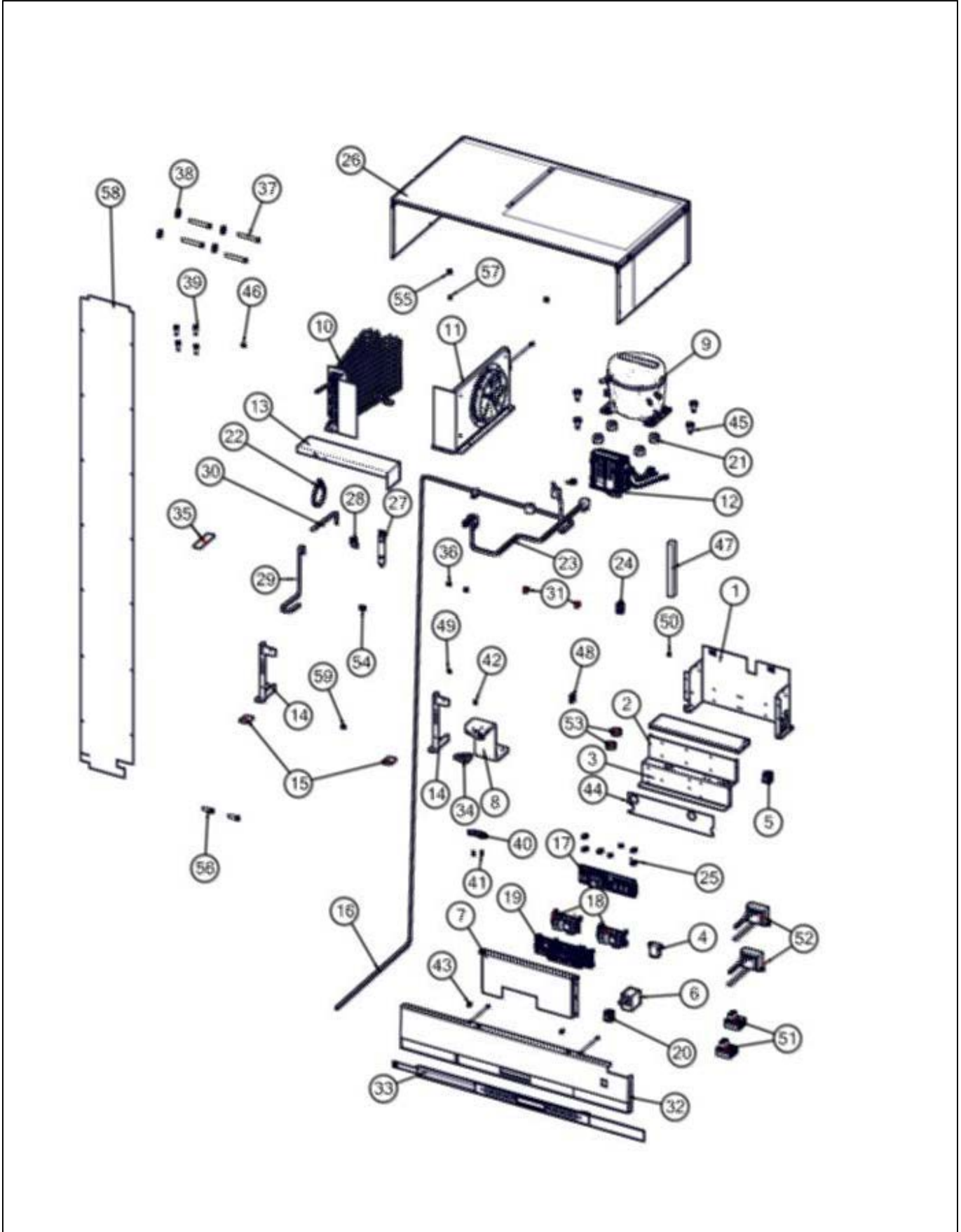


Item	Part No.	Name	Qty	Uom	NOTES
27	K2099470	BRACKET GRILLE SUPPORT R	1	EA	
28	PF930523	GRILL BLADE LABEL (REFRIGERATOR)	1	EA	
29	PK050004	BRACKET GRILLE 5 SERIES	2	EA	
30	003004-000	8 - 18 X 1/2 ZN/CLR PHIL FLAT TRIM HD #5 TYPE AB TAPPING SCREW	6	EA	
31	PD020194	SCR, HEX SRTD WSHR HD, #8- 18 X 1/2		EA	
32	001617-000	SPACER,NYL,PIVOT PLATE	1	EA	
33	PD040162	SPACER-DOOR HINGE	1	EA	
34	PD920174	10X7/8 PHILLIPS SMA TRI LOBE SA		EA	
35	056847-000	TRIM - DOOR BM FC BOT	1	EA	
36	056846-000	TRIM - DOOR BM PRO FC SIDES	2	EA	
37	PK930005	SPACER - DES FC TOP	1	EA	
38	014580-000	SPACER,TRIM,BM	2	EA	
39	056845-000	TRIM DOOR BULLNOSE 36 TOP/BOT	2	EA	
40	M0210458	SCR 8-18 X 5/8 WAFER PH SMS	2	EA	
41	010944-000	8-18 X 1 PH WAFER HD	1	EA	
42	011101-000	DOOR,SKIN,EXT INSR	1	EA	
43	PD030006	PALNUT, CAPPED, WASHER	4	EA	
44	M0224128	SCR 8-18 B TRP 5/16 S	1	EA	
45	026965-000	END CAP, ASM, DOOR HANDLE	2	EA	
46	PD020187	SCR 8-32 MCH HXWS 1/4 S ZN		EA	
47	010839-000	BLOCK,FOAM,DES, PROI	1	EA	
48	035647-000	BOLT, FASTENER, HXH, SST		EA	
49	023005-000	NO.10-32 X 1/2 HEX HEAD MACHINE SCREW		EA	
50	044316-000	CAM, DOOR CLOSURE, TOP	1	EA	
51	40370P01	WASHER, FLAT	2	EA	
52	PD020032	SRW-8(A)X3/8"PH.WFR HD 7/16DIA*NICL	2	EA	
53	V12097404	DAIRY MODULE ASM	2	EA	
54	036882-000	DOORBIN ASM FF 36 HALF	2	EA	



Item	Part No.	Name	Qty	Uom	NOTES
55	036884-000	DOORBIN ASM FF 36 FULL	1	EA	
56	052406-000	EXTRUSION SHIM	1	EA	
57	043902-000	10-32 X 3/4 TRILOBE (T20) FLAT HEAD		EA	
58	PD020032	SRW-8(A)X3/8"PH.WFR HD 7/16DIA*NICL	2	EA	
59	PD020187	SCR 8-32 MCH HXWS 1/4 S ZN	1	EA	
60	043902-000	10-32 X 3/4 TRILOBE (T20) FLAT HEAD		EA	
61	001091-000	NO.8-32X1/4 FLAT PHIL HD TAPTITE	1	EA	
62	M0274067	WASHER-NYLON	1	EA	
63	M0253916	SCR 8-32 SHXW 3/8 TRI-LOBE	1	EA	
64	052436-000	GRILLE, ASM, 36 BTM PRO CHROME, LH	1	EA	
64	052435-000	GRILLE, ASM, 36 BTM PRO CHROME, RH	1	EA	
65	001275-000	BASKET BOTTOM ASM 36 BM	1	EA	
66	PD020068	SCREW		EA	
67	044859-000	SPACER 4-HOLE, SILVER POWDER COATED	1	EA	
68	001617-000	SPACER,NYL,PIVOT PLATE	1	EA	
69	044356-000	PIVOT PLATE, ASM, LH, UPR		EA	
69	044357-000	PIVOT PLATE ASM, RH, UPR	1	EA	
70	044346-000	PIVOT PLATE ASM, LH, LWR	1	EA	
70	044345-000	PIVOT PLATE ASM, RH, LWR	1	EA	
71	M0210458	SCR 8-18 X 5/8 WAFER PH SMS		EA	
NI	K10911852	SHIM-CENTER HINGE	7	EA	
NI	M0321202	TIE-ELEC		EA	
NI	044316-000	CAM, DOOR CLOSURE, TOP	1	EA	
NI	043246-000	CAM, DOOR CLOSURE, TOP (SEE PC020228)		EA	
72	044316-000	CAM, DOOR CLOSURE, TOP	1	EA	

UNIT TOP





Item	Part No.	Name	Qty	Uom	NOTES
1	043288-000	MOTOR CONTROL BOX	1	EA	Not available online / Call for pricing and availability
2	K20915000	CONTROL BOX TOP	1	EA	
3	044479-000	MOTOR BRACKET PCB	1	EA	
5	PE950121	SWITCH	1	EA	
6	025433-000	BRACKET,SW,POWER	1	EA	
7	016930-000	MOTR CONTROL BOX FRONT	1	EA	
8	044348-000	HINGE, COBRA ASM, 36 BTM, LH UPR	1	EA	
8	044355-000	HINGE, COBRA ASM, 36 BTM, RH UPR	1	EA	
9	062775-000	VEGD 8H COMPRESSOR	1	EA	
10	068353-000	CONDENSER ASM W/COPPER ENDS	1	EA	
11	050903-000	CONDENSER FAN ASM	1	EA	
12	050926-000	INVERTER, CMPR, ASM	1	EA	
13	014369-000	DIVERTER AIR HI SIDE 36	1	EA	
14	014190-000	BRACKET, GRILLE SUPPORT	2	EA	
15	K2096943	PANEL BRACKET	2	EA	
16	031006-000	HEAT EXCHANGER ASM BM 36	1	EA	
17	005319-000	POWER CONTROL BOARD ASM	1	EA	
<p>Comments for Part Num. 005319-000</p> <p>boltz on Apr 12, 2018 See TR-0056-SP Bulletin</p>					
18	043347-000	SUPPLY, PWR, LED	2	EA	
19	057309-000	BOARD, LOW VOLTAGE	1	EA	
<p>Comments for Part Num. 057309-000</p> <p>gboltz@VikingRange.com on Apr 29, 2019 SEE TTR-0010 for installation</p>					
20	PE950149	SWITCH POWER	1	EA	
21	10835901	GROMMET RUBBER V10835901	4	EA	

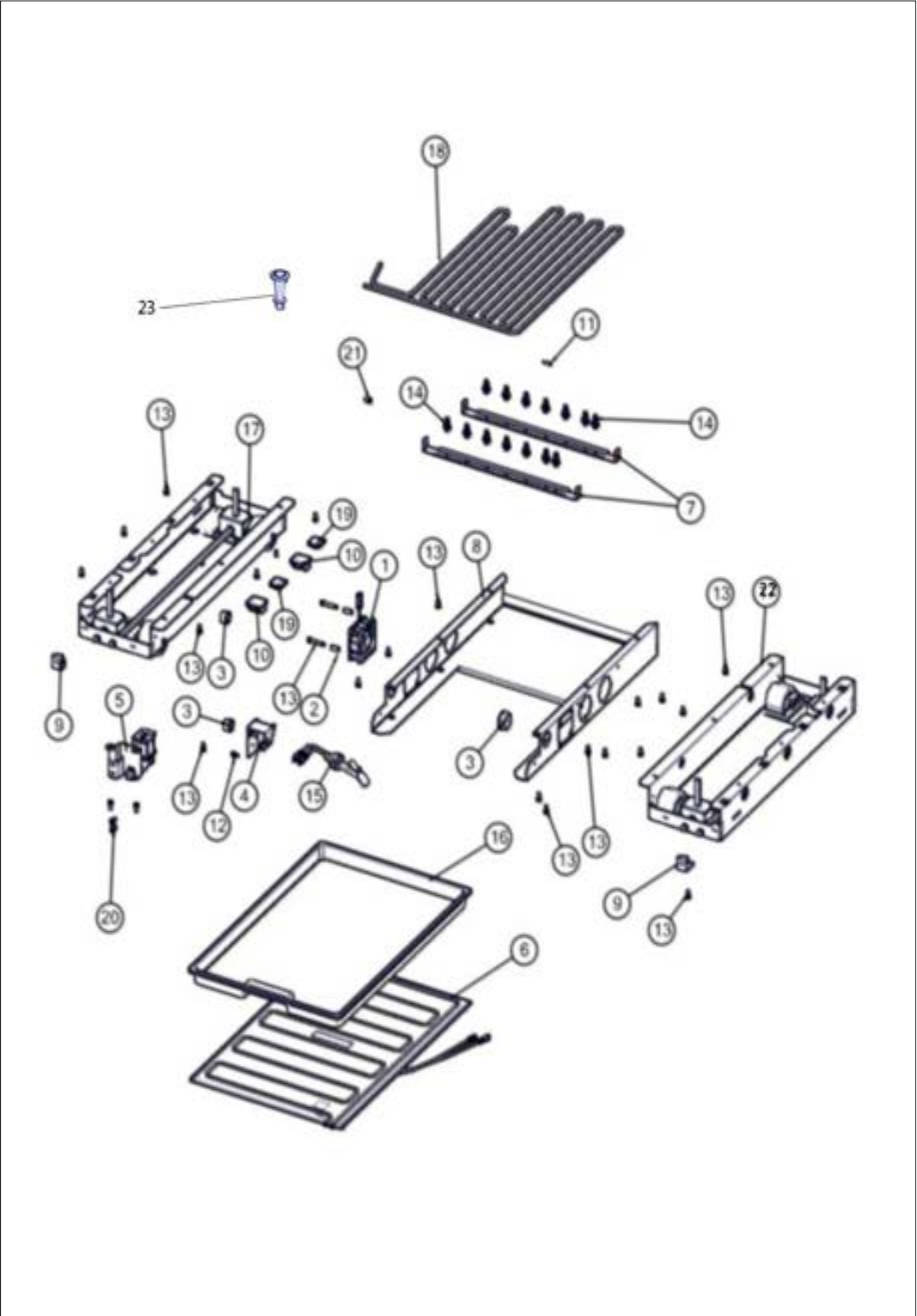


Item	Part No.	Name	Qty	Uom	NOTES
22	M0322202	TIE-WIRE	1	EA	
23	059105-000	CORD, PWR, BM, LEAD TERMINALS	1	EA	
24	M0104102	CLIP-CORD RED	1	EA	
25	M0585504	SUPPORT	10	EA	
26	007979-000	MC COVER ASM BI 36	1	EA	
27	030926-000	DRIER - HIGH SIDE	1	EA	
28	10547001	CLIP-DRIER V10547001	1	EA	
29	003325-000	TUBE DRIER COND	1	EA	
30	F2097740	TUBE PROCESS	1	EA	
31	PD930112	CLAMP-CORD	2	EA	
32	016506-000	PANEL CONTROL BM 36 L	1	EA	
32	016507-000	PANEL CONTROL BM 36 R	1	EA	
33	043376-000	OVERLAY, SW, ASM, BM 36	1	EA	
34	PC020269	DOOR STOP 36 BM	1	EA	
35	036356-000	LABEL, WARRANTY VOID WARNING	2	EA	
36	PD020010	10 X 3/8 GREEN GROUNDING SCREW	1	EA	
37	M0223509	SCREW-LAG	2	EA	
38	M0270510	WASHER #	2	EA	
39	000570-000	FASTENER, BOLT, 1/4-20 IHXWS 1" S ZN SER	4	EA	
40	044371-000	RETAINER DOOR STOP	1	EA	
41	044376-000	SCREW FHP 8-32 X .500 SS BO	4	EA	
42	044375-000	SCR HEX SKET SET .3125-18 CUP	4	EA	
43	M0238859	SCREW-SHLDR	4	EA	
44	005396-000	FILM,PROTECTIVE	1	EA	
45	M0221523	SCREW - SHLDR	4	EA	
46	PD020194	SCR, HEX SRTD WSHR HD, #8- 18 X 1/2	4	EA	
47	A3030361	GASKET RED	1	EA	
48	M0104106	CLIP-CORD VM0104106	1	EA	
49	PD020193	SCR 8-18 X 3/8	2	EA	
50	PD020187	SCR 8-32 MCH HXWS 1/4 S ZN	2	EA	



Item	Part No.	Name	Qty	Uom	NOTES
51	046385-000	CIRCUIT, LED SOFT START	2	EA	
52	046386-000	TRANSFORMER, LED SOFT START	2	EA	
53	A4554817	BUSHING-SNAP VA4554817	2	EA	
54	M0288120	NUT-SPEED VM0288120	1	EA	
55	025257-000	LOCKING,NUT,1/4 - 20	2	EA	
56	048308-000	SCREW, 1/4-20 X 1.25 NBS	2	EA	
57	M0232929	SCREW-SE	2	EA	
58	K20913041	COVER, HEAT, EXCHANGE	1	EA	
59	12115101	CLAMP-TUBE V12115101	1	EA	
NI	049666-000	SCREW, THREAD ROLLING PAN HEAD	2	EA	

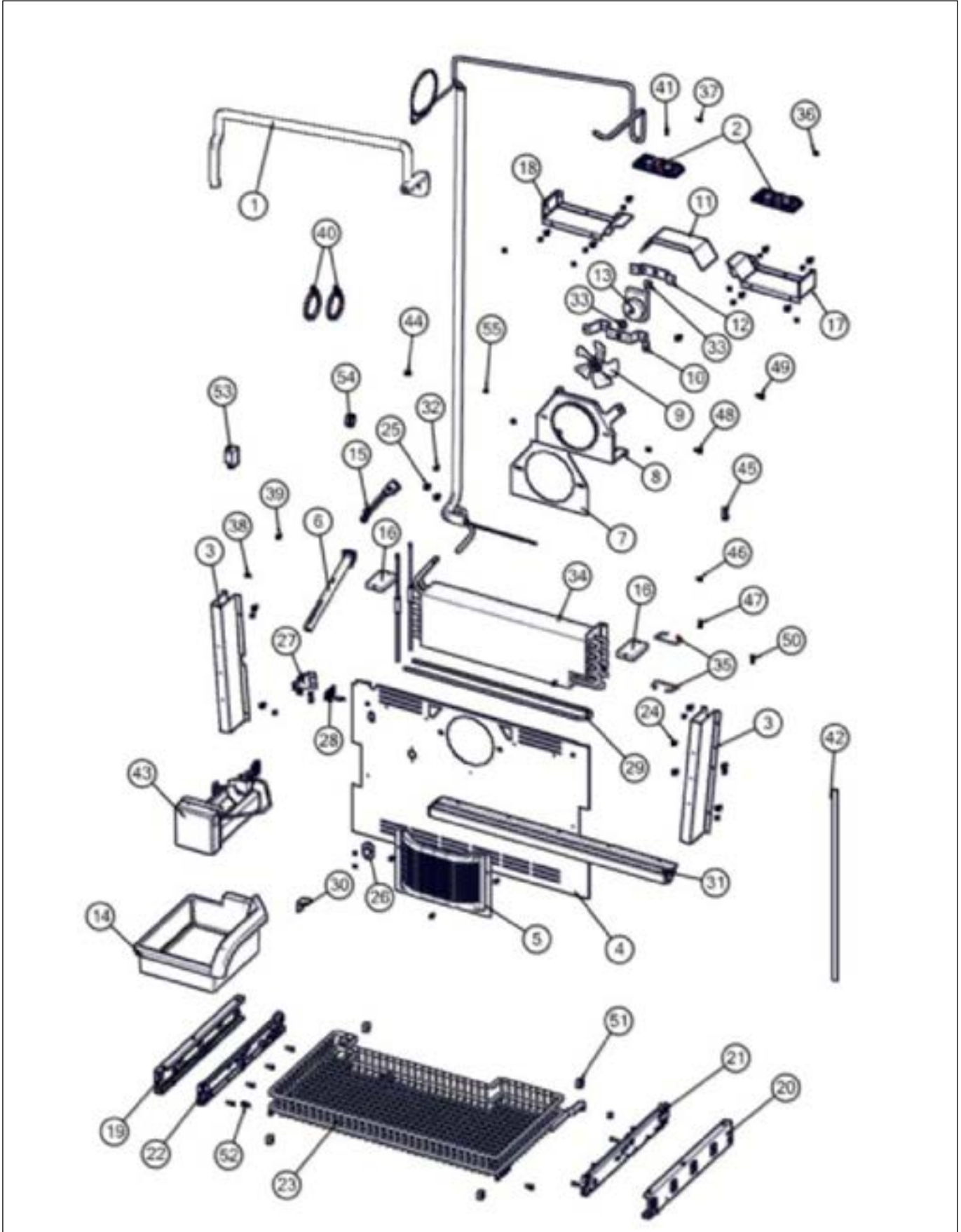
UNIT BOTTOM





Item	Part No.	Name	Qty	Uom	NOTES
1	013112-000	AXIAL FAN	1	EA	
2	011332-000	SPACER,NYL	2	EA	
3	A4554806	BUSHING-SNAP VA4554806	5	EA	
4	B20915627	BRACKET HORIZ FLOAT SWITCH	1	EA	
5	G32913789	BRKT & VALVE H2O SNGL ASM	1	EA	
6	G50914125	PAN HEATER ASM	1	EA	
7	K20911831	BRACKET CONDENSATE SUPPORT	2	EA	
8	K20915952	SHIELD BOTTOM DRAIN	1	EA	
9	K2098044	BRKT GRILLE SUPPORT	2	EA	
10	M0104102	CLIP-CORD RED	2	EA	
11	M0213105	SCREW-SM	1	EA	
12	M0253916	SCR 8-32 SHXW 3/8 TRI-LOBE	1	EA	
13	PD020194	SCR, HEX SRTD WSHR HD, #8-18 X 1/2	91	EA	
14	PD030146	STAND OFF LOCK CLIP	14	EA	
15	PE050248	FLOAT SWITCH HORIZONTAL	1	EA	
16	PK930348	PAN DRAIN	1	EA	
17	060891-000	LEVELER, MODULE, L	1	EA	
18	F20915696	SERPENTINE CONDENSER DRAIN	1	EA	
19	M0104106	CLIP-CORD VM0104106	2	EA	
20	M0220417	SCREW-TC	2	EA	
21	PD020010	10 X 3/8 GREEN GROUNDING SCREW	1	EA	
22	060890-000	LEVELER, MODULE, R	1	EA	
23	PK030540	DRAIN TUBE SXS's & 36BM	1	EA	

FREEZER INTERIOR





Item	Part No.	Name	Qty	Uom	NOTES
1	PB970188	INSULATION TUBING 45.000	1	EA	
2	042766-000	LED LIGHT, 8-POINT	2	EA	
3	052405-000	CHANNEL AIR RETURN	2	EA	
4	000247-000	COVER, EVAP, BM	1	EA	
5	12063301	FREEZER FAN COVER	1	EA	
6	009216-000	FILL TUBE BM	1	EA	
7	12102401	GSKT-EVAP FAN SHRD V12102401	1	EA	
8	PM910168	SHROUD EVAP FAN BM	1	EA	
9	12059901	FAN-EVAP/5.250 V12059901	1	EA	
10	10656101	BRKT-MTR UP STEEL V1065601Q	1	EA	
11	051372-000	CHANNEL, AIR, FZ EVAP FAN	1	EA	
12	L21910017	BRACKET FAN EVAP	1	EA	
13	PE950153	MOTOR EVAP FAN	1	EA	
14	PK930056	PAN ICE	1	EA	
15	058966-000	THERMOSTAT, SNAP ACTION, 55 OPEN 20 CLOSE	1	EA	
16	12067301	BLOCK-L EVAP V12067301	2	EA	
17	051877-000	BRACKET R DIVIDER	1	EA	
18	051876-000	BRKT DIVIDER L	1	EA	
19	PC080025	OUTER MEMBER, SLIDE BM 36 (LH)	1	EA	
Not Shown	NOTE	(BEFORE 04/14/16)		EA	
19	057852-000	OUTER MEMBER, SLIDE BM 36 (LH)	1	EA	
Not Shown	NOTE	(ON OR AFTER 04/14/16)		EA	
20	PC080028	OUTER MEMBER, SLIDE BM 36 (RH)	1	EA	
Not Shown	NOTE	(BEFORE 04/14/16)		EA	
20	057853-000	OUTER MEMBER, SLIDE BM 36 (RH)	1	EA	
Not Shown	NOTE	(ON OR AFTER 04/14/16)		EA	
21	PC080029	MIDDLE MEMBER, SLIDE BM 36 (RH)	1	EA	



Item	Part No.	Name	Qty	Uom	NOTES
Not Shown	NOTE	(BEFORE 04/14/16)		EA	
21	057856-000	MIDDLE MEMBER, SLIDE BM 36 (RH)	1	EA	
Not Shown	NOTE	(ON OR AFTER 04/14/16)		EA	
22	PC080026	MIDDLE MEMBER, SLIDE BM 36 (LH)	1	EA	
Not Shown	NOTE	(BEFORE 04/14/16)		EA	
22	057857-000	MIDDLE MEMBER, SLIDE BM 36 (LH)	1	EA	
Not Shown	NOTE	(ON OR AFTER 04/14/16)		EA	
23	PM010630	TOP BASKET	1	EA	
24	PD020195	SCR 8-18 X 5/8		EA	
25	M0581001	GROMMET-SCREW	1	EA	
26	C8983701	THERMISTOR	1	EA	
27	K2098398	36 BM SWITCH MOUNTING BRKT	1	EA	
28	003471-000	SWITCH SNAP-ACTION BM 36	1	EA	
29	PJ910030	BOTTOM MOUNT EVAP HEATER	1	EA	
30	051816-000	ICE MAKER BRACKET	1	EA	
31	051922-000	DIVERTER, FZ 36 BM ASSY	1	EA	
32	PD020195	SCR 8-18 X 5/8	1	EA	
33	A1017202	GROMMET-FAN VA1017202	2	EA	
34	PM910178	BOTTOM MOUNT EVAP	1	EA	
35	10428101	CLIP-EVAP HTR V10428101	2	EA	
36	PD020193	SCR 8-18 X 3/8	1	EA	
37	PD020010	10 X 3/8 GREEN GROUNDING SCREW	3	EA	
38	M0253916	SCR 8-32 SHXW 3/8 TRI-LOBE	1	EA	
39	M0211018	SCREW-SM	1	EA	
40	M0322202	TIE-WIRE	2	EA	
41	PD020194	SCR, HEX SRTD WSHR HD, #8-18 X 1/2	1	EA	
42	A3189348	GASKET-FOAM VA3189348	1	EA	

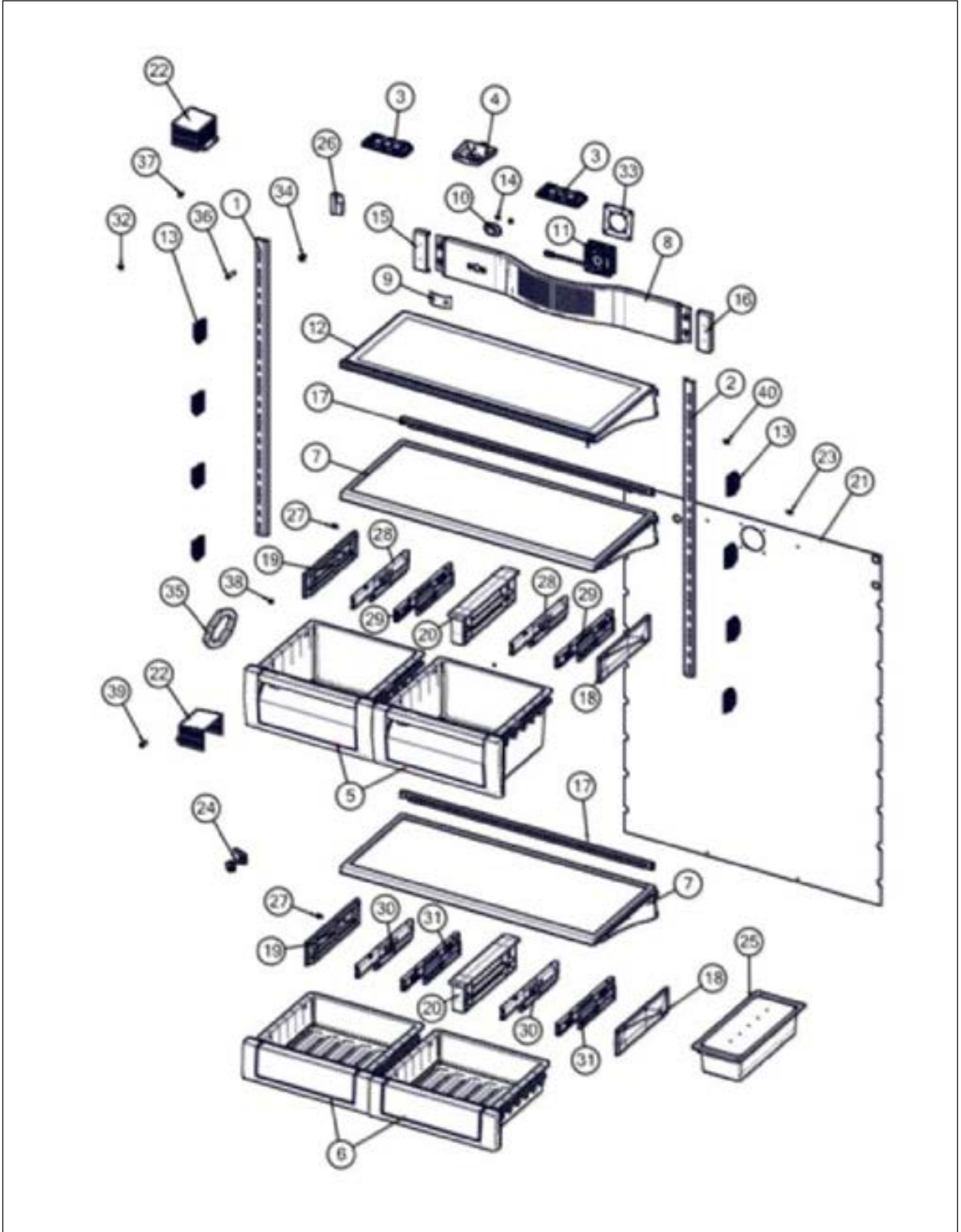


Item	Part No.	Name	Qty	Uom	NOTES
43	G50911850	ICE MAKER ASSY, BM (SEE BULLETIN TR-0023C-SP)	1	EA	
<p>Comments for Part Num. G50911850</p> <p>bradleysapplianceservice@shaw.ca on Jan 7, 2016 ICE MAKER BAIL ARM ACCESSORY KIT NUMBER 002251-000 -BAIL ARM (BOTTOM MOUNT) -BAIL ARM (DISPENSER AND NON-DISPENSER SIDE BY SIDE, ALL FREEZER) -ICE MAKER SHUTOFF WIRE</p> <p>ICE MAKER KIT NUMBER 002252-000 -ICE MAKER -ICE MAKER COVER -ICE MAKER LABEL -FILL CUP CLIP</p> <p>ICE MAKER WIRE HARNESS KIT NUMBER 002253-000 -ICE MAKER HARNESS -WIRE CLAMP</p> <p>REF: TECHNICAL BULLITEN: TR-0023C-SP</p>					
44	PD020270	CAP, SCREW	1	EA	
45	10526701	CLAMP-WIRE V10526701	1	EA	
46	PD020194	SCR, HEX SRTD WSHR HD, #8-18 X 1/2	1	EA	
47	M0238859	SCREW-SHLDR	1	EA	
48	M0581001	GROMMET-SCREW	1	EA	
49	PD020189	SHSCR 12/28 AB SKT .641	1	EA	
50	043902-000	10-32 X 3/4 TRILOBE (T20) FLAT HEAD	1	EA	
51	12088001	ROLLER-UP BSKT V12088001	4	EA	
52	PD020189	SHSCR 12/28 AB SKT .641	1	EA	
53	12106101	COVER-WIRING V12106101	1	EA	
54	A4554818	BUSHING-SNAP VA4554818	1	EA	
55	M0223729	SCREW-SM		EA	
56	PB970187	INSULATION TUBING 57.500 WC, 5 SERIES	1	EA	
57	031006-000	HEAT EXCHANGER ASM BM 36		EA	



Item	Part No.	Name	Qty	Uom	NOTES
NI	10250003	COVER-WIRING	1	EA	
NI	M0321202	TIE-ELEC	1	EA	

FRESH FOOD INTERIOR



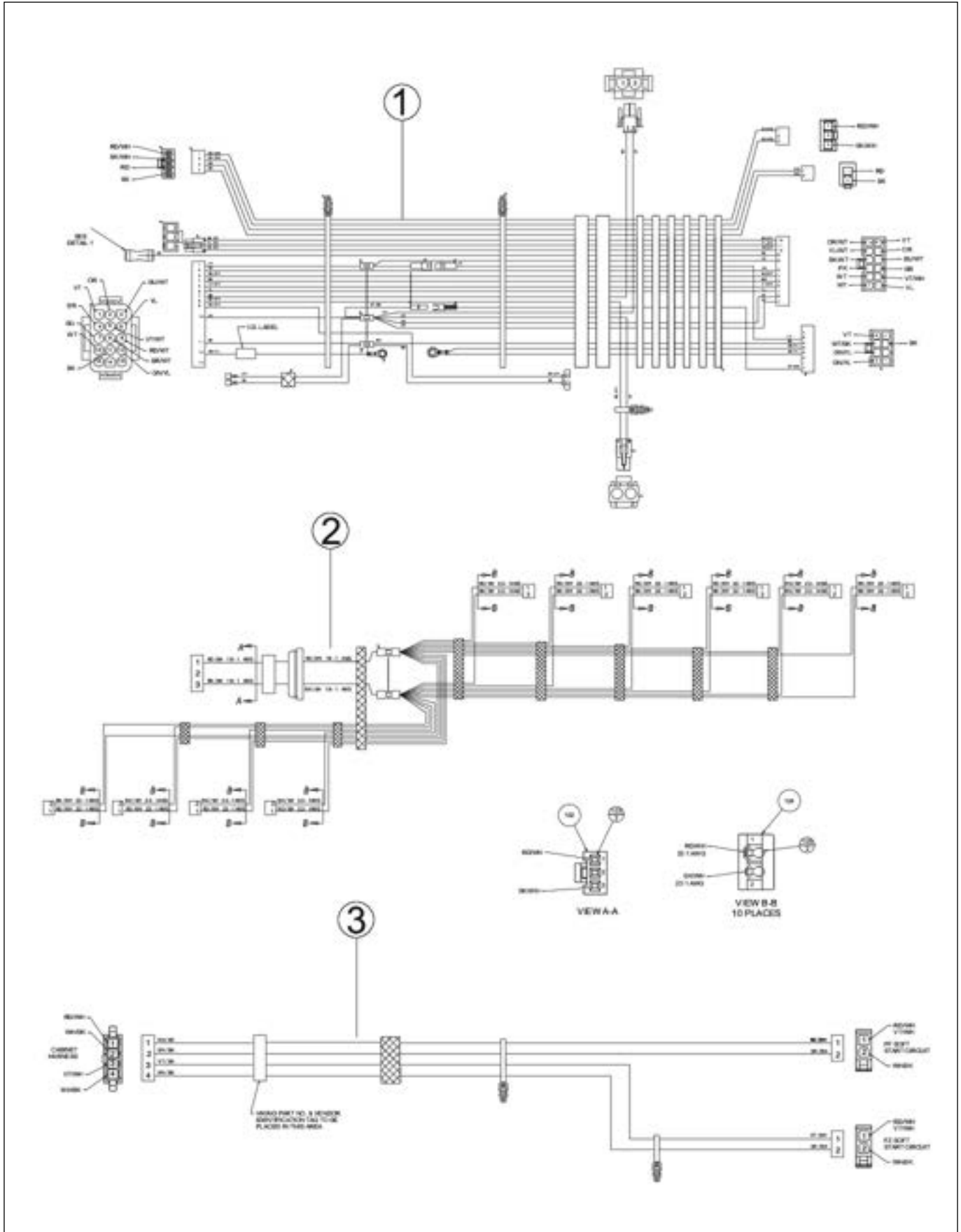


Item	Part No.	Name	Qty	Uom	NOTES
1	071767-006	LADDER, SIDE, BTM, 36, LH	1	EA	
2	071768-006	LADDER, SIDE, BTM, 36, RH	1	EA	
3	042766-000	LED LIGHT, 8-POINT	2	EA	
4	043844-000	HOUSING, PCI, BM	1	EA	
5	012396-000	DRAWER,PRODUCE,ASM 36 AR/BM	2	EA	
6	G50912334	DRAWER DELI ASM AR 36	2	EA	
7	043203-000	SHELF ASM GLASS AR/BM 36	2	EA	
8	050932-000	COVER, REF FAN	1	EA	
9	050844-000	COVER, THERMISTOR, FF	1	EA	
10	C8983701	THERMISTOR	1	EA	
11	051008-000	FAN,AXIAL,80X80X25MM 24 VDC	1	EA	
12	042673-000	SHELF, GL, 36" NANO SHELF ASSY	1	EA	
13	042764-000	LED LIGHT, 3-POINT	8	EA	
14	M0224128	SCR 8-18 B TRP 5/16 S	1	EA	
15	12070202	CAP-L FAN COVER V12070202	1	EA	
16	12070201	CAP-R FAN COVER V12070201	1	EA	
17	042932-000	CRISPER RAIL	2	EA	
18	044214-000	SUPPORT SLIDE R (See PK930290)	2	EA	
19	044219-000	SUPPORT SLIDE L (See PK930291)	2	EA	
20	PK030439	GLIDE CENTER SUPPORT AR 36	2	EA	
21	051369-000	COVER, SUMP, 36 BM	1	EA	
22	050262-000	COVER, DUCT 36 BM FF	2	EA	
23	PD020010	10 X 3/8 GREEN GROUNDING SCREW	1	EA	
24	PM910334	ROLLER TENSION	1	EA	
25	019244-000	ACCESSORY, ASM	1	EA	
26	010093-000	PLASMA CLUSTER	1	EA	
27	PD920161	SCR 8-16 PLASTITE PNP 3/8 S	56	EA	
28	046255-000	SLIDE, DWR, SOFT CLOSE - LH	2	EA	
29	046235-000	SLIDE, DWR, SOFT CLOSE - RH	2	EA	



Item	Part No.	Name	Qty	Uom	NOTES
30	046255-000	SLIDE, DWR, SOFT CLOSE - LH	2	EA	
31	046235-000	SLIDE, DWR, SOFT CLOSE - RH	2	EA	
32	PD020032	SRW-8(A)X3/8"PH.WFR HD 7/16DIA*NICL	1	EA	
33	007302-000	BRACKET,FAN	1	EA	
34	M0581001	GROMMET-SCREW	1	EA	
35	A3189337	GASKET-FOAM	1	EA	
36	M0238535	SCREW-SM	1	EA	
37	PD020195	SCR 8-18 X 5/8	1	EA	
38	PD920162	SCR 8-16 PLASTITE PNP 1/4 S	6	EA	
39	M0211021	SCREW-SM	1	EA	
40	PD020194	SCR, HEX SRTD WSHR HD, #8- 18 X 1/2	1	EA	
NI	12404901	GASKET-THERM V12404901	1	EA	

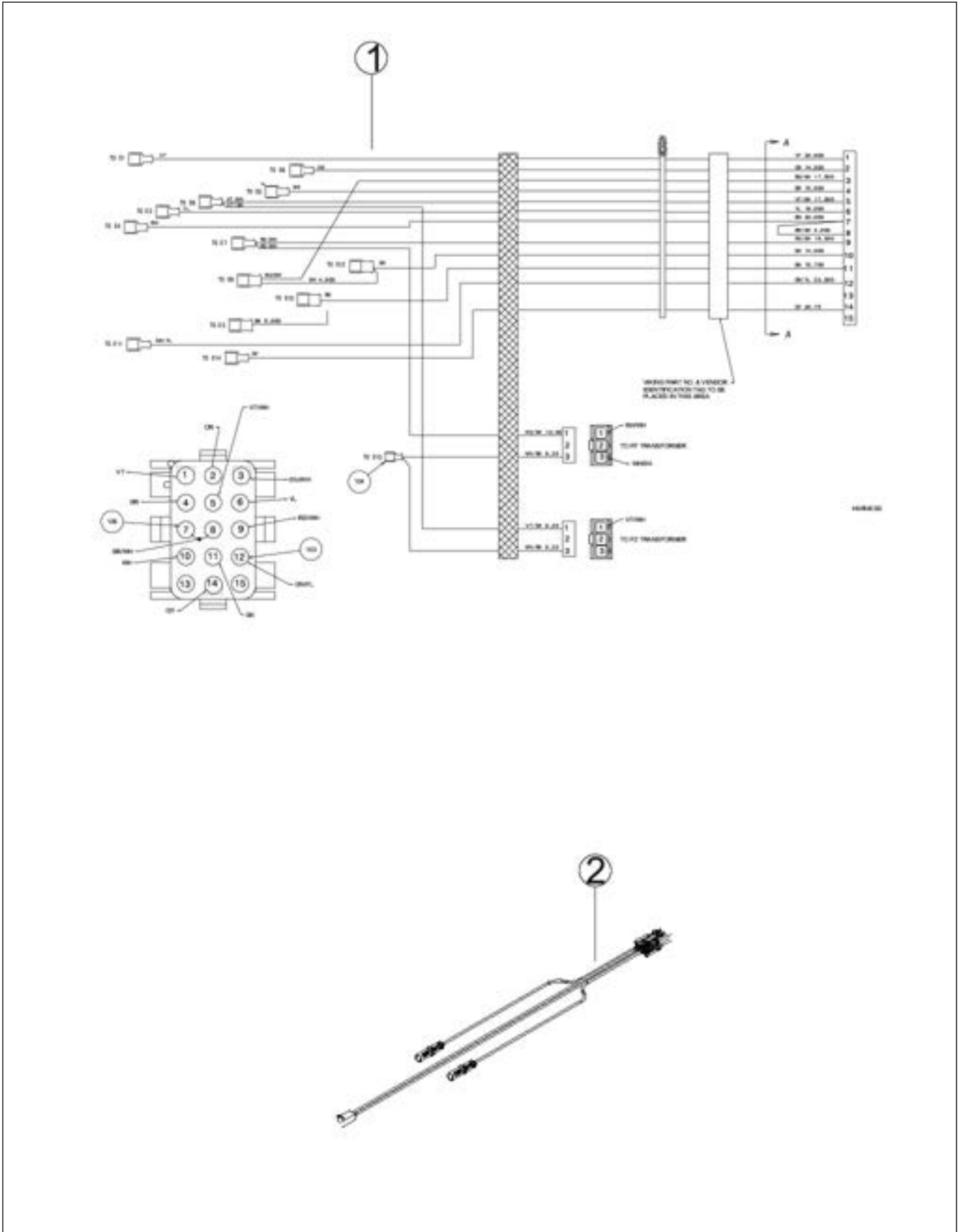
ELECTRICAL - 1





Item	Part No.	Name	Qty	Uom	NOTES
1	043792-000	HARNESS, MC BM	1	EA	
2	046484-000	HARNESS, FF, LED LIGHT BM	1	EA	
3	048680-000	HARNESS, POWER SUPPLY, LED, BM/SXS	1	EA	

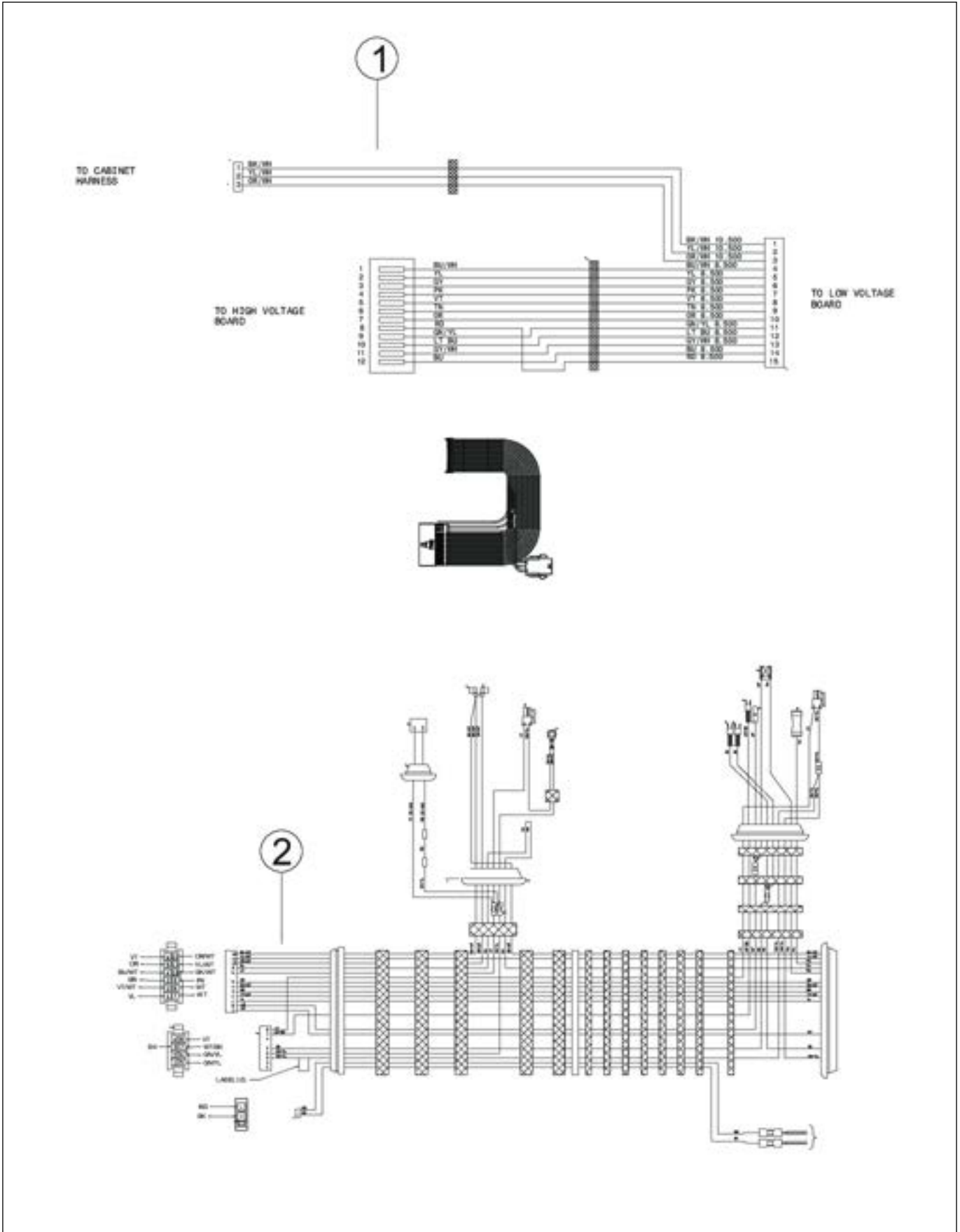
ELECTRICAL - 2





Item	Part No.	Name	Qty	Uom	NOTES
1	048643-000	HARNESS, HIGH VOLTAGE	1	EA	
2	PE970609	HARNESS CONTROL BOARD	1	EA	

ELECTRICAL - 3





Item	Part No.	Name	Qty	Uom	NOTES
1	PE970464	HARNESS LOW VOLT	1	EA	
2	043229-000	HARNESS, FZ, CABINET BM	1	EA	



Appendix A:Pages Index

ELECTRICAL - 1 7
ELECTRICAL - 2 8
ELECTRICAL - 3 9
FREEZER INTERIOR 5
FRESH FOOD INTERIOR 6
UNIT BOTTOM 1, 4
UNIT TOP 3
Unit Front and Sides RH 2



Appendix B:Parts Index

000247-000	5	033707-000	2
000570-000	3	033729-000	2
001091-000	2	035647-000	2
001275-000	2	036356-000	3
001617-000	2, 2	036882-000	2
003004-000	2	036884-000	2
003325-000	3	042414-000	2
003471-000	5	042448-000	2
003995-000	2	042673-000	6
005319-000	3	042764-000	6
005396-000	3	042766-000	5, 6
005449-000	2	042932-000	6
005450-000	2	043203-000	6
007302-000	6	043229-000	9
007979-000	3	043246-000	2
009216-000	5	043288-000	3
010093-000	6	043347-000	3
010839-000	2	043376-000	3
010944-000	2	043792-000	7
011101-000	2	043844-000	6
011332-000	1, 4	043902-000	2, 2, 5
012396-000	6	044137-000	2
013112-000	1, 4	044139-000	2
014190-000	3	044214-000	6
014369-000	3	044219-000	6
014580-000	2	044316-000	2, 2, 2
016189-000	2	044345-000	2
016190-000	2	044346-000	2
016205-000	2	044348-000	3
016506-000	3	044355-000	3
016507-000	3	044356-000	2
016930-000	3	044357-000	2
019244-000	6	044367-000	2
023005-000	2	044368-000	2
025257-000	3	044371-000	3
025433-000	3	044375-000	3
026965-000	2, 2	044376-000	3
030894-000	2	044479-000	3
030926-000	3	044859-000	2
031006-000	3, 5	046135-002	2
		046135-005	2



046135-006	2	052278-000	2
046135-008	2	052297-000	2
046135-013	2	052298-000	2
046135-024	2	052405-000	5
046135-2801	2	052406-000	2
046135-2847	2	052435-000	2
046135-6180	2	052436-000	2
046135-6258	2	056845-000	2
046135-6421	2	056846-000	2
046135-6765	2	056847-000	2
046135-6797	2	057309-000	3
046135-6871	2	057852-000	5
046135-7024	2	057853-000	5
046135-7070	2	057854-000	2
046135-7585	2	057855-000	2
046135-7652	2	057856-000	5
046135-7674	2	057857-000	5
046135-9178	2	058966-000	5
046235-000	6, 6	059105-000	3
046255-000	6, 6	060890-000	1, 4
046385-000	3	060891-000	1, 4
046386-000	3	062341-000	2
046484-000	7	062775-000	3
048308-000	3	067813-000	2
048643-000	8	067869-002	2
048680-000	7	067869-005	2
049666-000	3	067869-006	2
050262-000	6	067869-008	2
050844-000	6	067869-013	2
050903-000	3	067869-024	2
050926-000	3	067869-2801	2
050932-000	6	067869-2847	2
051008-000	6	067869-6180	2
051369-000	6	067869-6258	2
051372-000	5	067869-6421	2
051816-000	5	067869-6765	2
051876-000	5	067869-6797	2
051877-000	5	067869-6871	2
051922-000	5	067869-7024	2
052243-000	2	067869-7070	2
052246-000	2	067869-7585	2



067869-7652	2	K20915000	3
067869-7674	2	K20915952	1, 4
067869-9178	2	K2096943	3
068353-000	3	K2098044	1, 4
071767-006	6	K2098398	5
071768-006	6	K2099470	2
10250003	5	L21910017	5
10428101	5	M0104102	1, 3, 4
10526701	5	M0104106	1, 3, 4
10547001	3	M0210458	2, 2
10656101	5	M0211018	5
10835901	3	M0211021	6
12059901	5	M0213105	1, 4
12063301	5	M0220417	1, 4
12067301	5	M0221523	3
12070201	6	M0223509	3
12070202	6	M0223729	5
12088001	5	M0224128	2, 6
12102401	5	M0232929	3
12106101	5	M0238535	6
12115101	3	M0238859	3, 5
12404901	6	M0253916	1, 2, 4, 5
40370P01	2	M0270510	3
A1017202	5	M0274067	2
A3030361	3	M0288120	3
A3189337	6	M0321202	2, 5
A3189348	5	M0322202	3, 5
A4554806	1, 4	M0581001	5, 5, 6
A4554817	3	M0585504	3
A4554818	5	PB970187	5
B20915627	1, 4	PB970188	5
C8983701	5, 6	PC020269	3
F20915696	1, 4	PC080025	5
F2097740	3	PC080026	5
G32913789	1, 4	PC080027	2
G50911850	5	PC080028	5
G50912334	6	PC080029	5
G50914125	1, 4	PC080030	2
K10911852	2	PD020010	1, 3, 4, 5, 6
K20911831	1, 4	PD020032	2, 2, 6
K20913041	3	PD020068	2



PD020187 2, 2, 3
PD020189 5, 5
PD020193 3, 5
PD020194 1, 2, 3, 4, 5, 5, 6
PD020195 5, 5, 6
PD020270 5
PD030006 2
PD030146 1, 4
PD040162 2
PD920161 6
PD920162 6
PD920174 2
PD930112 3
PE050248 1, 4
PE950121 3
PE950149 3
PE950153 5
PE970464 9
PE970609 8
PF930523 2
PJ910030 5
PK030439 6
PK030540 1, 4
PK050004 2
PK910123 2
PK930005 2
PK930056 5
PK930348 1, 4
PM010622 2
PM010630 5
PM910168 5
PM910172 2
PM910178 5
PM910334 6
V12097404 2