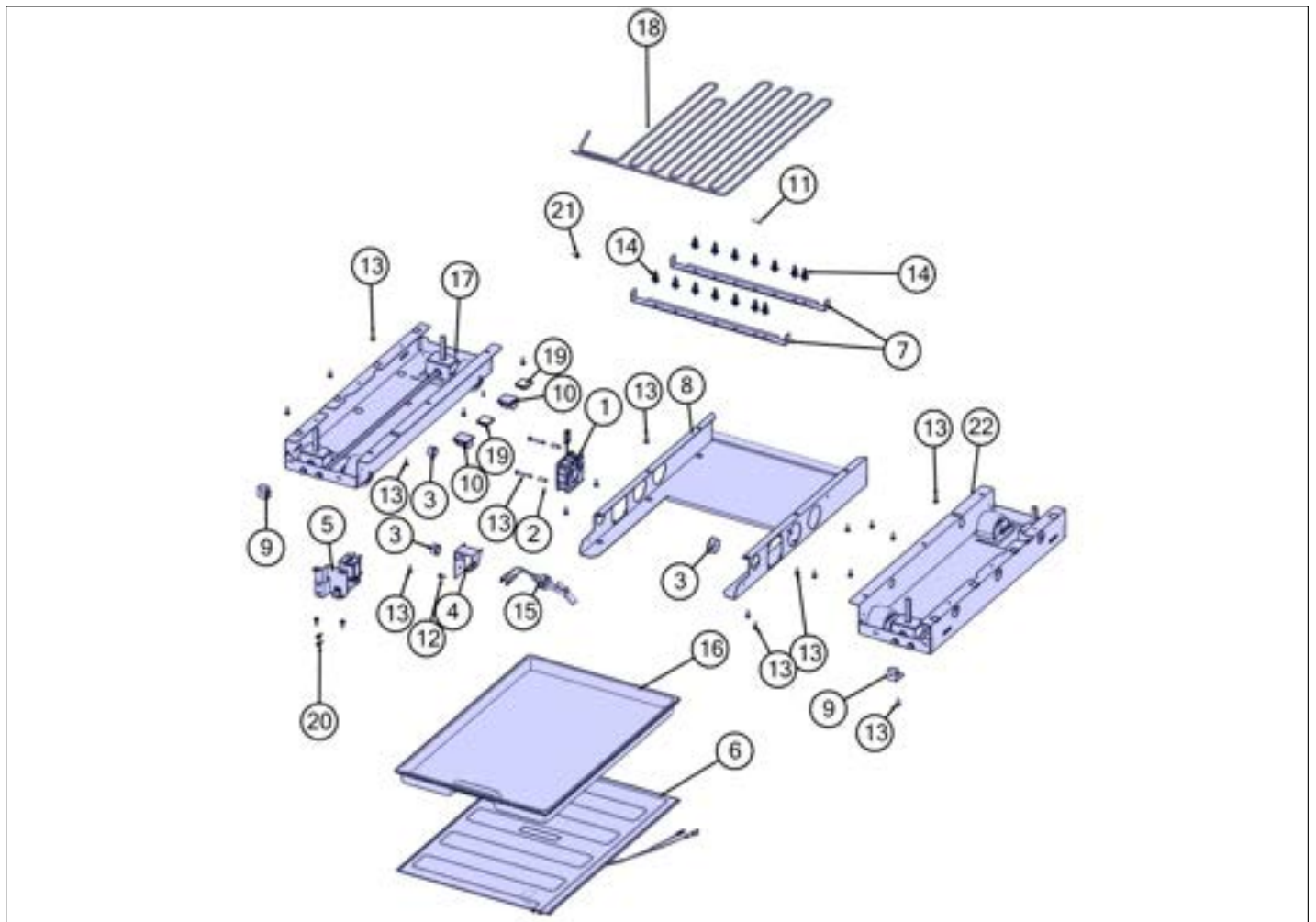


VCBB5363ERS12

Bottom View	1
FF Interior View	2
FZ Interior View	3
Top View	4
Control View	5
Unit Sides and Front View	6
ELECTRICAL - 1	7
ELECTRICAL - 2	8
ELECTRICAL - 3	9
Appendix A:Pages Index	A
Appendix B:Parts Index	B

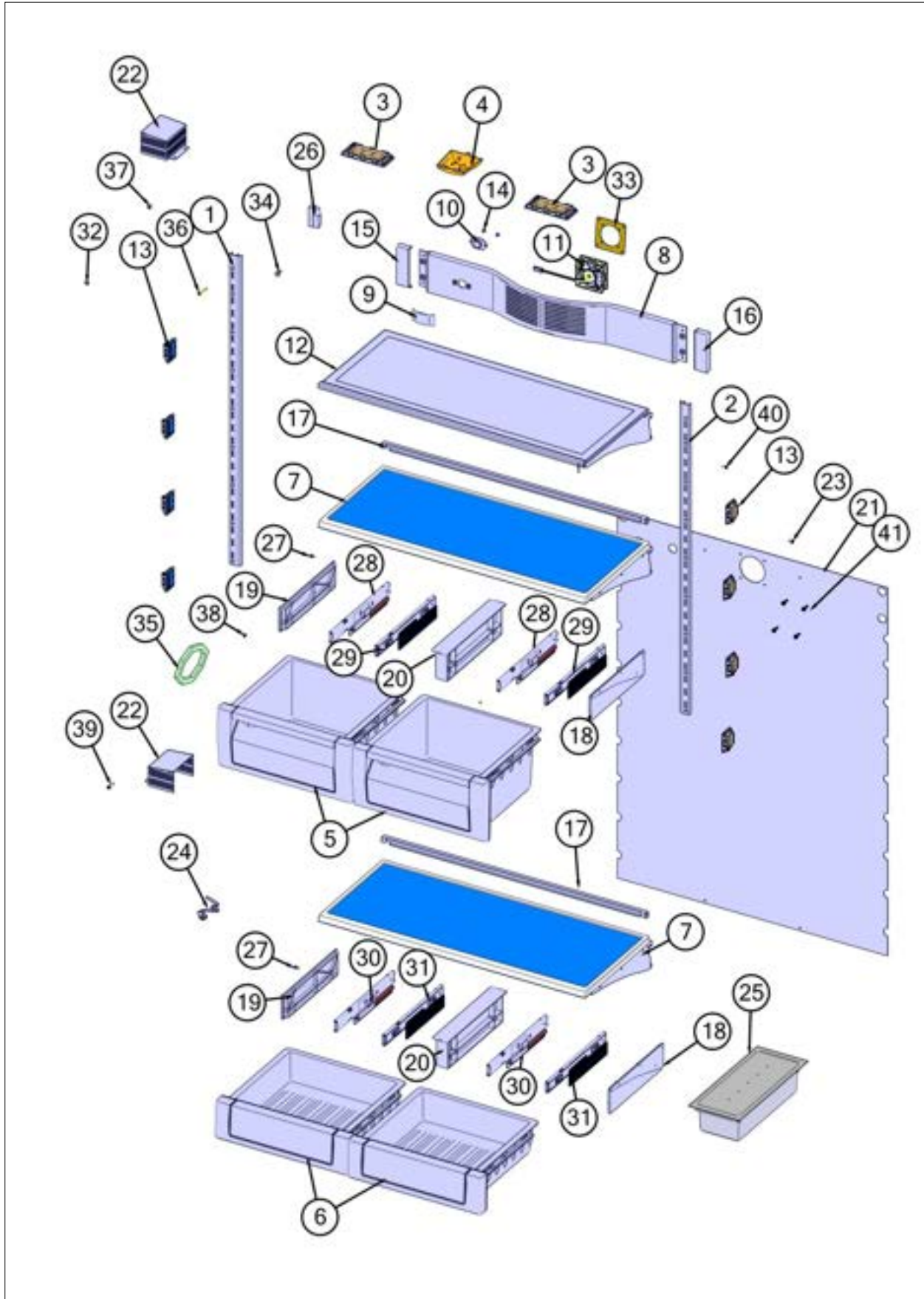
Bottom View





Item	Part No.	Name	Qty	Uom	NOTES
1	013112-000	AXIAL FAN	1	EA	
2	011332-000	SPACER,NYL	2	EA	
3	A4554806	BUSHING-SNAP VA4554806	5	EA	
4	B20915627	BRACKET HORIZ FLOAT SWITCH	1	EA	
5	PA970012	SINGLE WATER VALVE	1	EA	
6	071583-000	HEATER, PAN ASSY	1	EA	
7	K20911831	BRACKET CONDENSATE SUPPORT	2	EA	
8	K20915952	SHIELD BOTTOM DRAIN	1	EA	
9	K2098044	BRKT GRILLE SUPPORT	2	EA	
10	M0104102	CLIP-CORD RED	2	EA	
11	M0213105	SCREW-SM	1	EA	
12	M0253916	SCR 8-32 SHXW 3/8 TRI-LOBE	1	EA	
13	PD020194	SCR, HEX SRTD WSHR HD, #8-18 X 1/2	91	EA	
14	PD030146	STAND OFF LOCK CLIP	14	EA	
15	PE050248	FLOAT SWITCH HORIZONTAL	1	EA	
16	PK930348	PAN DRAIN	1	EA	
17	060891-000	LEVELER, MODULE, L	1	EA	
18	F20915696	SERPENTINE CONDENSER DRAIN	1	EA	
19	M0104106	CLIP-CORD VM0104106	2	EA	
20	M0220417	SCREW-TC	2	EA	
21	PD020010	10 X 3/8 GREEN GROUNDING SCREW	1	EA	
22	060890-000	LEVELER, MODULE, R	1	EA	
NI	PK030540	DRAIN TUBE SXS's & 36BM	1	EA	

FF Interior View



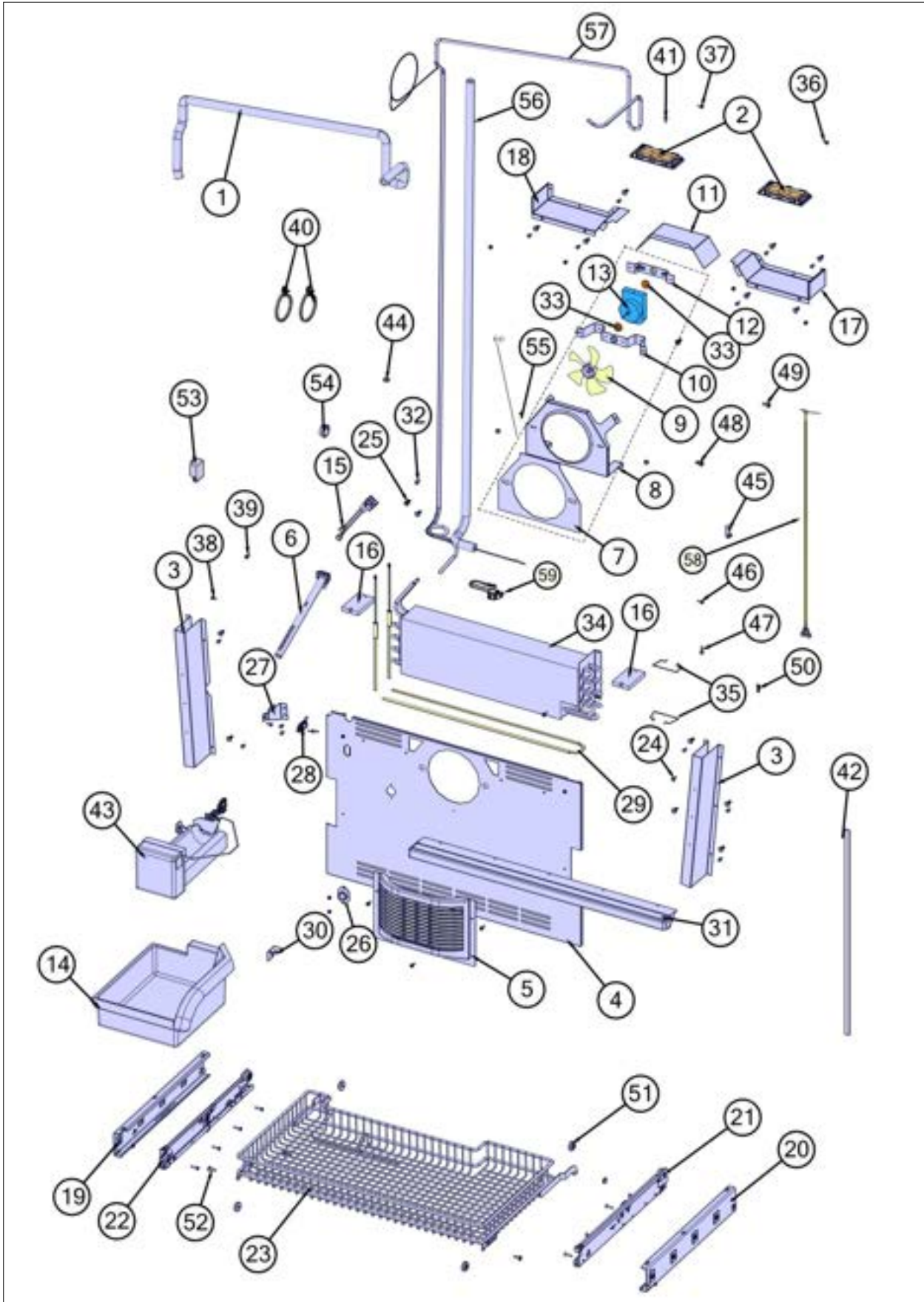


Item	Part No.	Name	Qty	Uom	NOTES
1	050241-000	LADDER SIDE BTM 36 LH	1	EA	
2	050242-000	LADDER SIDE BTM 36 RH	1	EA	
3	042766-000	LED LIGHT, 8-POINT	2	EA	
4	043844-000	HOUSING, PCI, BM	1	EA	
5	012396-000	DRAWER,PRODUCE,ASM 36 AR/BM	2	EA	
6	G50912334	DRAWER DELI ASM AR 36	2	EA	
7	043203-000	SHELF ASM GLASS AR/BM 36	2	EA	
8	050932-000	COVER, REF FAN	1	EA	
9	050844-000	COVER, THERMISTOR, FF	1	EA	
10	C8983701	THERMISTOR	1	EA	
11	071038-000	AXIAL FAN, PAN, DRAIN	1	EA	
12	042673-000	SHELF, GL, 36" NANO SHELF ASSY	1	EA	
13	042764-000	LED LIGHT, 3-POINT	8	EA	
14	M0224128	SCR 8-18 B TRP 5/16 S		EA	
15	12070202	CAP-L FAN COVER V12070202	1	EA	
16	12070201	CAP-R FAN COVER V12070201	1	EA	
17	042932-000	CRISPER RAIL	2	EA	
18	044214-000	SUPPORT SLIDE R (See PK930290)	2	EA	
19	044219-000	SUPPORT SLIDE L (See PK930291)	2	EA	
20	PK030439	GLIDE CENTER SUPPORT AR 36	2	EA	
21	051369-000	COVER, SUMP, 36 BM	1	EA	
22	050262-000	COVER, DUCT 36 BM FF	2	EA	
23	PD020010	10 X 3/8 GREEN GROUNDING SCREW		EA	
24	PM910334	ROLLER TENSION	1	EA	
25	019244-000	ACCESSORY, ASM	1	EA	
26	010093-000	PLASMA CLUSTER	1	EA	
27	PD920161	SCR 8-16 PLASTITE PNP 3/8 S		EA	
28	046255-000	SLIDE, DWR, SOFT CLOSE - LH	2	EA	
29	046235-000	SLIDE, DWR, SOFT CLOSE - RH	2	EA	
30	046255-000	SLIDE, DWR, SOFT CLOSE - LH	2	EA	



Item	Part No.	Name	Qty	Uom	NOTES
31	046235-000	SLIDE, DWR, SOFT CLOSE - RH	2	EA	
32	PD020032	SRW-8(A)X3/8"PH.WFR HD 7/16DIA*NICL	1	EA	
33	024373-000	GASKET, FAN, MT, 80MM	1	EA	
34	M0581001	GROMMET-SCREW	1	EA	
35	A3189337	GASKET-FOAM	1	EA	
36	M0238535	SCREW-SM		EA	
37	PD020195	SCR 8-18 X 5/8		EA	
38	PD920162	SCR 8-16 PLASTITE PNP 1/4 S		EA	
39	M0211021	SCREW-SM		EA	
40	PD020194	SCR, HEX SRTD WSHR HD, #8- 18 X 1/2		EA	
41	007301-000	GROMMET,RUBBER	4	EA	
NI	12404901	GASKET-THERM V12404901	1	EA	

FZ Interior View





Item	Part No.	Name	Qty	Uom	NOTES
1	PB970188	INSULATION TUBING 45.000	1	EA	
2	042766-000	LED LIGHT, 8-POINT	2	EA	
3	052405-000	CHANNEL AIR RETURN	2	EA	
4	000247-000	COVER, EVAP, BM	1	EA	
5	12063301	FREEZER FAN COVER	1	EA	
6	009216-000	FILL TUBE BM	1	EA	
7	12102401	GSKT-EVAP FAN SHRD V12102401	1	EA	
8	PM910168	SHROUD EVAP FAN BM	1	EA	
9	12059901	FAN-EVAP/5.250 V12059901	1	EA	
10	10656101	BRKT-MTR UP STEEL V1065601Q	1	EA	
11	051372-000	CHANNEL, AIR, FZ EVAP FAN	1	EA	
12	L21910017	BRACKET FAN EVAP	1	EA	
13	076520-000	FAN, MOTOR, CCW, 12 VDC- FDQB28VK4	1	EA	
14	PK930056	PAN ICE	1	EA	
15	058966-000	THERMOSTAT, SNAP ACTION, 55 OPEN 20 CLOSE	1	EA	
16	12067301	BLOCK-L EVAP V12067301	2	EA	
17	051877-000	BRACKET R DIVIDER	1	EA	
18	051876-000	BRKT DIVIDER L	1	EA	
19	PC080025	OUTER MEMBER, SLIDE BM 36 (LH)	1	EA	
Not Shown	NOTE	(BEFORE 04/14/16)		EA	
19	057852-000	OUTER MEMBER, SLIDE BM 36 (LH)	1	EA	
Not Shown	NOTE	(ON OR AFTER 04/14/16)		EA	
20	PC080028	OUTER MEMBER, SLIDE BM 36 (RH)	1	EA	
Not Shown	NOTE	(BEFORE 04/14/16)		EA	
20	057853-000	OUTER MEMBER, SLIDE BM 36 (RH)	1	EA	
Not Shown	NOTE	(ON OR AFTER 04/14/16)		EA	



Item	Part No.	Name	Qty	Uom	NOTES
21	PC080029	MIDDLE MEMBER, SLIDE BM 36 (RH)	1	EA	
Not Shown	NOTE	(BEFORE 04/14/16)		EA	
21	057856-000	MIDDLE MEMBER, SLIDE BM 36 (RH)	1	EA	
Not Shown	NOTE	(ON OR AFTER 04/14/16)		EA	
22	PC080026	MIDDLE MEMBER, SLIDE BM 36 (LH)	1	EA	
Not Shown	NOTE	(BEFORE 04/14/16)		EA	
22	057857-000	MIDDLE MEMBER, SLIDE BM 36 (LH)	1	EA	
Not Shown	NOTE	(ON OR AFTER 04/14/16)		EA	
23	PM010630	TOP BASKET	1	EA	
24	PD020195	SCR 8-18 X 5/8		EA	
25	M0581001	GROMMET-SCREW	1	EA	
26	C8983701	THERMISTOR	1	EA	
27	K2098398	36 BM SWITCH MOUNTING BRKT	1	EA	
28	003471-000	SWITCH SNAP-ACTION BM 36	1	EA	
29	PJ910030	BOTTOM MOUNT EVAP HEATER	1	EA	
30	051816-000	ICE MAKER BRACKET	1	EA	
31	051922-000	DIVERTER, FZ 36 BM ASSY	1	EA	
32	PD020195	SCR 8-18 X 5/8	1	EA	
33	A1017202	GROMMET-FAN VA1017202	2	EA	
34	PM910178	BOTTOM MOUNT EVAP	1	EA	
35	10428101	CLIP-EVAP HTR V10428101	2	EA	
36	PD020193	SCR 8-18 X 3/8	1	EA	
37	PD020010	10 X 3/8 GREEN GROUNDING SCREW	3	EA	
38	M0253916	SCR 8-32 SHXW 3/8 TRI-LOBE	1	EA	
39	M0211018	SCREW-SM	1	EA	
40	M0322202	TIE-WIRE	2	EA	
41	PD020194	SCR, HEX SRTD WSHR HD, #8-18 X 1/2	1	EA	

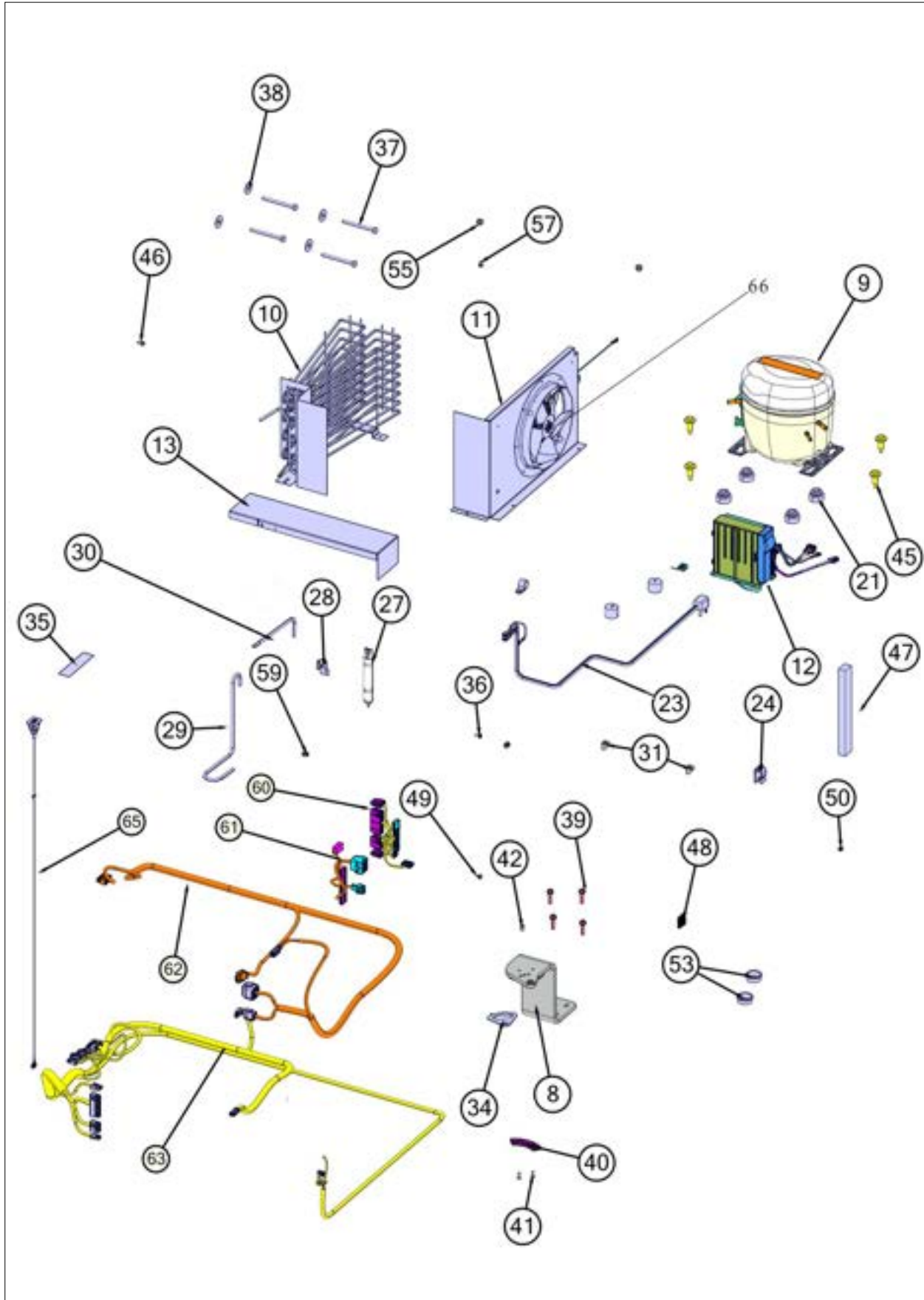


Item	Part No.	Name	Qty	Uom	NOTES
42	A3189348	GASKET-FOAM VA3189348	1	EA	
43	G50911850	ICE MAKER ASSY, BM (SEE BULLETIN TR-0023C-SP)	1	EA	
<p>Comments for Part Num. G50911850</p> <p>bradleysapplianceservice@shaw.ca on Jan 7, 2016</p> <p>ICE MAKER BAIL ARM ACCESSORY KIT NUMBER 002251-000</p> <p>-BAIL ARM (BOTTOM MOUNT)</p> <p>-BAIL ARM (DISPENSER AND NON-DISPENSER SIDE BY SIDE, ALL FREEZER)</p> <p>-ICE MAKER SHUTOFF WIRE</p> <p>ICE MAKER KIT NUMBER 002252-000</p> <p>-ICE MAKER</p> <p>-ICE MAKER COVER</p> <p>-ICE MAKER LABEL</p> <p>-FILL CUP CLIP</p> <p>ICE MAKER WIRE HARNESS KIT NUMBER 002253-000</p> <p>-ICE MAKER HARNESS</p> <p>-WIRE CLAMP</p> <p>REF: TECHNICAL BULLITEN: TR-0023C-SP</p>					
44	PD020270	CAP, SCREW	1	EA	
45	10526701	CLAMP-WIRE V10526701	1	EA	
46	PD020194	SCR, HEX SRTD WSHR HD, #8-18 X 1/2	1	EA	
47	M0238859	SCREW-SHLDR	1	EA	
48	M0581001	GROMMET-SCREW	1	EA	
49	PD020189	SHSCR 12/28 AB SKT .641	1	EA	
50	043902-000	10-32 X 3/4 TRILOBE (T20) FLAT HEAD	1	EA	
51	12088001	ROLLER-UP BSKT V12088001	4	EA	
52	PD020189	SHSCR 12/28 AB SKT .641	1	EA	
53	12106101	COVER-WIRING V12106101	1	EA	
54	A4554818	BUSHING-SNAP VA4554818	1	EA	
55	M0223729	SCREW-SM		EA	
56	PB970187	INSULATION TUBING 57.500 WC, 5 SERIES	1	EA	



Item	Part No.	Name	Qty	Uom	NOTES
57	031006-000	HEAT EXCHANGER ASM BM 36		EA	
NI	10250003	COVER-WIRING	1	EA	
NI	M0321202	TIE-ELEC	1	EA	
58	058535-000	EVAP, THERMISTOR, 7 SERIES	1	EA	
Comments for Part Num. 058535-000					
gboltz@VikingRange.com on Jun 10, 2019					
Order 066362-000 foil tape with thermistor for isolating dis-similar metals.					
59	059650-000	THERMOSTAT, SNAP ACTION, 75 OPEN, 45 CLOSE	1	EA	
60	077049-000	ASM, EVAP, FAN BM 5 SERIES	1	EA	

Top View



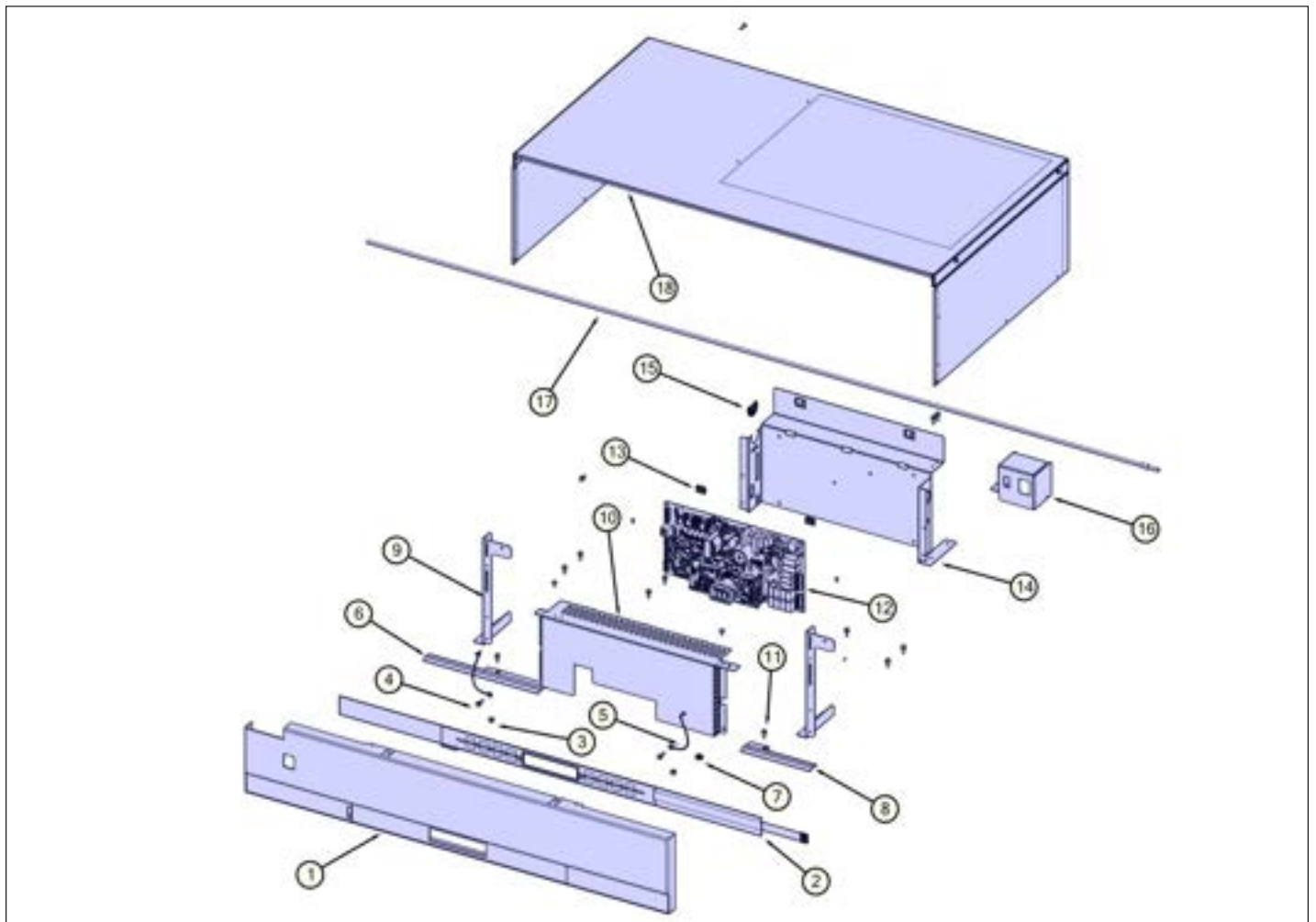


Item	Part No.	Name	Qty	Uom	NOTES
8	044348-000	HINGE, COBRA ASM, 36 BTM, LH UPR	1	EA	
8	044355-000	HINGE, COBRA ASM, 36 BTM, RH UPR	1	EA	
9	062775-000	VEGD 8H COMPRESSOR	1	EA	
10	068353-000	CONDENSER ASM W/COPPER ENDS	1	EA	
11	070896-000	ASM, CONDENSER, FAN, SHROUD	1	EA	
12	050926-000	INVERTER, CMPR, ASM	1	EA	
13	014369-000	DIVERter AIR HI SIDE 36	1	EA	
NI	031006-000	HEAT EXCHANGER ASM BM 36	1	EA	
21	10835901	GROMMET RUBBER V10835901	4	EA	
23	059105-000	CORD, PWR, BM, LEAD TERMINALS	1	EA	
24	M0104102	CLIP-CORD RED	1	EA	
27	030926-000	DRIER - HIGH SIDE	1	EA	
28	10547001	CLIP-DRIER V10547001	1	EA	
29	003325-000	TUBE DRIER COND	1	EA	
30	F2097740	TUBE PROCESS	1	EA	
31	PD930112	CLAMP-CORD	2	EA	
34	PC020269	DOOR STOP 36 BM	1	EA	
35	036356-000	LABEL, WARRANTY VOID WARNING	2	EA	
36	PD020010	10 X 3/8 GREEN GROUNDING SCREW	1	EA	
37	M0223509	SCREW-LAG	2	EA	
38	M0270510	WASHER #	2	EA	
39	000570-000	FASTENER, BOLT, 1/4-20 IHXWS 1" S ZN SER	4	EA	
40	044371-000	RETAINER DOOR STOP	1	EA	
41	044376-000	SCREW FHP 8-32 X .500 SS BO	4	EA	
42	044375-000	SCR HEX SKET SET .3125-18 CUP	4	EA	
45	M0221523	SCREW - SHLDR	4	EA	
46	PD020194	SCR, HEX SRTD WSHR HD, #8-18 X 1/2	4	EA	



Item	Part No.	Name	Qty	Uom	NOTES
47	A3030361	GASKET RED	1	EA	
48	M0104106	CLIP-CORD VM0104106	1	EA	
49	PD020193	SCR 8-18 X 3/8	2	EA	
50	PD020187	SCR 8-32 MCH HXWS 1/4 S ZN	2	EA	
53	A4554817	BUSHING-SNAP VA4554817	2	EA	
55	025257-000	LOCKING,NUT,1/4 - 20	2	EA	
57	M0232929	SCREW-SE	2	EA	
59	12115101	CLAMP-TUBE V12115101	1	EA	
NI	049666-000	SCREW, THREAD ROLLING PAN HEAD	2	EA	
60	071755-000	HARN, VCSB5423/5483, SXS MC, DC, PNL MNTG	1	EA	
61	071756-000	HARN, VCSB5423/5483, SXS MC, AC, PNL MNTG	1	EA	
62	072029-000	HARN, MC, AC, VCBB5363	1	EA	
63	072034-000	HARN, DC, MC, VCBB5363	1	EA	
65	070656-000	HARNESS, USB CONNECTOR, P18 TYPE, S-55902	1	EA	
66	067842-000	FAN, CNDR, 12VDC	1	EA	

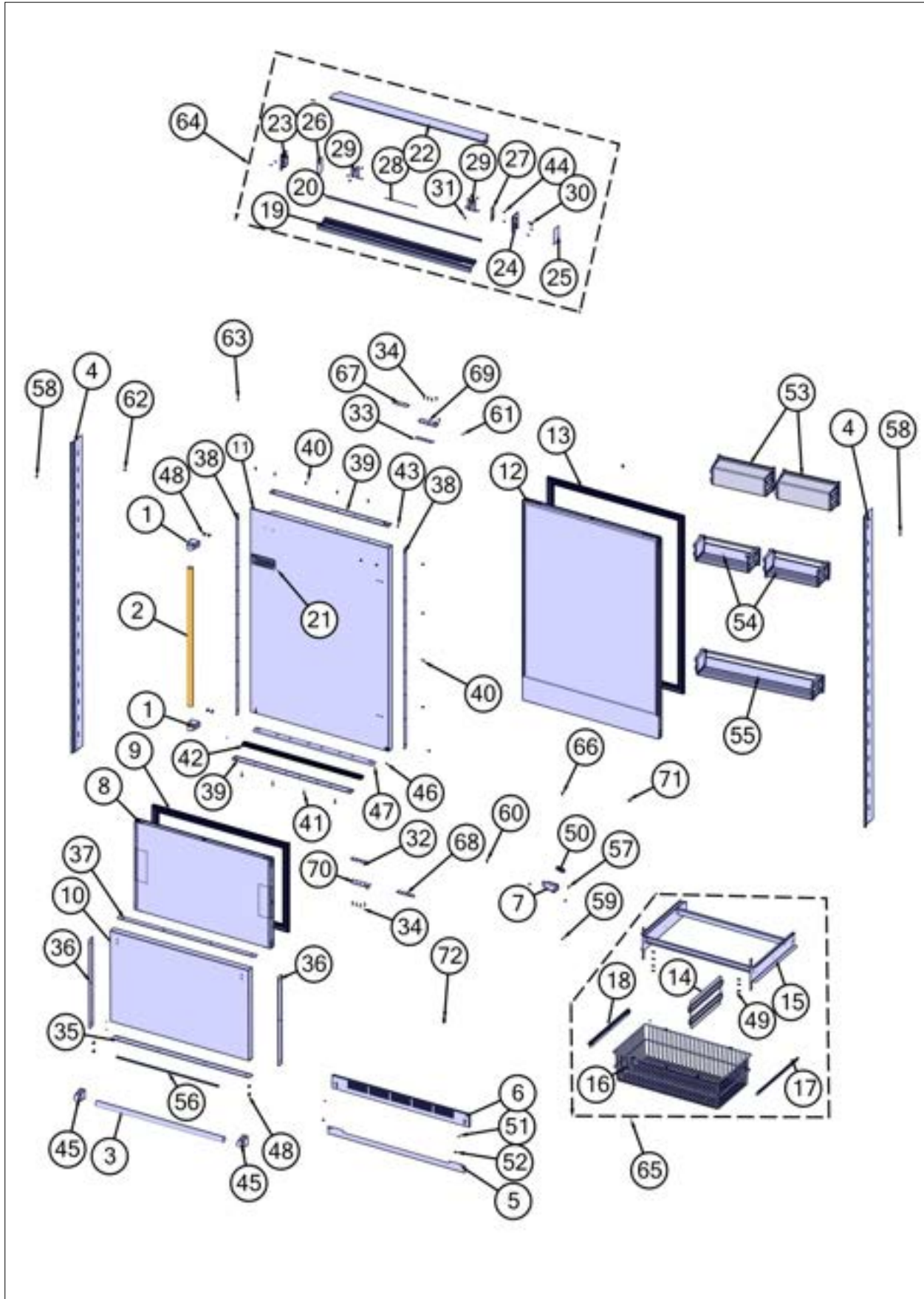
Control View





Item	Part No.	Name	Qty	Uom	NOTES
1	016506-000	PANEL CONTROL BM 36 L	1	EA	
1	016507-000	PANEL CONTROL BM 36 R	1	EA	
2	043376-000	OVERLAY, SW, ASM, BM 36	1	EA	
3	PD020193	SCR 8-18 X 3/8	2	EA	
4	M0238859	SCREW-SHLDR	2	EA	
5	12064001	SUPP-CONT PANEL	2	EA	
6	058523-000	PANEL, BRKT, CONTROL (9.5")	2	EA	
7	12115101	CLAMP-TUBE V12115101	1	EA	
8	071792-000	PANEL, BRKT, CONTROL (5.75")	1	EA	
9	014190-000	BRACKET, GRILLE SUPPORT	2	EA	
10	072070-000	PANEL, MDL, CTRL, BOX, FR, TOP	1	EA	
11	PD020194	SCR, HEX SRTD WSHR HD, #8-18 X 1/2	2	EA	
12	060128-501	CONTROL, MAIN, PCB, 5 SERIES	1	EA	
13	M0288120	NUT-SPEED VM0288120	2	EA	
14	072071-000	PANEL, MDL, CTRL, BOX, SIDE, BACK	1	EA	
15	069620-000	BUSHING, SNAP, U-TYPE, .900"	1	EA	
16	068189-000	BRACKET, SW, POWER W/USB	1	EA	
17	044034-000	TUBING, ROLL, PEX 1/4"	1ft	EA	
18	007979-000	MC COVER ASM BI 36	1	EA	

Unit Sides and Front View





Item	Part No.	Name	Qty	Uom	NOTES
1	026965-000	END CAP, ASM, DOOR HANDLE	2	EA	
2	030894-000	HANDLE, DOOR 36" BRIGADE	1	EA	
3	042448-000	HANDLE, TUBE- 32.445	1	EA	
4	PK910123	SIDE TRIM - PRO	2	EA	
5	044137-000	KICKPLATE, LWR	1	EA	
6	044139-000	TOE GRILLE- VENTED BM 36	1	EA	
7	044367-000	HINGE ASM, CENTER HINGE BM LH	1	EA	
7	044368-000	HINGE ASM, CENTER HINGE BM RH	1	EA	
8	052243-000	DOOR FOAM ASM 36 BM FZ (1.25)	1	EA	
9	005450-000	GASKET,ASM,36,BM FZ	1	EA	
10	042414-000	FZ DOOR SKIN SS	1	EA	
10	046135-002	SKIN DOOR BM 36 FZ PRO BK	1	EA	
10	046135-005	SKIN DOOR BM 36 FZ PRO GG	1	EA	
10	046135-006	SKIN DOOR BM 36 FZ PRO WH	1	EA	
10	046135-008	SKIN DOOR BM 36 FZ PRO BU	1	EA	
10	046135-013	SKIN DOOR BM 36 FZ PRO CB	1	EA	
10	046135-024	SKIN DOOR BM 36 FZ PRO AR	1	EA	
10	046135-2801	FZ Drawer Skin - Kalamata Red (KA)	1	EA	
10	046135-2847	FZ Drawer Skin - Blackforest Green (BF)	1	EA	
10	046135-6180	FZ Drawer Skin - Cypress Green (CY)	1	EA	
10	046135-6258	FZ Drawer Skin - Cast Black (CS)	1	EA	
10	046135-6421	FZ Drawer Skin - Vanilla Cream (VC)	1	EA	
10	046135-6765	FZ Drawer Skin - Bywater Blue (BW)	1	EA	
10	046135-6797	FZ Drawer Skin - Alluvial Blue (AB)	1	EA	
10	046135-6871	FZ Drawer Skin - San Marzano Red (SM)	1	EA	
10	046135-7024	FZ Drawer Skin - Pacific Grey (PG)	1	EA	
10	046135-7070	FZ Drawer Skin - Frost White (FW)	1	EA	



Item	Part No.	Name	Qty	Uom	NOTES
10	046135-7585	FZ Drawer Skin - Reduction Red (RE)	1	EA	
10	046135-7652	FZ Drawer Skin -Artic Grey (AG)	1	EA	
10	046135-7674	FZ Drawer Skin - Damascus Grey (DG)	1	EA	
10	046135-9178	FZ Drawer Skin - Slate Blue (SB)	1	EA	
11	067812-000	SKIN, DOOR, BM 36 FF PRO LH, SS	1	EA	
11	067868-002	SKIN, DOOR, 36 BM, FF, PRO, LH, PAINTED BK	1	EA	
11	067868-005	SKIN, DOOR, 36 BM, FF, PRO, LH, PAINTED GG	1	EA	
11	067868-006	SKIN, DOOR, 36 BM, FF, PRO, LH, PAINTED WH	1	EA	
11	067868-008	SKIN, DOOR, 36 BM, FF, PRO, LH, PAINTED BU	1	EA	
11	067868-013	SKIN, DOOR, 36 BM, FF, PRO, LH, PAINTED CB	1	EA	
11	067868-024	SKIN, DOOR, 36 BM, FF, PRO, LH, PAINTED AR	1	EA	
11	067868-2801	FF, Left Door Skin - Kalamata Red (KA)	1	EA	
11	067868-2847	FF, Left Door Skin - Blackforest Green (BF)	1	EA	
11	067868-6180	FF, Left Door Skin - Cypress Green (CY)	1	EA	
11	067868-6258	FF, Left Door Skin - Cast Black (CS)	1	EA	
11	067868-6421	FF, Left Door Skin - Vanilla Cream (VC)	1	EA	
11	067868-6765	FF, Left Door Skin - Bywater Blue (BW)	1	EA	
11	067868-6797	FF, Left Door Skin - Alluvial Blue (AB)	1	EA	
11	067868-6871	FF, Left Door Skin - San Marzano Red (SM)	1	EA	
11	067868-7024	FF, Left Door Skin - Pacific Grey (PG)	1	EA	
11	067868-7070	FF, Left Door Skin - Frost White (FW)	1	EA	
11	067868-7585	FF, Left Door Skin - Reduction Red (RE)	1	EA	



Item	Part No.	Name	Qty	Uom	NOTES
11	067868-7652	FF, Left Door Skin -Artic Grey (AG)	1	EA	
11	067868-7674	FF, Left Door Skin - Damascus Grey (DG)	1	EA	
11	067868-9178	FF, Left Door Skin - Slate Blue (SB)	1	EA	
12	066261-000	LINER, DOOR, BTM, 36", FF	1	EA	
13	005449-000	GASKET, ASM, 36, FF	1	EA	
14	003995-000	DIVIDER, BOT BASKET	1	EA	
15	PM010622	FRAME BASKET ASM 36 BM	1	EA	
16	PM910172	BASKET BOTTOM 36 BM FZ	1	EA	
17	PC080030	INNER MEMBER, SLIDE BM 36 (RH)	1	EA	
Not Shown	NOTE	(BEFORE 04/14/16)		EA	
17	057855-000	INNER MEMBER, SLIDE BM 36 (RH)	1	EA	
Not Shown	NOTE	(ON OR AFTER 04/14/16)		EA	
18	PC080027	INNER MEMBER, SLIDE BM 36 (LH)	1	EA	
Not Shown	NOTE	(BEFORE 04/14/16)		EA	
18	057854-000	INNER MEMBER, SLIDE BM 36 (LH)	1	EA	
Not Shown	NOTE	(ON OR AFTER 04/14/16)		EA	
19	016190-000	GRILLE LOWER 36 BM LH	1	EA	
19	016189-000	GRILLE LOWER 36 BM RH	1	EA	
20	052278-000	LOUVER, CTR	1	EA	
21	062341-000	NAMEPLATE, VIKING, 3.500", W/LOC PINS 5 SERIES	1	EA	
22	016205-000	GRILLE LOUVER UPPER AF AR 36 DES FOL	1	EA	
23	PM910349	END CAP GRILLE L	1	EA	
24	PM910348	ENP CAP GRILLE R	1	EA	
25	033729-000	ENDCAP, GRILLE, R, HINGE	1	EA	
26	033707-000	ENDCAP, GRILLE, L, NO HINGE	1	EA	
27	K2099471	BRACKET GRILLE SUPPORT L	1	EA	

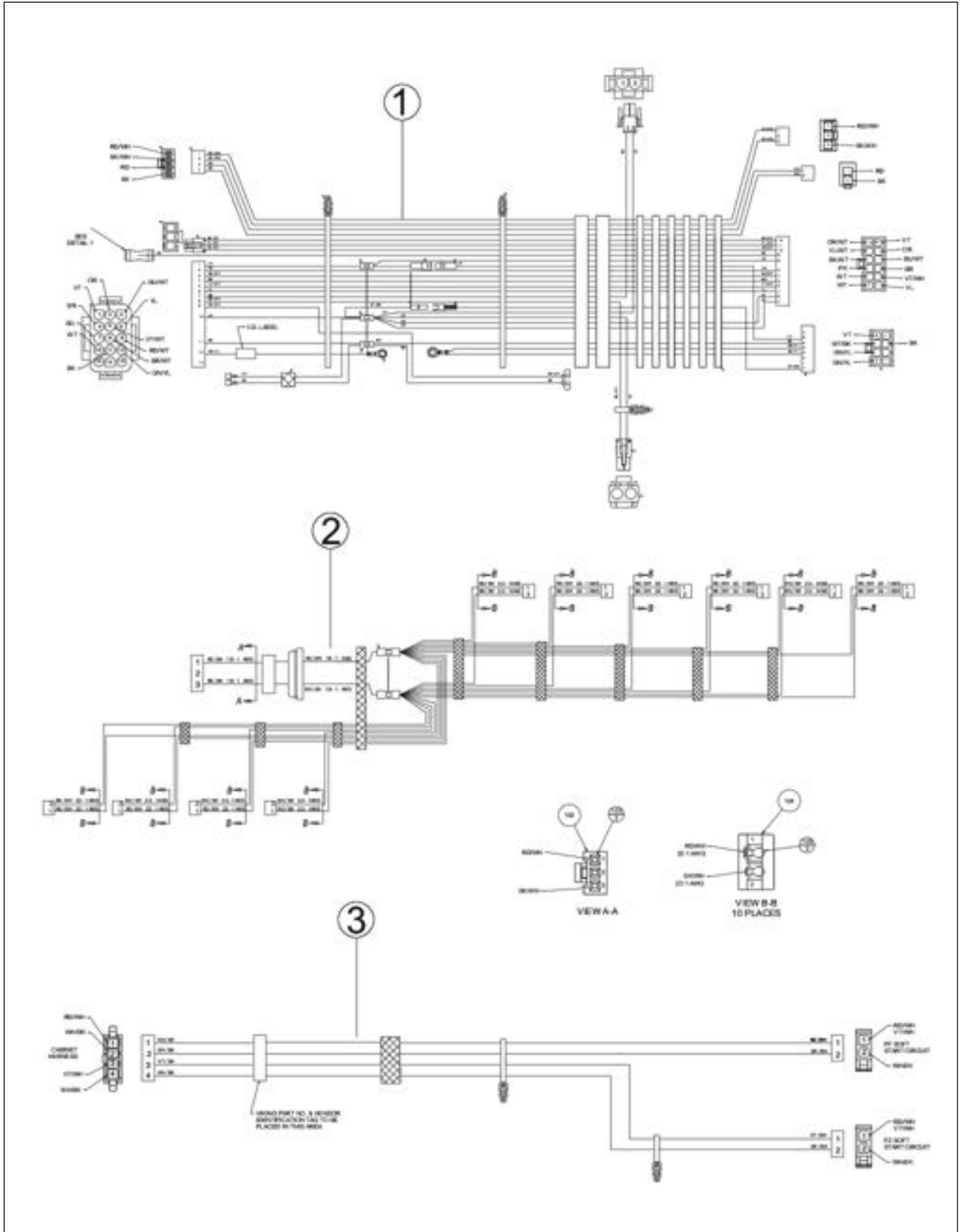


Item	Part No.	Name	Qty	Uom	NOTES
28	PF930523	GRILL BLADE LABEL (REFRIGERATOR)	1	EA	
29	PK050004	BRACKET GRILLE 5 SERIES	2	EA	
30	003004-000	8 - 18 X 1/2 ZN/CLR PHIL FLAT TRIM HD #5 TYPE AB TAPPING SCREW	6	EA	
31	PD020194	SCR, HEX SRTD WSHR HD, #8- 18 X 1/2		EA	
32	001617-000	SPACER,NYL,PIVOT PLATE	1	EA	
33	PD040162	SPACER-DOOR HINGE	1	EA	
34	PD920174	10X7/8 PHILLIPS SMA TRI LOBE SA		EA	
35	056847-000	TRIM - DOOR BM FC BOT	1	EA	
36	056846-000	TRIM - DOOR BM PRO FC SIDES	2	EA	
37	PK930005	SPACER - DES FC TOP	1	EA	
38	014580-000	SPACER,TRIM,BM	2	EA	
39	056845-000	TRIM DOOR BULLNOSE 36 TOP/BOT	2	EA	
40	M0210458	SCR 8-18 X 5/8 WAFER PH SMS	2	EA	
41	010944-000	8-18 X 1 PH WAFER HD	1	EA	
42	011101-000	DOOR,SKIN,EXT INSR	1	EA	
43	PD030006	PALNUT, CAPPED, WASHER	4	EA	
44	M0224128	SCR 8-18 B TRP 5/16 S	1	EA	
45	026965-000	END CAP, ASM, DOOR HANDLE	2	EA	
46	PD020187	SCR 8-32 MCH HXWS 1/4 S ZN		EA	
47	010839-000	BLOCK,FOAM,DES, PROI	1	EA	
48	035647-000	BOLT, FASTENER, HXH, SST		EA	
49	023005-000	NO.10-32 X 1/2 HEX HEAD MACHINE SCREW		EA	
50	044316-000	CAM, DOOR CLOSURE, TOP	1	EA	
51	40370P01	WASHER, FLAT	2	EA	
52	PD020032	SRW-8(A)X3/8"PH.WFR HD 7/16DIA*NICL	2	EA	
53	V12097404	DAIRY MODULE ASM	2	EA	
54	036882-000	DOORBIN ASM FF 36 HALF	2	EA	
55	036884-000	DOORBIN ASM FF 36 FULL	1	EA	



Item	Part No.	Name	Qty	Uom	NOTES
56	052406-000	EXTRUSION SHIM	1	EA	
57	043902-000	10-32 X 3/4 TRILOBE (T20) FLAT HEAD		EA	
58	PD020032	SRW-8(A)X3/8"PH.WFR HD 7/16DIA*NICL	2	EA	
59	PD020187	SCR 8-32 MCH HXWS 1/4 S ZN	1	EA	
60	043902-000	10-32 X 3/4 TRILOBE (T20) FLAT HEAD		EA	
61	001091-000	NO.8-32X1/4 FLAT PHIL HD TAPTITE	1	EA	
62	M0274067	WASHER-NYLON	1	EA	
63	M0253916	SCR 8-32 SHXW 3/8 TRI-LOBE	1	EA	
64	052436-000	GRILLE, ASM, 36 BTM PRO CHROME, LH	1	EA	
64	052435-000	GRILLE, ASM, 36 BTM PRO CHROME, RH	1	EA	
65	001275-000	BASKET BOTTOM ASM 36 BM	1	EA	
66	PD020068	SCREW		EA	
67	044859-000	SPACER 4-HOLE, SILVER POWDER COATED	1	EA	
68	001617-000	SPACER,NYL,PIVOT PLATE	1	EA	
69	044356-000	PIVOT PLATE, ASM, LH, UPR		EA	
69	044357-000	PIVOT PLATE ASM, RH, UPR	1	EA	
70	044346-000	PIVOT PLATE ASM, LH, LWR	1	EA	
70	044345-000	PIVOT PLATE ASM, RH, LWR	1	EA	
71	M0210458	SCR 8-18 X 5/8 WAFER PH SMS		EA	
NI	K10911852	SHIM-CENTER HINGE	7	EA	
NI	M0321202	TIE-ELEC		EA	
NI	044316-000	CAM, DOOR CLOSURE, TOP	1	EA	
NI	043246-000	CAM, DOOR CLOSURE, TOP (SEE PC020228)		EA	
72	044316-000	CAM, DOOR CLOSURE, TOP	1	EA	

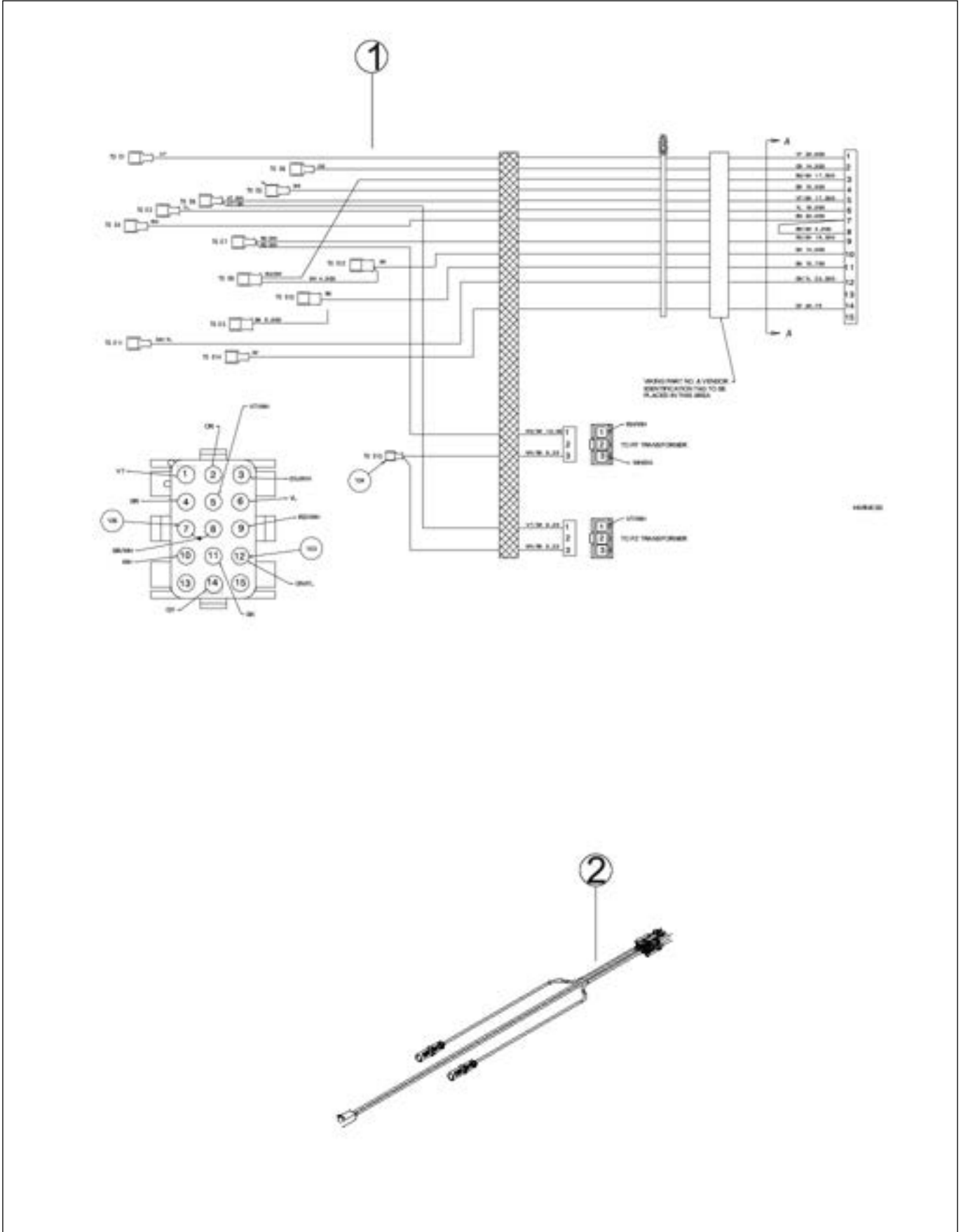
ELECTRICAL - 1





Item	Part No.	Name	Qty	Uom	NOTES
1	043792-000	HARNESS, MC BM	1	EA	
2	046484-000	HARNESS, FF, LED LIGHT BM	1	EA	
3	048680-000	HARNESS, POWER SUPPLY, LED, BM/SXS	1	EA	

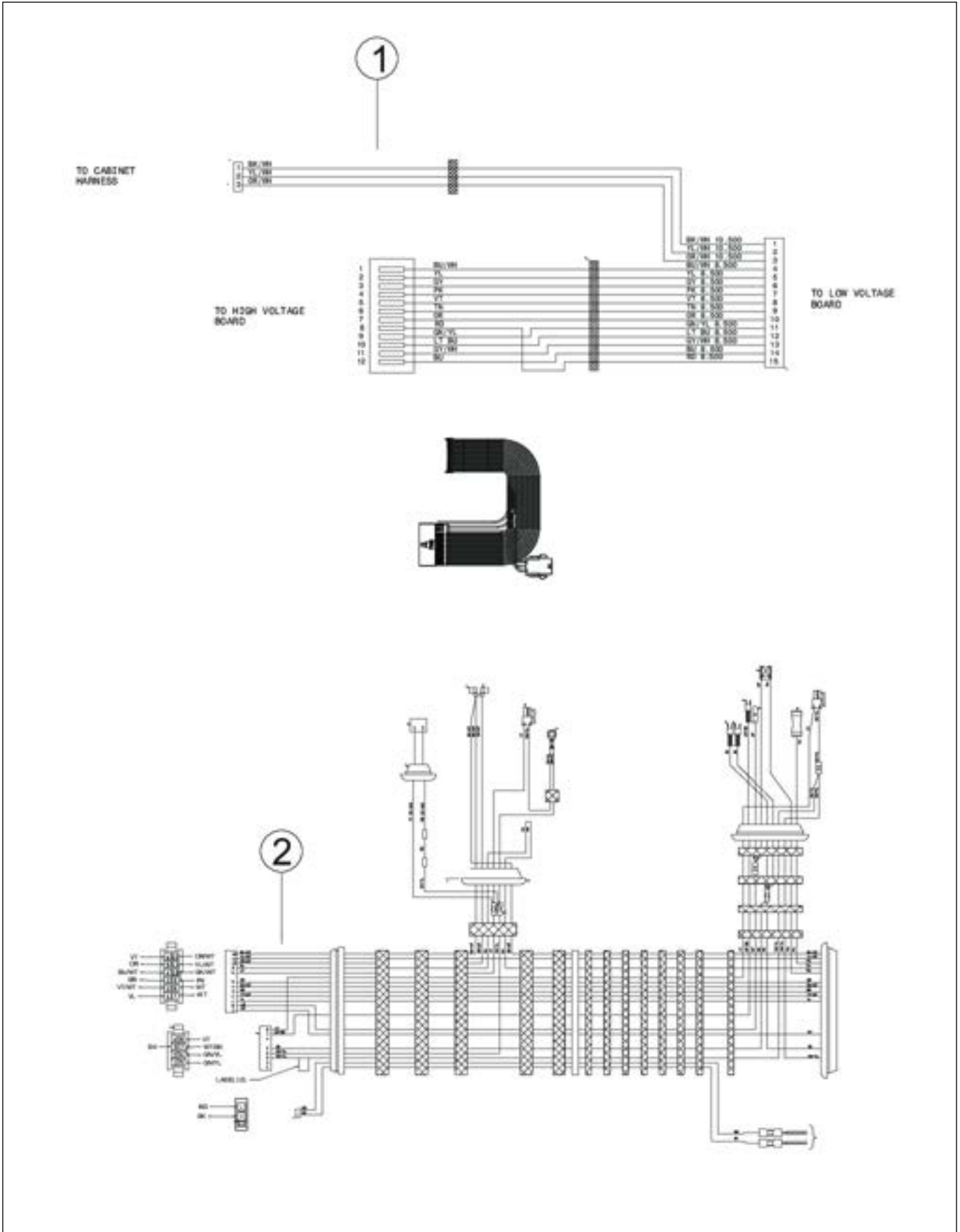
ELECTRICAL - 2





Item	Part No.	Name	Qty	Uom	NOTES
1	048643-000	HARNESS, HIGH VOLTAGE	1	EA	
2	PE970609	HARNESS CONTROL BOARD	1	EA	

ELECTRICAL - 3





Item	Part No.	Name	Qty	Uom	NOTES
1	PE970464	HARNESS LOW VOLT	1	EA	
2	043229-000	HARNESS, FZ, CABINET BM	1	EA	



Appendix A:Pages Index

Bottom View	1
Control View	5
ELECTRICAL - 1	7
ELECTRICAL - 2	8
ELECTRICAL - 3	9
FF Interior View	2
FZ Interior View	3
Top View	4
Unit Sides and Front View	6



Appendix B:Parts Index

000247-000 3	036356-000 4
000570-000 4	036882-000 6
001091-000 6	036884-000 6
001275-000 6	042414-000 6
001617-000 6, 6	042448-000 6
003004-000 6	042673-000 2
003325-000 4	042764-000 2
003471-000 3	042766-000 2, 3
003995-000 6	042932-000 2
005449-000 6	043203-000 2
005450-000 6	043229-000 9
007301-000 2	043246-000 6
007979-000 5	043376-000 5
009216-000 3	043792-000 7
010093-000 2	043844-000 2
010839-000 6	043902-000 3, 6, 6
010944-000 6	044034-000 5
011101-000 6	044137-000 6
011332-000 1	044139-000 6
012396-000 2	044214-000 2
013112-000 1	044219-000 2
014190-000 5	044316-000 6, 6, 6
014369-000 4	044345-000 6
014580-000 6	044346-000 6
016189-000 6	044348-000 4
016190-000 6	044355-000 4
016205-000 6	044356-000 6
016506-000 5	044357-000 6
016507-000 5	044367-000 6
019244-000 2	044368-000 6
023005-000 6	044371-000 4
024373-000 2	044375-000 4
025257-000 4	044376-000 4
026965-000 6, 6	044859-000 6
030894-000 6	046135-002 6
030926-000 4	046135-005 6
031006-000 3, 4	046135-006 6
033707-000 6	046135-008 6
033729-000 6	046135-013 6
035647-000 6	046135-024 6
		046135-2801 6



046135-2847	6	057853-000	3
046135-6180	6	057854-000	6
046135-6258	6	057855-000	6
046135-6421	6	057856-000	3
046135-6765	6	057857-000	3
046135-6797	6	058523-000	5
046135-6871	6	058535-000	3
046135-7024	6	058966-000	3
046135-7070	6	059105-000	4
046135-7585	6	059650-000	3
046135-7652	6	060128-501	5
046135-7674	6	060890-000	1
046135-9178	6	060891-000	1
046235-000	2, 2	062341-000	6
046255-000	2, 2	062775-000	4
046484-000	7	066261-000	6
048643-000	8	067812-000	6
048680-000	7	067842-000	4
049666-000	4	067868-002	6
050241-000	2	067868-005	6
050242-000	2	067868-006	6
050262-000	2	067868-008	6
050844-000	2	067868-013	6
050926-000	4	067868-024	6
050932-000	2	067868-2801	6
051369-000	2	067868-2847	6
051372-000	3	067868-6180	6
051816-000	3	067868-6258	6
051876-000	3	067868-6421	6
051877-000	3	067868-6765	6
051922-000	3	067868-6797	6
052243-000	6	067868-6871	6
052278-000	6	067868-7024	6
052405-000	3	067868-7070	6
052406-000	6	067868-7585	6
052435-000	6	067868-7652	6
052436-000	6	067868-7674	6
056845-000	6	067868-9178	6
056846-000	6	068189-000	5
056847-000	6	068353-000	4
057852-000	3	069620-000	5



070656-000	4	F2097740	4
070896-000	4	G50911850	3
071038-000	2	G50912334	2
071583-000	1	K10911852	6
071755-000	4	K20911831	1
071756-000	4	K20915952	1
071792-000	5	K2098044	1
072029-000	4	K2098398	3
072034-000	4	K2099471	6
072070-000	5	L21910017	3
072071-000	5	M0104102	1, 4
076520-000	3	M0104106	1, 4
077049-000	3	M0210458	6, 6
10250003	3	M0211018	3
10428101	3	M0211021	2
10526701	3	M0213105	1
10547001	4	M0220417	1
10656101	3	M0221523	4
10835901	4	M0223509	4
12059901	3	M0223729	3
12063301	3	M0224128	2, 6
12064001	5	M0232929	4
12067301	3	M0238535	2
12070201	2	M0238859	3, 5
12070202	2	M0253916	1, 3, 6
12088001	3	M0270510	4
12102401	3	M0274067	6
12106101	3	M0288120	5
12115101	4, 5	M0321202	3, 6
12404901	2	M0322202	3
40370P01	6	M0581001	2, 3, 3
A1017202	3	PA970012	1
A3030361	4	PB970187	3
A3189337	2	PB970188	3
A3189348	3	PC020269	4
A4554806	1	PC080025	3
A4554817	4	PC080026	3
A4554818	3	PC080027	6
B20915627	1	PC080028	3
C8983701	2, 3	PC080029	3
F20915696	1	PC080030	6



PD020010	1, 2, 3, 4
PD020032	2, 6, 6
PD020068	6
PD020187	4, 6, 6
PD020189	3, 3
PD020193	3, 4, 5
PD020194	1, 2, 3, 3, 4, 5, 6
PD020195	2, 3, 3
PD020270	3
PD030006	6
PD030146	1
PD040162	6
PD920161	2
PD920162	2
PD920174	6
PD930112	4
PE050248	1
PE970464	9
PE970609	8
PF930523	6
PJ910030	3
PK030439	2
PK030540	1
PK050004	6
PK910123	6
PK930005	6
PK930056	3
PK930348	1
PM010622	6
PM010630	3
PM910168	3
PM910172	6
PM910178	3
PM910334	2
PM910348	6
PM910349	6
V12097404	6