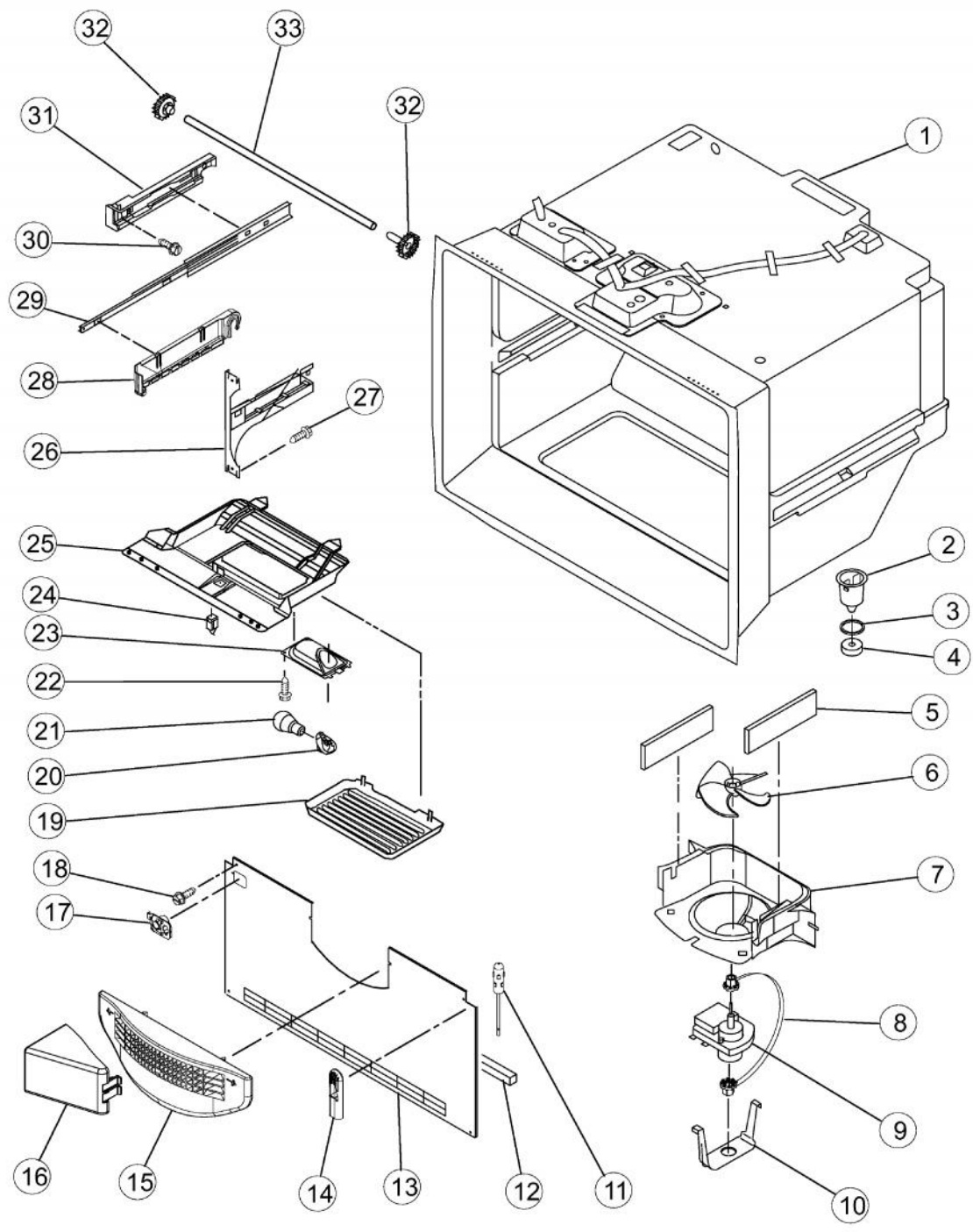
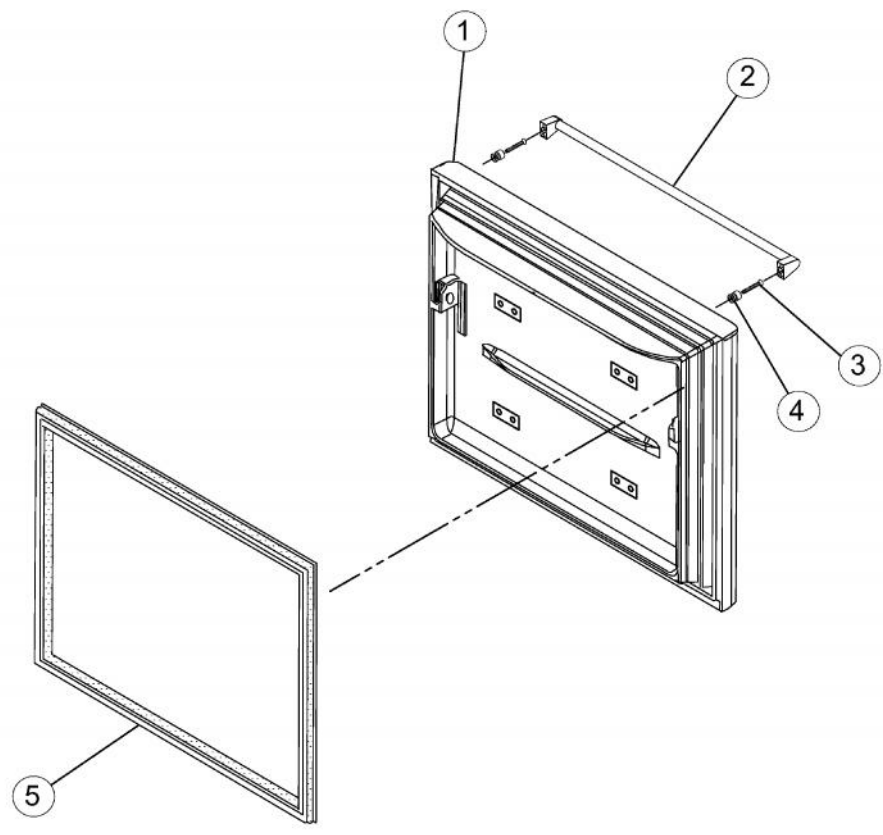


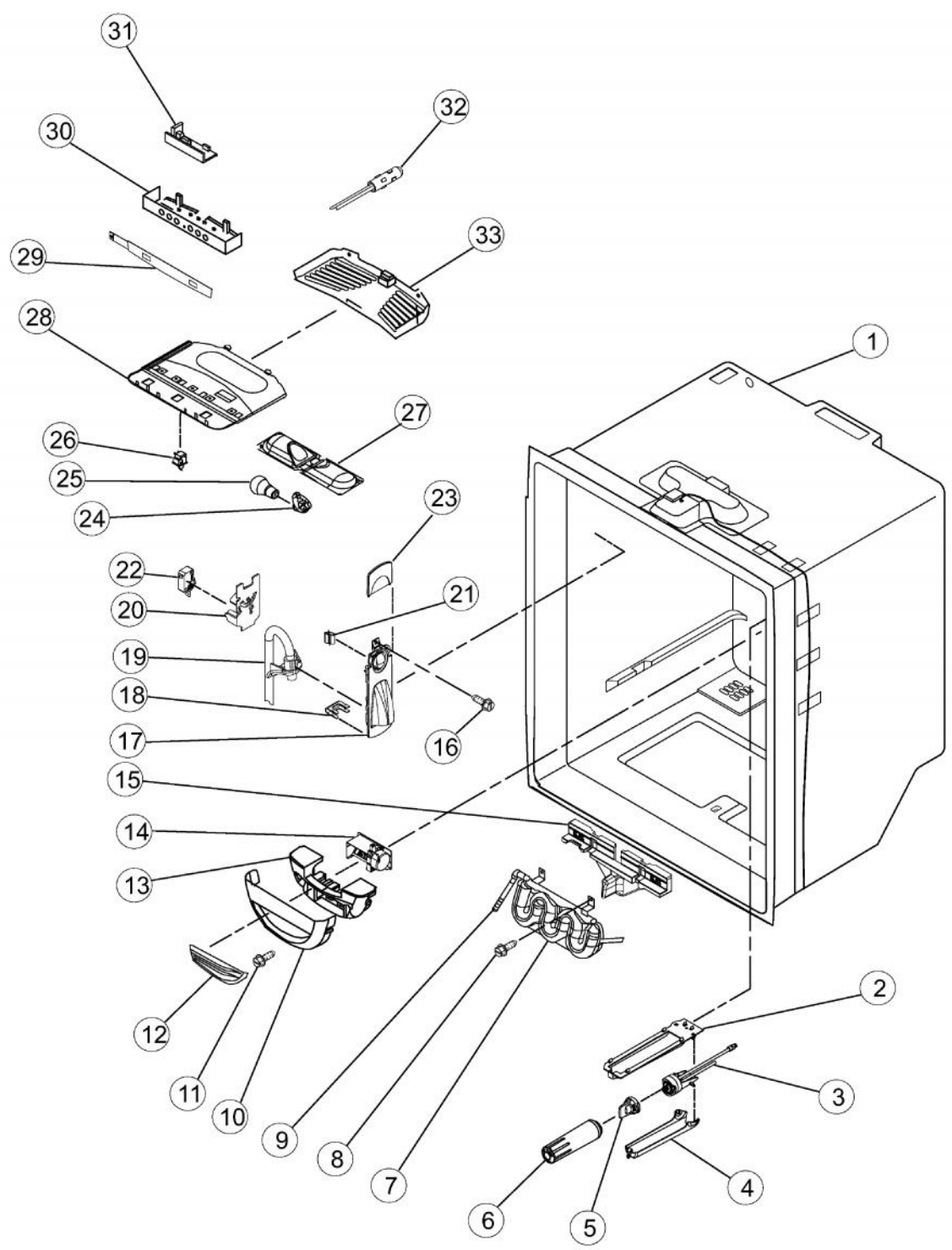
Ref #	Part Number	Qty.	Description
1	NON-SERVICEABLE	1	CABINET
2	PS400183	1	COVER, WATER LINE (67003331)
3	PS400013	1	SCREW, DOOR STOP (67006287)
4	017085-000	2	BLOCK, FILTER
5	PS400181	1	CLIP, SPEED (M0114003)
6	PS400185	1	ELBOW, FILL TUBE
7	PS400129	1	SCREW, SMALL (67006425)
8	017010-000	1	COVER, UNIT
9	PS400175	1	GASKET
10	PS400182	1	CLAMP, TUBE
11	017008-000	1	COVER, WATER VALVE
12	PS400187	1	DUAL TUBE SWEEP (67004101)
13	PS400186	1	ACOUSTIC FIBER (67003796)
14	011495-000	1	TUBE, DRAIN
15	011492-000	1	CLIP, DRAIN TUBE
16	017006-000	1	ROLLER ASSY., FRONT RIGHT
17	011488-000	2	BRAKE, FOOT
18	PS400282	8	SCREW, BOTTOM HINGE (67006564)
19	011494-000	1	GRILLE, TOE - BK
20	017007-000	1	ROLLER ASSY., FRONT LEFT
21	PS400024	3	SCREW, CENTER HINGE (67006380)
22	017002-000	1	HINGE CENTER, BK
23	PS400022	1	PIN, CENTER HINGE (67006642)
24	017001-000	1	COVER, LEFT HINGE (APOLLO GREY)
25	017005-000	1	HINGE, TOP LEFT
26	017001-000	1	COVER, LEFT HINGE (APOLLO GREY)
27	PS400015	1	SCREW, TOP HINGE COVER (67006521)
28	PS400010	3	GEAR (LH & RH)



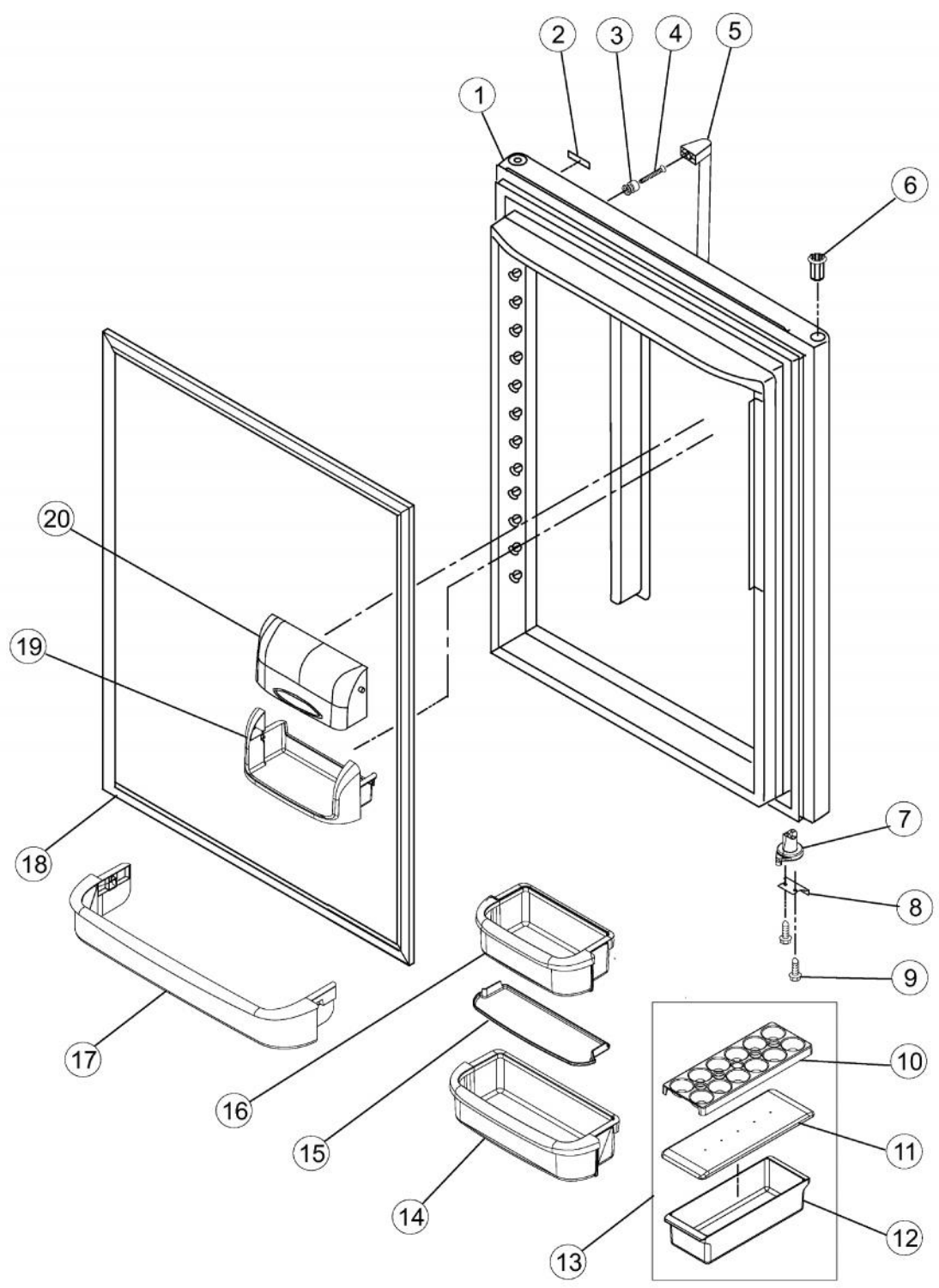
Ref #	Part Number	Qty.	Description
1	NON-SEVICEABLE	1	LINER
2	PS400092	1	FUNNEL, DRAIN
3	PS400091	1	SEAL, O-RING
4	PS400090	1	GASKET, DRAIN TUBE
5	017081-000	1	GASKET, FOAM
6	PS400142	1	FAN, EVAPORATOR
7	011506-000	1	SHROUD, EVAP. FAN
8	017015-000	1	GROMMET
9	017012-000	1	MOTOR, EVAPORATOR
10	PS400124	1	CLIP, EVAPORATOR
11	PS400353	1	THERMISTOR
12	PS400126	1	GASKET (A3189396)
13	PS400125	1	COVER, EVAPORATOR (67005873)
14	PS400149	1	COVER, FREEZER THERMISTOR (67003924)
15	011505-000	1	GRILLE, FZ AIR
16	017115-000	1	DIVERTER, AIR
17	011509-000	1	GUIDE, FILL TUBE
18	PS400129	4	SCREW, SMALL (67006425)
19	PS400058	1	COVER, FREEZER LIGHT (67003905)
20	011498-000	1	SOCKET, LIGHT
21	017014-000	1	LIGHT
22	PS400062	1	SCREW, HOUSING (67006530)
23	PS400060	1	LIGHT HOUSING (67001035)
24	PS400061	1	LIGHT SWITCH / INTERLOCK (12002646)
25	PS400059	1	MODULE, FREEZER CONTROL (67003906)
26	010915-000	1	BRACKET, DOOR, LEFT
No.	010916-000	1	BRACKET, DOOR, RIGHT
27	PS400101	8	SCREW, BRACKET (67006473)
28	017016-000	1	CRADLE, BASKET - LEFT
No.	017017-000	1	CRADLE, BASKET - RIGHT
29	011504-000	1	SLIDE, DRAWER
30	PS400093	6	SCREW, ADAPTER (67006406)
31	017018-000	1	ADAPTER, SLIDE - LEFT
No.	017-019-000	1	ADAPTER, SLIDE - RIGHT
32	PS400100	1	GEAR (LH / RH)
33	PS400108	1	SHAFT, RACK (67004017)



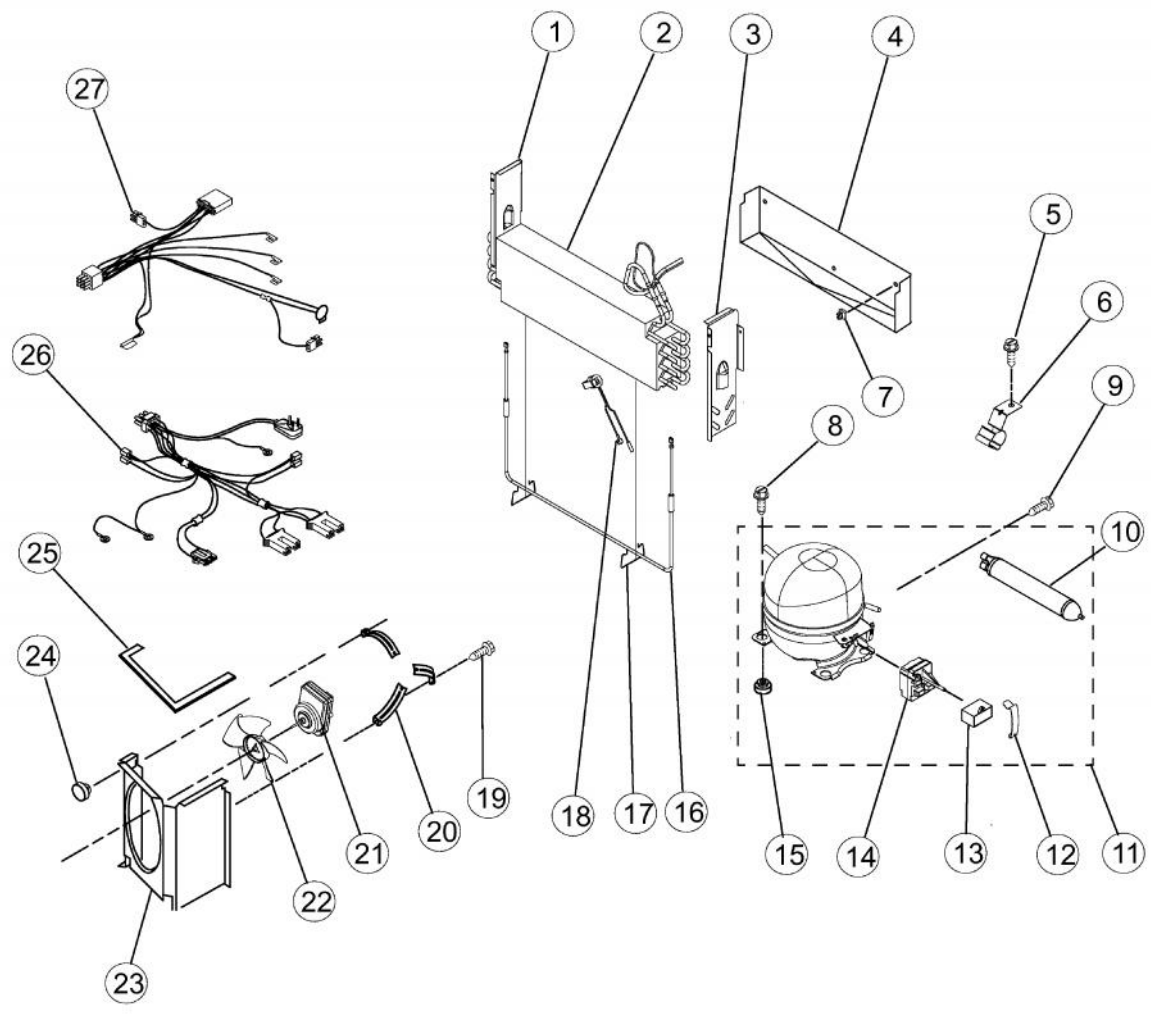
Ref #	Part Number	Qty.	Description
1	017064-000	1	DOOR, FREEZER SS
2	017059-000	1	FZ, DOOR HANDLE
3	011605-000	2	SCREW, MOUNT
4	PS400213	2	MOUNT, HANDLE 67006109
5	017032-000	1	GASKET, FREEZER DOOR (BLACK)



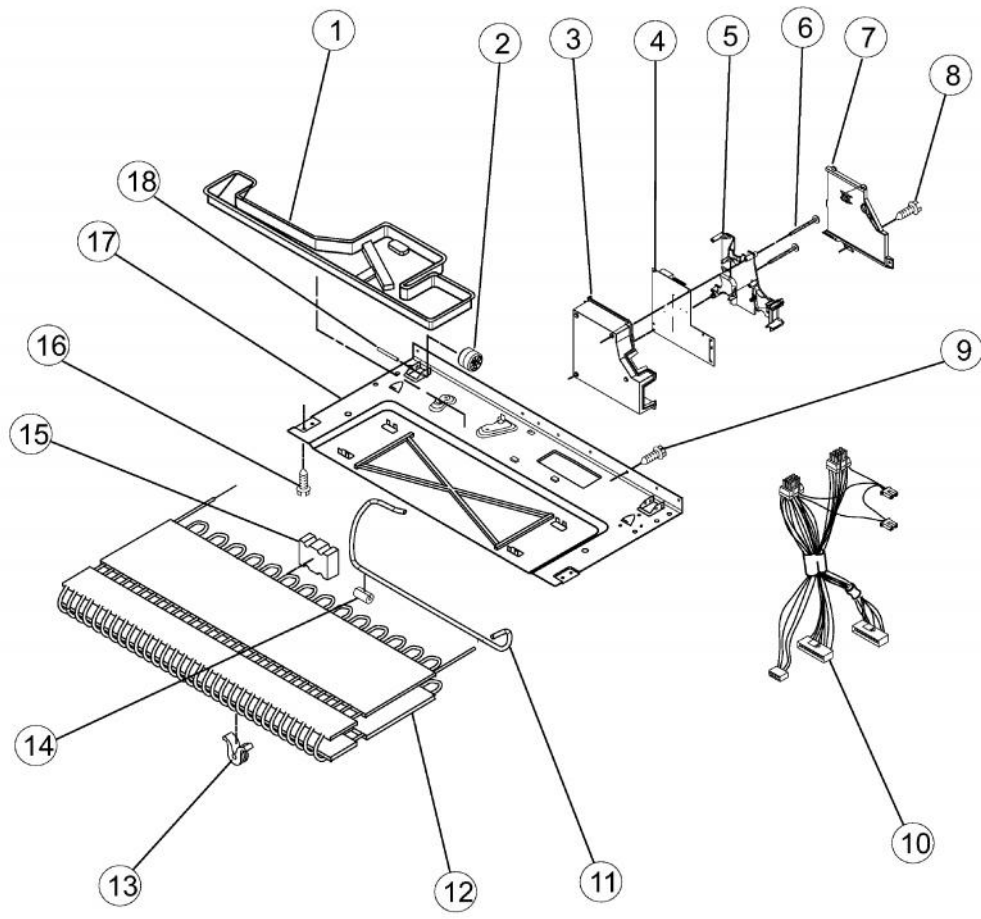
Ref #	Part Number	Qty.	Description
1	NON-SEVICEABLE	1	LINER
2	PS400029	1	FILTER BACKING PLATE (67001668)
3	PS400030	1	WATER FILTER HEAD (W/TUBING) (67006524)
4	PS400031	1	COVER, FILTER
5	PS400041	1	BYPASS PLUG (12664501)
6	SALES ITEM	1	FILTER, WATER
7	PS400039	1	WATER TANK (W10153959)
8	PS400013	2	SCREW, DOOR STOP (67006287)
9	PS400040	1	UNION (5/16 X 5/16)
10	PS400049	1	DAMPER COVER (67003899)
11	017092-000	2	SCREW
12	PS400050	1	INSERT, DAMPER COVER (67003900)
13	017025-000	1	INSULATION
14	017026-000	1	CONTROL, DAMPER
15	017029-000	1	INSULATION, WATER TANK
16	PS400042	2	SCREW, SMALL (67006400)
17	017027-000	1	FA?ADE, DISPENSER
18	PS400037	1	WATER LINE CLIP (67002816)
19	PS400036	1	WATER LINE GUIDE (67002743)
20	017028-000	1	PLATE, SWITCH
21	PS400032	2	FACADE CLIP (B8390302)
22	PS400035	1	SWITCH, LIMIT
23	PS400038	1	TOP, FACADE DISPENSER (67006733)
24	011498-000	2	SOCKET, LIGHT
25	017014-000	2	LIGHT
26	PS400044	1	LIGHT SWITCH (C3680310)
27	PS400052	1	LIGHT HOUSING (67003901)
28	017119-000	1	LIGHT MODULE
29	017117-000	1	KEYBOARD
30	017128-000	1	MODULE, CONTROL
31	PS400048	1	CONTROL BOARD (W10207861)
32	PS400353	1	THERMISTOR
33	PS400046	1	COVER, REFRIGERATOR LIGHT (67003897)



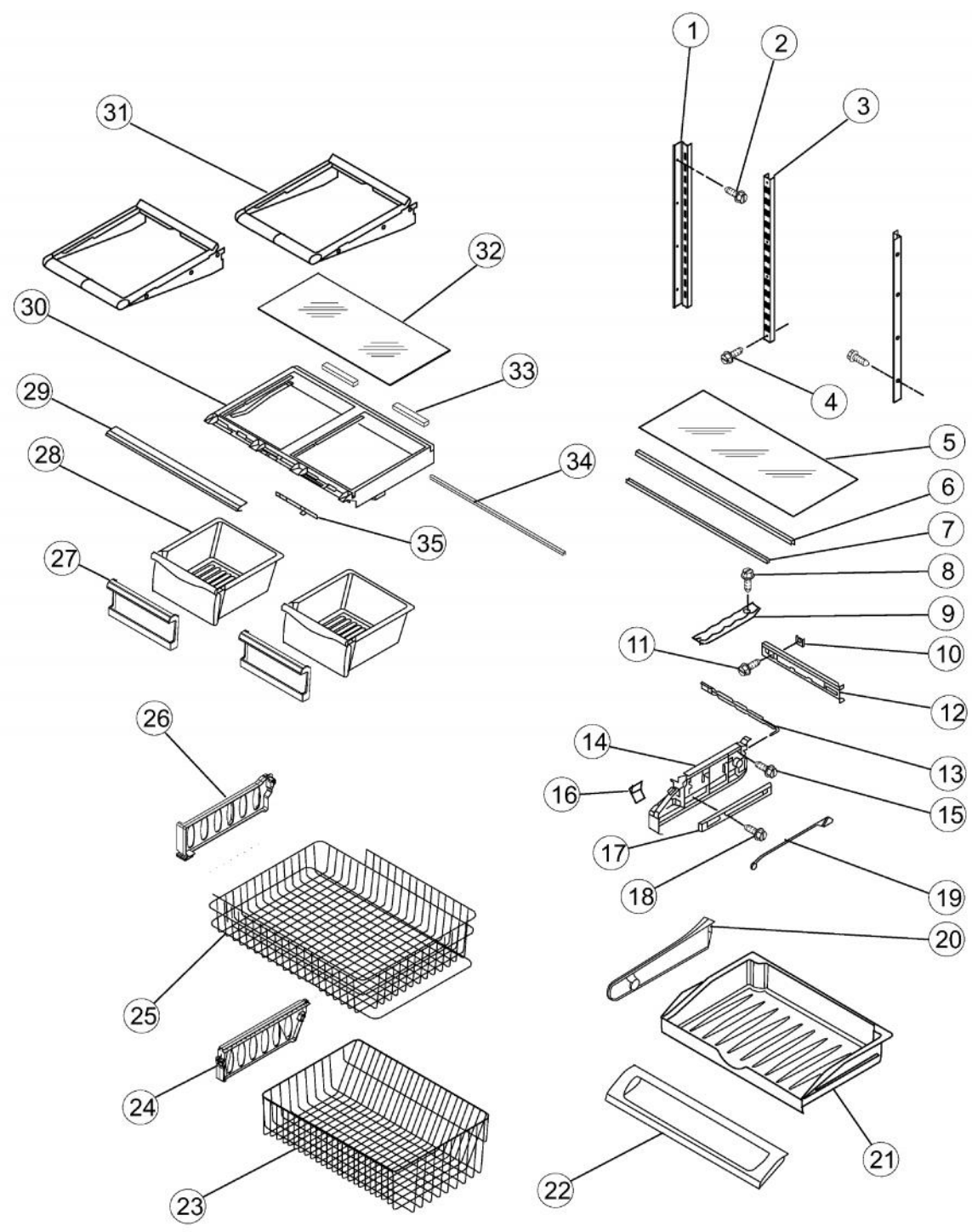
Ref #	Part Number	Qty.	Description
1	SALES ITEM	1	NAMEPLATE
2	017112-000	1	DOOR, REF LEFT SS
3	PS400213	1	MOUNT, HANDLE 67006109
4	011605-000	2	SCREW, MOUNT
5	017059-000	2	FZ, DOOR HANDLE
6	017100-000	2	BUSHING, DOOR - UPPER RIGHT (APOLLO GREY)
7	017103-000	1	CLOSURE, DOOR (APOLLO GREY)
8	017023-000	1	STOP, DOOR (APOLLO GREY)
9	PS400013	1	SCREW, DOOR STOP (67006287)
10	N/A	1	TRAY, EGG
11	N/A	1	LID, UTILITY
12	N/A	1	BIN, UTILITY
13	PM910332	1	ACCESORY ASSY
14	017093-000	2	BUCKET, LARGE (W/GRIPPER)
15	017094-000	2	GRIPPER, LARGE
16	017095-000	1	BUCKET, MEDIUM (W/GRIPPER)
17	017077-000	1	RETAINER, DOOR
18	014116-000	1	BURNER BOX, BTM, VDSC536T
19	PS400017	1	DAIRY TRAY (67001279)
20	PS400018	1	DAIRY DOOR (67006727)
No.	PS400026	1	GRIPPER, MEDIUM (67006731)



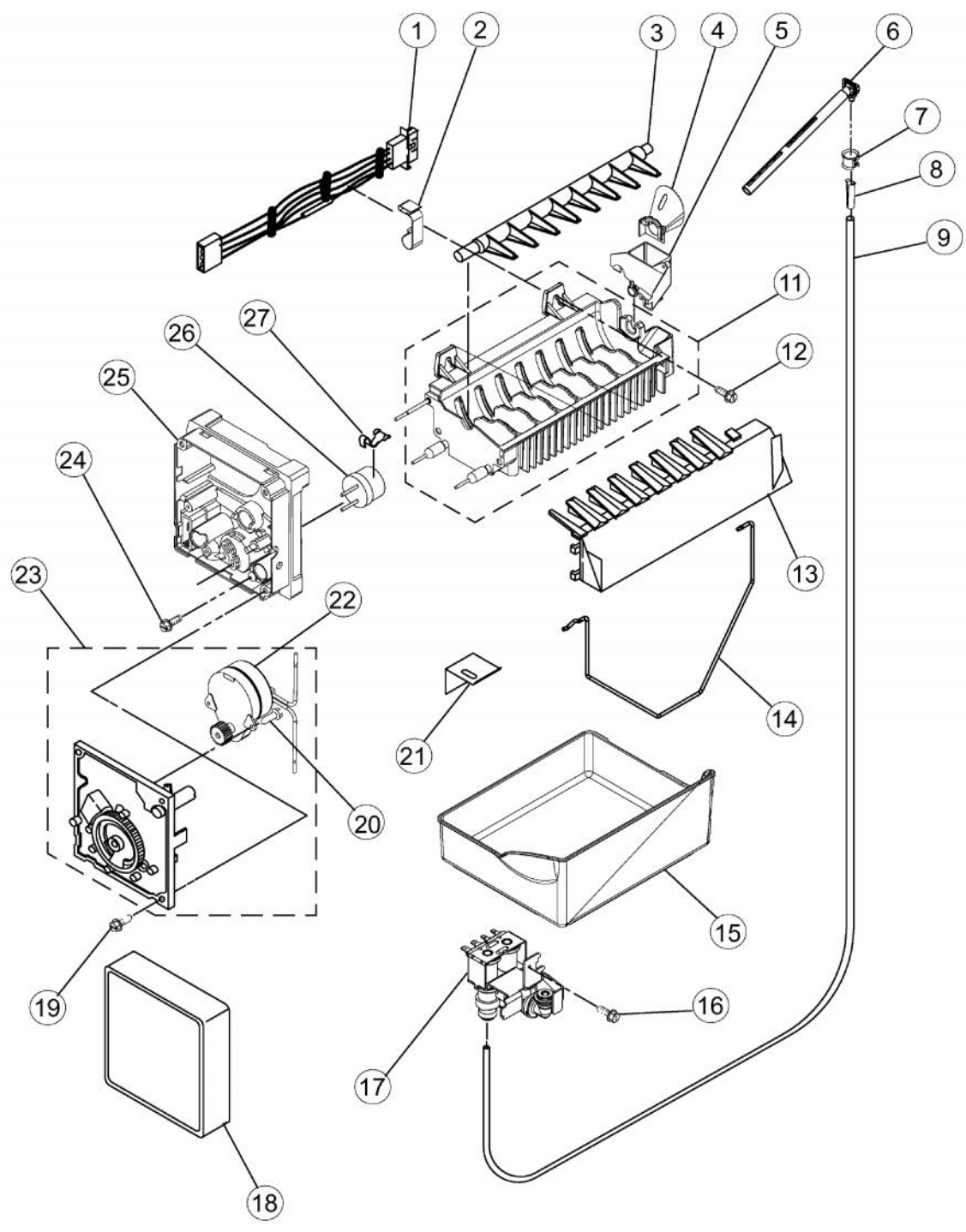
Ref #	Part Number	Qty.	Description
1	PS400134	1	DAM, LEFT RETURN (67001083)
3	PS400135	1	DAM, RIGHT RETURN (67001084)
4	017109-000	1	TRAY, DRIP
5	PS400148	1	SCREW, CLIP (67006737)
6	017056-000	1	CLIP, DRIER
7	PS400124	1	CLIP, EVAPORATOR
8	017045-000	3	SCREW (12846902)
9	PS400155	1	GROUND SCREW (67006433)
10	017063-000	1	DRIER
11	017088-000	1	COMPRESSOR KIT
12	017096-000	1	CLIP, CAPACITOR
13	017087-000	1	CAPACITOR
14	017086-000	1	RELAY, START
15	017044-000	4	GROMMET (W10169124)
16	PS400136	1	HEATER, EVAPORATOR (67002493)
17	PS400137	1	CLIP, HEATER
18	017041-000	1	THERMOSTAST, DEFROST
19	PS400170	3	SCREW, BRACKT (67004954)
20	PS400169	1	BRACKET, CONDENSER MOTOR (67004953)
21	017049-000	1	MOTOR, FAN
22	017030-000	1	BLADE, FAN
23	0170055-000	1	SHROUD
24	PS400165	3	GROMMET BRACKET (61004743)
25	017040-000	1	GASKET (61003210)
26	017050-000	1	HARNESS, UNIT W/ POWER CORD
27	017036-000	1	HARNESS, EVAP. HEATER



Ref #	Part Number	Qty.	Description
1	021899-000	1	PAN, DRAIN
2	011559-000	2	ROLLER
3	PS400192	1	BOX, HV CONTROL (67004969)
4	017124-000	1	BOARD, HV CONTROL (INC. INSTRUCTIONS)
5	017123-000	1	SPACER, HV BOX
6	PS400184	2	SCREW, HV BOX (67006550)
7	PS400189	1	COVER, HV BOX (67005421)
8	PS400190	3	SCREW, HV BOX COVER (67006615)
9	PS400129	2	SCREW, SMALL (67006425)
10	017054-000	1	HARNESS, HV BOARD
11	017078-000	1	TUBE, DISCHARGE
12	PS400166	1	CONDENSER (67006131)
13	017057-000	4	GROMMET (W10137529)
14	PS400162	2	GROMMET CONDENSER (67005680)
15	017080-000	1	BLOCK, CONDENSER
16	017043-000	4	SCREW (67006573)
17	017031-000	1	BASEPAN
18	017091-000	2	AXLE, ROLLER



Ref #	Part Number	Qty.	Description
1	PS400105	2	RAIL, SHELF SUPPORT - RH / LH (67002489)
2	PS400042	5	SCREW, SMALL (67006400)
3	PS400104	1	RAIL, SHELF SUPPORT - CENTER (67001073)
4	017090-000	2	SCREW
5	PS400074	1	GLASS, PANTRY (67002332)
6	PS400075	2	EXTRUSION, GLASS SUPPORT (67006010)
7	017110-000	2	BRACE, PANTRY
8	PS400042	1	SCREW, SMALL (67006400)
9	PS400080	1	TRACK, DELI DRAWER (67001719)
10	017083-000	1	GASKET, PANTRY
11	PS400042	1	SCREW, SMALL (67006400)
12	PS400081	1	CONTROL HOUSING (67005625)
13	PS400083	4	TEMP CONTROL SLIDE (67003793)
14	PS400076	1	END CAP, LH PANTRY
No.	PS400077	1	END CAP, RH PANTRY
15	PS400078	4	SCREW, END CAP (67006415)
16	PS400085	1	KNOB, TEMP CONTROL (67003791)
17	011574-000	2	GLIDE, PANTRY
18	PS400013	4	SCREW, DOOR STOP (67006287)
19	PS400086	1	BAR, TEMP CONTROL (67003794)
20	017082-000	1	DIVIDER, PANTRY DRAWER
21	PS400087	1	DRAWER, PANTRY (67003530)
22	PS400088	1	LID, PANTRY (67006736)
23	017125-000	1	BASKET, FREEZER (LOWER)
24	017126-000	1	DIVIDER, LOWER BASKET
25	017129-000	1	BASKET, FREEZER (UPPER)
26	017127-000	1	DIVIDER, UPPER BASKET
27	PS400069	1	FRONT, CRISPER PAN (67005926)
28	PS400071	2	CRISPER PAN (67002659)
29	PS400072	1	EXTRUSION, CRISPER FRONT (W10231489)
30	PS400068	1	FRAME, CRISPER (67006185)
31	017076-000	4	GLIDE, PANTRY DRAWER
32	PS400067	1	GLASS, CRISPER (67006655)
33	011573-000	1	GASKET
34	PS400073	1	BRACE, CRISPER
35	017089-000	1	SLIDE, HUMIDITY CONTROL



Ref #	Part Number	Qty.	Description
1	011589-000	1	HARNESS, ICE MAKER
2	017084-000	1	CLAMP
3	PS400199	2	ICE EJECTOR
4	017079-000	1	FUNNEL, FILL TUBE
5	011581-000	1	CUP, FILL
6	017116-000	1	GASKET, DOOR (APOLLO GREY)
7	PS400181	1	CLIP, SPEED (M0114003)
8	PS400178	1	INSERT, TUBE
9	017058-000	1	TUBING, PLASTIC
11	011580-000	3	MOLD & HEATER ASSEMBLY
12	011579-000	1	SCREW
13	PS400200	1	ICE STRIPPER
14	PS400202	1	IM SHUTOFF ARM (67004028)
15	017060-000	1	PAN, ICE
16	017013-000	1	SCREW (67006662)
17	PS400179	1	DUAL WATER VALVE (67006531)
18	PS400198	1	COVER, ICE MAKER (67004710)
19	011588-000	1	SCREW
20	017066-000	1	SCREW
21	011577-000	1	BRACKET, ICE MAKER
22	017062-000	1	MOTOR
23	011590-000	3	MODULE ASSEMBLY
24	011587-000	1	SCREW
25	011584-000	1	SUPPORT, HOUSING
26	011586-000	1	THERMOSTAT
27	011585-000	1	RETAINER, THERMOSTAT
No.	017061-000	1	ICEMAKER ASSY