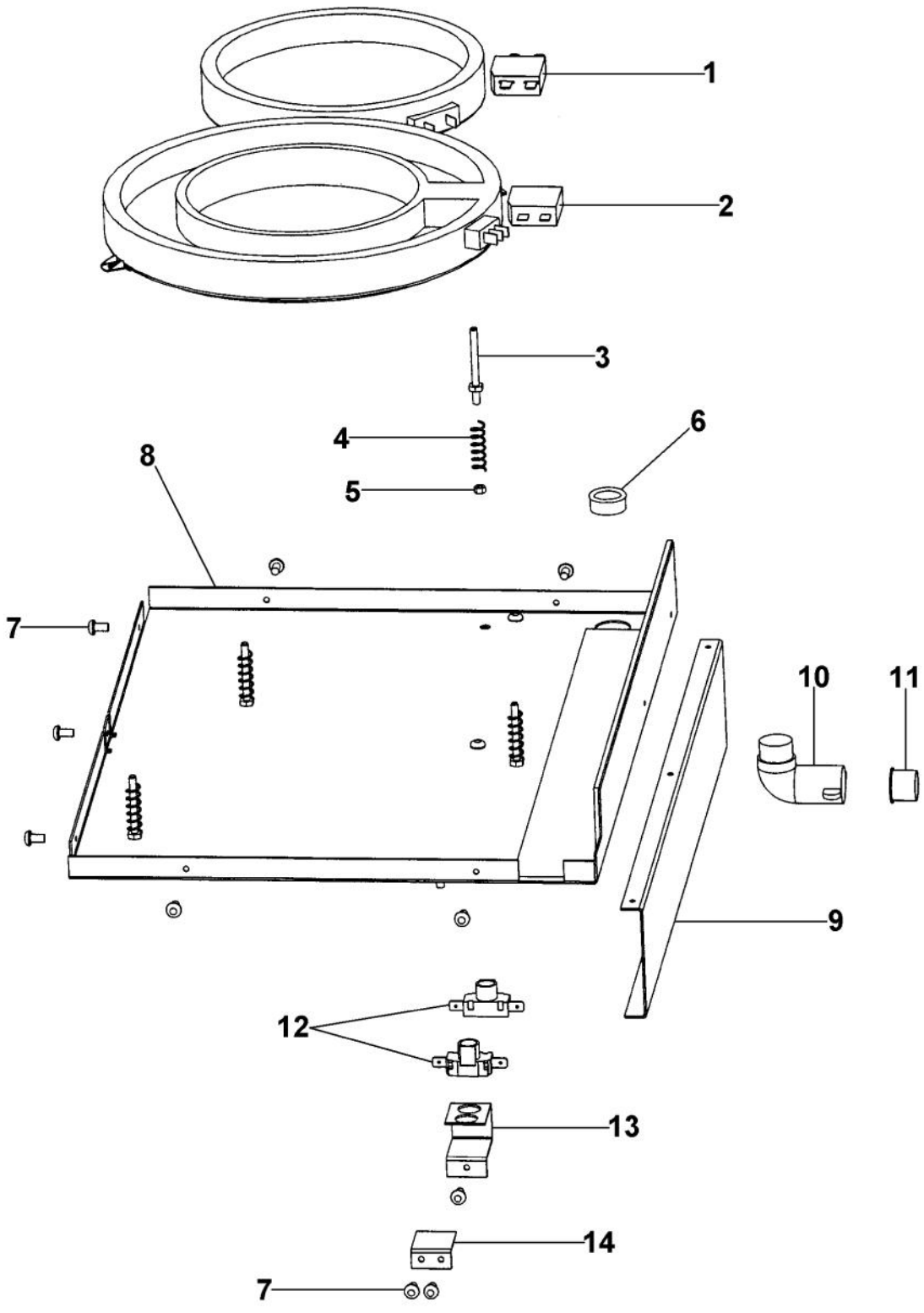
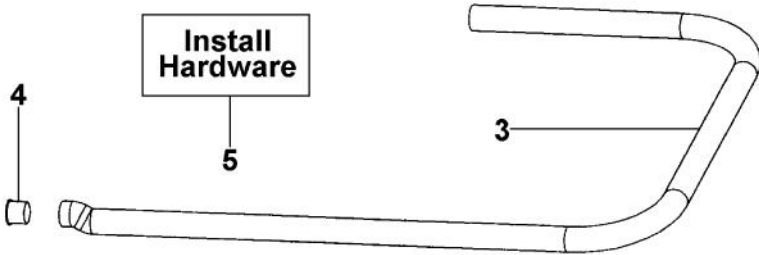
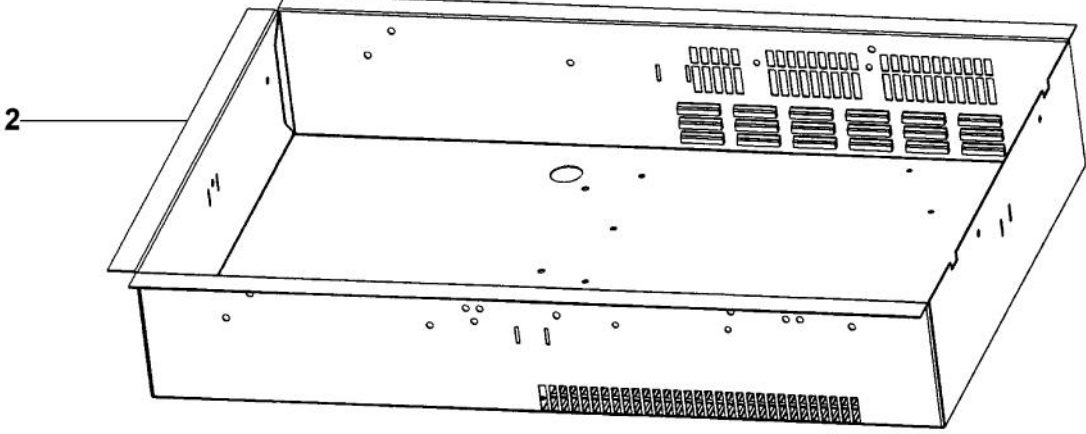
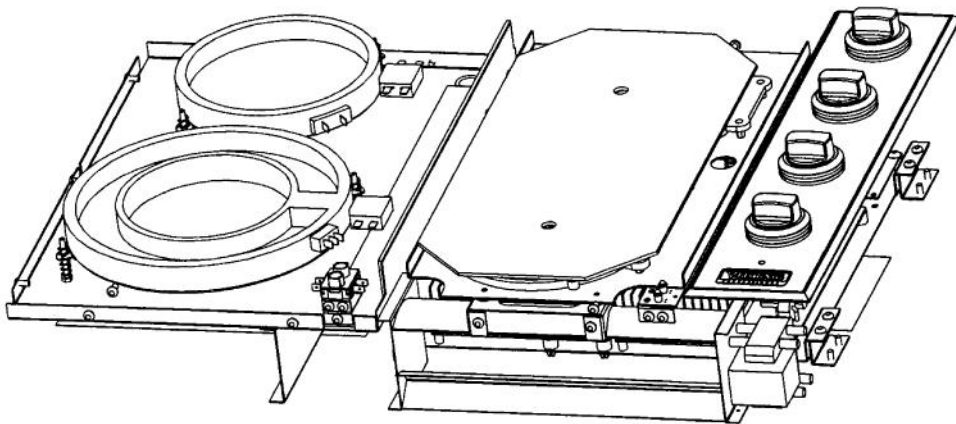
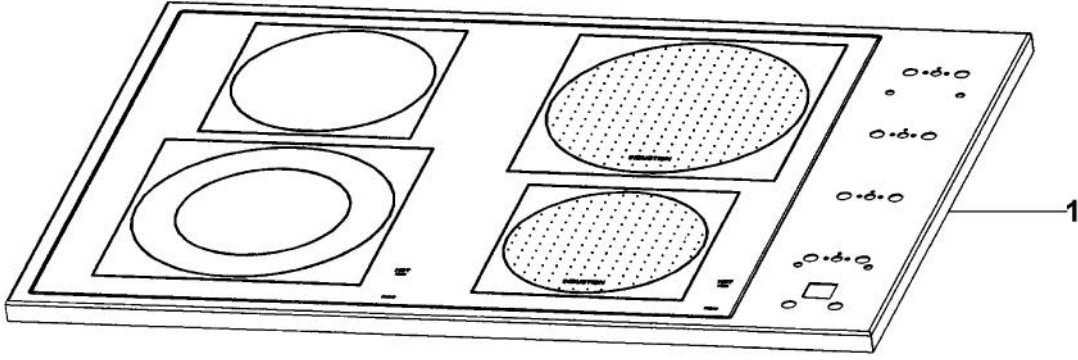


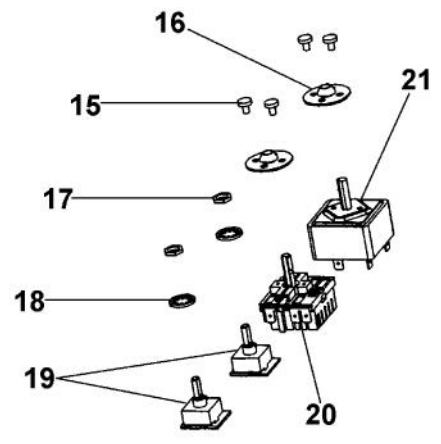
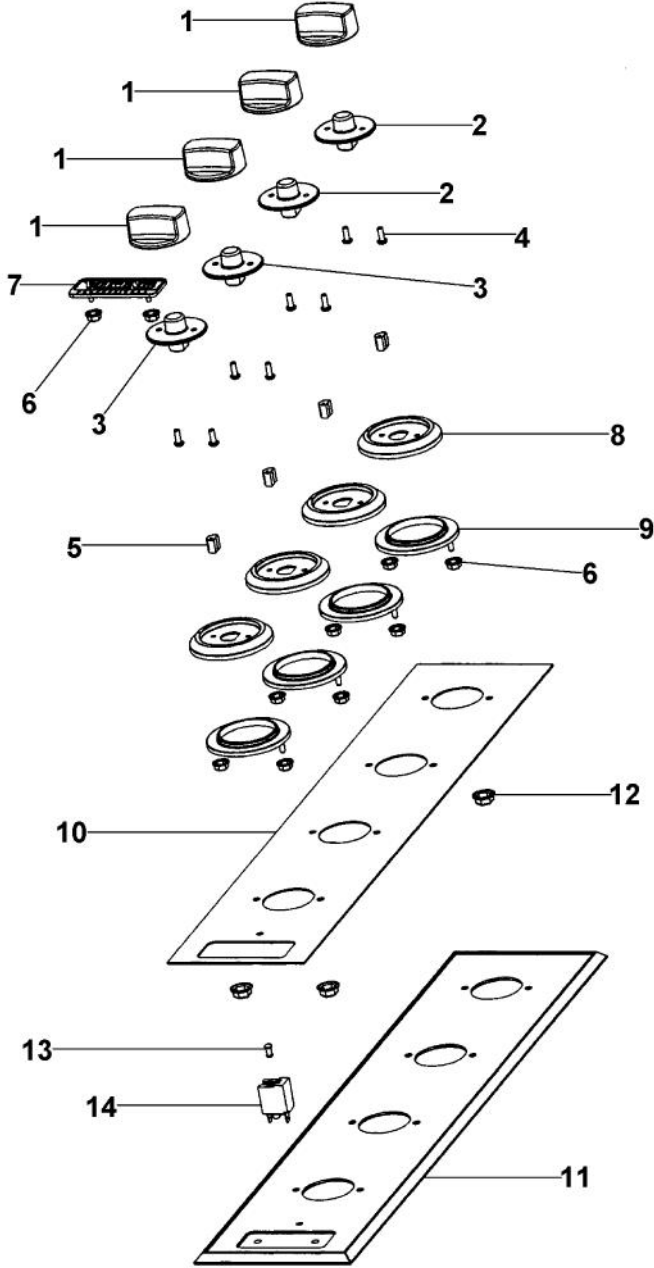
Ref #	Part Number	Qty.	Description
1	PE070769	1	COIL TRAY ASSEMBLY (71-0102)
NI	PE070632	1	PCB CONTROL BOARD
NI	PE070363	1	INDUCTION 1/2 COIL?
NI	PB070192	1	INDUCTION COIL INSULATION
2	A20014410		BURNER SUPPORT
3	PD040005		SNAP BUSHING - 7/8
4	PD040021		1/2 BUSHING (VGRC)
5	PD020004		10X3/8PH.HD.TYPE 25 REPL PD040125
6	PE070302		MIXED FUEL EMI BOARD
7	PE070301		INDUCTION FULL POWER BOARD
8	PE070485		INDUCTION HALF POWER BOARD
9	PE070231		TERMINAL BLOCK - 6 POLE (HEYCO)
10	PD020014		10X3/4 PH TR HD SMS
11	A2005084		INDUCTION TERMINAL BOARD BRACKET
12	PB070197		INDUCTION INSULATION BOARD
13	A20010651		INDUCTION BOARD BRACE
14	A20010649		INDUCTION BOARD PLATE
15	PE020047		RATING LABEL
16	A20010650		INDUCTION BOARD MOUNT
17	PE070519		INDUCTION LED ASSEMBLY (INC. HARNESS)
18	A20010645		INDUCTION LED BRACKET
19	PE070365		COOLING FAN
20	PD030033		GROMMET NUT-ROUND HD. NO.8 X .500DIA.
21	PD010003		10-24 X 1/2 PH.TR.HD.SERD.M.S.
22	PD020076		6-32 X 3/8 PHILL PAN MS
23	PE070761		INDUCTION THERMAL LIMITER
24	PS000003		THERMISTOR - 9``



Ref #	Part Number	Qty.	Description
1	PJ020003		ELEMENT
2	PJ020005		2500 ELEMENT
3	PD010048		BURNER GUIDE ASSEMBLY DESU
4	PC010006		GUIDE SPRING DESU
5	PD030012		6-32 HEX NUT
6	PD040005		SNAP BUSHING - 7/8
7	PD020004		10X3/8PH.HD.TYPE 25 REPL PD040125
8	A2005087		INDUCTION RADIANT BOX
9	A20012677		INDUCTION HEAT SHIELD
10	PB040070		CONDUIT FITTING (90 DEG)
11	PD040034		CONDUIT GROMMET (1/2)
12	PE050077		INDICATOR LIGHT
13	A2005061		LIGHT COVER
14	A2005062		LIGHT SUPPORT



Ref #	Part Number	Qty.	Description
1	G50012148		30 VCCU TOP ASSY (BLACK)
	G50012935		30 VCCU TOP ASSY (WHITE)
2	A3005085		INDUCTION BURNER BOX (VCCU105)
3	PB020071		CONDUIT - FLEXIBLE (48)
4	PD040034		CONDUIT GROMMET (1/2)
5	G50010684		30 MOUNTING HARDWARE
NI	G4003016		GREEN - SUPPLY WIRE
NI	G4003006		RED - SUPPLY WIRE
NI	G4003009		BKX- SUPPLY WIRE



Ref #	Part Number	Qty.	Description
1	PA010174		COOKTOP KNOB BLACK
	PA010175		COOKTOP KNOB (WHITE)
2	PA010179		VESC KNOB MOUNT CORE
3	PA010180		VCCU KNOB MOUNT CORE
4	PD020076		6-32 X 3/8 PHILL PAN MS
5	PC010007		KNOB SPRING (GOLD CORE KNOBS)
6	PD030006		CAPPED WASHER PAL NUT
7	PE010165		VIKING CHROME PLATE LOGO
	PE010166		VIKING LOGO BRASS
	PE010176		2.5 WHITE CHROME LOGO
	PE010177		2.5 WHITE BRASS LOGO
8	PB010263		UPPER BEZEL
	PB010263PVD		UPPER BEZEL BRASS (BLACK)
9	PB010262		LOWER BEZEL
10	PE040255		30 VCCU INLAY
	PE040269		VCCU 30 CONTROL PANEL INLAY WHITE GRAPHICS
11	PE040253		VECU 30 CONTROL PANEL
	PE040253PVD		VECU 30 CONTROL PANEL XPVDX
12	PD030137		CAPPED WASHER PAL NUT
13	PE050187		POWER LIGHT LENS
14	PE050079		LENS OPENING
15	PD020044		NO.8-32 X 1/4 PH. TR. HD. M.S.
16	PB070078		SILICONE GASKET (DESU)
17	PD030114		INDUCTION CONTROL NUT
18	PD040117		10 MM WASHER
19	PE070364		POT ASSY - GRAY 28.5 (12-4200) (INC. HARNESS)
20	PJ030028		DUAL INFINITE SWITCH
21	PJ030019		INFINITE SWITCH

*No Image
Available*

Ref #	Part Number	Qty.	Description
NI	G4003016	1	GREEN - SUPPLY WIRE
NI	G4003006	1	RED - SUPPLY WIRE
NI	G4003009	1	BKX- SUPPLY WIRE