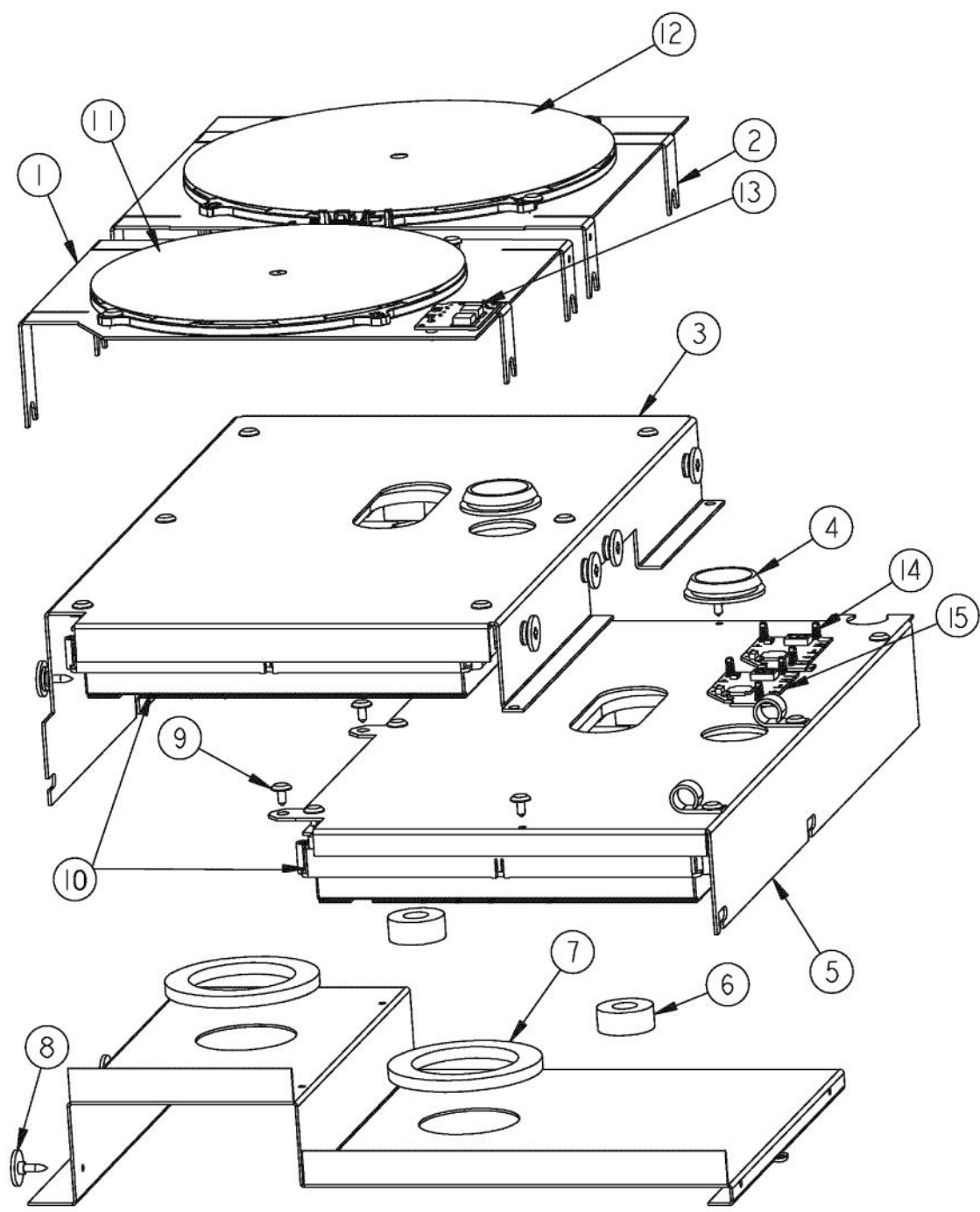


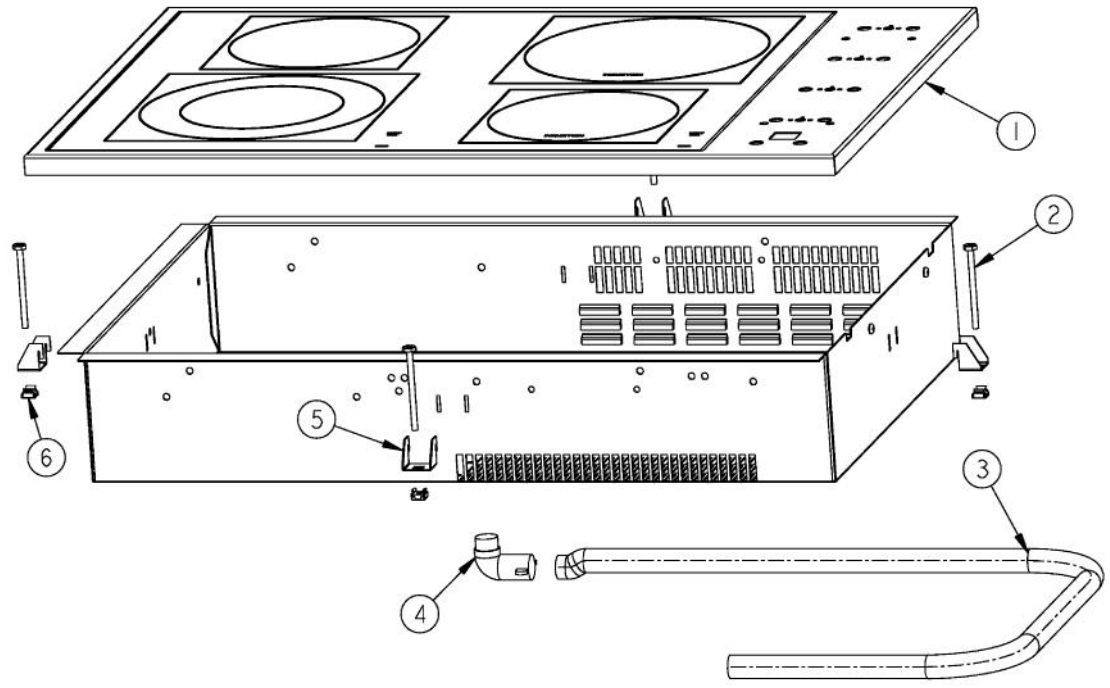
Ref #	Part Number	Qty.	Description
1	PE010191		2 1/2 VIKING LOGO BLACK/CHROME
	PE010166		VIKING LOGO BRASS
	PE010176		2.5 WHITE CHROME LOGO
	PE010177		2.5 WHITE BRASS LOGO
2	PE050187		POWER LIGHT LENS
3	PB010262		LOWER BEZEL
4	G50012165BK		INDUCTION KNOB BEZEL ASSY XBKX
	G50012165BKBBR		INDUCTION KNOB ASSEMBLY - BK / BR
	G50012165WH		INDUCTION KNOB BEZEL ASSY XWHX
	G50012165WHBBR		INDUCTION KNOB ASSEMBLY - WH / BR
5	G50012164BK		INFINITE KNOB BEZEL ASSY XBKX
	G50012164BKBBR		RADIANT KNOB ASSEMBLY - BK / BR
	G50012164WH		INFINITE KNOB BEZEL ASSY XWHX
	G50012164WHBBR		RADIANT KNOB ASSEMBLY - WH / BR
6	PE040340		VCCU PANEL GRAPHICS INLAY 30 BK
	PE040343		VCCU PANEL GRAPHICS INLAY 30 WH
7	PD020044		NO.8-32 X 1/4 PH. TR. HD. M.S.
8	PB070078		SILICONE GASKET (DESU)
9	PJ030019		INFINITE SWITCH
10	PE040253		VECU 30 CONTROL PANEL
11	PD030006		CAPPED WASHER PAL NUT
12	PD030137		CAPPED WASHER PAL NUT
13	PE050079		LENS OPENING
14	003225-000		ROTARY INDUCTION CONTROL
15	PD030114		INDUCTION CONTROL NUT
16	PD040117		10 MM WASHER
17	PJ030028		DUAL INFINITE SWITCH



Ref #	Part Number	Qty.	Description
1	003149-000		180MM COIL ASSY
2	003153-000		210MM COIL ASSY
3	003158-000		UPPER GENERATOR ASSY
4	PB070320		SILICONE EXTRUSION
5	003157-000		LOWER GENERATOR ASSY
6	003592-000		CASED CORE
7	003820-000		INDUCTION FAN SEAL
8	PD020151		SHOULDER SCREW
9	PD020032		SRW-8(A)X3/8PH.WFR HD 7/16DIAXNICL
10	003133-000	2	COOKTOP, GEN (SEE BOARD COMPONENTS PAGE FOR INDIVIDUAL PARTS)
11	003134-000	1	COIL, IND, 180MM
12	003135-000	1	COIL, IND, 210MM
13	003136-000	1	INDICATOR, IND, RED
14	003154-042	1	INDUCTION ADAPTOR COIL, 210MM
15	003154-041		INDUCTION ADAPTOR COIL, 180MM

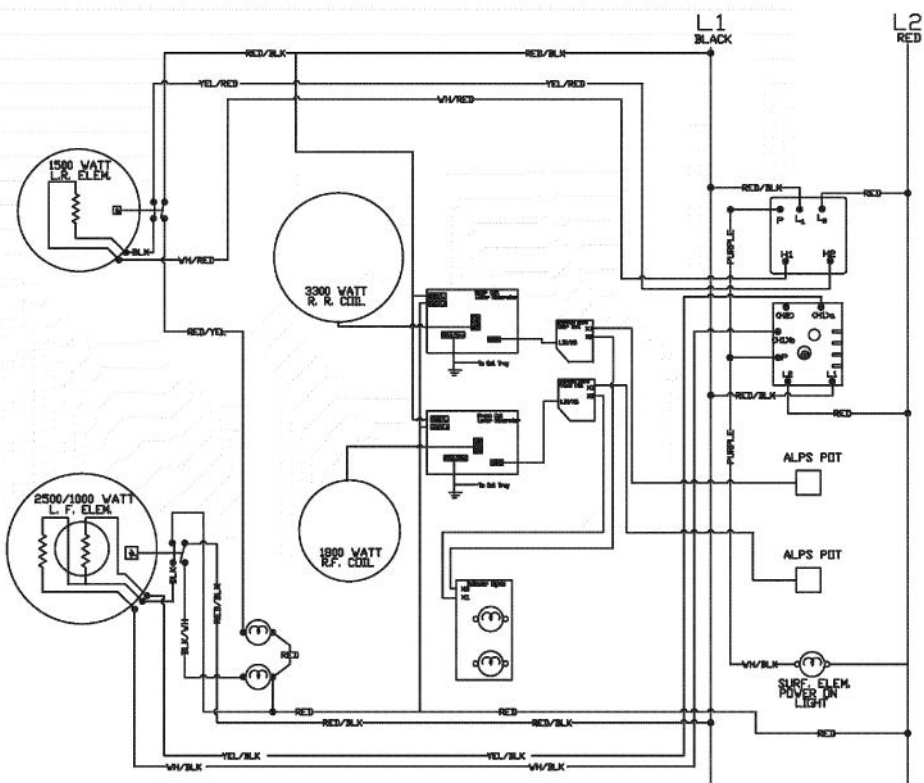


Ref #	Part Number	Qty.	Description
1	PJ020005		2500 ELEMENT
2	PJ020003		ELEMENT
3	PD040005		SNAP BUSHING - 7/8
4	PE070231		TERMINAL BLOCK - 6 POLE (HEYCO)
5	PD020004		10X3/8PH.HD.TYPE 25 REPL PD040125
6	A2005084		INDUCTION TERMINAL BOARD BRACKET
7	PD020014		10X3/4 PH TR HD SMS
8	A2005062		LIGHT SUPPORT
9	A2005061		LIGHT COVER
10	PE050077		INDICATOR LIGHT
11	PB070197		INDUCTION INSULATION BOARD
12	PD030012		6-32 HEX NUT
13	PD010148		ELEMENT STUD
14	PC010006		GUIDE SPRING DESU
15	PM010494		CERAMASPEED BRACKET



Ref #	Part Number	Qty.	Description
1	G50012148 G50012935		30 VCCU TOP ASSY (BLACK) 30 VCCU TOP ASSY (WHITE)
2	PD020123		BOLT 1/4-20 X 3 HEX HD
3	PB020071		CONDUIT - FLEXIBLE (48)
4	PB040070		CONDUIT FITTING (90 DEG)
5	A2005721		MOUNT BRACKET (DECU)
6	PD030029		SELF RETAINING NUT (1/4-20)





FOR CONNECTION TO THE FACTORY INSTALLED TERMINAL BLOCK USE COPPER OR ALUMINUM CONDUCTORS

**WARNING**-THIS UNIT MUST BE GROUNDING. SEE INSTALLATION INSTRUCTIONS FOR PROPER GROUNDING PROCEDURES.

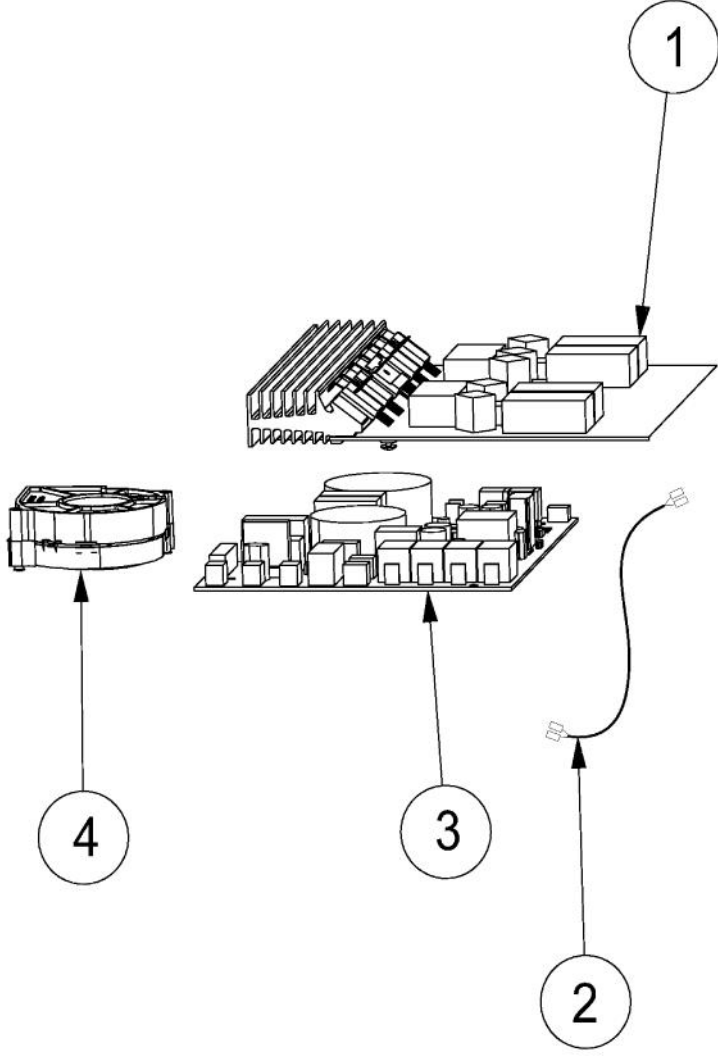
**CAUTION**- LABEL ALL WIRES PRIOR TO DISCONNECTION WHEN SERVICING. CONTROLS WIRING ERRORS CAN CAUSE IMPROPER AND DANGEROUS OPERATION. VERIFY PROPER OPERATION AFTER SERVICING.

NOTE: TO BE PRINTED WITH BLACK INK ON 11" X 17" NON ADHESIVE PAPER.

Ref #	Part Number	Qty.	Description
-------	-------------	------	-------------

*No Image  
Available*

Ref #	Part Number	Qty.	Description
NI	PE070562	1	RED WIRE (8 GA. SF-2 200 DEG.C 600V)
NI	PE070563	1	BKX WIRE (8 GA.SF-2 200DEG.C600V)
NI	G4003016	1	GREEN - SUPPLY WIRE



Ref #	Part Number	Qty.	Description
1	0015132-000	1	POWER BOARD KIT - 3.2KW
2	015129-000	1	CABLE KIT
3	015131-000	1	FILTER BOARD KIT - 3.2KW
4	015127-000	1	FAN KIT