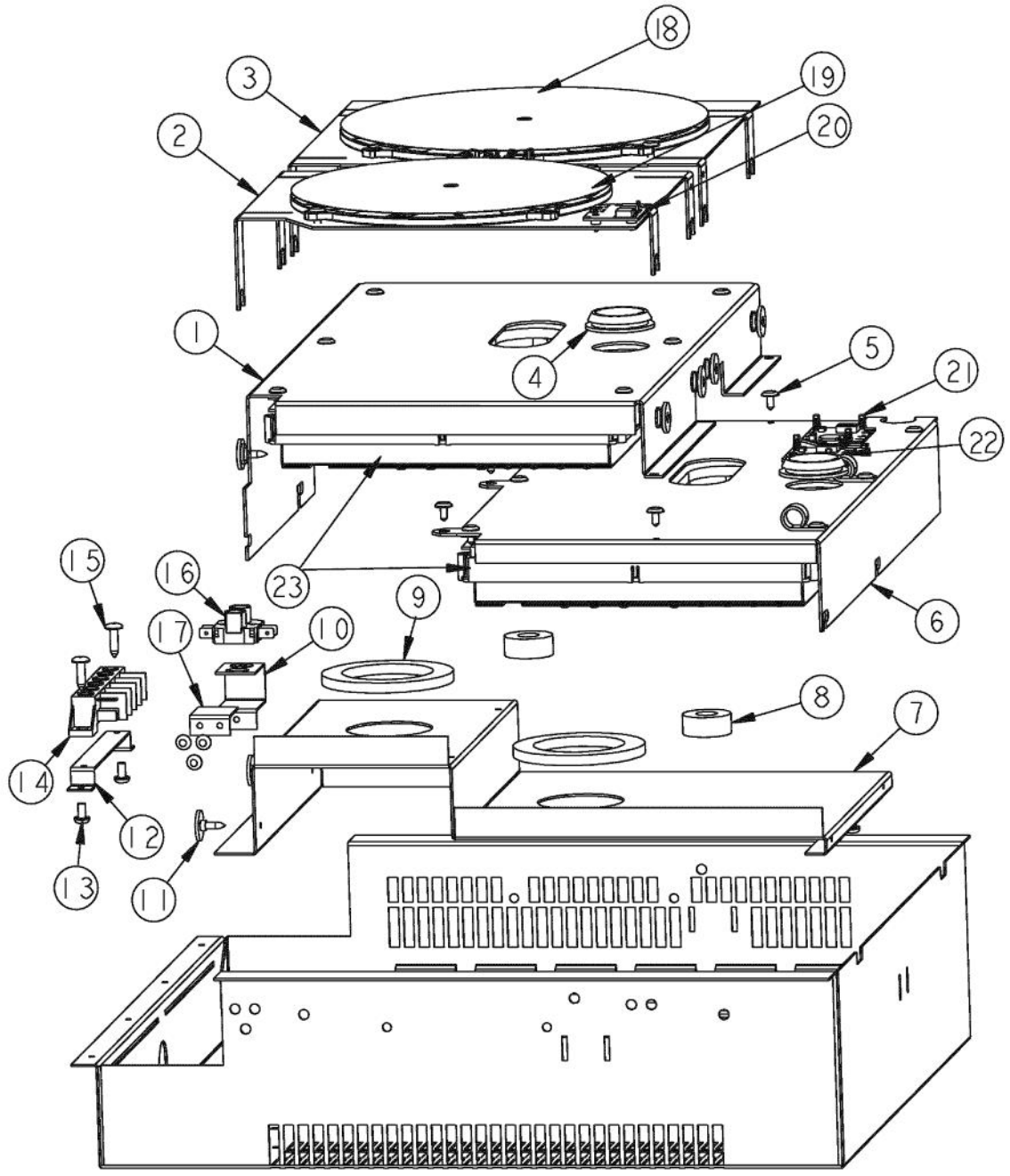
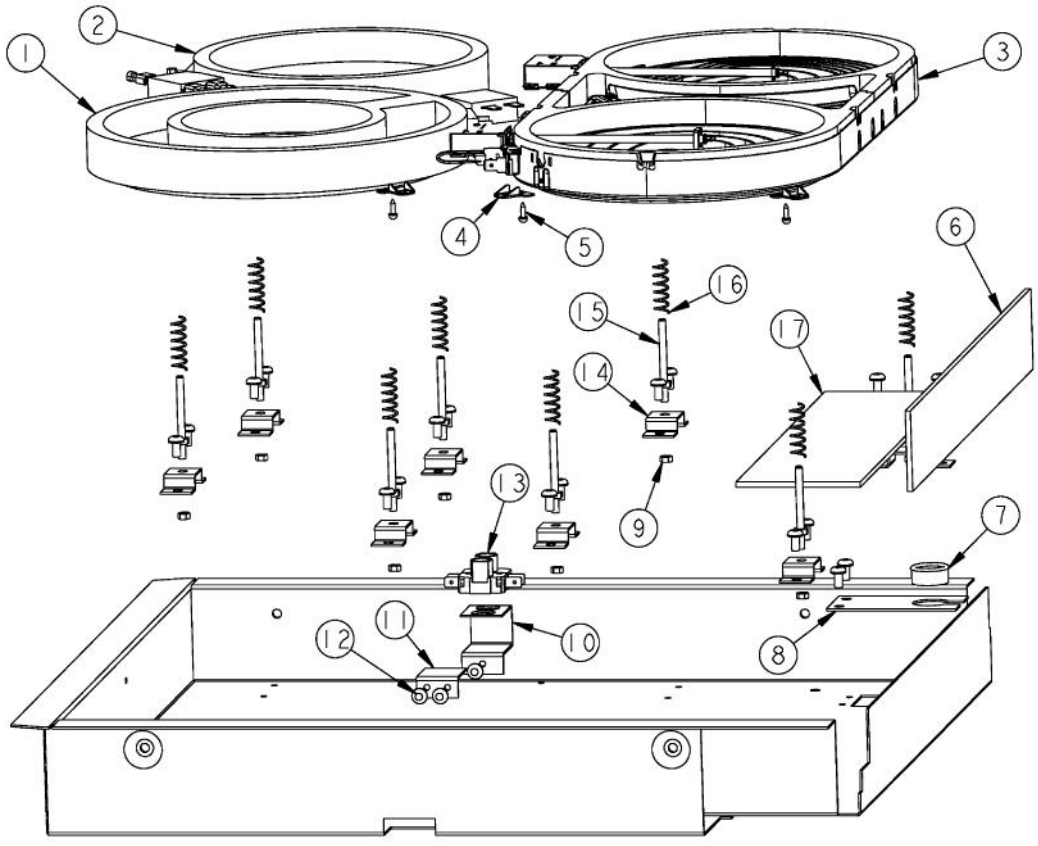


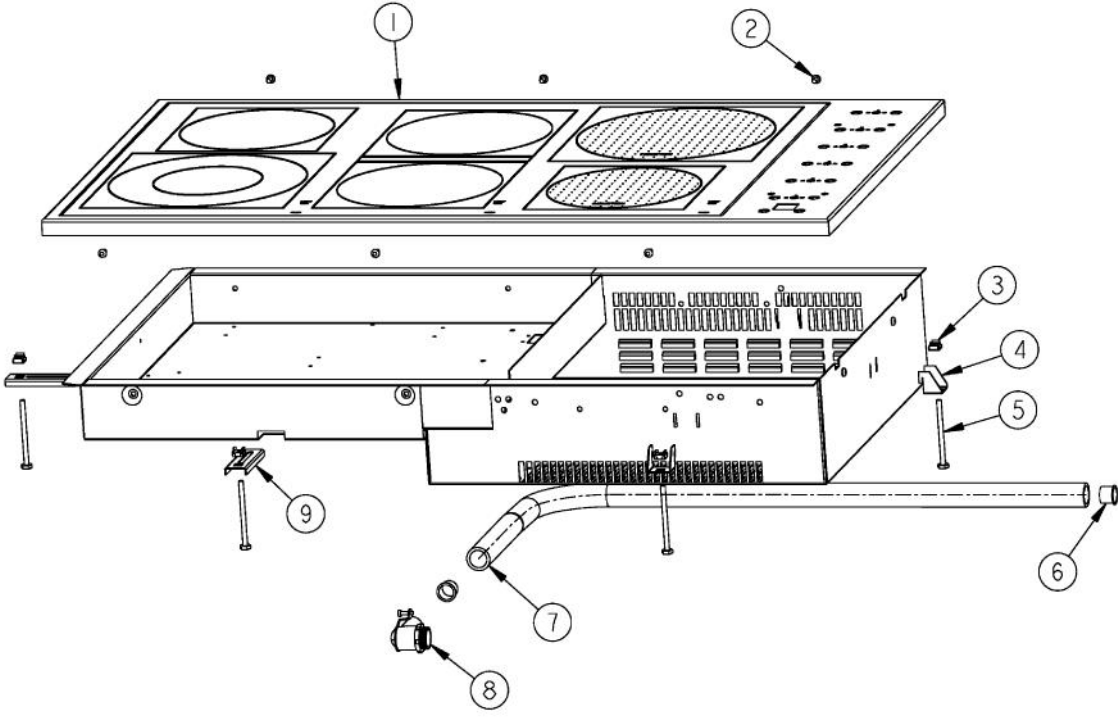
Ref #	Part Number	Qty.	Description
1	PE040334		VCCU PANEL GRAPHICS INLAY 36 BK
1	PE040337		VCCU PANEL GRAPHICS INLAY 36 WH
2	PE010191		2 1/2 VIKING LOGO BLACK/CHROME
2	PE010192		2 1/2 VIKING LOGO BLACK/BRASS
2	PE010193		2 1/2 VIKING LOGO WHITE/CHROME
2	PE010194		2 1/2 VIKING LOGO WHITE/BRASS
3	PE050187		POWER LIGHT LENS
4	G50012165BK		INDUCTION KNOB BEZEL ASSY XBKX
4	G50012165BKBR		INDUCTION KNOB BEZEL ASSY XBKBRX
4	G50012165WH		INDUCTION KNOB BEZEL ASSY XWHX
4	G50012165WHBR		INDUCTION KNOB BEZEL ASSY XWHBRX
5	G50012164BK		INFINITE KNOB BEZEL ASSY XBKX
5	G50012164BKBR		INFINITE KNOB BEZEL ASSY XBKBRX
5	G50012164WH		INFINITE KNOB BEZEL ASSY XWHX
5	G50012164WHBR		INFINITE KNOB BEZEL ASSY XWHBRX
6	PB010262		LOWER BEZEL
7	PE040251		36 ELECTRIC CONTROL PANEL
8	PD030137		CAPPED WASHER PAL NUT
9	PD030114		INDUCTION CONTROL NUT
10	PD040117		10 MM WASHER
11	003225-000		ROTARY INDUCTION CONTROL
12	PJ030028		DUAL INFINITE SWITCH
13	PJ030019		INFINITE SWITCH
14	PE050079		LENS OPENING
15	PB070078		SILICONE GASKET (DESU)
16	PD020044		NO.8-32 X 1/4 PH. TR. HD. M.S.
17	PD030006		CAPPED WASHER PAL NUT
18	003135-000	1	COIL, IND, 210MM
19	003134-000	1	COIL, IND, 180MM
20	003136-000	1	INDICATOR, IND, RED
21	003154-042	1	INDUCTION ADAPTOR COIL, 210MM
22	003154-041	1	INDUCTION ADAPTOR COIL, 180MM
23	003133-000	2	COOKTOP, GEN (SEE BOARD COMPONENTS PAGE FOR INDIVIDUAL PARTS)



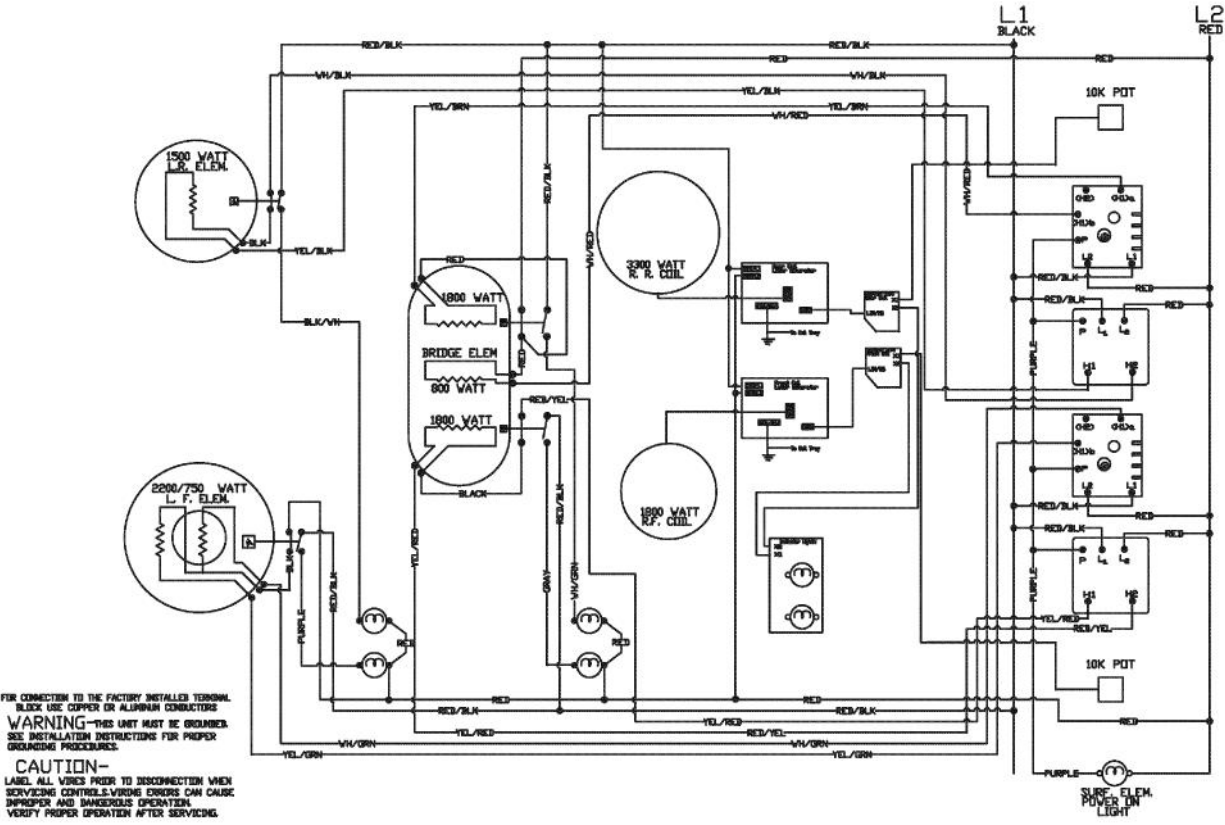
Ref #	Part Number	Qty.	Description
1	003158-000		UPPER GENERATOR ASSY
2	003149-000		180MM COIL ASSY
3	003153-000		210MM COIL ASSY
4	PB070320		SILICONE EXTRUSION
5	PD020032		SRW-8(A)X3/8PH.WFR HD 7/16DIAXNICL
6	003157-000		LOWER GENERATOR ASSY
7	001846-000		FAN SHROUD
8	003592-000		CASED CORE
9	003820-000		INDUCTION FAN SEAL
10	A2005061		LIGHT COVER
11	PD020151		SHOULDER SCREW
12	A2005084		INDUCTION TERMINAL BOARD BRACKET
13	PD020004		10X3/8PH.HD.TYPE 25 REPL PD040125
14	PE070321		RANGE PREHEAT HARNESS
15	PD020014		10X3/4 PH TR HD SMS
16	PE050077		INDICATOR LIGHT
17	A2005062		LIGHT SUPPORT
18	003135-000		COIL, IND, 210MM
19	003134-000		COIL, IND, 180MM
20	003136-000		INDICATOR, IND, RED
21	003154-042		INDUCTION ADAPTOR COIL, 210MM
22	003154-041		INDUCTION ADAPTOR COIL, 180MM
23	003133-000		COOKTOP, GEN



Ref #	Part Number	Qty.	Description
1	PJ020002		ELEMENT 2200 (750)
2	PJ020003		ELEMENT
3	PJ020004		ELEMENT-(2)1800 X 800
4	PM010494		CERAMASPEED BRACKET
5	PD020013		TYPE AB NO.6 X 3/8 PH PAN HD. SMS
6	PB070197		INDUCTION INSULATION BOARD
7	PD040005		SNAP BUSHING - 7/8
8	A10010652		ROUTING PLATE
9	PD030012		6-32 HEX NUT
10	A2005061		LIGHT COVER
11	A2005062		LIGHT SUPPORT
12	PD020004		10X3/8PH.HD.TYPE 25 REPL PD040125
13	PE050077		INDICATOR LIGHT
14	A2005055		BOTTOM ELEMENT BRACKET (VESU)
15	PD010148		ELEMENT STUD
16	PC010006		GUIDE SPRING DESU
17	PB070198		INDUCTION INSULATION BOARD



Ref #	Part Number	Qty.	Description
1	G50012149		36 VCCU TOP ASSY (BLACK)
1	G50012936		36 VCCU TOP ASSY (WHITE)
2	PD020004		10X3/8PH.HD.TYPE 25 REPL PD040125
3	PD030029		SELF RETAINING NUT (1/4-20)
4	A2005721		MOUNT BRACKET (DECU)
5	PD020123		BOLT 1/4-20 X 3 HEX HD
6	PD040131		CONDUIT GROMMET (3/4)
7	PB020259		3/4 CONDUIT
8	PB040259		90 DEG. 3/4 CONDUIT FITTING
9	A2003053		RET.BRKT VGSU101 REPL PG210006



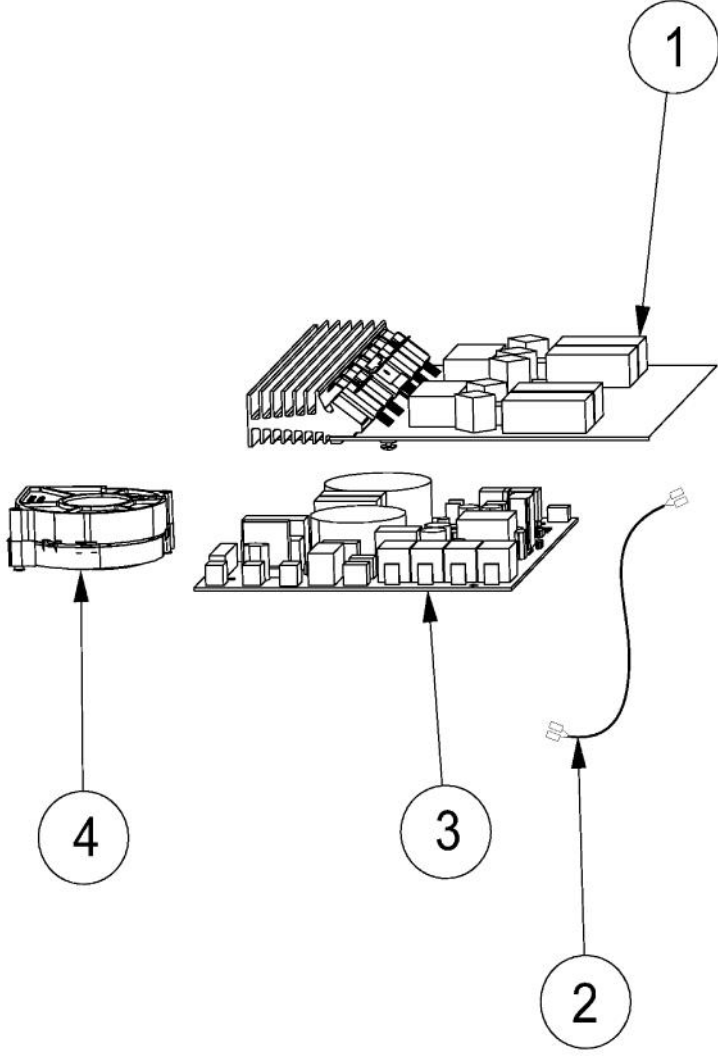
FOR CONNECTION TO THE FACTORY INSTALLED TERMINAL BLOCK USE COPPER OR ALUMINUM CONDUCTORS
WARNING—THIS UNIT MUST BE GROUNDLED. SEE INSTALLATION INSTRUCTIONS FOR PROPER GROUNDING PROCEDURES.

CAUTION—LABEL ALL WIRES PRIOR TO DISCONNECTION WHEN SERVICING CONTROLS. WIRING ERRORS CAN CAUSE IMPROPER AND DANGEROUS OPERATION. VERIFY PROPER OPERATION AFTER SERVICING.

Ref #	Part Number	Qty.	Description
-------	-------------	------	-------------

*No Image
Available*

Ref #	Part Number	Qty.	Description
NI	PE070456	1	36 4/2 INDUCTION HARNESS
NI	G4003016	1	GREEN - SUPPLY WIRE



Ref #	Part Number	Qty.	Description
1	0015132-000	1	POWER BOARD KIT - 3.2KW
2	015129-000	1	CABLE KIT
3	015131-000	1	FILTER BOARD KIT - 3.2KW
4	015127-000	1	FAN KIT