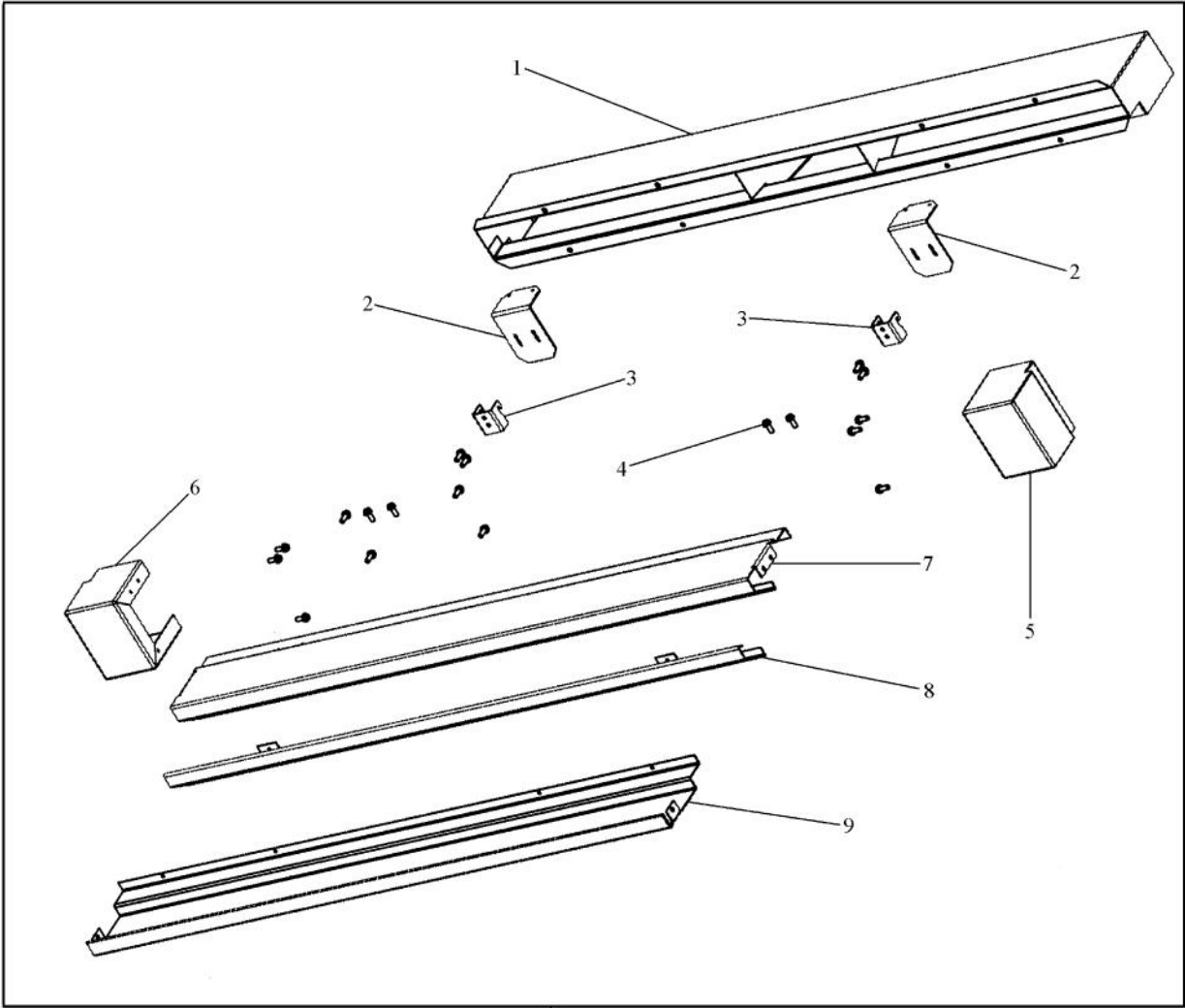
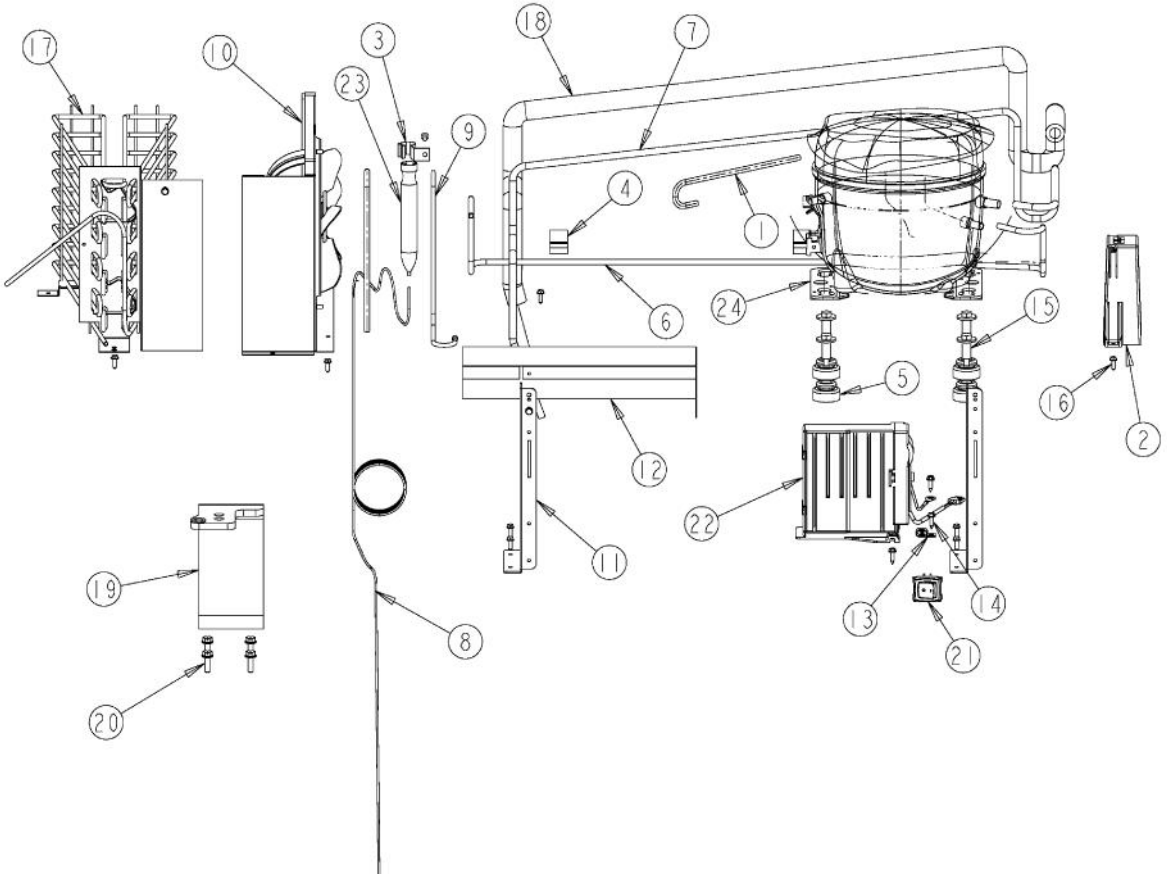


Ref #	Part Number	Qty.	Description
1	L2099492		BRACKET LIGHT SXS 48 FF
2	A3079001		LAMP - 40W
3	PE950125		LIGHT SOCKET
4	PK930268		COVER LIGHT ASM AF AR 30 SXS 48 FF
5	PM910282		LADDER SIDE
6	PM910285		LADDER CENTER
7	PM910298		SUB TO PM910405 - SHELF WIRE FZ
8	G50911931		SHELF ICE ASM UPPER AF 30
9	K20911929		BRACKET ICE SHELF R
10	K20911928		BRACKET ICE SHELF L
11	C20911142		PLATE IM MOUNT AF 30
12	G50911858		ICE MAKER ASM, SXS ND, AF
13	G50911176		BRKT SIDE GLIDE MOUNT ASM
14	PM910417		SLIDE 3 MEMBER 12 IN W/ LVR DISCONNECT
15	G50911181		TRIM ASM SIDE AF 36 30
16	G50911316		DRAWER ICE ASM AF 30
17	G50911315		DRAWER BASKET ASM AF 30

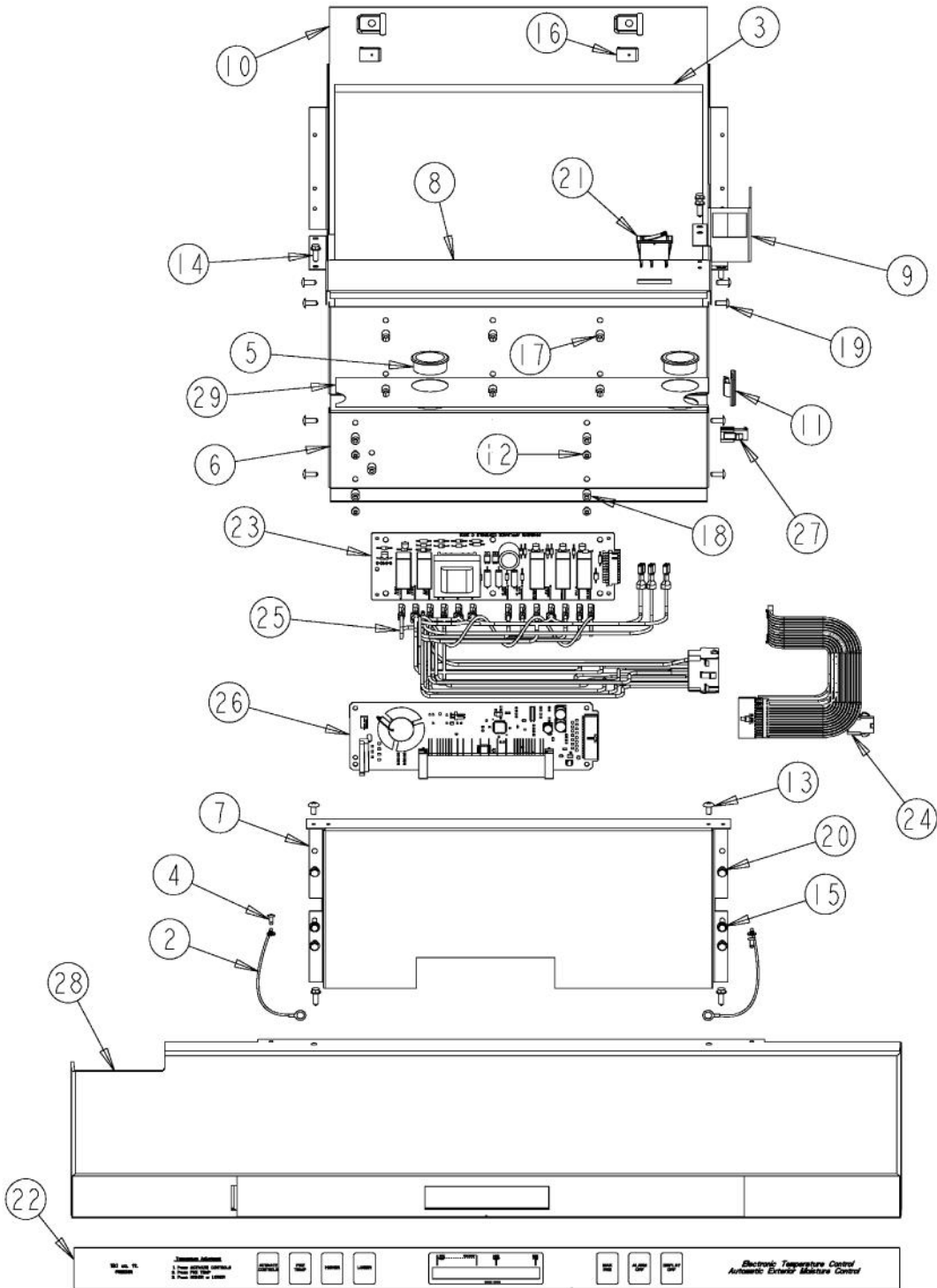


10

Ref #	Part Number	Qty.	Description
1	G90911117BK G9099202BK		AIR DUCT ASM COMPLETE AF AR 36 XBKX AIR DUCT WELD ASM COMPLETE 30 XBKX
2	B2096962		BRACKET-LOUVER SUP
3	B2096961		BRACKET-LOUVER
4	M0220417		SCREW-TC
5	B20911802 B20911801		GRILL ENDCAP PRO R GRILL ENDCAP PRO L
6	B2099013 B2099012		ENDCAP PRO RH NONHINGE ENDCAP PRO LH NONHINGE
7	B20910754		GRILLE LOUVER TOP 30 PRO
8	B20910755		GRILLE LOUVER MID 30 PRO
9	B20910756		GRILLE LOUVER BOT 30 PRO
10	G32910757 G32911376		GRILLE ASM AF AR 30 PRO GRILLE ASM AF AR 30 PRO LH

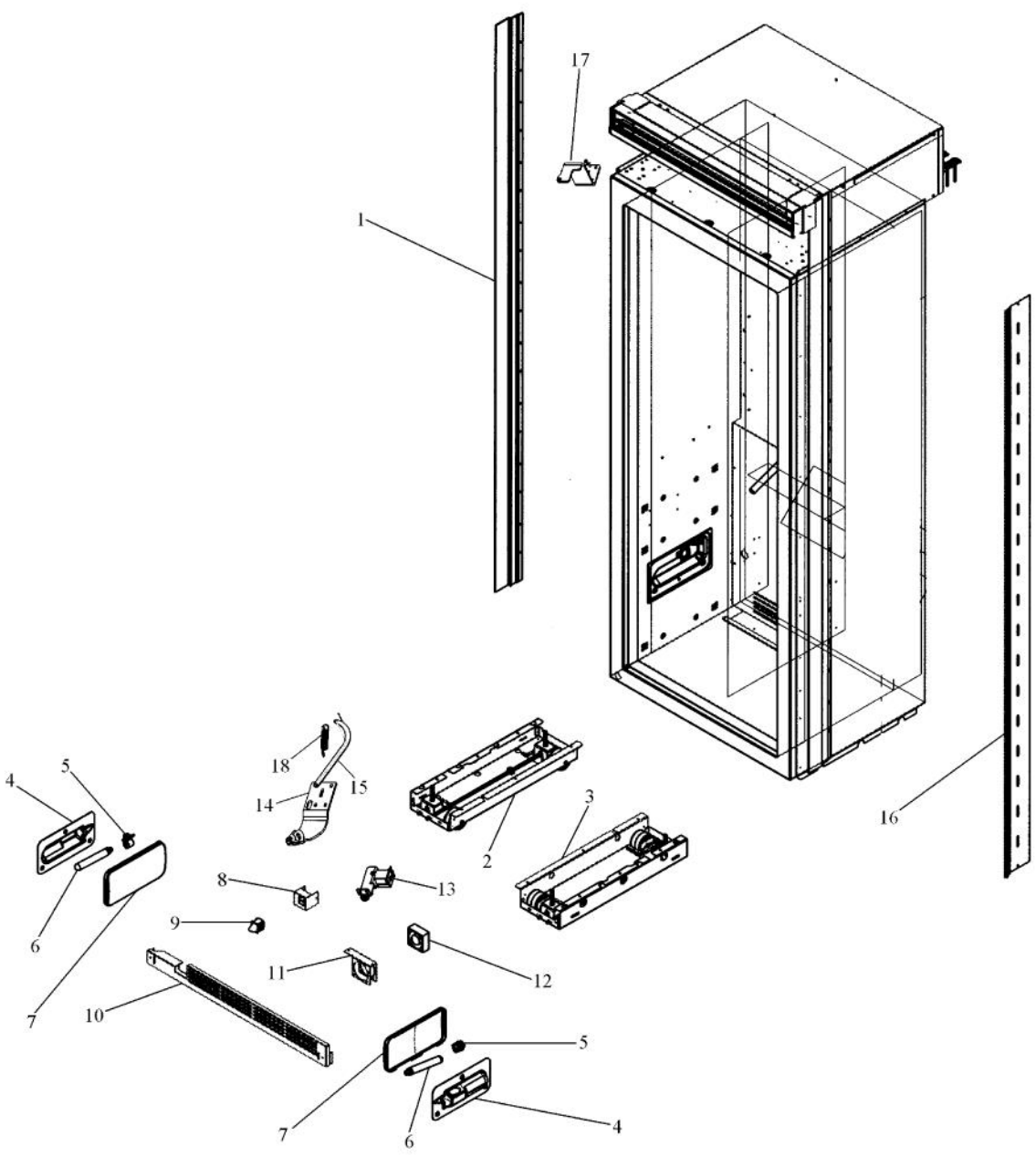


Ref #	Part Number	Qty.	Description
1	F2096507		TUBE-PROCESS GRN
2	PE970608		POWER SUPPLY 24 VDC 15 W
3	10547001		CLIP-DRIER V10547001
4	10835901		GROMMET RUBBER V10835901
5	F20910737		TUBE DISCHARGE AF AR 36
6	F2096504		TUBE-DRIER EXT
7	G5096494		COND. FAN ASSY
8	K20912569		BRACKET GRILLE SUPPORT
9	K20912570		DIVERTER AIR HI SIDE 30
10	M0103904		CLAMP-SPEED
11	M0211018		SCREW-SM
12	M0221523		SCREW - SHLDR
13	PB920171		CONDENSER ASM
14	PC920204		HINGE ASM UL
	PC920203		HINGE ASM UR
15	PD020194		SCREW-SM
16	PD940088		SCREW, 1/4 X 20 HEX WASHER SERRATED
17	PE950149		SWITCH POWER
18	PE970449		INVERTER ASSEMBLY
19	G5097976		COMPRESSOR ASSEMBLY (363 AND 483)
20	10743201		DRIER, HI SIDE

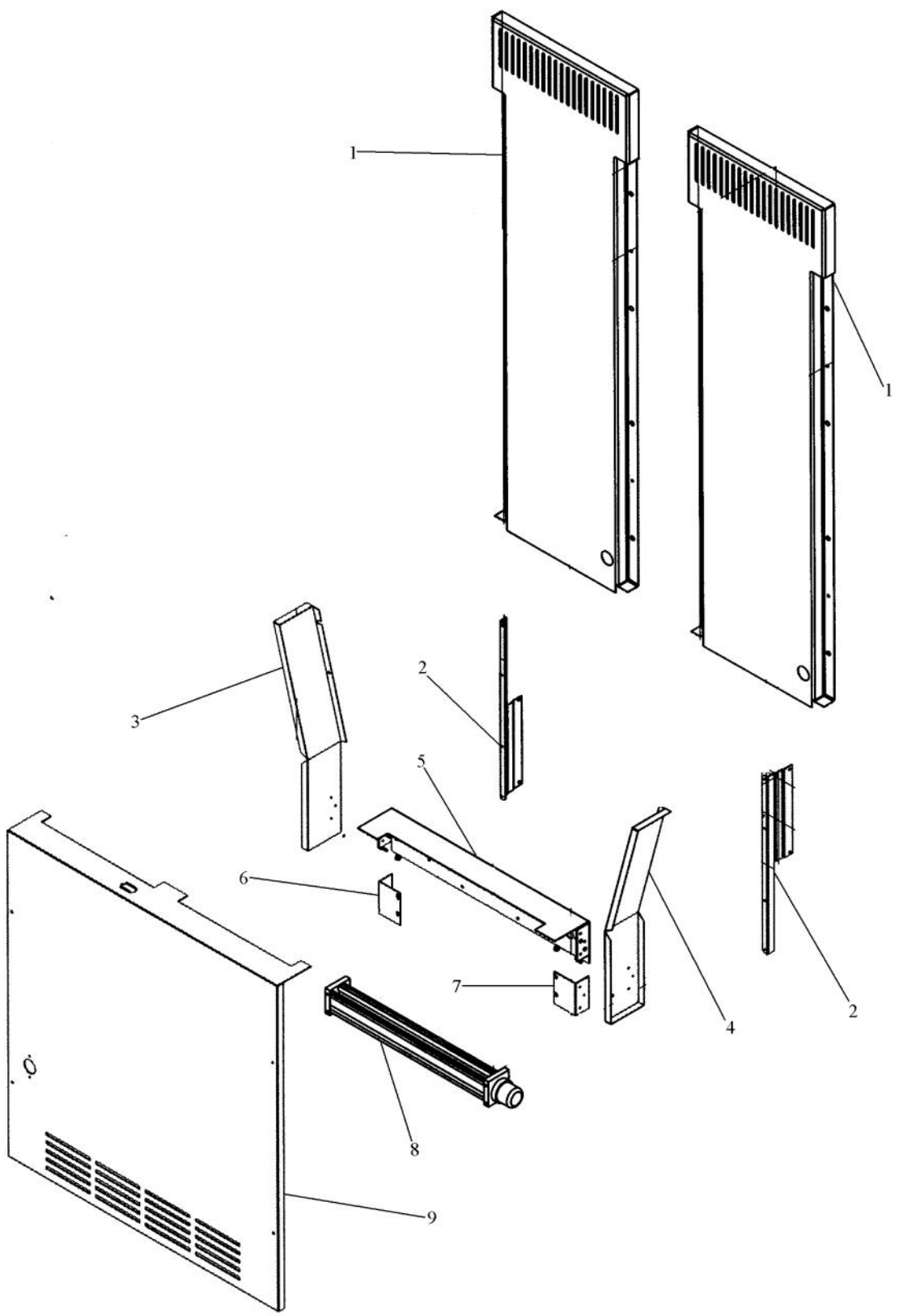


Ref #	Part Number	Qty.	Description
1	10916507		TUBE-PROCESS GRN
2	12064001		SUPP-CONT PANEL
3	12074703		INSUL-CONT BOX V12074703
4	A4539601		SUB TO PC040010 - RIVET-POP VA4539601
5	A4554817		BUSHING-SNAP VA4554817
6	K20910060		BRACKET - PC
7	K20610061		FRONT, CONTROL BOX
8	K20910062		CONTROL BOX TOP
9	K2098654		BRACKET SWITCH POWER
10	K2099402		CONTROL BOX
11	M0104106		CLIP-CORD VM0104106
12	M0217204		SCREW, SM
13	M0224128		SCREW-SM
14	M0238616		SCREW-SM
15	M0238846		SCREW-SHLDR
16	M0288120		NUT-SPEED, VM0288120
17	M0585504		SUPPORT
18	M0585506		SUPPORT
19	PC040010		POP RIVET
20	PD020194		SCREW-SM
21	PE950150		SPDT ROCKER SW. W/LEGEND
22	PE950182		OVERLAY SWITCH AF 30
23	G50911836		HIGH VOLTAGE BOARD (BEFORE 01/22/05)
	PE970463		POWER CONTROL BOARD
24	PE970464		HARNESS LOW VOLT
25	PE970465		HARNESS HIGH VOLT
26	PE970603		LOW VOLTAGE BOARD
			LOW VOLTAGE BOARD (AFTER 01/22/05)
27	PE970609		HARNESS CONTROL BOARD
28	PK930220		PANEL COVER CONTROL
	PK930332		PANEL CONTROL AF 30 R
29	PM910325		FILM PROTECTIVE

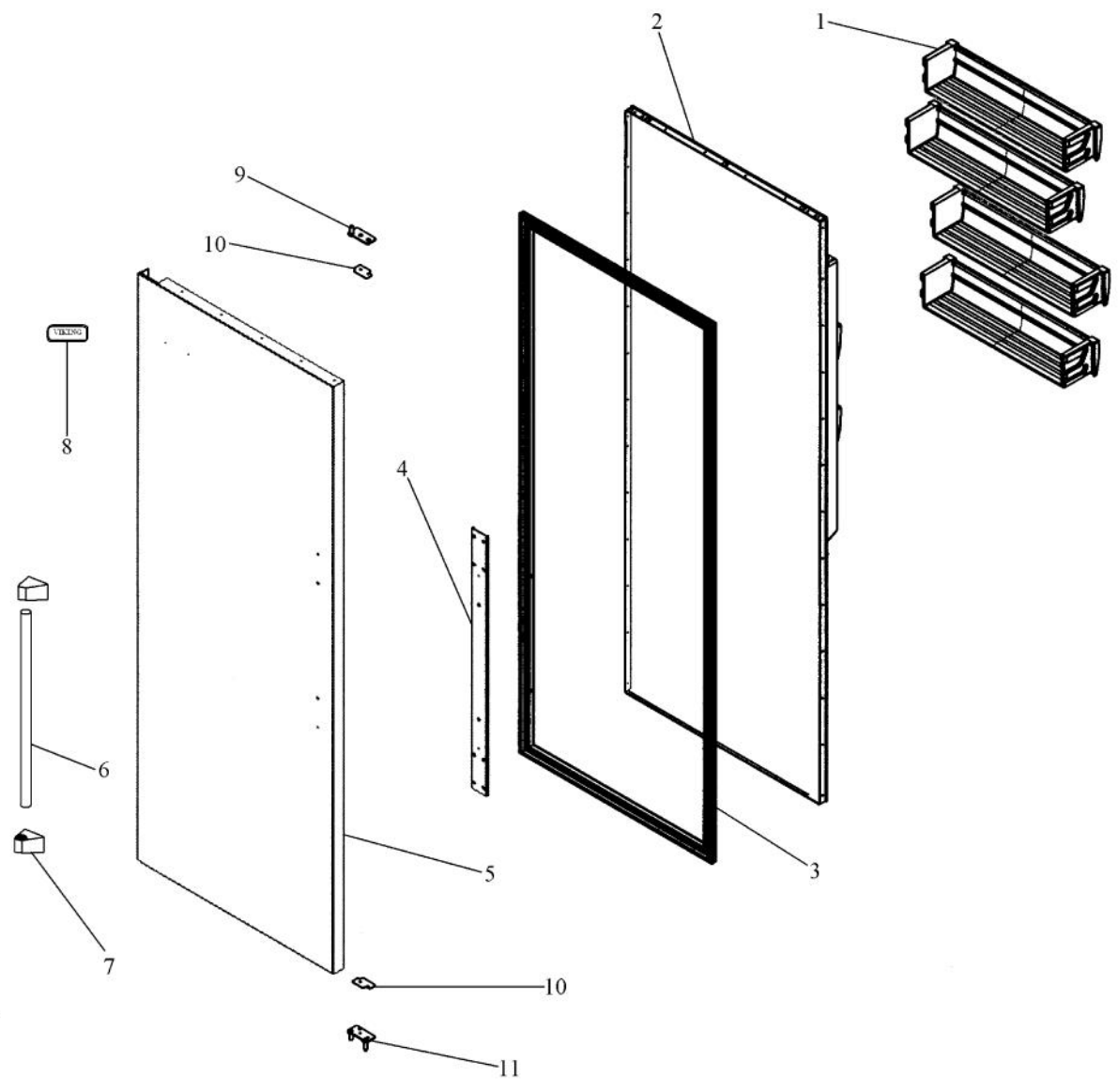




Ref #	Part Number	Qty.	Description
1	B2098350		SIDE TRIM - WC PRO LH
2	PM910399		LEVELER MODULE L
3	PM910398		LEVELER ASSEMBLY - R
4	10270203		HOUSING-LIGHT V10270203
5	10281601		SOCKET-SGL LIGHT
6	A3079001		LAMP - 40W
7	PK930346		COVER LIGHT
8	C20911329		SWITCH MOUNT
9	PE950146		SWITCH SPDT BLACK
10	G50911381		GRILLE TOE ASM 30 LH
	G50911380		GRILLE TOE ASM COMPLETE 30 R
11	K20911976		BRACKET EVAP FAN ICE
12	12075003		MOTOR-REF FAN
13	PA970142		WATER VALVE
14	G3297584		HINGE ASSY - LH
	G3297583		HINGE ASSY - RH
15	PC920149		BAR-WC BOT HINGE LH
	PC920166		BAR-WC BOT HINGE RH
16	PK910123		SIDE TRIM - PRO
17	PC920204		HINGE ASM UL
	PC920203		HINGE ASM UR
18	PC910015		SPRING EXTENSION



Ref #	Part Number	Qty.	Description
1	L2099055		EVAP COVER UPPER AF 30
2	K2096461		BRKT-EVAP COVER 12234801
3	L20911955		DIVERTER AIR AF 30 R
4	L20911954		DIVERTER AIR AF 30 L
5	K20911956		BRACKET FAN MOUNT AF 30
6	K20911957		BRACKET FAN MOUNT L AF 30
7	K02911958		FAN MOUNT BRACKET - R
8	PE950154		FAN EVAP HORIZ AF AR 30
9	L20911932		COVER EVAP LOWER AF 30



Ref #	Part Number	Qty.	Description
1	G5099904		DOORBIN ASM AF 30
2	G5099058		DOOR ASM AF 30
3	PB970163		GASKET
4	K2097526		BRACKET - HANDLE SUPPORT
5	B2099067		SKIN DOOR AF AR 30 PRO
	L2099067WH		DOOR SKIN AF AR 30 PRO L
	C9099067AL		DOOR SKIN AF AR 30 PRO L
	C9099067BK		DOOR SKIN AF AR 30 PRO L
	C9099067BT		DOOR SKIN AF AR 30 PRO L
	C9099067BU		DOOR SKIN AF AR 30 PRO L
	C9099067CB		DOOR SKIN AF AR 30 PRO L
	C9099067EP		DOOR SKIN AF AR 30 PRO L
	C9099067FG		DOOR SKIN AF AR 30 PRO L
	C9099067GG		DOOR SKIN AF AR 30 PRO L
	C9099067LE		DOOR SKIN AF AR 30 PRO L
	C9099067MJ		DOOR SKIN AF AR 30 PRO L
	C9099067SG		DOOR SKIN AF AR 30 PRO L
	C9099067VB		DOOR SKIN AF AR 30 PRO L
	B2099069		SKIN DOOR AF AR 30 PRO
	L2099069WH		DOOR SKIN AF AR 30 PRO R
	C9099069AL		DOOR SKIN AF AR 30 PRO R
	C9099069BK		DOOR SKIN AF AR 30 PRO R
	C9099069BT		DOOR SKIN AF AR 30 PRO R
	C9099069BU		DOOR SKIN AF AR 30 PRO R
	C9099069CB		DOOR SKIN AF AR 30 PRO R
	C9099069EP		DOOR SKIN AF AR 30 PRO R
	C9099069FG		DOOR SKIN AF AR 30 PRO R
	C9099069GG		SKIN DOOR AF AR 30 PRO GG
	C9099069LE		DOOR SKIN AF AR 30 PRO R
	C9099069MJ		DOOR SKIN AF AR 30 PRO R
	C9099069SG		DOOR SKIN AF AR 30 PRO R
	C9099069VB		DOOR SKIN AF AR 30 PRO R
6	PE030173		304 S.S HANDLE 35.437
	PE030173PVD		BRASS HANDLE
7	PE030001		BRACKET, DOOR, HANDLE
	PE030001PVD		END CAP DOOR HANDLE XBR
8	PE010030		LOGO, 6, PRO, BK
	PE010068		LOGO, 6, PRO, BK/BR
	PE010031		LOGO 6 (VGRC) XBK/WHX
	PE010076		LOGO 6 (VGRC) XBR/WHX
9	PC920132		PIVOT PLATE ASSY - LH
10	PD940092		SPACER - DOOR HINGE
11	PC920147		PIVOT PLATE ASSY - WC LH BOT
NI	C90911328BK		STRIKER SWITCH
NI	PE940176		TRIM - DOOR SXS PRO SIDES
NI	PK930226		TRIM DOOR BULLNOSE 30 TOP/BTM

*No Image  
Available*

Ref #	Part Number	Qty.	Description
NI	044042-000	1	ALL FREEZER FLOAT SWITCH WIRING KIT (FOR UNITS MANUFACTURED BEFORE 1/9/13)