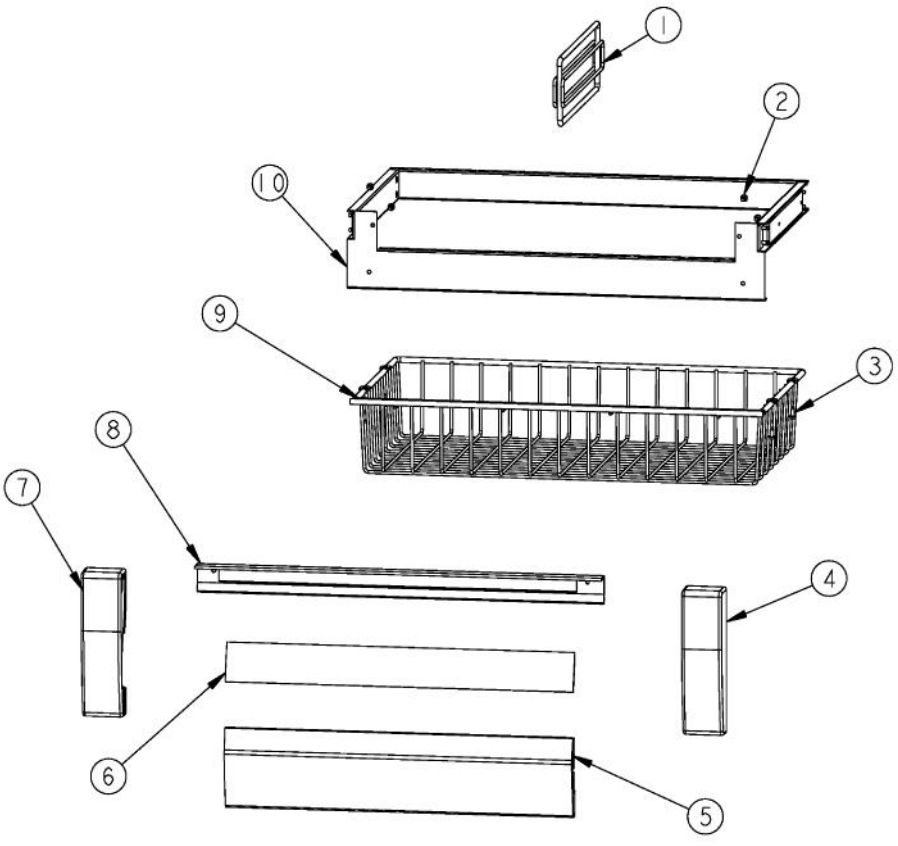
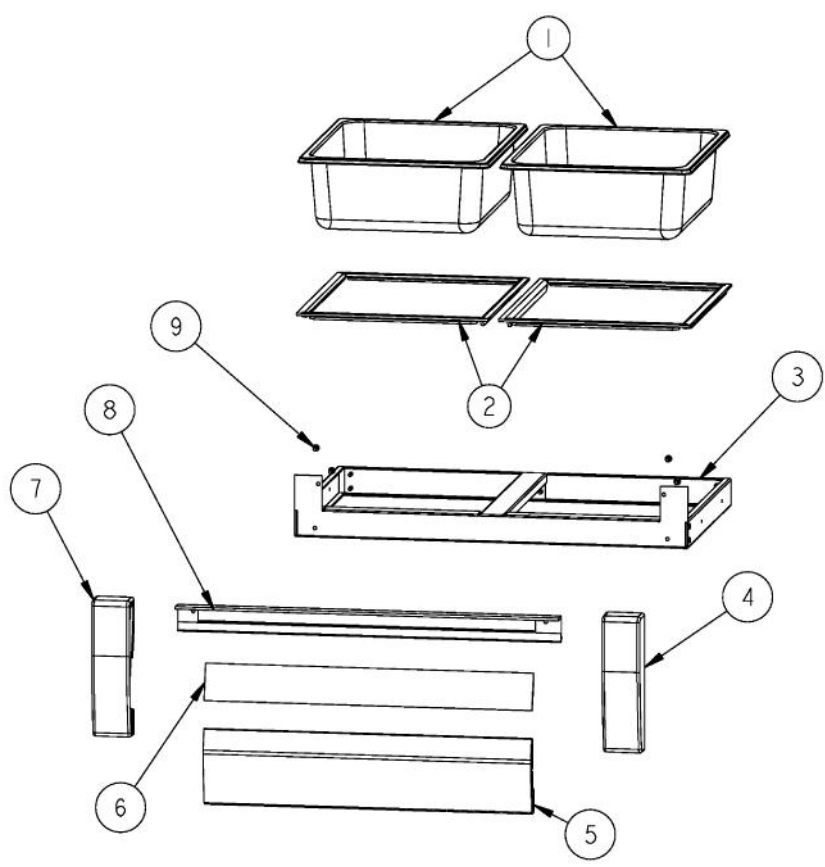


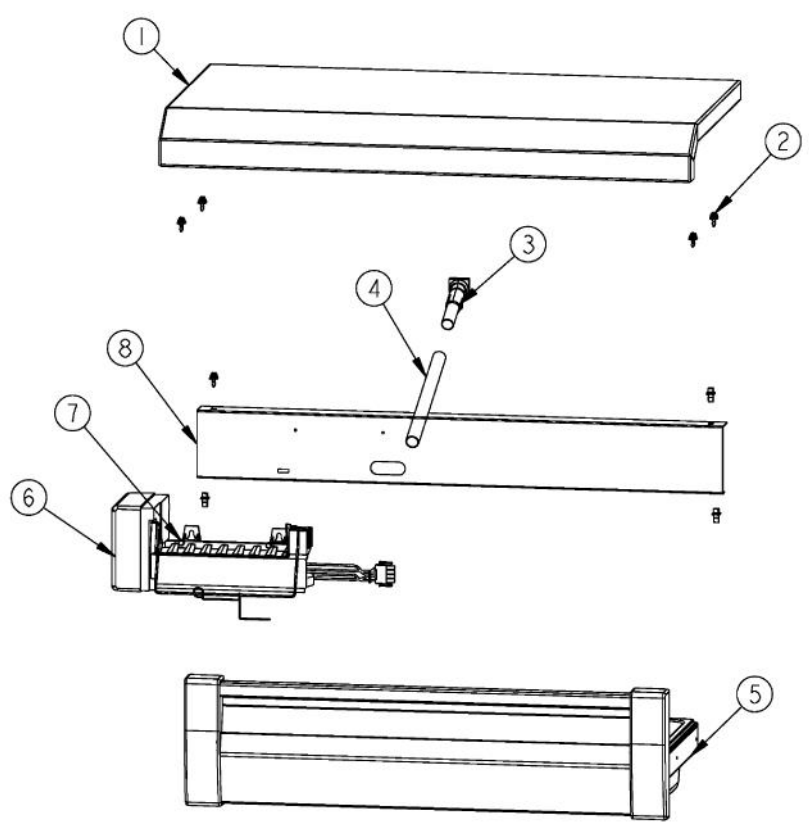
Ref #	Part Number	Qty.	Description
1	PM910411		SHELF WIRE AF 36
2	G50911195		DRAWER BASKET ASM AF 36 FOR BREAKDOWN SEE PAGE 002
3	G50911189		DRAWER ICE ASM AF 36 FOR BREAKDOWN SEE PAGE 003
4	G50911169		SHELF ICE ASM UPPER AF 36 FOR BREAKDOWN SEE PAGE 004



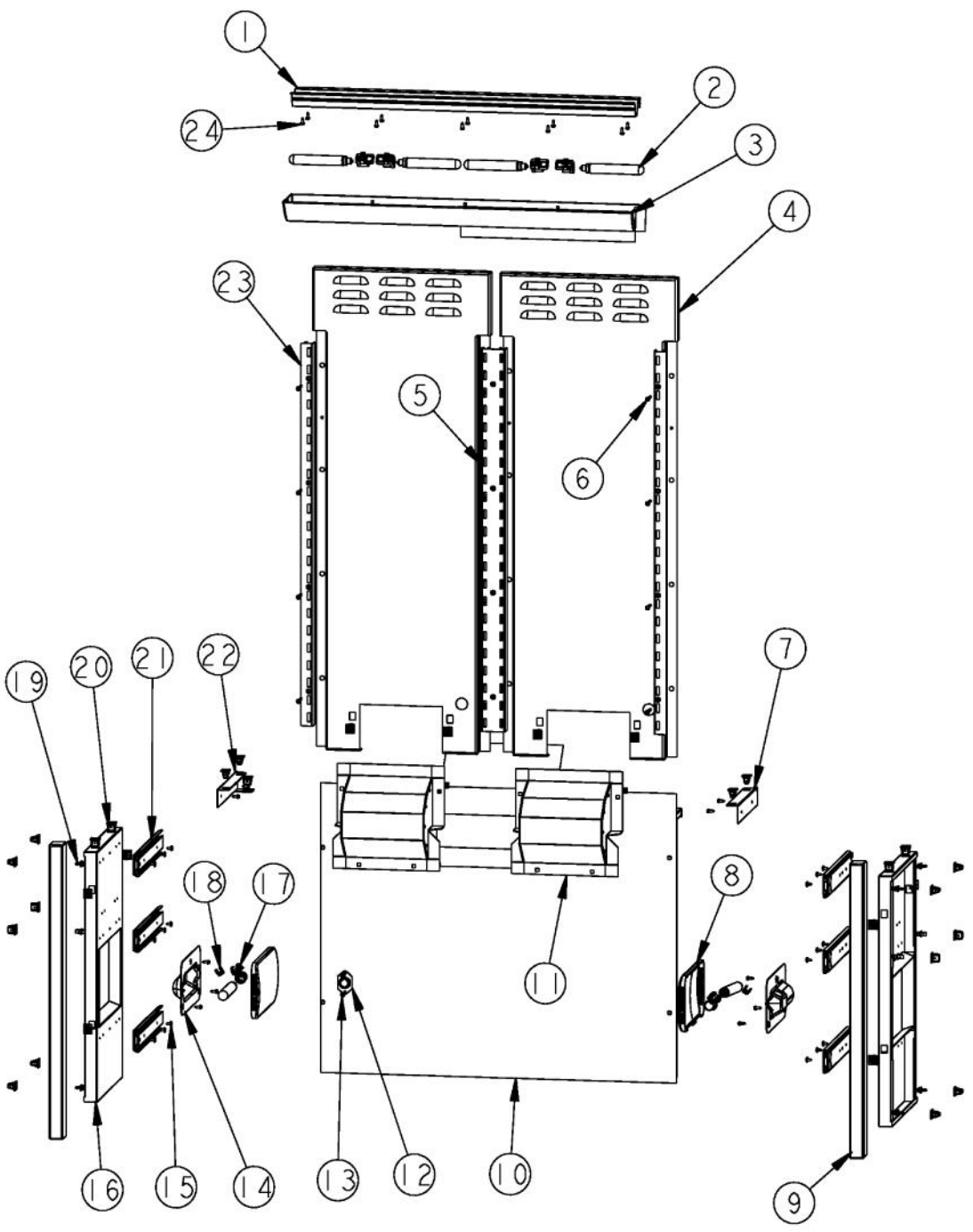
Ref #	Part Number	Qty.	Description
1	PM910439		DIVIDER BASKET WIRE AF 36
2	PD920161		SCR 8-16 PLASTITE PNP 3/8 S
3	PD020194		SCREW-SM
4	PK930316		ENDTRIM ICE DRAWER R
5	PK920065		EXTRUSION FRONT ICE DOOR WIDE AF 36
6	PE940240		GLASS ICE DRAWER WIDE AF 36
7	PK930317		ENDTRIM ICE DRAWER L
8	PK920064		EXTRUSION CAP ICE DOOR WIDE AF 36
9	PM910438		BASKET WIRE AF 36
10	G90911194WH		FRAME BASKET DRAWER ASM AF 36 XWHX
NI	G50911195		DRAWER BASKET ASM AF 36 (INCLUDES ITEMS 1 THROUGH 10)



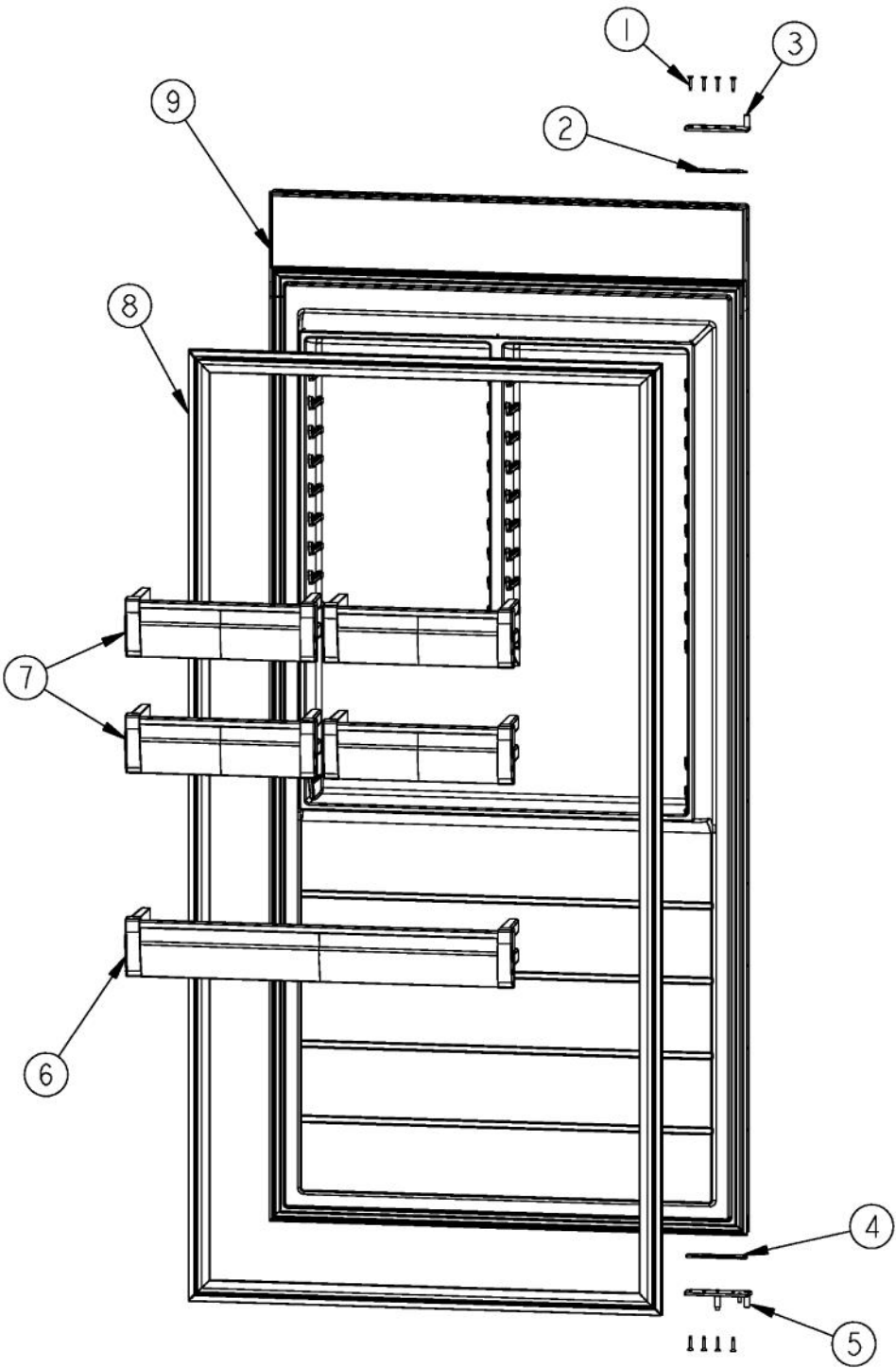
Ref #	Part Number	Qty.	Description
1	PM910461		PAN ICE AF 36 30
2	PB970211		GASKET FRAME AF 30 & 36
3	G90911188WH		FRAME ICE DRAWER ASM AF 36 XWHX
4	PK930316		ENDTRIM ICE DRAWER R
5	PK920065		EXTRUSION FRONT ICE DOOR WIDE AF 36
6	PE940240		GLASS ICE DRAWER WIDE AF 36
7	PK930317		ENDTRIM ICE DRAWER L
8	PK920064		EXTRUSION CAP ICE DOOR WIDE AF 36
9	PD920161		SCR 8-16 PLASTITE PNP 3/8 S
NI	G50911189		DRAWER ICE ASM AF 36



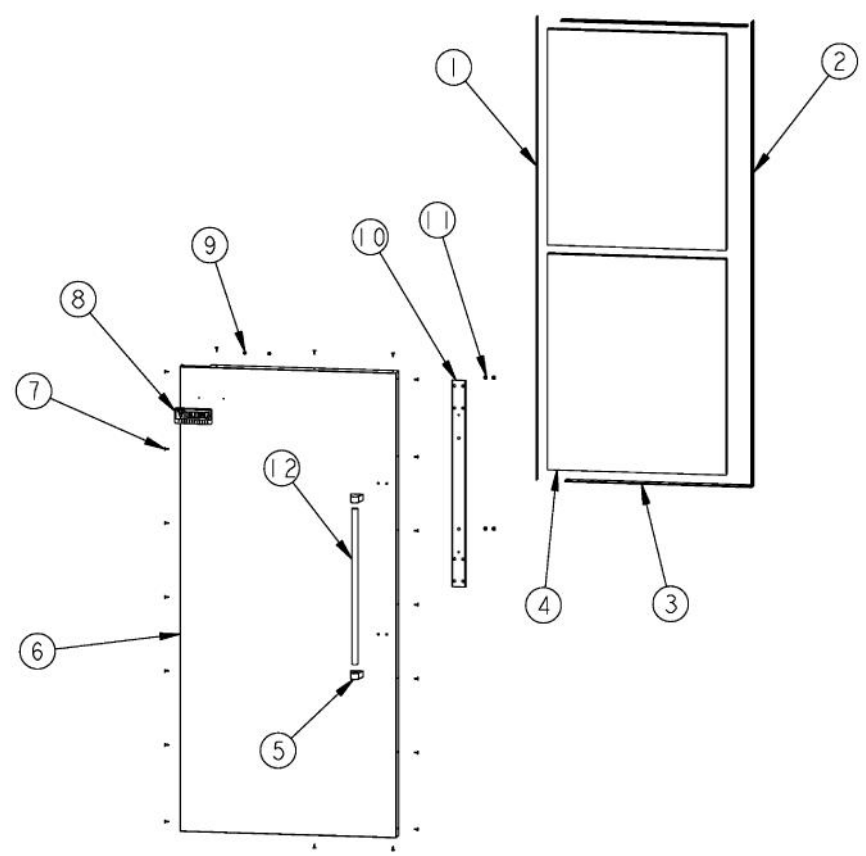
Ref #	Part Number	Qty.	Description
1	C90910760WH		ASM PAINT SHELF COVER AF 36
2	PD950012		STRIKE PANEL ACCESS
3	G5096419		FILL TUBE ASSY 10942511
4	A3127415		EXT-FILL TUBE
5	G50911189		DRAWER ICE ASM AF 36 FOR BREAKDOWN SEE PAGE 003
6	002252-000		ICE MAKER
7	PD020194		SCREW-SM
8	C90911164WH		PLATE IN MOUNT AF 36 XWHX
NI	G50911169		SHELF ICE ASM UPPER AF 36



Ref #	Part Number	Qty.	Description
1	L20910705		BRACKET LIGHT AR 36
2	A3079001		LAMP - 40W
3	PK930267		COVER LIGHT ASM AF AR BM 36
4	L2098399		COVER EVAP UPPER AF 36
5	PM910285		LADDER CENTER
6	M0238535		SCREW-SM
7	K20911929		BRACKET ICE SHELF R
8	PK930346		COVER LIGHT
9	C90910784WH		COVER SIDE ASM XWHX
10	L2098370		COVER EVAP LOWER AF 36
11	G50911134		COVER ASM FAN EVAP AF 36
12	C8983701		THERMISTOR
13	M0211014		SCREW-SM
14	10270203		HOUSING-LIGHT V10270203
15	PD020032		SRW-8(A)X3/8PH.WFR HD 7/16DIAXNICL
16	G90911311		BRKT SIDE GLIDE MOUNT -WH
17	PE950125		LIGHT SOCKET
18	B5733302		CLIP-GROUND
19	PD950012		STRIKE PANEL ACCESS
20	PD950013		LATCH PANEL ACCESS
21	PC080031		SLIDE 12 FULL EXTENSION
22	K20911928		BRACKET ICE SHELF L
23	PM910282		LADDER SIDE
24	PD020194		SCREW-SM
NI	G50911183		COVER UPPER EVAP ASM AF 36 (INCLUDES ITEMS 4 AND 20)
NI	G50911182		COVER ASM LOWER EVAP AF 36 (INCLUDES ITEMS 10 AND 20)

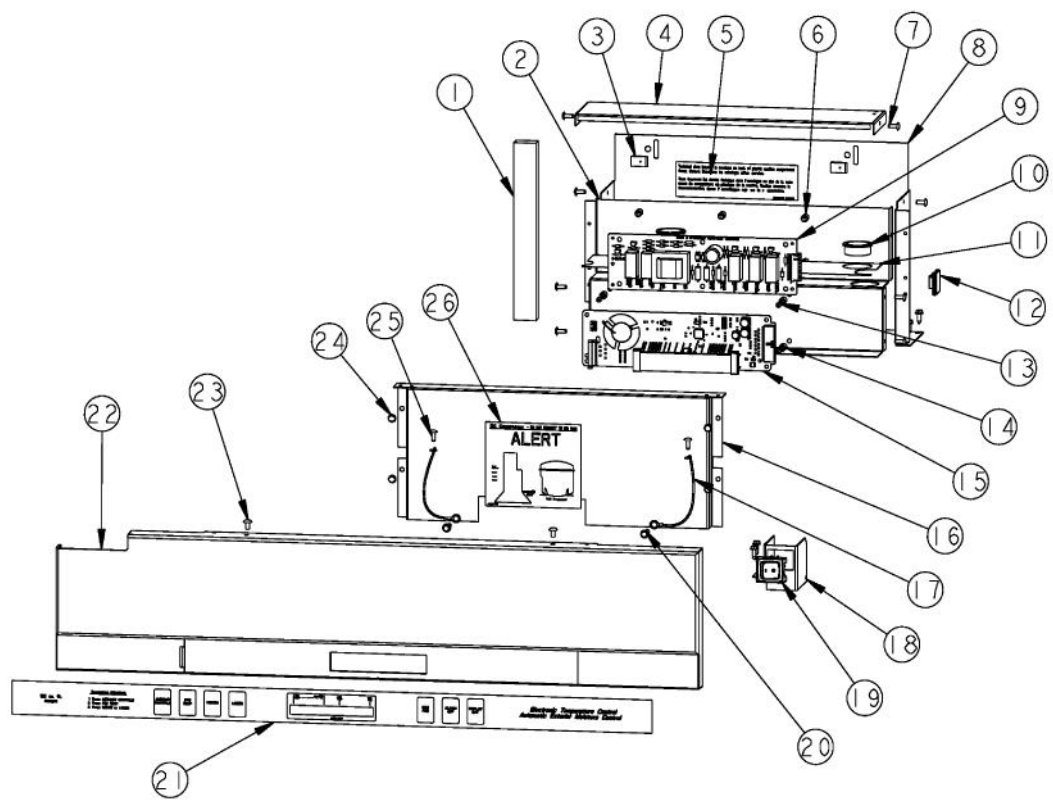


Ref #	Part Number	Qty.	Description
1	PD920174		10-32 TORX HEAD SCREW
2	PD040162		SPACER-DOOR HINGE
3	PC020279		PIVOT PL ASM LH UP PRO/DES
	PC020278		PIVOT PL ASM RH UP PRO/DES
4	001617-000		SPACER,NYL,PIVOT PLATE
5	PC020277		PIVOT PL ASM LH LW PRO/DES
	PC020276		PIVOT PL ASM RH LW PRO/DES
6	G5099905		DOORBIN ASM AF 36 FULL
7	G5099906		DOORBIN ASM AF 36 HALF
8	PB070334	1	DOOR GASKET (BEFORE 06-10-08)
8	005447-000	1	GASKET,ASM,36,AFAR (ON OR AFTER 06-10-08)
9	G32915044		DOOR ASM AF 36 (INCLUDES GASKET)

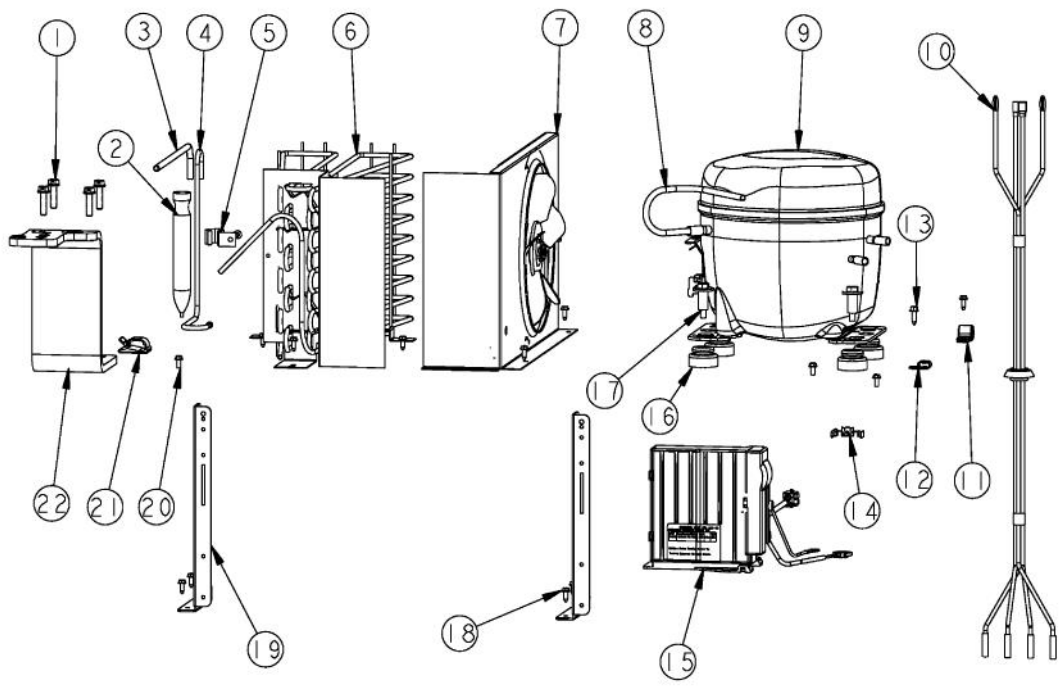


Ref #	Part Number	Qty.	Description
1	PD940087		SPACER DOOR SKIN-HINGE SIDE (75.1)
2	PE940176		TRIM - DOOR SXS PRO SIDES
3	PK030554		TRIM DOOR BULLNOSE 36 TOP/BOT
4	000755-000		BLOCK, EPS REF DOOR 36 AF AR PRO
5	PE030001		BRACKET, DOOR, HANDLE
6	PE030001PVD		END CAP DOOR HANDLE XBR
	B20915622		SKIN DOOR AF AR 36 PRO R
	L20915622WH		SKIN DOOR AF AR 36 PRO R
	C90915622AL		SKIN DOOR AF AR 36 PRO R (BEFORE 01/01/08)
	C90915622BT		SKIN DOOR AF AR 36 PRO R (BEFORE 01/01/08)
	C90915622EP		SKIN DOOR AF AR 36 PRO R (BEFORE 01/01/08)
	C90915622FG		SKIN DOOR AF AR 36 PRO R (BEFORE 01/01/08)
	C90915622BK		SKIN DOOR AF AR 36 PRO R
	C90915622BU		SKIN DOOR AF AR 36 PRO R
	C90915622CB		SKIN DOOR AF AR 36 PRO R
	C90915622GG		SKIN DOOR AF AR 36 PRO R
	C90915622SG		SKIN DOOR AF AR 36 PRO R
	C90915622VB		SKIN DOOR AF AR 36 PRO R
	C90915622AR		SKIN DOOR AF AR 36 PRO R XARX (AFTER 01/01/08)
	C90915622CH		SKIN DOOR AF AR 36 PRO R XCHX (AFTER 01/01/08)
	C90915622CW		SKIN DOOR AF AR 36 PRO R XCWX (AFTER 01/01/08)
	C90915622GM		SKIN DOOR AF AR 36 PRO R XGMX (AFTER 01/01/08)
	C90915622IB		SKIN DOOR AF AR 36 PRO R XIBX (AFTER 01/01/08)
	C90915622MS		SKIN DOOR AF AR 36 PRO R XMSX (AFTER 01/01/08)
	C90915622OG		SKIN DOOR AF AR 36 PRO R XOGX (AFTER 01/01/08)
	C90915622PL		SKIN DOOR AF AR 36 PRO R XPLX (AFTER 01/01/08)
	C90915622PM		SKIN DOOR AF AR 36 PRO R XPMX (AFTER 01/01/08)
	C90915622RR		SKIN DOOR AF AR 36 PRO R XRRX (AFTER 01/01/08)
	C90915622SA		SKIN DOOR AF AR 36 PRO R XSAX (AFTER 01/01/08)
	C90915622SE		SKIN DOOR AF AR 36 PRO R XSEX (AFTER 01/01/08)
	C90915622TP		SKIN DOOR AF AR 36 PRO R XTPX (AFTER 01/01/08)
	B20915620		SKIN DOOR AF AR 36 PRO L
	L20915620WH		SKIN DOOR AF AR 36 PRO L
	C90915620AL		SKIN DOOR AF AR 36 PRO L (BEFORE 01/01/08)
	C90915620BT		SKIN DOOR AF AR 36 PRO L (BEFORE 01/01/08)
	C90915620EP		SKIN DOOR AF AR 36 PRO L (BEFORE 01/01/08)
	C90915620FG		SKIN DOOR AF AR 36 PRO L (BEFORE 01/01/08)
	C90915620BK		SKIN DOOR AF AR 36 PRO L
	C90915620BU		SKIN DOOR AF AR 36 PRO L

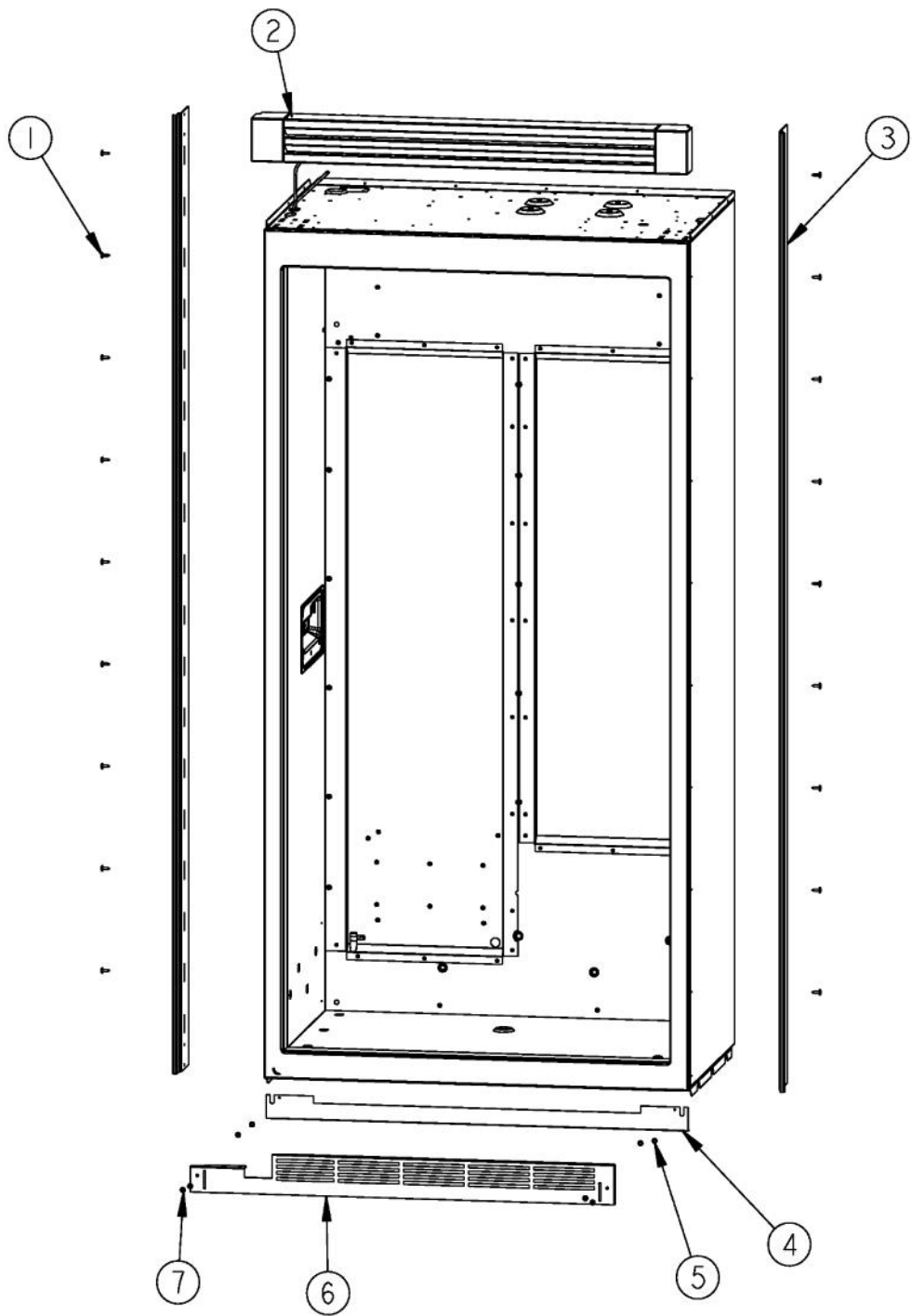
Ref #	Part Number	Qty.	Description
	C90915620BU		SKIN DOOR AF AR 36 PRO L
	C90915620CB		SKIN DOOR AF AR 36 PRO L
	C90915620GG		SKIN DOOR AF AR 36 PRO L
	C90915620SG		SKIN DOOR AF AR 36 PRO L
	C90915620VB		SKIN DOOR AF AR 36 PRO L
	C90915620AR		SKIN DOOR AF AR 36 PRO L XARX (AFTER 01/01/08)
	C90915620CH		SKIN DOOR AF AR 36 PRO L XCHX (AFTER 01/01/08)
	C90915620CW		SKIN DOOR AF AR 36 PRO L XCWX (AFTER 01/01/08)
	C90915620GM		SKIN DOOR AF AR 36 PRO L XGMX (AFTER 01/01/08)
	C90915620IB		SKIN DOOR AF AR 36 PRO L XIBX (AFTER 01/01/08)
	C90915620MS		SKIN DOOR AF AR 36 PRO L XMSX (AFTER 01/01/08)
	C90915620OG		SKIN DOOR AF AR 36 PRO L XOGX (AFTER 01/01/08)
	C90915620PL		SKIN DOOR AF AR 36 PRO L XPLX (AFTER 01/01/08)
	C90915620PM		SKIN DOOR AF AR 36 PRO L XPMX (AFTER 01/01/08)
	C90915620RR		SKIN DOOR AF AR 36 PRO L XRRX (AFTER 01/01/08)
	C90915620SA		SKIN DOOR AF AR 36 PRO L XSAX (AFTER 01/01/08)
	C90915620SE		SKIN DOOR AF AR 36 PRO L XSEX (AFTER 01/01/08)
	C90915620TP		SKIN DOOR AF AR 36 PRO L XTPX (AFTER 01/01/08)
7	M0210458		SCREW-SM
8	PE010030		LOGO, 6, PRO, BK
	PE010068		LOGO, 6, PRO, BK/BR
	PE010031		LOGO 6 (VGRC) XBK/WHX
	PE010076		LOGO 6 (VGRC) XBR/WHX
9	PD030006		CAPPED WASHER PAL NUT
10	K2097596		EVAP COVER - TOP
11	M0204303		SCREW-MACH
12	PE930101		VCSB482 HANDLE -(12466403)
	PE030173PVD		BRASS HANDLE



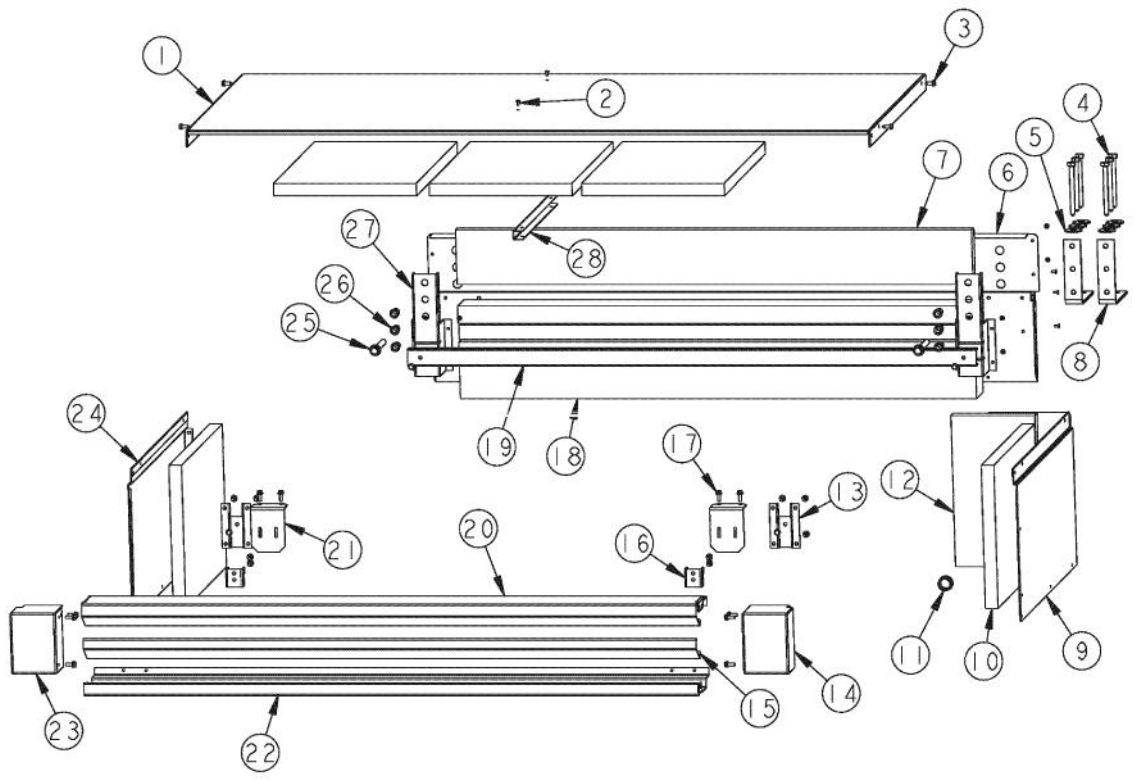
Ref #	Part Number	Qty.	Description
1	A3030361		GASKET, RED
2	K20910060		BRACKET - PC
3	M0288120		NUT-SPEED, VM0288120
4	K20915000		CONTROL BOX TOP
5	PF930487		TECH LITERATURE LABEL - 2
6	M0585504		SUPPORT
7	PC040010		POP RIVET
8	K2099402		CONTROL BOX
9	PE970463		POWER CONTROL BOARD
10	A4554817		BUSHING-SNAP VA4554817
11	PM910325		FILM PROTECTIVE
12	M0104106		CLIP-CORD VM0104106
13	PD020013		TYPE AB NO.6 X 3/8 PH PAN HD. SMS
14	M0585506		SUPPORT
15	PE070728		BOARD LOW VOLTAGE
16	K20910061		CONTROL BOX FRONT
17	12064001		SUPP-CONT PANEL
18	K2098654		BRACKET SWITCH POWER
19	PE950149		SWITCH POWER
20	M0238846		SCREW-SHLDR
21	PE950182		OVERLAY SWITCH AF 30
22	PE940213		COVER CONTROL PANEL BM 362 LH
	PE940212		COVER CONTROL PANEL AF AR 36 R
23	M0224128		SCREW-SM
24	PD020194		SCREW-SM
25	PC040010		POP RIVET
26	PF930672		LABEL DC COMPRESSOR



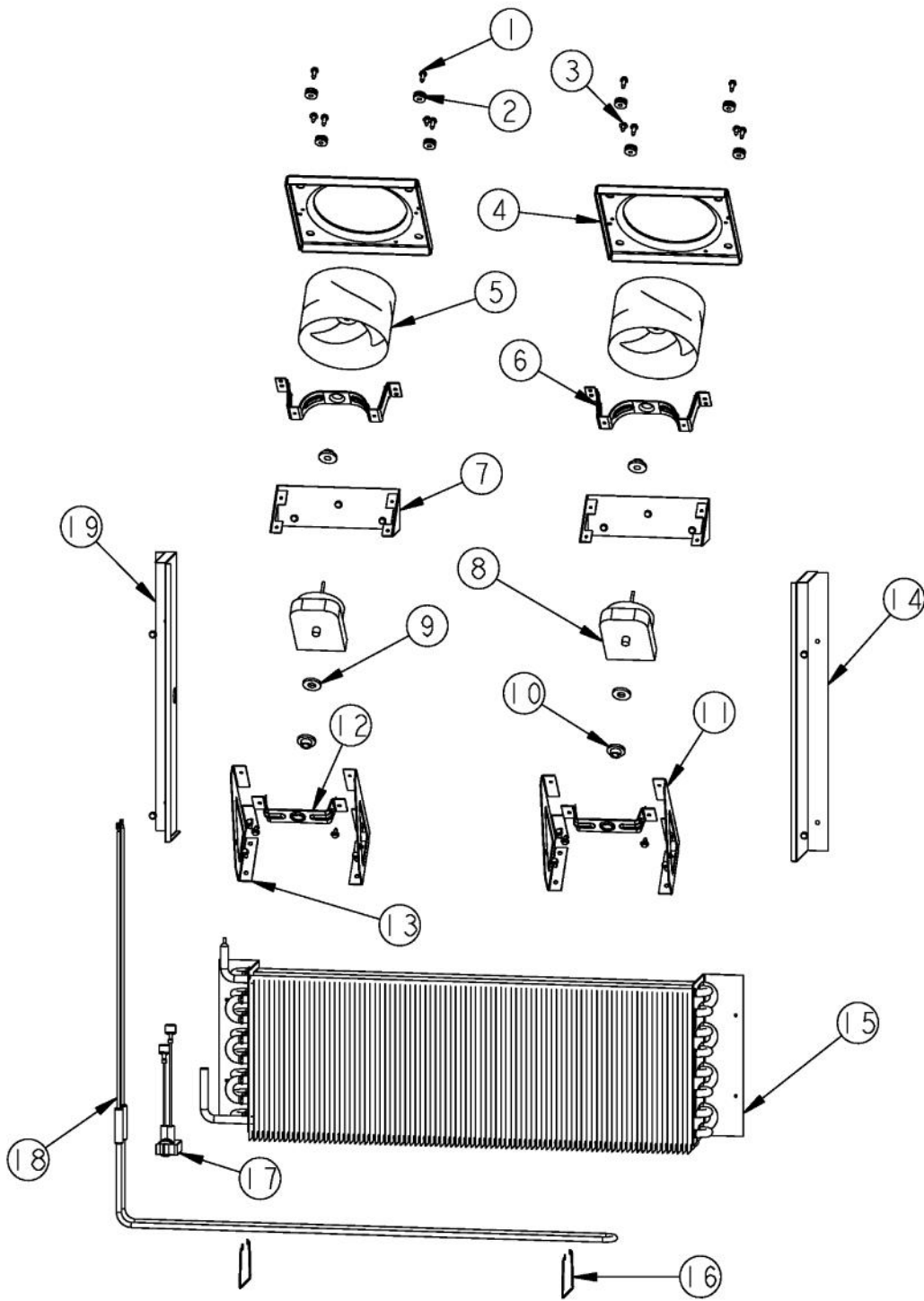
Ref #	Part Number	Qty.	Description
1	000570-000		HEX SCREW
2	10743201		DRIER, HI SIDE
3	F2097740		TUBE PROCESS
4	F2096669		TUBE-DRIER COND
5	10547001		CLIP-DRIER V10547001
6	PB920171		CONDENSER ASM
7	G5096494		COND. FAN ASSY
8	F2096507		TUBE-PROCESS GRN
9	G5097976		COMPRESSOR ASSEMBLY (363 AND 483) (INCLUDES DRIER)
10	PE970642		HARNESS FRAME HEATER AF
11	PD030118		SCREW - SHLDR
12	002573-000		CLAMP CORD
13	PD020195		SCR 8-18 X 5/8
14	M0327801		SPLICE TAP
15	PE070849		INVERTER
16	10835901		GROMMET RUBBER V10835901
17	M0221523		SCREW - SHLDR
18	PD020194		SCREW-SM
19	K20912569		BRACKET GRILLE SUPPORT
20	PD020010		10 X 3/8 GREEN GROUNDING SCREW
21	M0104102		CLIP-CORD RED
22	PC920204		HINGE ASM UL
	PC920203		HINGE ASM UR



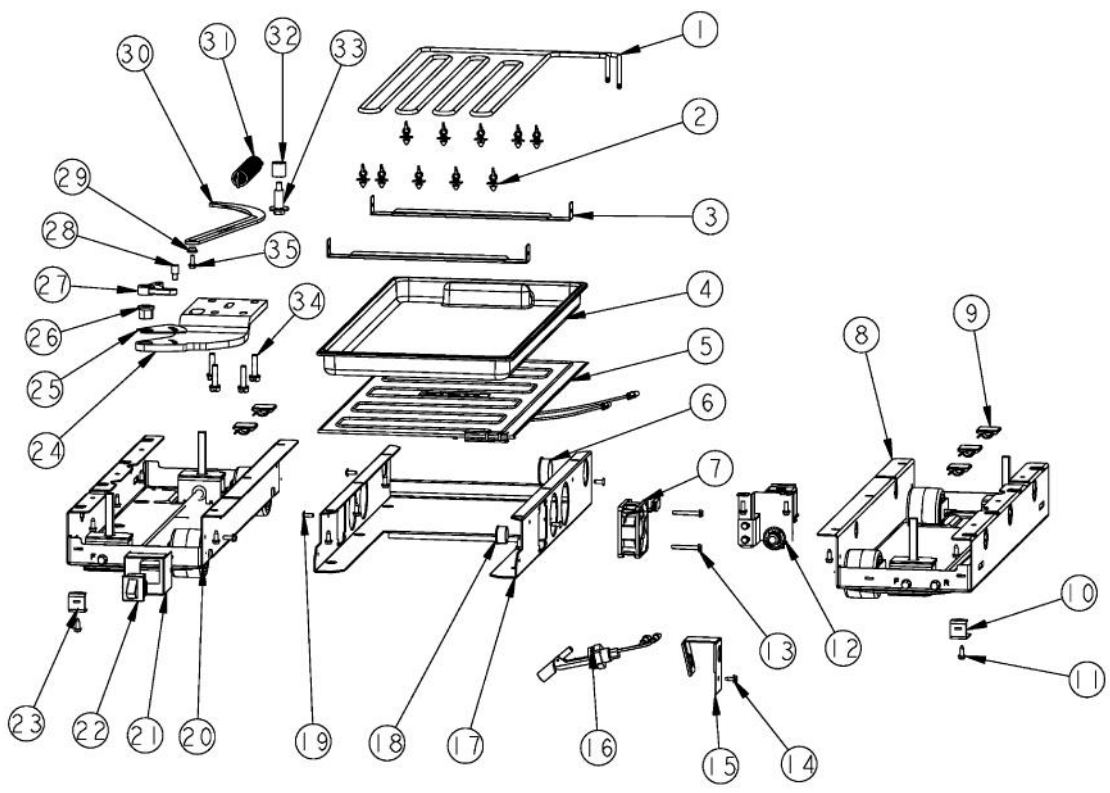
Ref #	Part Number	Qty.	Description
1	M0210458		SCREW-SM
2	G32911375		GRILLE ASM AF 36 PRO LH (FOR BREAKDOWN SEE PAGE 012)
	G32911116		GRILLE ASM AF AR 36 PRO (FOR BREAKDOWN SEE PAGE 012)
3	PK910123		SIDE TRIM - PRO
4	000147-002		KICKPLATE, LWR
5	40370P01		NYLON FLAT WASHER V40370P01
6	C9099206BK		GRILLE TOE VENTED 36 LH XBKX
	C90910759BK		GRILLE TOE VENTED 36 XBKX
7	M0210443		SCREW-E SM
NI	G50915028		GRILLE TOE ASM AF AR 36 L (CONTAINS ITEMS NO. 4 - NO. 7)
NI	G50915027		GRILLE TOE ASM AF AR 36 R (CONTAINS ITEMS NO. 4 - NO. 7)



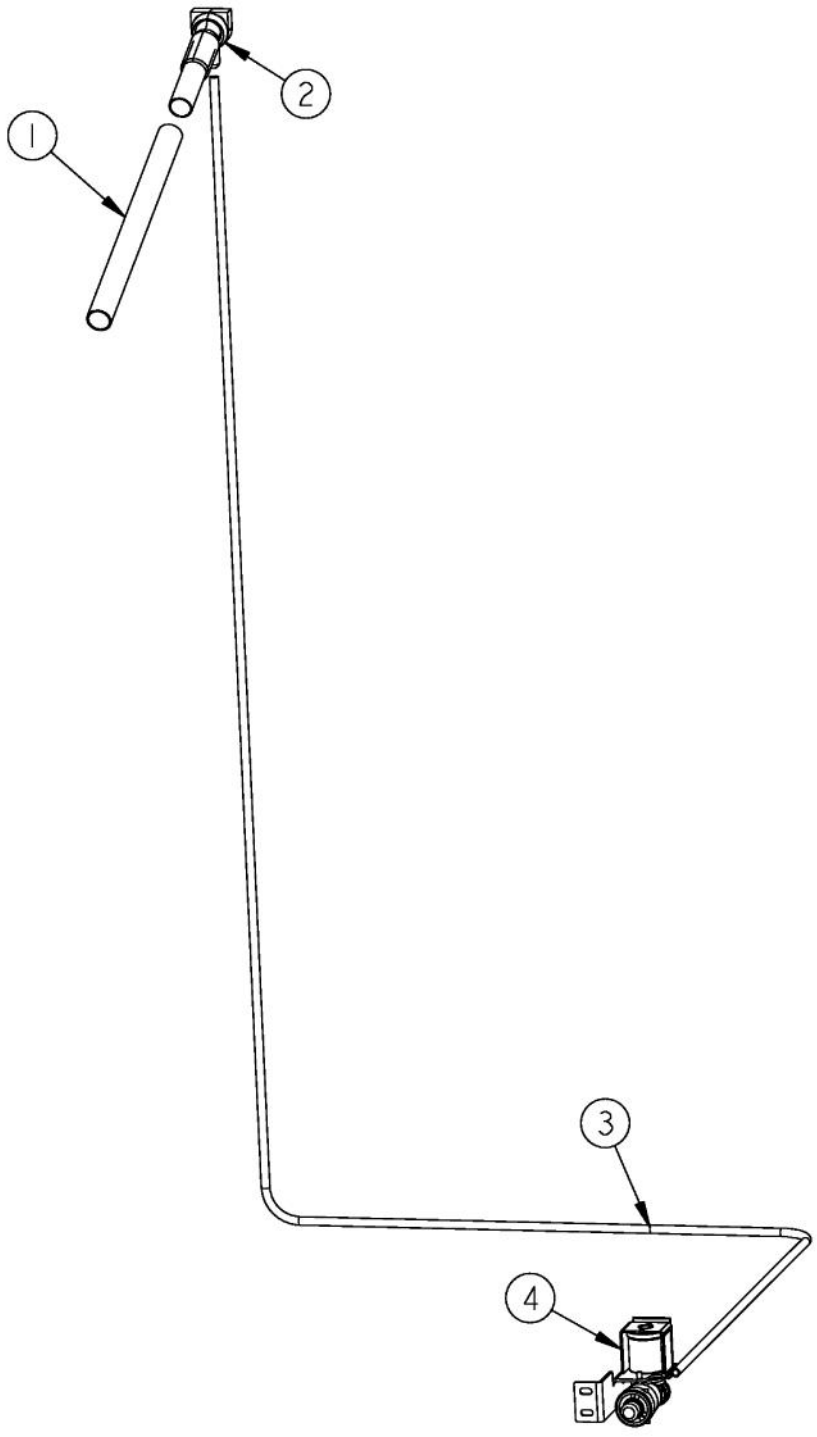
Ref #	Part Number	Qty.	Description
1	K2099931		MC TOP 36
2	PC040010		POP RIVET
3	PD020194		SCREW-SM
4	M0223509		SCREW-LAG
5	M0270510		WASHER
6	K2099933		MC BACK 36
7	PB070358		INSULATION MC COVER
8	PK910089		BRACKET, ANTI - TIP
9	K2099459		MC SIDE R
10	PB070355		INSULATION MC COVER
11	A4554806		BUSHING-SNAP VA4554806
12	PB970171		MC INSULATION - BACK SIDE
13	PK050004		BRACKET GRILLE
14	B20911818		GRILL ENDCAP PRO L/R NON-HINGE
	B20911817		GRILLE ENDCAP PRO R
15	B20911392		GRILLE LOUVER MID 36 PRO
16	B2096961		BRACKET-LOUVER
17	M0220417		SCREW-TC
18	PB070359		INSULATION MC COVER
19	K20915902		CROSSMEMBER PSM 36
20	B20911391		GRILLE LOUVER TOP 36 PRO
21	B2096962		BRACKET-LOUVER SUP
22	B20911122		GRILLE LOUVER BOT 36 PRO
23	B20911816		GRILLE ENDCAP PRO L
	B20911818		GRILL ENDCAP PRO L/R NON-HINGE
24	K2099460		MC SIDE L
25	PD020233		SCR LAG 5/16-9 GX 5/16X7/16 WAF IHXW 3 S ZN
26	PD040157		BEARING SLEEVE
27	K20915675		BRACKET PSM
28	K2099455		SUPPORT MC Z



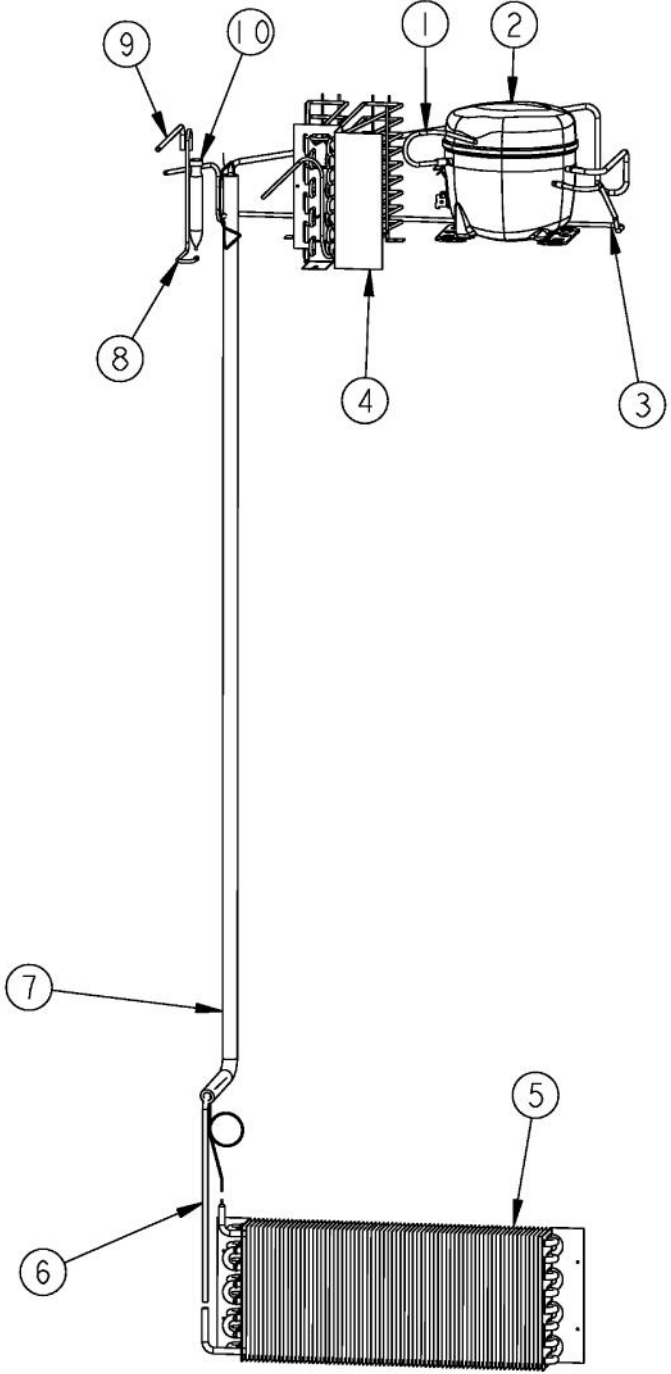
Ref #	Part Number	Qty.	Description
1	PD020194		SCREW-SM
2	12234001		GROMMET-VIBRATION
3	PD020193		SCR 8-18 X 3/8
4	PM910169		SHROUD EVAP FAN
5	10855402		FAN-EVAP/4.330
6	PM010605		BRACKET MTR/SHROUD
7	K20911130		BRACKET FAN MOUNT AF 36
8	PE950153		MOTOR EVAP FAN
9	PM910276		GROMMET FAN MOTOR
10	A1017202		GROMMET-FAN VA1017202
11	K2095457		EVAPORATOR FAN BRACKET - RH
12	L2198650		BRACKET FAN EVAP VEN
13	K2096458		BRKT-L-EVAP-FAN 12223102
14	L20911339WH		DIVERTER AIR RT 36 AF
15	PM910454		EVAPORATOR AF 36
16	PM910468		CLIP EVAP HTR 36 30 AF
17	PB910259		THERMOSTAT DEFROST TERMINATOR
18	PJ910037		DEFROST HEATER AF 36
19	L20911338WH		DIVERTER AIR LFT 36 AF
NI	G50912354		FAN ASSEMBLY AF 36 (INCLUDES ITEMS 1 THROUGH 13)



Ref #	Part Number	Qty.	Description
1	F20915696		SERPENTINE CONDENSER DRAIN
2	PD030146		STAND OFF LOCK CLIP
3	K20911831		BRACKET CONDENSATE SUPPORT
4	PK930348		PAN DRAIN
5	G50914125		TRAY PAN HEATER
6	A4554817		BUSHING-SNAP VA4554817
7	000731-000		AXIAL FAN
8	PM910398		LEVELER ASSEMBLY - R
9	M0104106		CLIP-CORD VM0104106
10	K2098044		BRKT GRILLE SUPPORT
11	PD020194		SCREW-SM
12	G32913789		BRKT & VALVE H20 SNGL ASM
13	PD020274		SCR SLTD HEX WSHR HD 8X1.250 BT
14	M0253916		SCREW-TF
15	B20915627		BRACKET HORIZ FLOAT SWITCH
16	PE050248		FLOAT SWITCH HORIZONTAL
17	K20915952		SHIELD BOTTOM DRAIN
18	A4554806		BUSHING-SNAP VA4554806
19	PC040010		POP RIVET
20	PM910399		LEVELER MODULE L
21	002668-000		SWITCH,GRILLE,MT,LH
	002667-000		SWITCH,GRILLE,MT,RH
22	PE950146		SWITCH SPDT BLACK
23	K2098096		BRKT GRILLE SUPPORT
24	PC020289		HINGE PLATE LL
	PC020288		HINGE PLATE LR
25	PC920144		PLATE - WC DOOR SHIM
26	PD940090		BUSHING - WC DOOR LEVEL
27	PD940091		BUSHING - DOOR STOP
28	PC920145		PIN - DOOR STOP
29	PD940094		BUSHING
30	PC920149		BAR-WC BOT HINGE LH
	PC920166		BAR-WC BOT HINGE RH
31	PC910015		SPRING EXTENSION
32	PD940107		ROUND SPRING SPACER
33	M0221523		SCREW - SHLDR
34	000570-000		HEX SCREW
35	M0220417		SCREW-TC
NI	PK930424	1	VALVE POP UP ASM



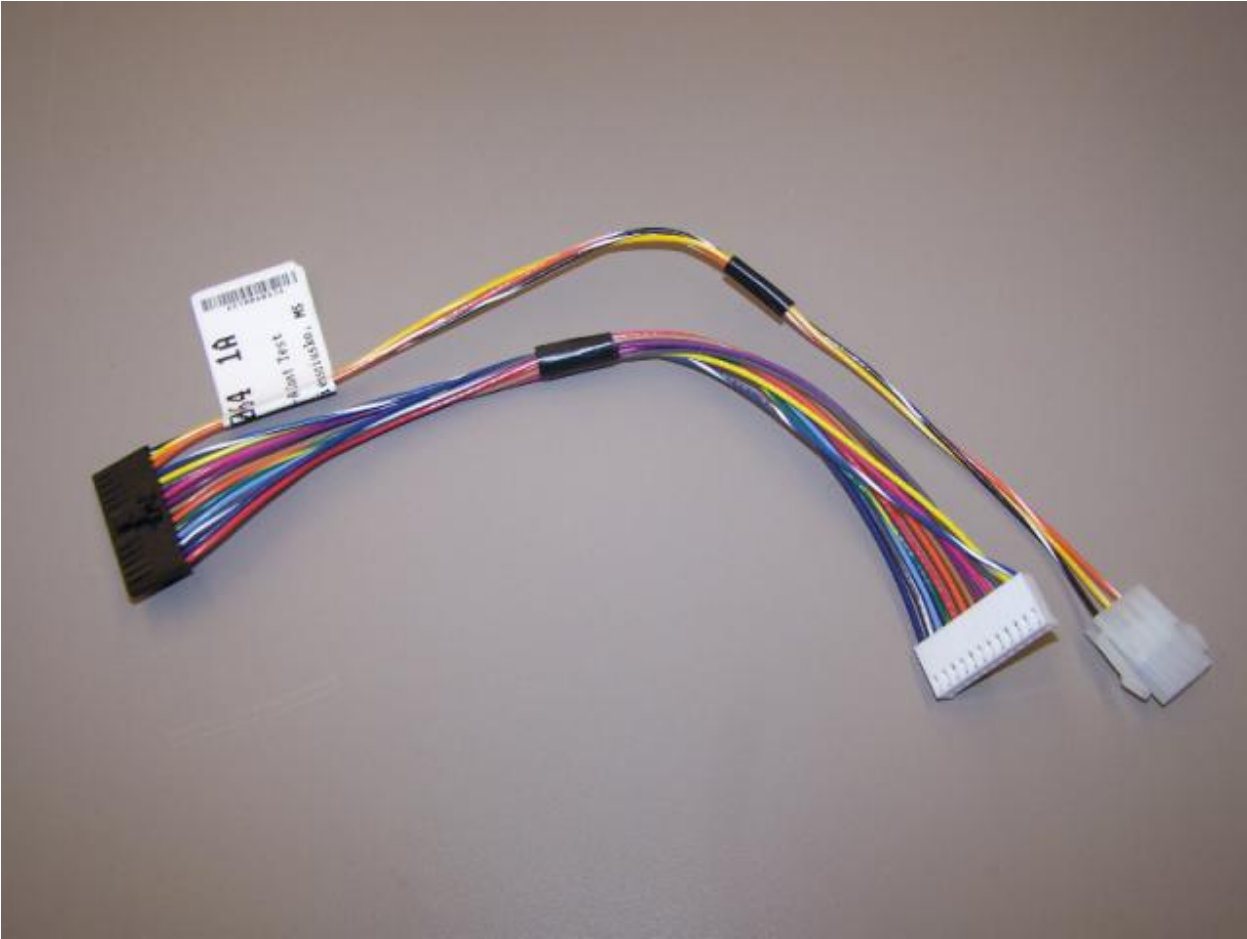
Ref #	Part Number	Qty.	Description
1	A3127415		EXT-FILL TUBE
2	G5096419		FILL TUBE ASSY 10942511
3	PB020304		PLASTIC TUBING-IM WATERLINE NON DISP (SXS & AF)
4	PA970012		SINGLE WATER VALVE



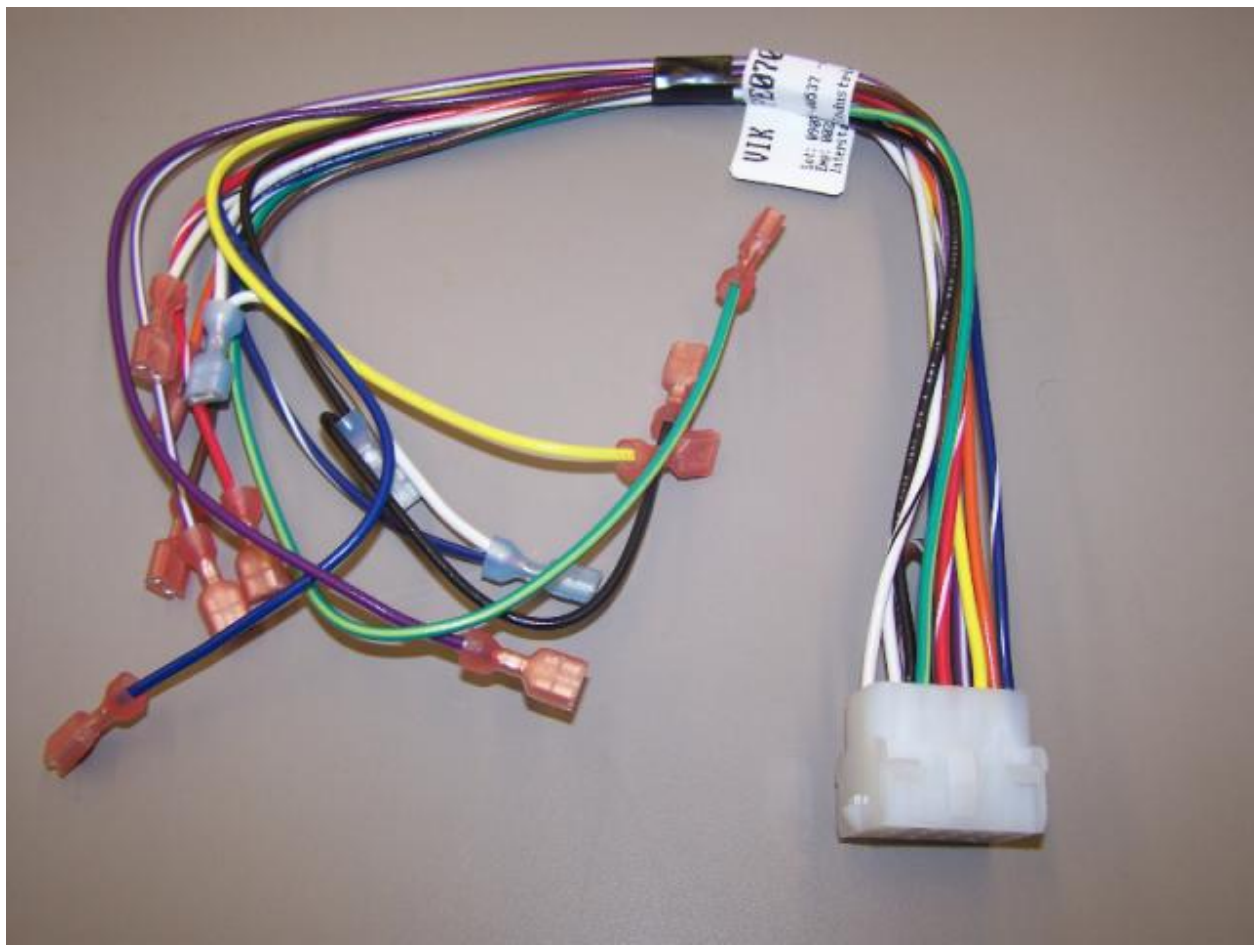
Ref #	Part Number	Qty.	Description
1	F2096507		TUBE-PROCESS GRN
2	G5097976		COMPRESSOR ASSEMBLY (363 AND 483) (INCLUDES DRIER)
3	F20910729		TUBE DISCHARGE FORMED AF AR 36
4	PB920171		CONDENSER ASM
5	G50912322		EVAP ASM AF 30
6	F2099937		TUBE FORMED HT EXCH AF 36
7	PB970187		INSULATION TUBING 57.500
8	F2096669		TUBE-DRIER COND
9	F2097740		TUBE PROCESS
10	10743201		DRIER, HI SIDE

*No Image
Available*

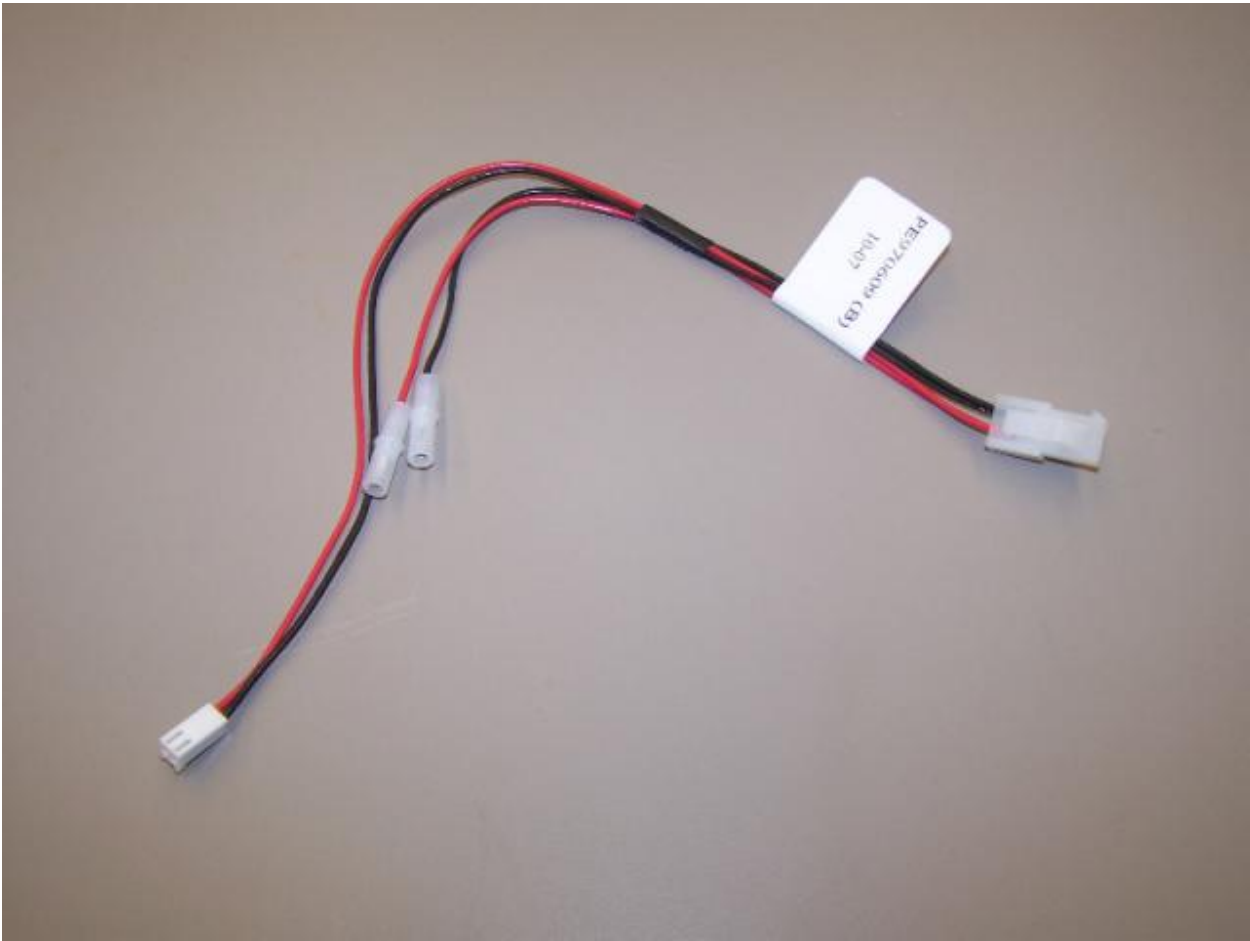
Ref #	Part Number	Qty.	Description
1	PE970568		HARNESS MACH COMP AF 36



Ref #	Part Number	Qty.	Description
1	PE970464		HARNESS LOW VOLT



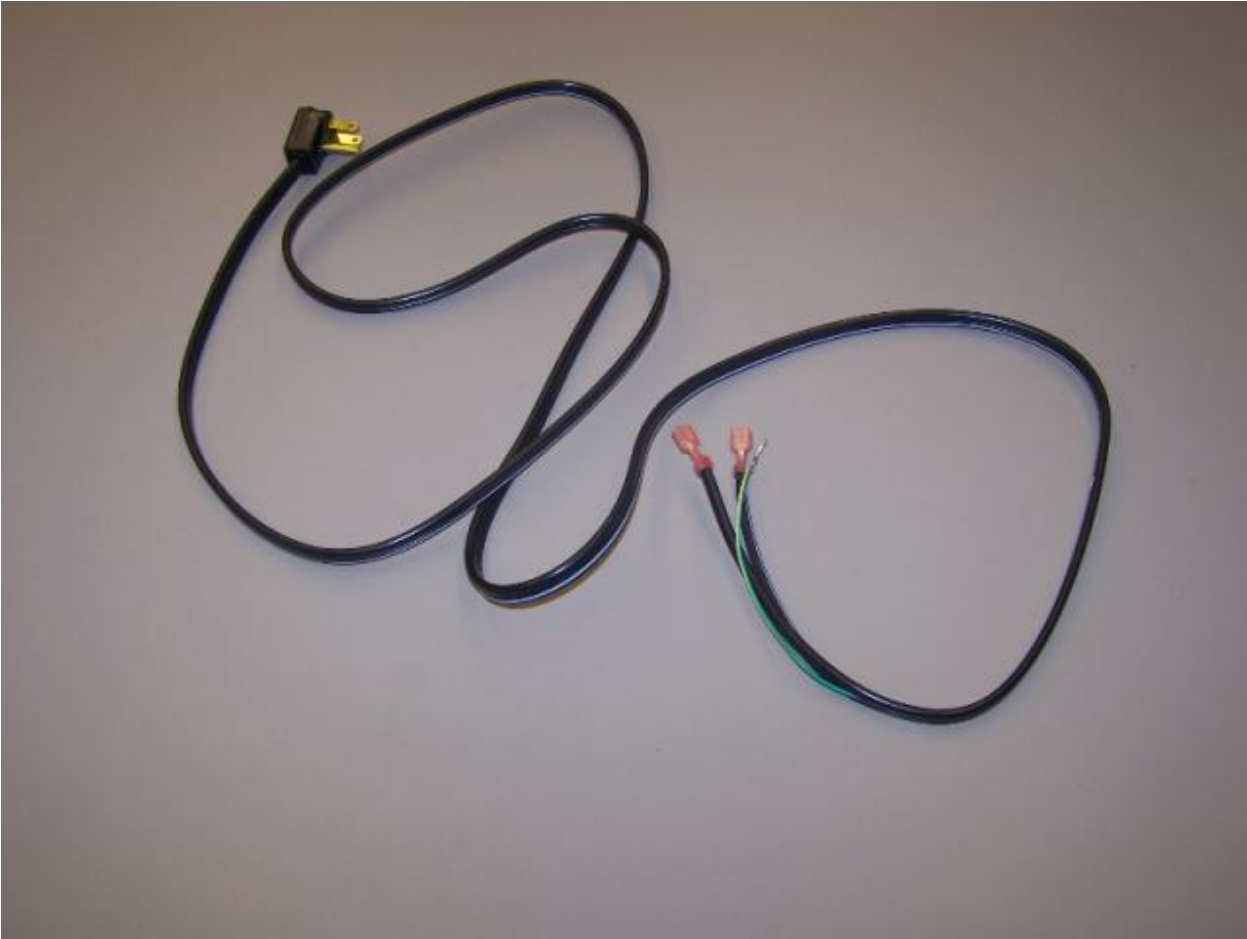
Ref #	Part Number	Qty.	Description
1	PE070785		HARNESS HIGH VOLT



Ref #	Part Number	Qty.	Description
1	PE970609		HARNESS CONTROL BOARD

*No Image
Available*

Ref #	Part Number	Qty.	Description
1	PE970558		HARNESS TOP LEFT LIGHTS AF AR 36



Ref #	Part Number	Qty.	Description
1	10916507		TUBE-PROCESS GRN

*No Image
Available*

Ref #	Part Number	Qty.	Description
NI	044042-000	1	ALL FREEZER FLOAT SWITCH WIRING KIT (FOR UNITS MANUFACTURED BEFORE 1/9/13)