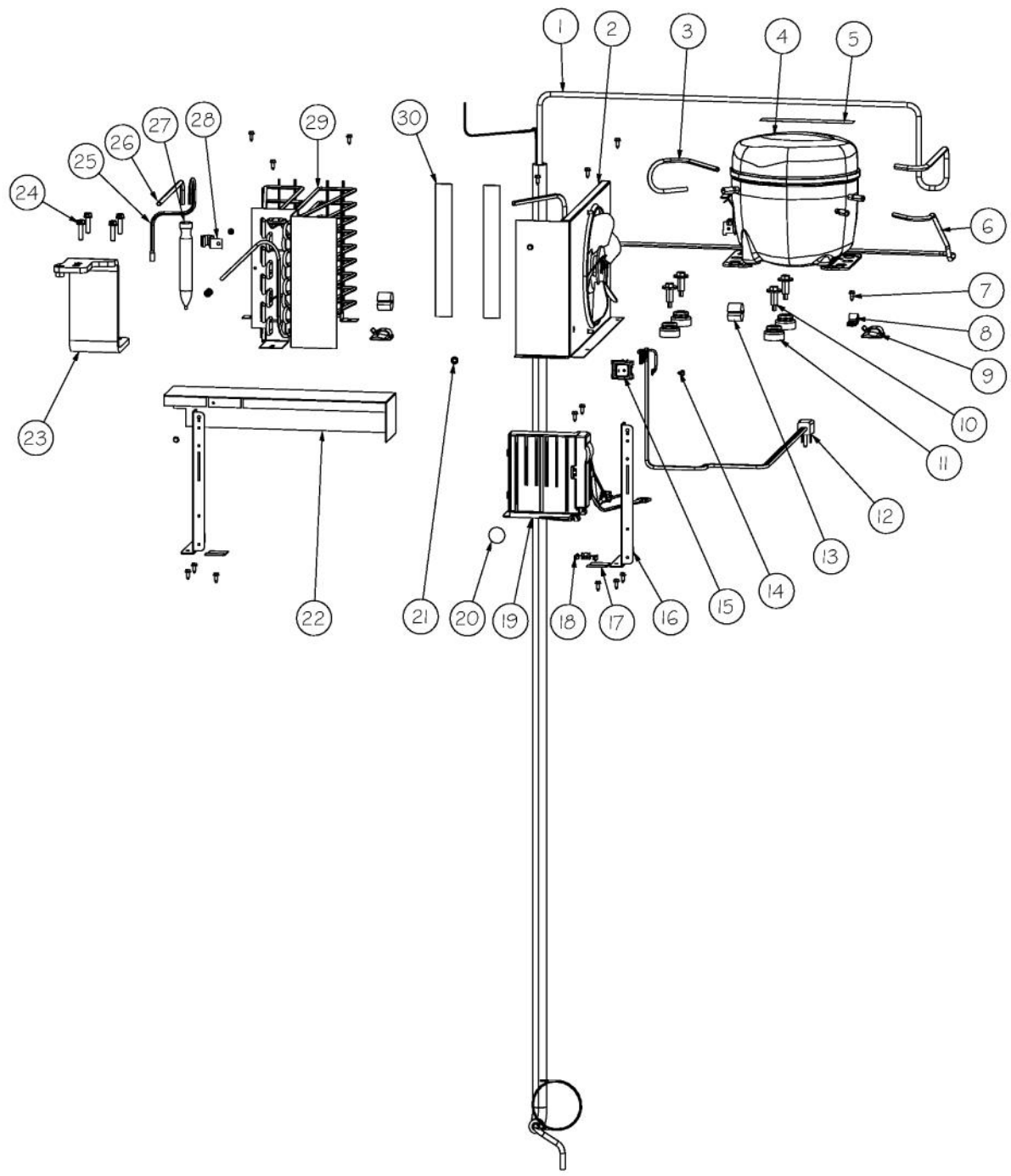
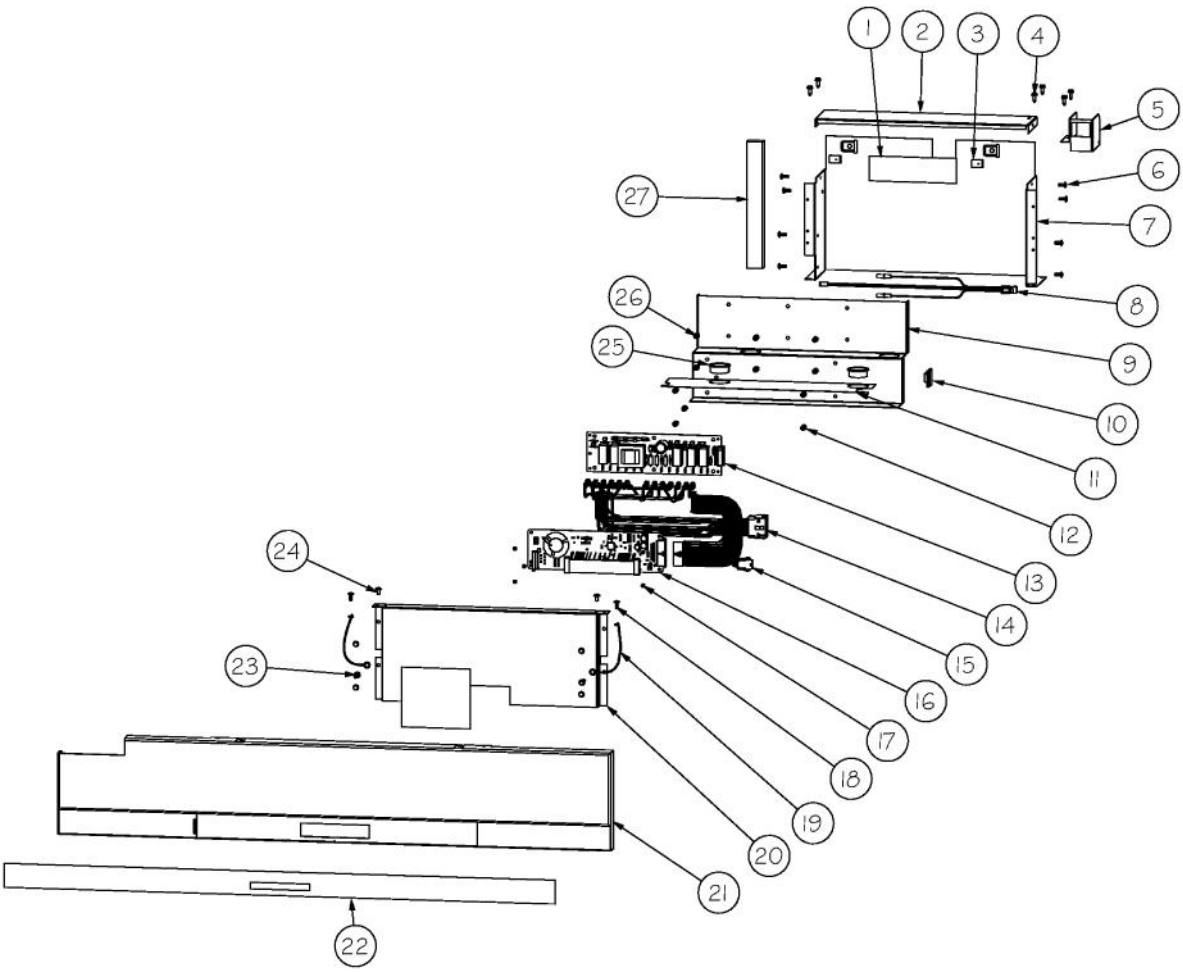


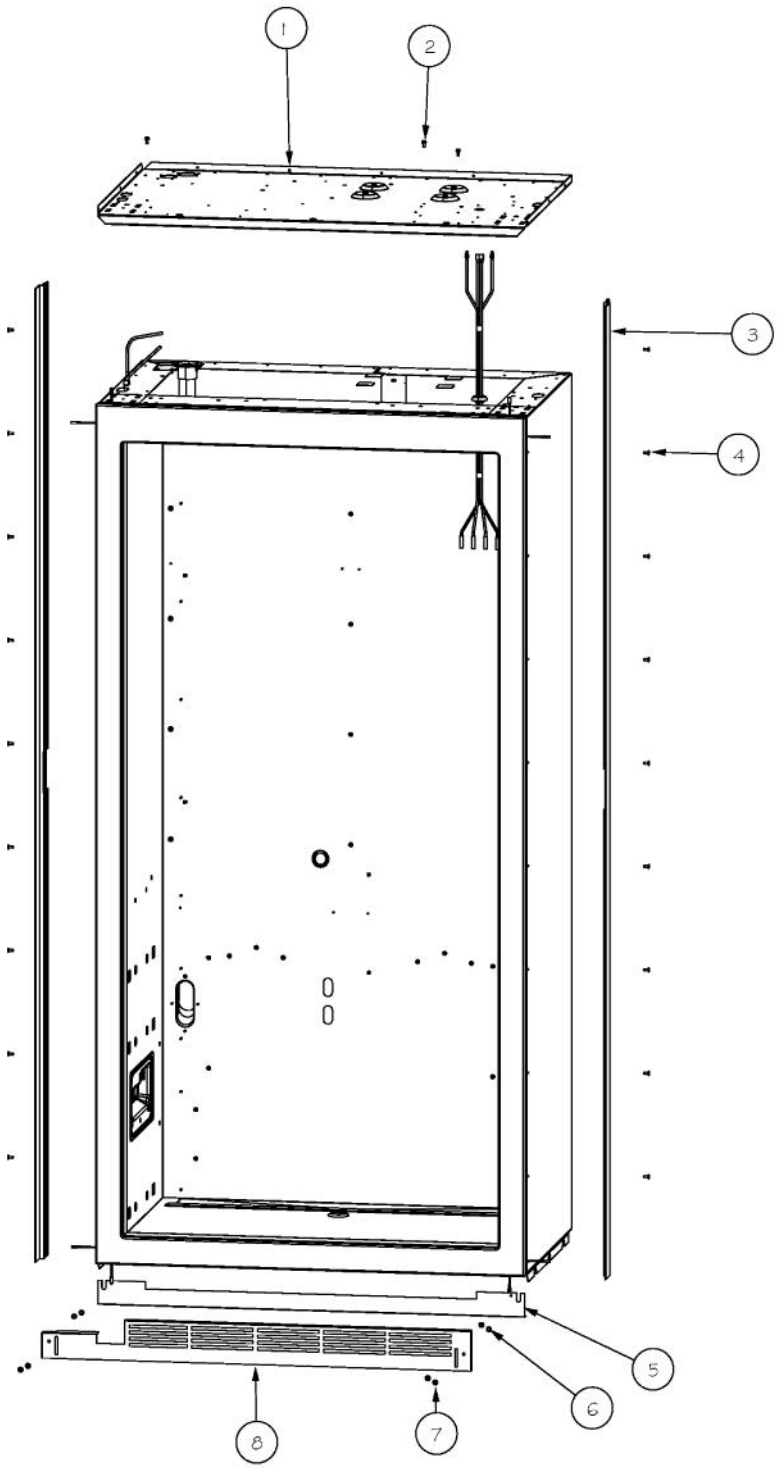
Ref #	Part Number	Qty.	Description
1	L20910705	1	BRACKET LIGHT AR 36
2	PE950125	6	LIGHT SOCKET
3	A3079001	6	LAMP - 40W
4	PD020194	22	SCREW-SM
5	PK930267	1	COVER LIGHT ASM AF AR BM 36
6	PM910411	6	SHELF WIRE AF 36
7	M0238535	12	SCREW-SM
8	PM910282	2	LADDER SIDE
9	PD950013	6	LATCH PANEL ACCESS
10	K20911929	1	BRACKET ICE SHELF R
11	PC080031	6	SLIDE 12 FULL EXTENSION
12	PD020032	18	SRW-8(A)X3/8PH.WFR HD 7/16DIAXNICL
13	B5733302	2	CLIP-GROUND
14	10270203	2	HOUSING-LIGHT V10270203
15	G50911176	2	BRKT SIDE GLIDE MOUNT ASM
16	G50911181	2	TRIM ASM SIDE AF 36 30
17	G50911195	2	DRAWER BASKET ASM AF 36
18	G50911189	1	DRAWER ICE ASM AF 36
19	G50911180	1	MOUNT IM ASM AF 36
20	PK930346	2	COVER LIGHT
21	G50911169	1	SHELF ICE ASM UPPER AF 36
22	K20911928	1	BRACKET ICE SHELF L
23	PM910285	1	LADDER CENTER



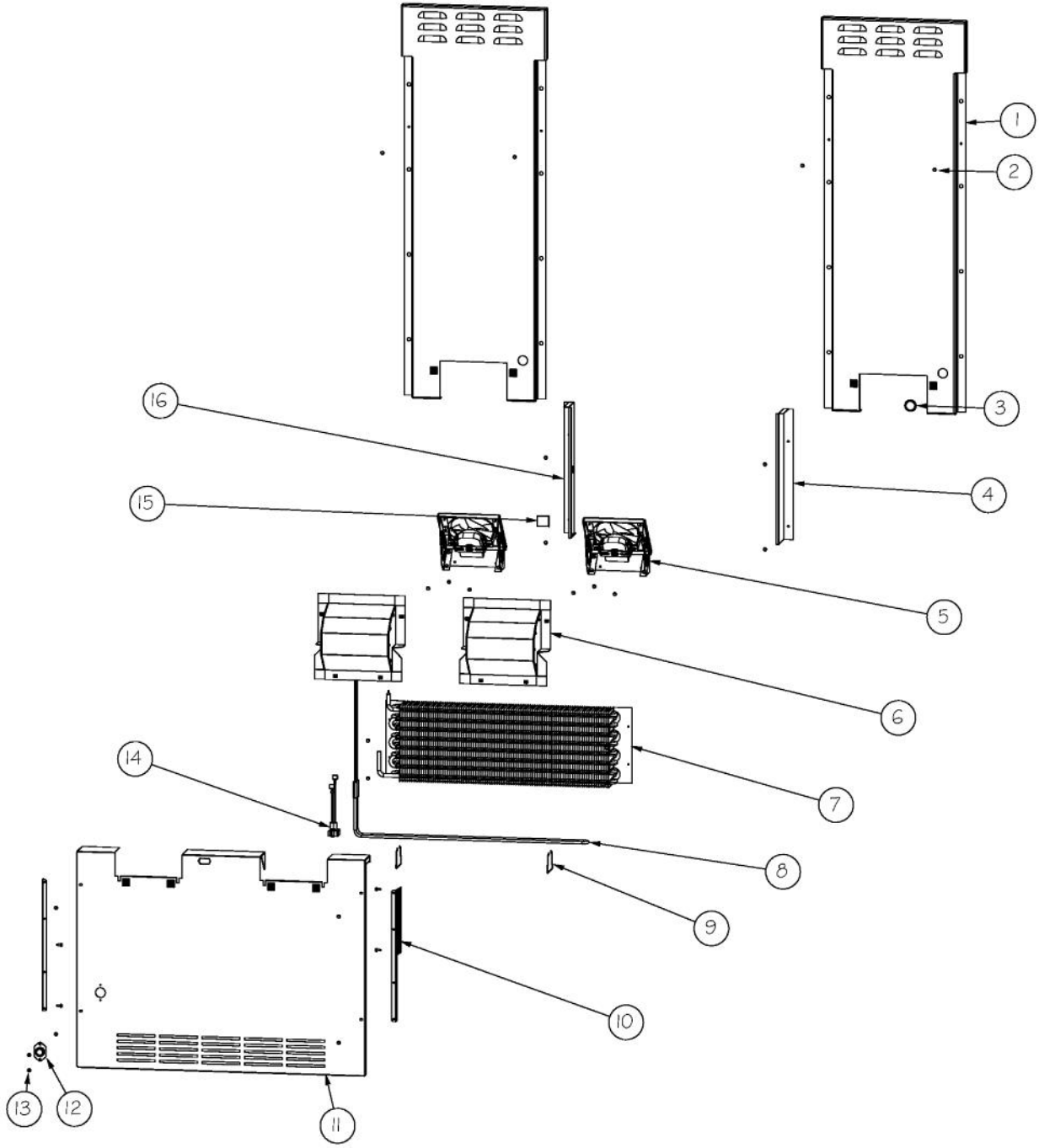
Ref #	Part Number	Qty.	Description
1	F2099937	1	TUBE FORMED HT EXCH AF 36
2	G5096494	1	COND. FAN ASSY
3	F2096507	1	TUBE-PROCESS GRN
4	PM010619	1	COMPRESSOR VCC
5	C8982701	1	LABEL-COMP WARN
6	F20910729	1	TUBE DISCHARGE FORMED AF AR 36
7	PD020194	17	SCREW-SM
8	PD030118	1	SCREW - SHLDR
9	M0104102	2	CLIP-CORD RED
10	M0221523	4	SCREW - SHLDR
11	10835901	4	GROMMET RUBBER V10835901
12	10916507B	1	CORD-POWER V10916507
13	10699601	2	DAMPER-TUBING .8
14	M0211014	1	SCREW-SM
15	PE950149	1	SWITCH POWER
16	K20912569	2	BRACKET GRILLE SUPPORT
17	K2096943	2	PANEL BRACKET
18	M0327801	1	SPLICE TAP
19	002574-000	1	INVERTER COMPRESSOR
20	PF930682	1	LABEL WARNING INVERTER
21	007407-000	2	RING,LOK, .187 DIA
22	K20912361	1	DIVERTER AIR HI SIDE 36
23	PC920194	1	HINGE ASSEM UPPER LH
24	000570-000	4	HEX SCREW
25	003325-000	1	TUBE DRIER COND.
26	F2097740	1	TUBE PROCESS
27	PM910381	1	DRIER - HIGH SIDE
28	10547001	1	CLIP-DRIER V10547001
29	PB920171	1	CONDENSER ASM
30	A3189370	2	GASKET-FOAM VA3189370



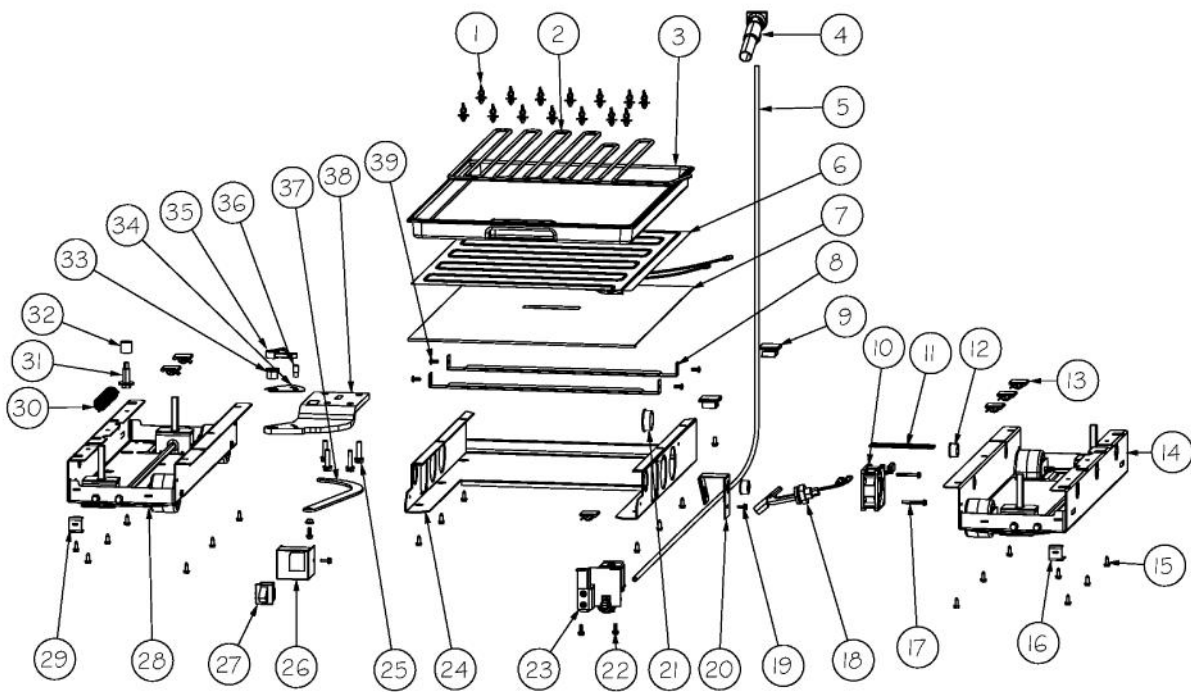
Ref #	Part Number	Qty.	Description
1	PF930672	2	LABEL DC COMPRESSOR
2	K20915000	1	CONTROL BOX TOP
3	M0288120	1	NUT-SPEED, VM0288120
4	PD020194	10	SCREW-SM
5	K2098654	1	BRACKET SWITCH POWER
6	PC040010	8	POP RIVET
7	K2099402	1	CONTROL BOX
8	PE970609	1	HARNESS CONTROL BOARD
9	K20910060	1	BRACKET - PC
10	M0104106	1	CLIP-CORD VM0104106
11	PM910325	1	FILM PROTECTIVE
12	M0585506	5	SUPPORT
13	PE970463	1	POWER CONTROL BOARD
14	PE070785	1	HARNESS HIGH VOLT
15	PE970464	1	HARNESS LOW VOLT
16	PE070728	1	BOARD LOW VOLTAGE
17	PD020013	4	TYPE AB NO.6 X 3/8 PH PAN HD. SMS
18	PC040010	2	POP RIVET
19	12064001	2	SUPP-CONT PANEL
20	K20910061	1	CONTROL BOX FRONT
21	PE940213	1	COVER CONTROL PANEL BM 362 LH
22	010495-000	1	OVERLAY SWITCH AF 36
23	M0238846	1	SCREW-SHLDR
24	M0224128	2	SCREW-SM
25	A4554817	2	BUSHING-SNAP VA4554817
26	M0585504	6	SUPPORT
27	A3030361	1	GASKET, RED



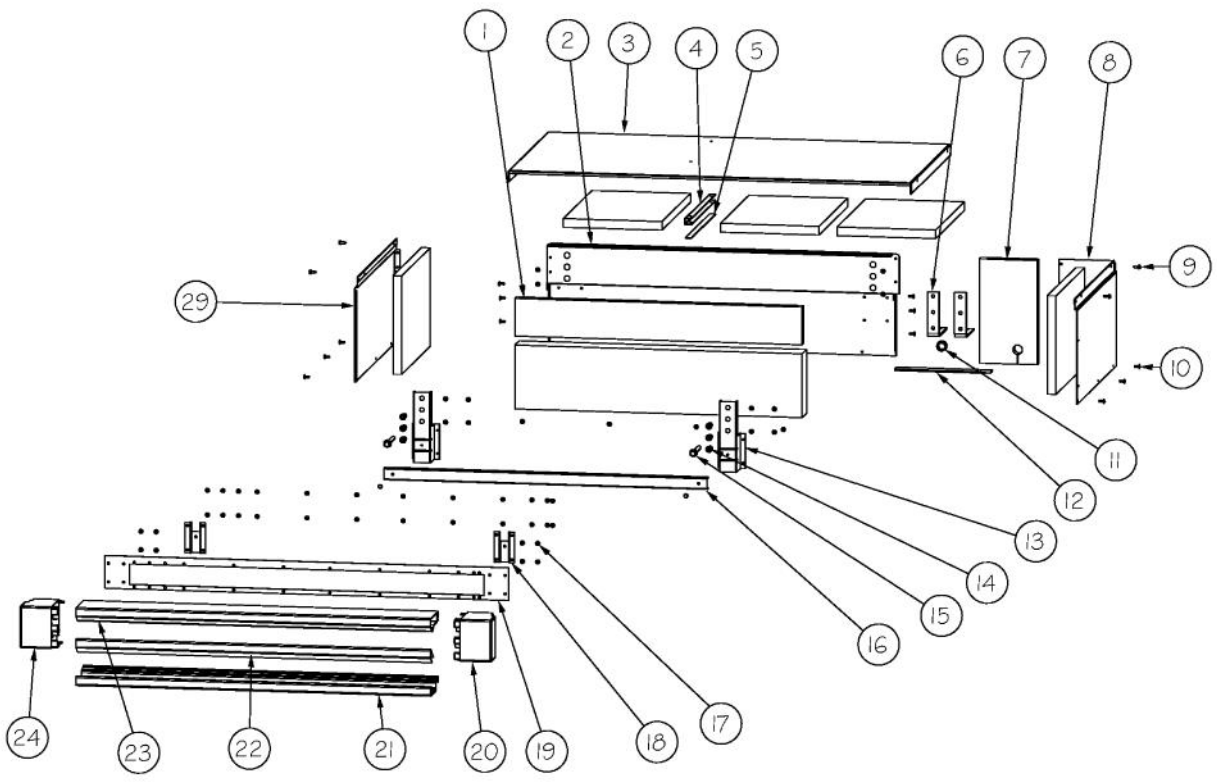
Ref #	Part Number	Qty.	Description
1	K2098345	1	OC TOP AF AR 36
2	PD020010	3	10 X 3/8 GREEN GROUNDING SCREW
3	PK910123	2	SIDE TRIM - PRO
4	M0215318	18	SCREW-SM
5	015559-002	1	SOLID, TOE, GRILLE, 36 AF, AR, BM
6	40370P01	4	NYLON FLAT WASHER V40370P01
7	M0210443	4	SCREW-E SM
8	015558-002	1	VENT, TOE, GRILLE, 36 AF, AR, R
NI	015557-002	1	VENT, TOE, GRILLE, 36 AF, AR, L
NI	015805-000	1	GRILLE, TOE, ASM, 36 AF, AR, R
NI	015806-000	1	GRILLE, TOE, ASM, 36 AF, AR, L



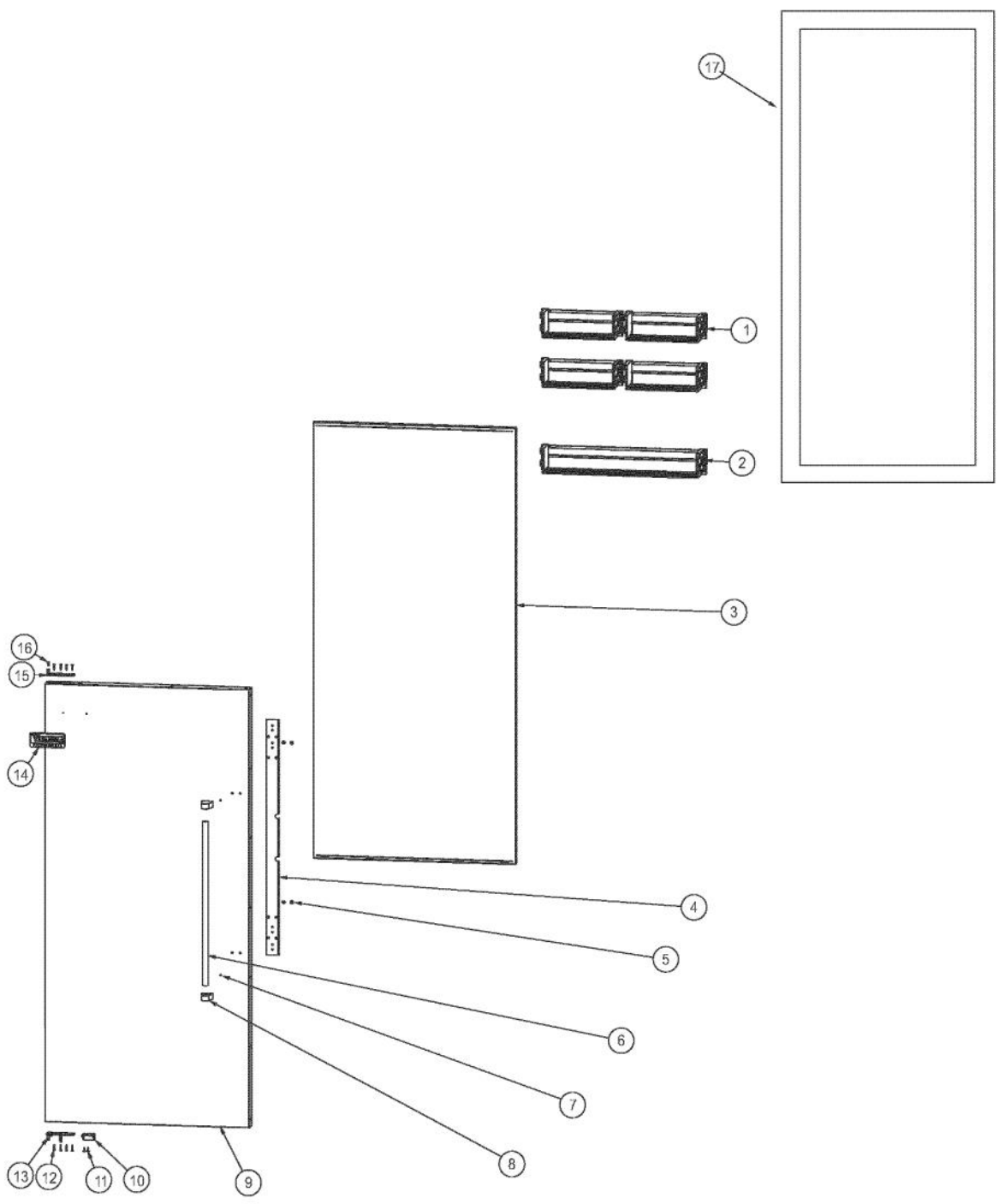
Ref #	Part Number	Qty.	Description
1	G50911183	2	COVER UPPER EVAP ASM AF 36
2	PD020194	24	SCREW-SM
3	PM910477	1	PLUG HOLE PLASTIC 1.00 DIA.
4	L20911339	1	DIVERTER AIR RT 36 AF
5	G50912354	2	FAN ASSEMBLY AF 36
6	G50911134	2	COVER ASM FAN EVAP AF 36
7	PM910454	1	EVAPORATOR AF 36
8	PJ910037	1	DEFROST HEATER AF 36
9	PM910468	2	CLIP EVAP HTR 36 30 AF
10	K2096461	2	BRKT-EVAP COVER 12234801
11	G50911182	1	COVER ASM LOWER EVAP AF 36
12	C8983701	1	THERMISTOR
13	M0211014	2	SCREW-SM
14	PB910259	1	THERMOSTAT DEFROST TERMINATOR
15	M0104102	1	CLIP-CORD RED
16	L20911338	1	DIVERTER AIR LFT 36 AF



Ref #	Part Number	Qty.	Description
1	PD030146	14	STAND OFF LOCK CLIP
2	F20915696	1	SERPENTINE CONDENSER DRAIN
3	PK930348	1	PAN DRAIN
4	10276601	1	ELBOW-FILLER TUBE
5	PB020304	1	PLASTIC TUBING-IM WATERLINE NON DISP (SXS & AF)
6	PE070707	1	PAN HEATER
7	L20914124	1	TRAY PAN HEATER
8	K20911831	2	BRACKET CONDENSATE SUPPORT
9	M0104102	2	CLIP-CORD RED
10	000731-000	1	AXIAL FAN
11	PF930654	1	LABEL CONDENSATE FAN SERVICE
12	A4554806	2	BUSHING-SNAP VA4554806
13	M0104106	6	CLIP-CORD VM0104106
14	PM910398	1	LEVELER ASSEMBLY - R
15	PD020194	20	SCREW-SM
16	K2098044	1	BRKT GRILLE SUPPORT
17	PD020274	2	SCR SLTD HEX WSHR HD 8X1.250 BT
18	PE050248	1	FLOAT SWITCH HORIZONTAL
19	M0253916	1	SCREW-TF
20	B20915627	1	BRACKET HORIZ FLOAT SWITCH
21	A4554817	1	BUSHING-SNAP VA4554817
22	M0220417	4	SCREW-TC
23	G32913789	1	BRKT & VALVE H2O SNGL ASM
24	K20915952	1	SHIELD BOTTOM DRAIN
25	000570-000	4	HEX SCREW
26	002668-000	1	SWITCH,GRILLE,MT,LH
27	PE950146	1	SWITCH SPDT BLACK
28	PM910399	1	LEVELER MODULE L
29	K2098096	1	BRKT GRILLE SUPPORT
30	PC910015	1	SPRING EXTENSION
31	M0221523	1	SCREW - SHLDR
32	PD940107	1	ROUND SPRING SPACER
33	PD940090	1	BUSHING - WC DOOR LEVEL
34	PC920144	1	PLATE - WC DOOR SHIM
35	PD940091	1	BUSHING - DOOR STOP
36	PC920145	1	PIN - DOOR STOP
37	PC920149	1	BAR-WC BOT HINGE LH
38	PC920214	1	HINGE PLATE SXS LL
39	PC040010	4	POP RIVET
NI	PK930424	1	VALVE POP UP ASM



Ref #	Part Number	Qty.	Description
1	PB070358	1	INSULATION MC COVER
2	K2099933	1	MC BACK 36
3	K2099931	1	MC TOP 36
4	K2099455	1	SUPPORT MC Z
5	G5099929	1	MC COVER COMPLETE ASM
6	PK910089	2	BRACKET, ANTI - TIP
7	PB970171	1	MC INSULATION - BACK SIDE
8	K2099459	1	MC SIDE R
9	PD020194	34	SCREW-SM
10	PC040010	28	POP RIVET
11	A4554806	1	BUSHING-SNAP VA4554806
12	PF930523	2	GRILL BLADE LABEL (REFRIGERATOR)
13	K20915675	2	BRACKET PSM
14	PD040157	4	BEARING SLEEVE
15	PD020233	2	SCR LAG 5/16-9 GX 5/16X7/16 WAF IHXW 3 S ZN
16	K20915902	1	CROSSMEMBER PSM 36
17	M0253916	8	SCREW-TF
18	PK050004	2	BRACKET GRILLE
19	003257-000	1	PLATE,BACK,GRILLE
20	003260-000	1	ENDCAP,PRO,RH
21	003268-000	1	EXTRUSION,LOUVER,BOTTOM
22	003201-000	1	EXTRUSION,LOUVER,MIDDLE
23	003200-000	1	EXTRUSION,LOUVER,TOP
24	003274-000	1	ENDCAP,PRO,LH,HINGE
29	K2099460	1	MC SIDE L



Ref #	Part Number	Qty.	Description
1	G5099906	4	DOORBIN ASM AF 36 HALF
2	G5099905	1	DOORBIN ASM AF 36 FULL
3	K20915619	1	PAN DOOR 36
4	013327-000	1	BRACKET,HDL,DES
5	M0204303	4	SCREW-MACH
6	012891-000	1	HANDLE,PRO
NI	014494-100	1	HANDLE,ASM,SXS AF AR BRASS ACCENT
7	N/A	1	HEAT SHIELD - MUST ORDER ITEM NO. 11
8	000268-100	2	HANDLE ENDCAP BRASS
9	009232-000	1	SKIN,ASM,AF AR 36 PRO LH SS
NI	009229-002	1	SKIN, DOOR, AF AR 36 PRO LH BK
NI	009229-003	1	SKIN, DOOR, AF AR 36 PRO LH BT
NI	009229-004	1	SKIN, DOOR, AF AR 36 PRO LH SG
NI	009229-005	1	SKIN, DOOR, AF AR 36 PRO LH GG
NI	009229-006	1	SKIN, DOOR, AF AR 36 PRO LH WH
NI	009229-007	1	SKIN, DOOR, AF AR 36 PRO LH AL
NI	009229-008	1	SKIN, DOOR, AF AR 36 PRO LH BU
NI	009229-009	1	SKIN, DOOR, AF AR 36 PRO LH LE
NI	009229-010	1	SKIN, DOOR, AF AR 36 PRO LH MJ
NI	009229-011	1	SKIN, DOOR, AF AR 36 PRO LH FG
NI	009229-012	1	SKIN, DOOR, AF AR 36 PRO LH VB
NI	009229-013	1	SKIN, DOOR, AF AR 36 PRO LH CB
NI	009229-014	1	SKIN, DOOR, AF AR 36 PRO LH EP
NI	009229-015	1	SKIN, DOOR, AF AR 36 PRO LH PL
NI	009229-016	1	SKIN, DOOR, AF AR 36 PRO LH CH
NI	009229-017	1	SKIN, DOOR, AF AR 36 PRO LH TP
NI	009229-018	1	SKIN, DOOR, AF AR 36 PRO LH CW
NI	009229-019	1	SKIN, DOOR, AF AR 36 PRO LH OG
NI	009229-020	1	SKIN, DOOR, AF AR 36 PRO LH GM
NI	009229-021	1	SKIN, DOOR, AF AR 36 PRO LH SA
NI	009229-022	1	SKIN, DOOR, AF AR 36 PRO LH SE
NI	009229-023	1	SKIN, DOOR, AF AR 36 PRO LH IB
NI	009229-024	1	SKIN, DOOR, AF AR 36 PRO LH AR
NI	009229-025	1	SKIN, DOOR, AF AR 36 PRO LH RR
NI	009229-026	1	SKIN, DOOR, AF AR 36 PRO LH PM
NI	009229-027	1	SKIN, DOOR, AF AR 36 PRO LH MS
NI	009230-002	1	SKIN, DOOR, AF AR 36 PRO RH BK
NI	009230-003	1	SKIN, DOOR, AF AR 36 PRO RH BT
NI	009230-004	1	SKIN, DOOR, AF AR 36 PRO RH SG
NI	009230-005	1	SKIN, DOOR, AF AR 36 PRO RH GG
NI	009230-006	1	SKIN, DOOR, AF AR 36 PRO RH WH
NI	009230-007	1	SKIN, DOOR, AF AR 36 PRO RH AL
NI	009230-008	1	SKIN, DOOR, AF AR 36 PRO RH BU
NI	009230-009	1	SKIN, DOOR, AF AR 36 PRO RH LE
NI	009230-010	1	SKIN, DOOR, AF AR 36 PRO RH MJ
NI	009230-011	1	SKIN, DOOR, AF AR 36 PRO RH FG
NI	009230-012	1	SKIN, DOOR, AF AR 36 PRO RH VB
NI	009230-013	1	SKIN, DOOR, AF AR 36 PRO RH CB
NI	009230-014	1	SKIN, DOOR, AF AR 36 PRO RH EP
NI	009230-015	1	SKIN, DOOR, AF AR 36 PRO RH PL
NI	009230-016	1	SKIN, DOOR, AF AR 36 PRO RH CH
NI	009230-017	1	SKIN, DOOR, AF AR 36 PRO RH TP
NI	009230-018	1	SKIN, DOOR, AF AR 36 PRO RH CW
NI	009230-019	1	SKIN, DOOR, AF AR 36 PRO RH OG
NI	009230-020	1	SKIN, DOOR, AF AR 36 PRO RH GM
NI	009230-021	1	SKIN, DOOR, AF AR 36 PRO RH SA
NI	009230-022	1	SKIN, DOOR, AF AR 36 PRO RH SE
NI	009230-023	1	SKIN, DOOR, AF AR 36 PRO RH IB
NI	009230-024	1	SKIN, DOOR, AF AR 36 PRO RH AR
NI	009230-025	1	SKIN, DOOR, AF AR 36 PRO RH RR

Ref #	Part Number	Qty.	Description
NI	009230-025	1	SKIN, DOOR, AF AR 36 PRO RH RR
NI	009230-026	1	SKIN, DOOR, AF AR 36 PRO RH PM
NI	009230-027	1	SKIN, DOOR, AF AR 36 PRO RH MS
10	PD050019	1	STRIKER DOOR SWITCH
11	M0210458	2	SCREW-SM
12	PD920174	8	10-32 TORX HEAD SCREW
13	PC020277	1	PIVOT PL ASM LH LW PRO/DES
NI	PC020276	1	PIVOT PL ASM RH LW PRO/DES
14	PE010030	1	LOGO, 6, PRO, BK
15	PC020279	1	PIVOT PL ASM LH UP PRO/DES
NI	PC020278	1	PIVOT PL ASM RH UP PRO/DES
16	PD020234	1	SCREW THP 10-32 X .500 SS BO
17	005447-000	1	GASKET,ASM,36,AFAR

*No Image
Available*

Ref #	Part Number	Qty.	Description
NI	044042-000	1	ALL FREEZER FLOAT SWITCH WIRING KIT (FOR UNITS MANUFACTURED BEFORE 1/9/13)